



US00D536781S

(12) **United States Design Patent**  
**Yanes et al.**

(10) **Patent No.:** **US D536,781 S**

(45) **Date of Patent:** **\*\* Feb. 13, 2007**

(54) **BATTERY-POWERED VACUUM PUMP WITH FILTER FOR SUCTIONING MUCUS FROM INFANT NASAL PASSAGES**

(76) Inventors: **Gayle Yanes**, 9724 NW. 59th Pl., Gainesville, FL (US) 32653; **Dale Yanes**, 9724 NW. 59th Pl., Gainesville, FL (US) 32653

(\*\*) Term: **14 Years**

(21) Appl. No.: **29/228,705**

(22) Filed: **Apr. 28, 2005**

(51) **LOC (8) Cl.** ..... **24-01**

(52) **U.S. Cl.** ..... **D24/108; D24/111; D24/112**

(58) **Field of Classification Search** ..... D24/108, D24/111, 112; 604/326, 315, 35, 323, 73; 606/199

See application file for complete search history.

(56) **References Cited**

**U.S. PATENT DOCUMENTS**

3,756,244	A	9/1973	Kinnear et al.	
4,466,973	A	8/1984	Rennie	
4,995,386	A *	2/1991	Ng	604/319
5,024,218	A	6/1991	Ovassapian et al.	
5,458,138	A *	10/1995	Gajo	604/319
5,776,119	A *	7/1998	Bilbo et al.	604/326
6,135,980	A *	10/2000	Vu	604/73
D438,612	S *	3/2001	Suh	D24/108

2003/0212374 A1 \* 11/2003 Gusler ..... 604/326

\* cited by examiner

*Primary Examiner*—Ian Simmons

*Assistant Examiner*—W. Laymon

(74) *Attorney, Agent, or Firm*—Donald R. Schoonover

(57) **CLAIM**

We claim the ornamental design for a battery-powered vacuum pump with filter for suctioning mucus from infant nasal passages, as shown and described.

**DESCRIPTION**

FIG. 1 is a perspective view of a battery-powered vacuum pump with filter for suctioning mucus from infant nasal passages showing our new design, with the tube portion shown in broken in the center to indicate indeterminate length;

FIG. 2 is a front elevational view thereof;

FIG. 3 is a rear elevational view thereof;

FIG. 4 is a left side elevational view thereof;

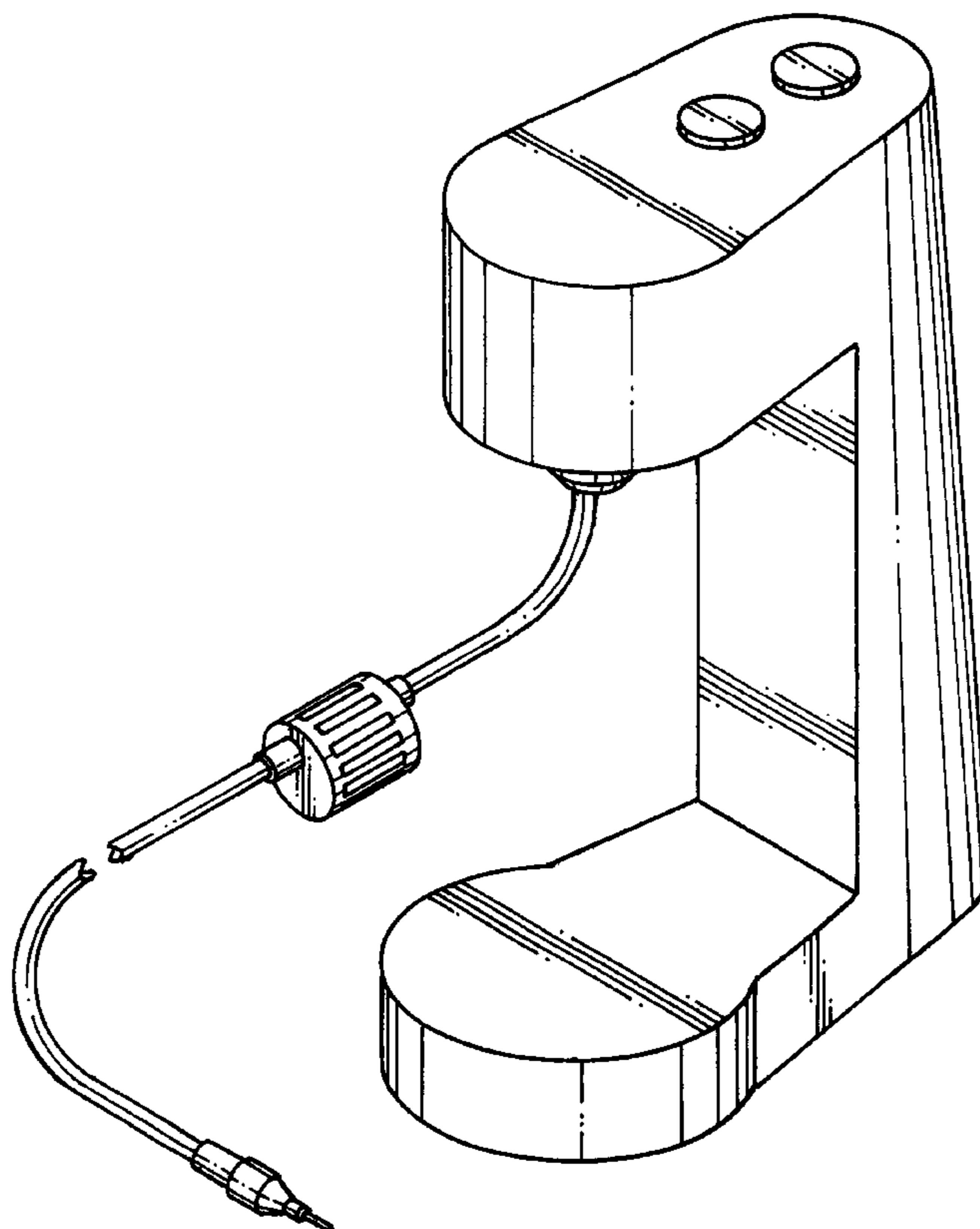
FIG. 5 is a right side elevational view thereof;

FIG. 6 is a top plan view thereof;

FIG. 7 is a bottom plan view thereof; and,

FIG. 8 is a reduced perspective view showing the battery-powered vacuum pump with filter for suctioning mucus from infant nasal passages; the broken lines depict environmental structure for illustrative purposes only and form no part of the claimed design.

**1 Claim, 5 Drawing Sheets**



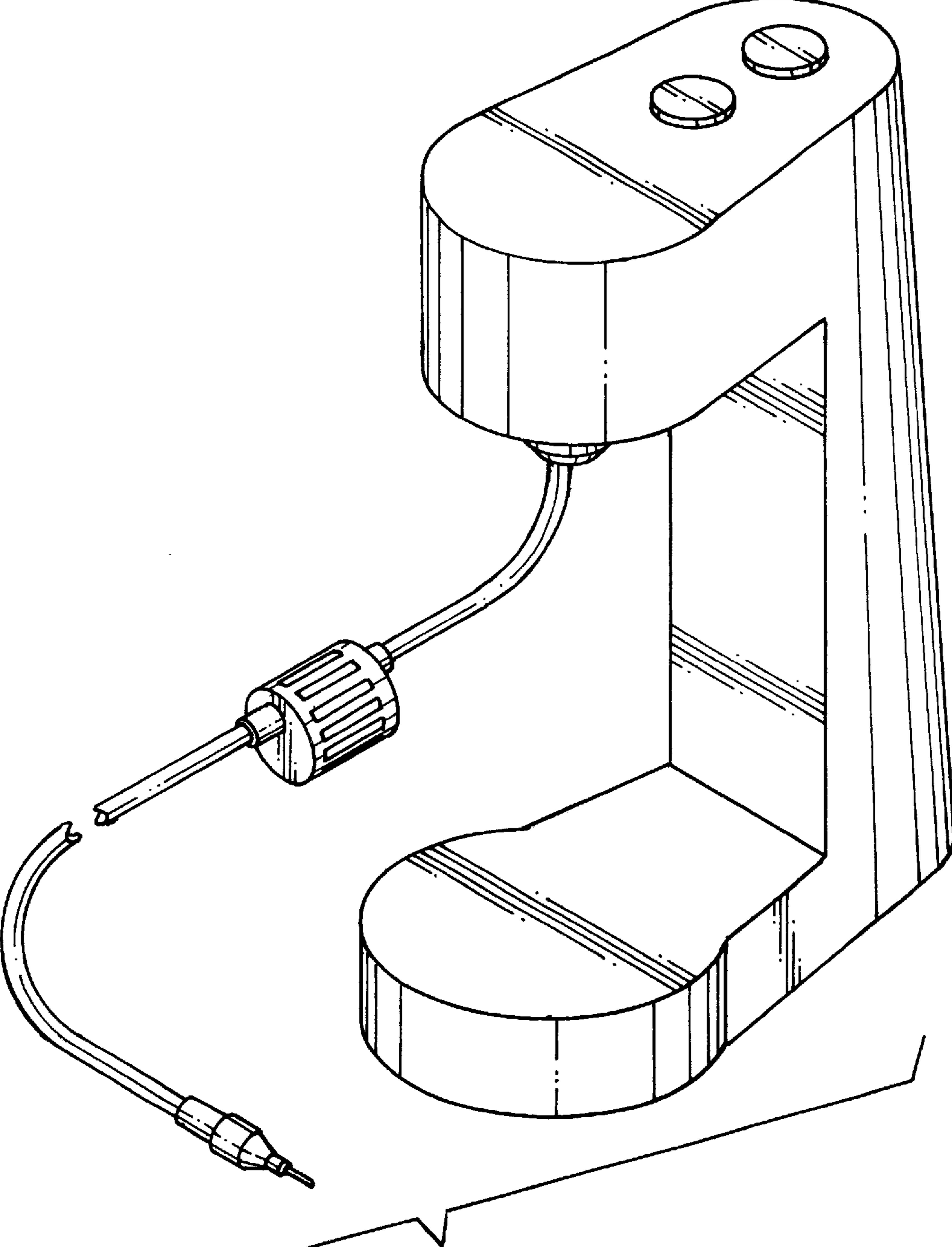
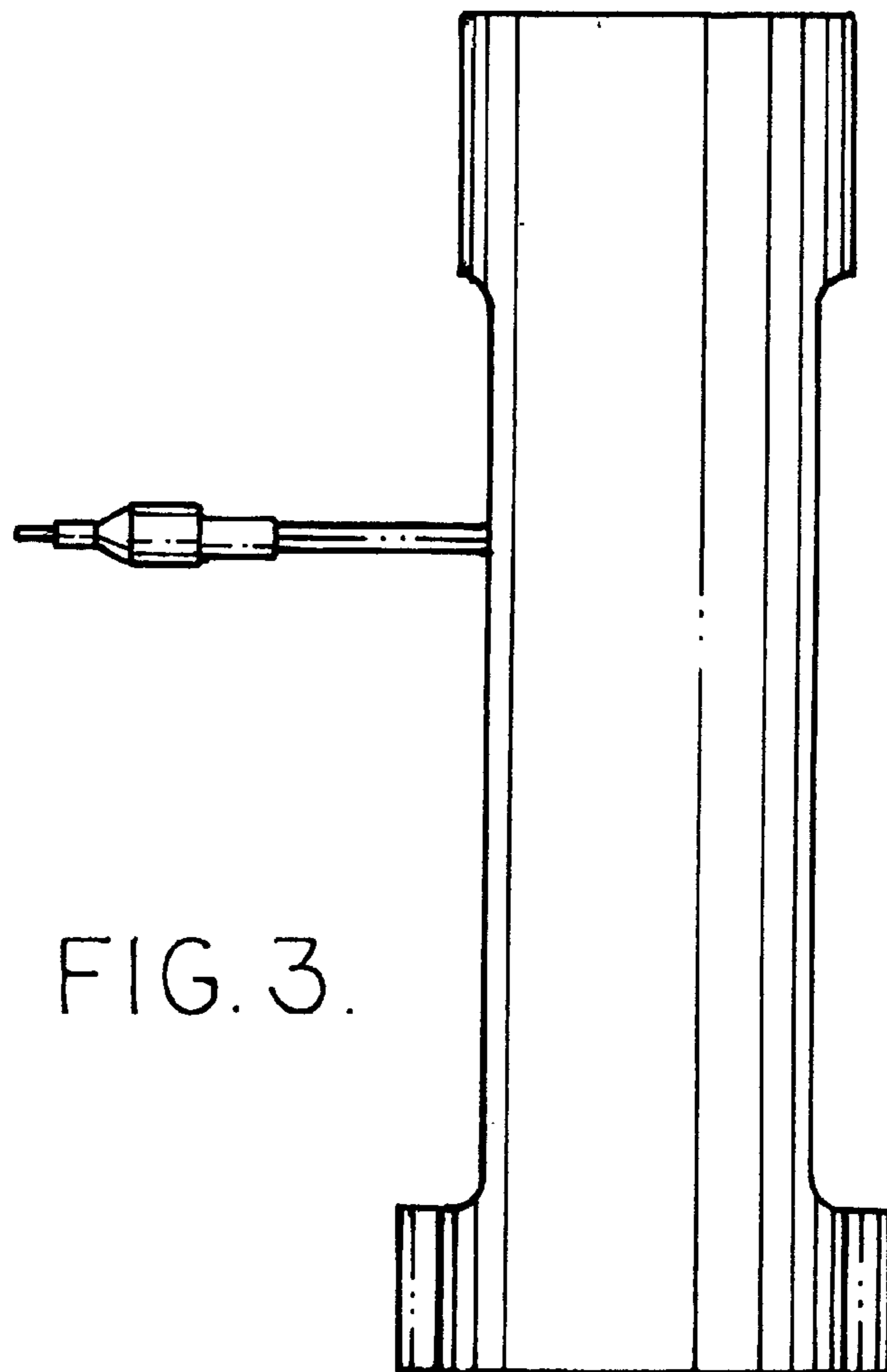
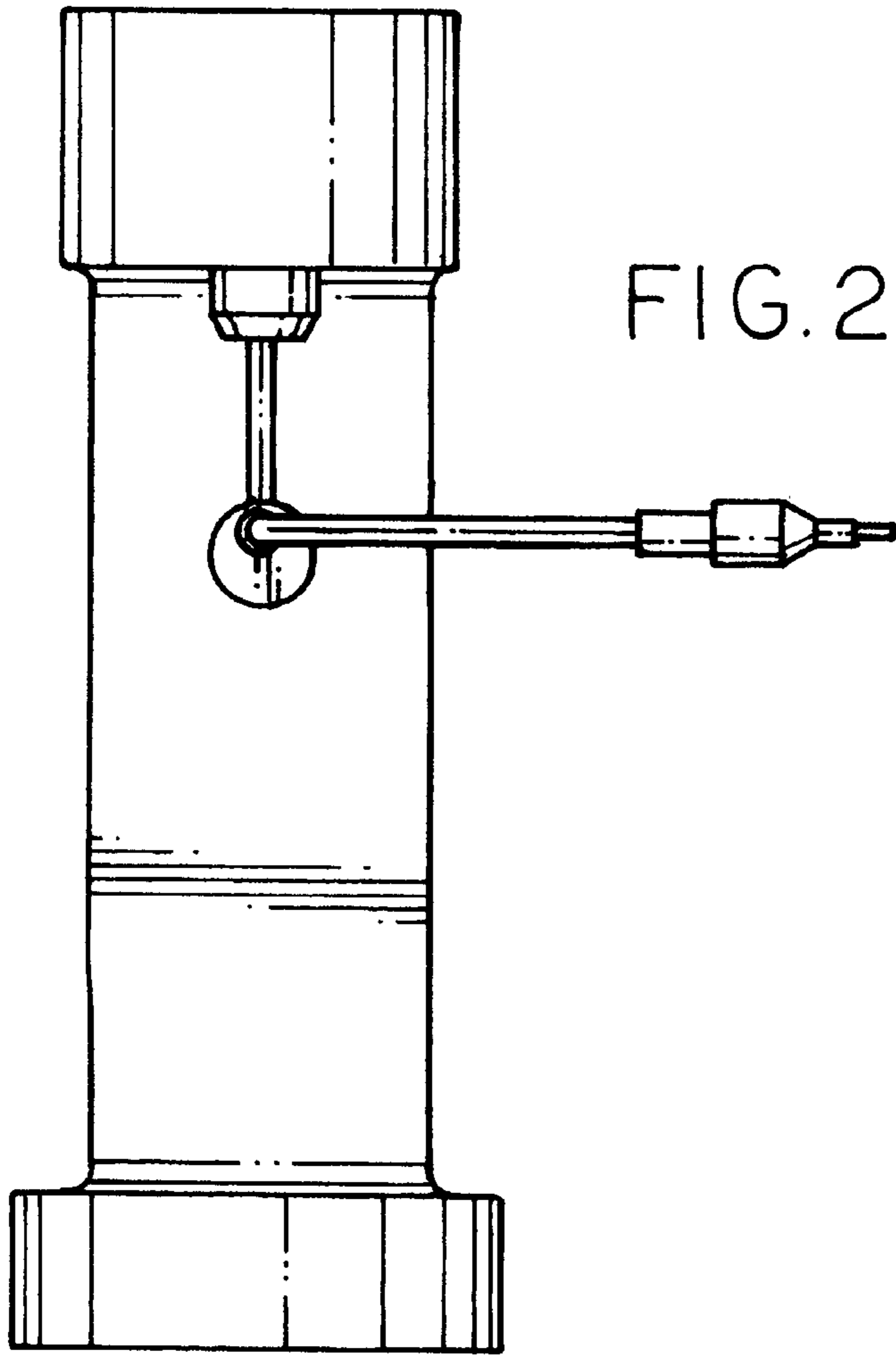
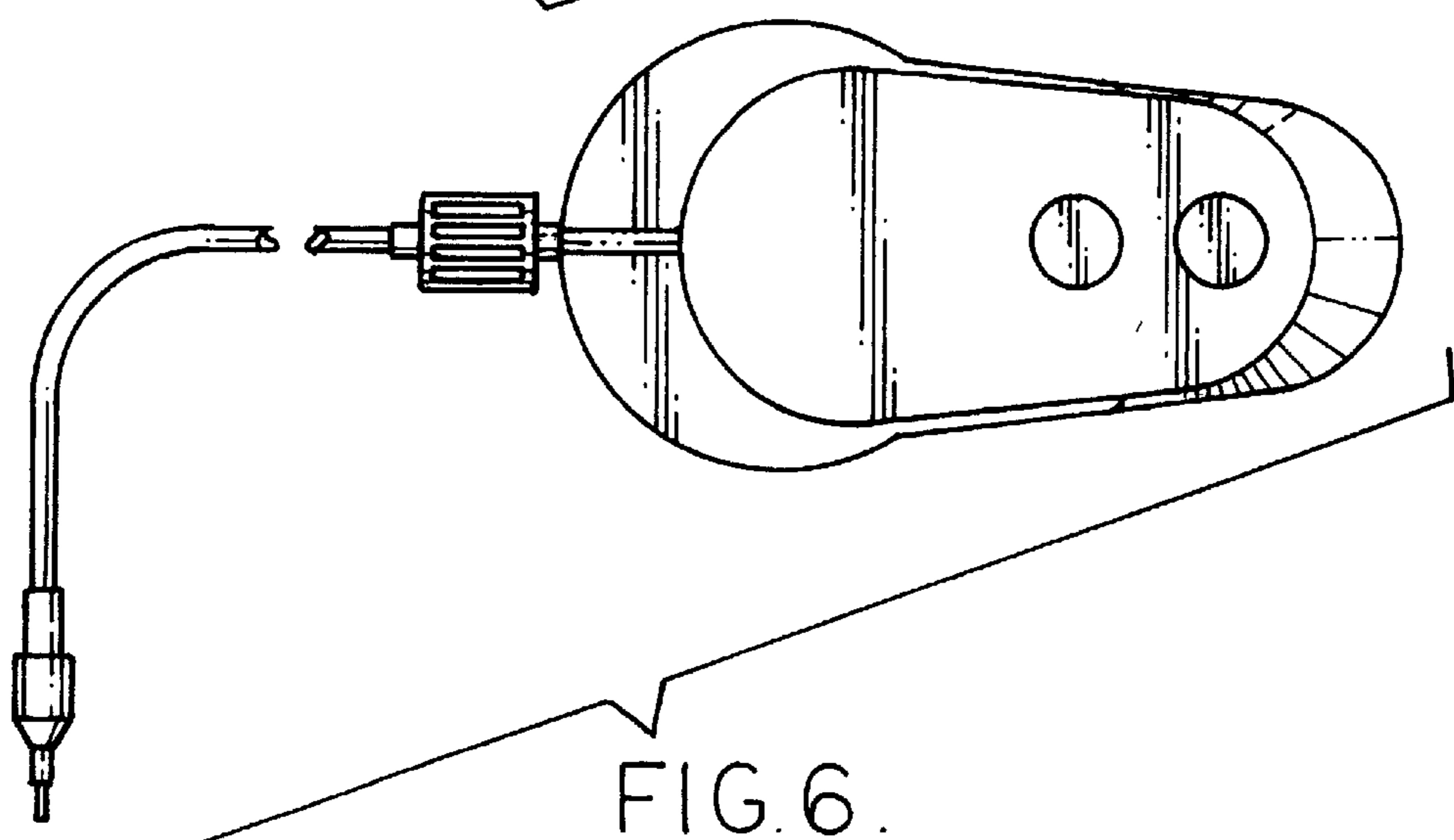
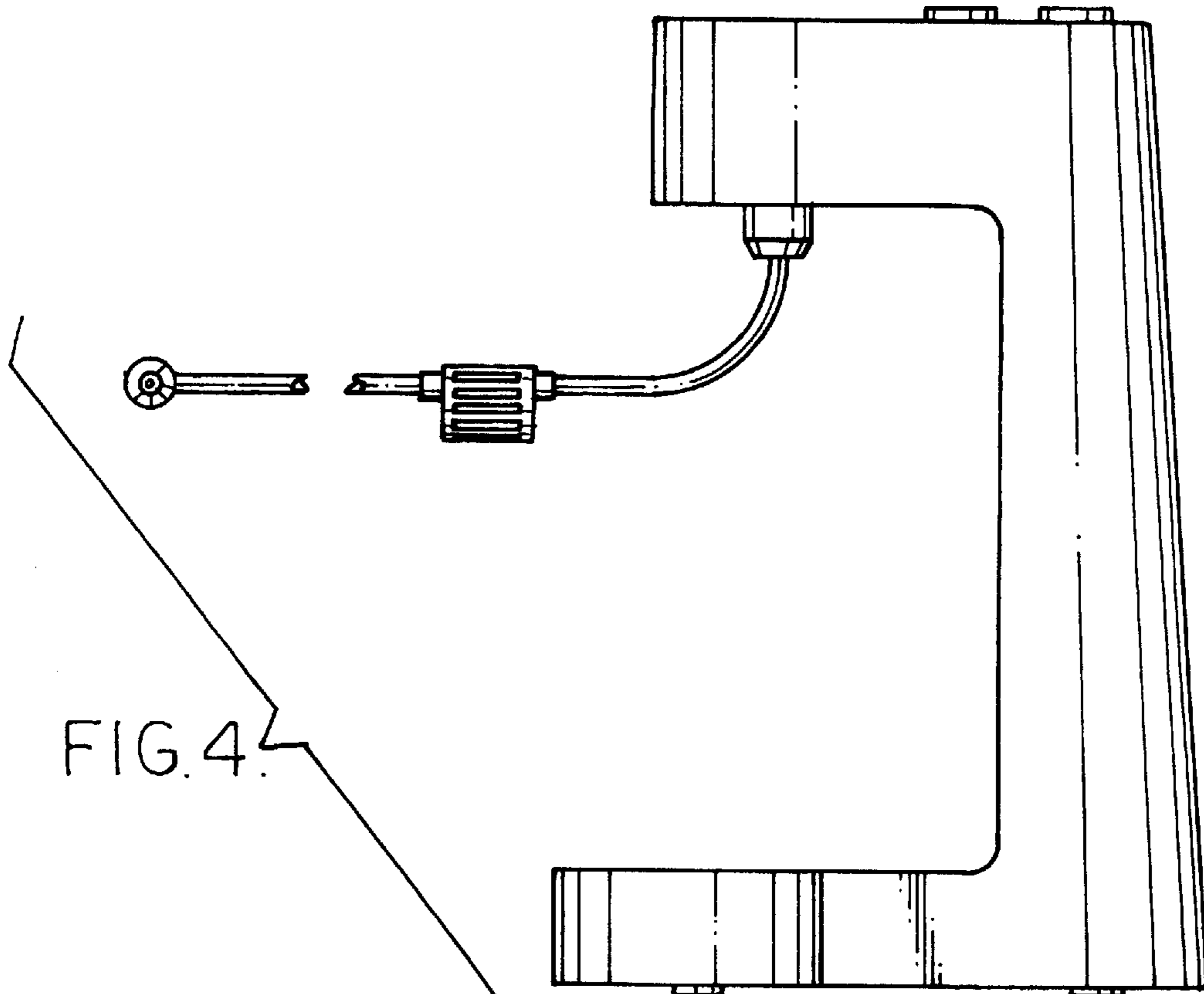
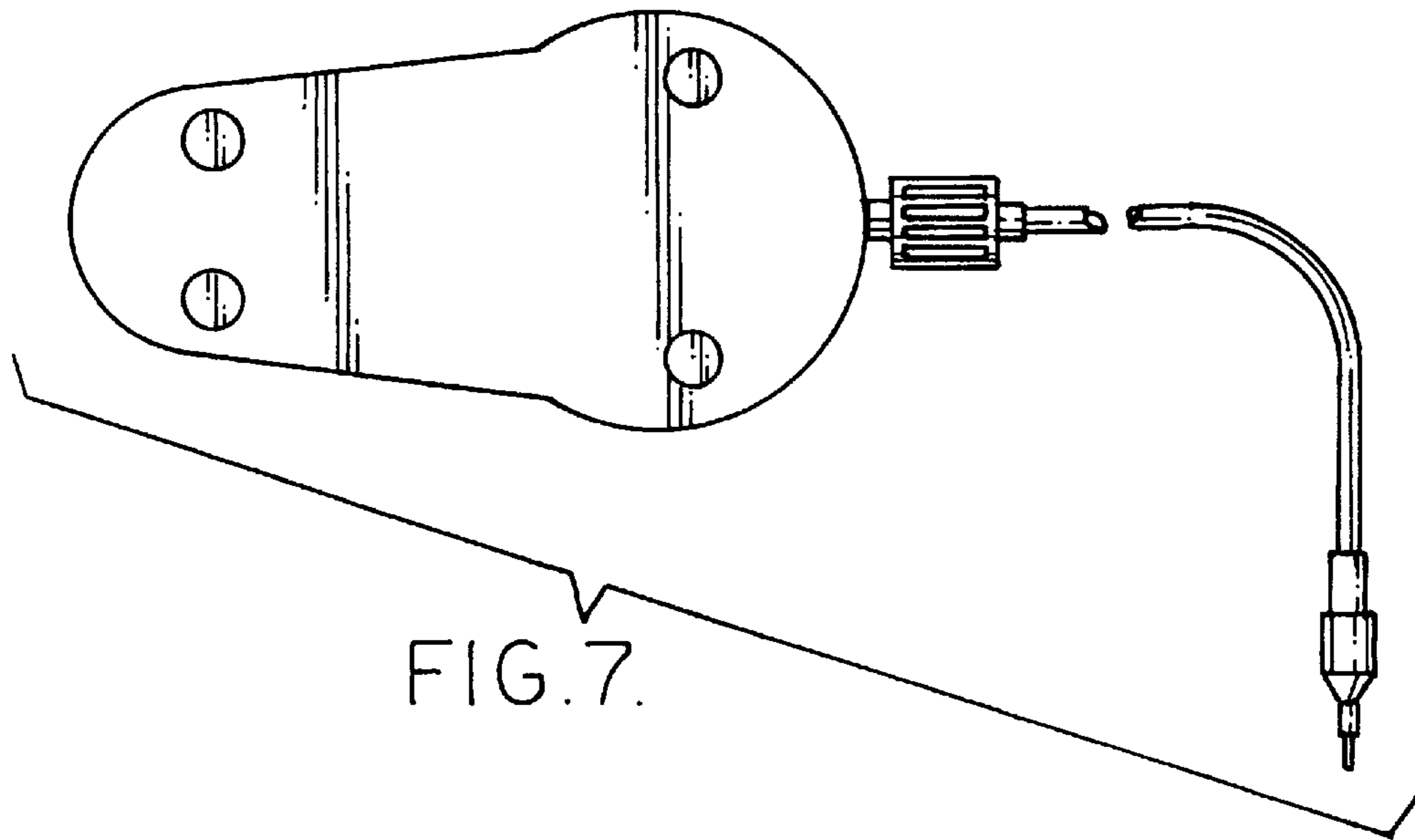
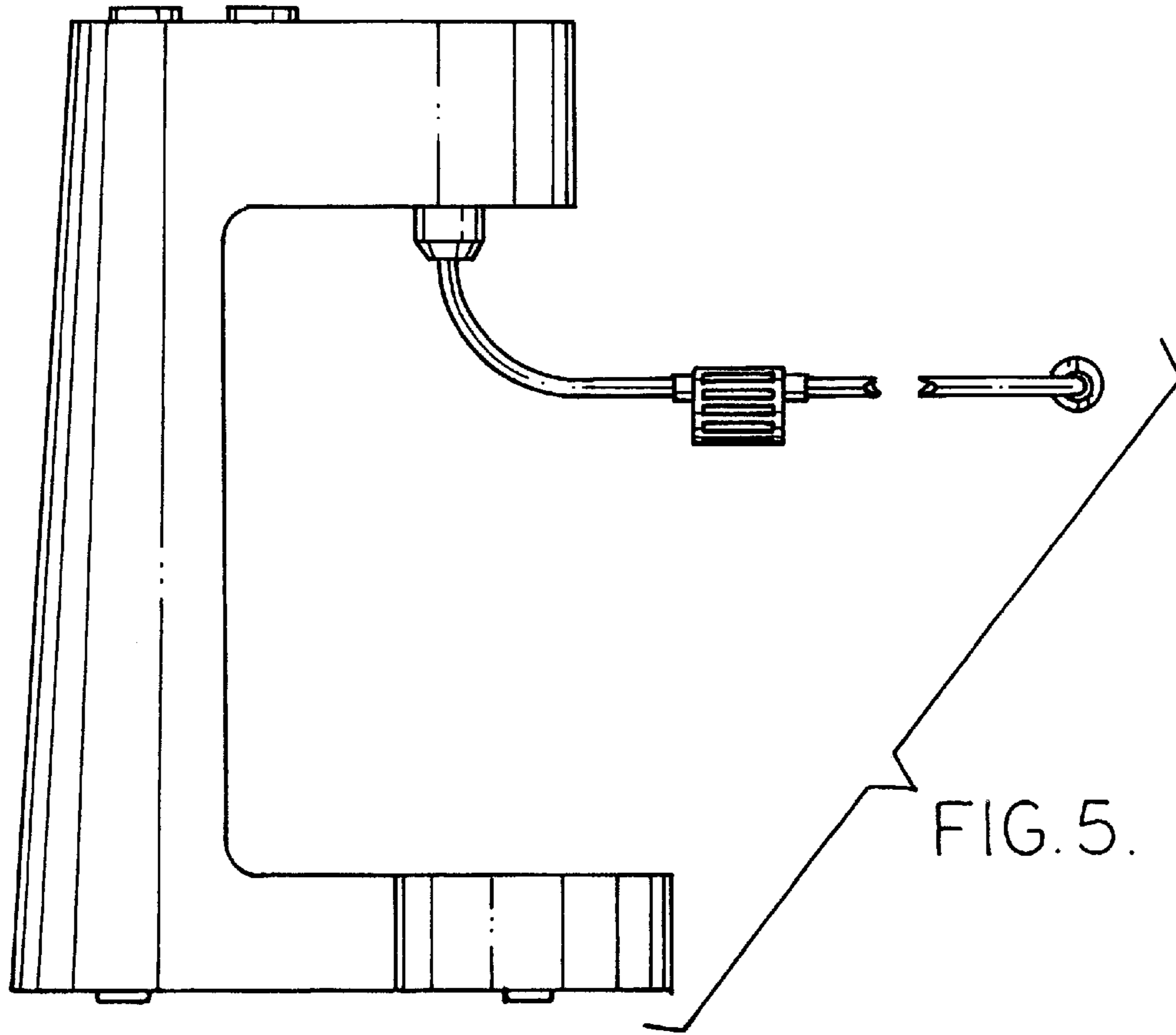


FIG. 1.







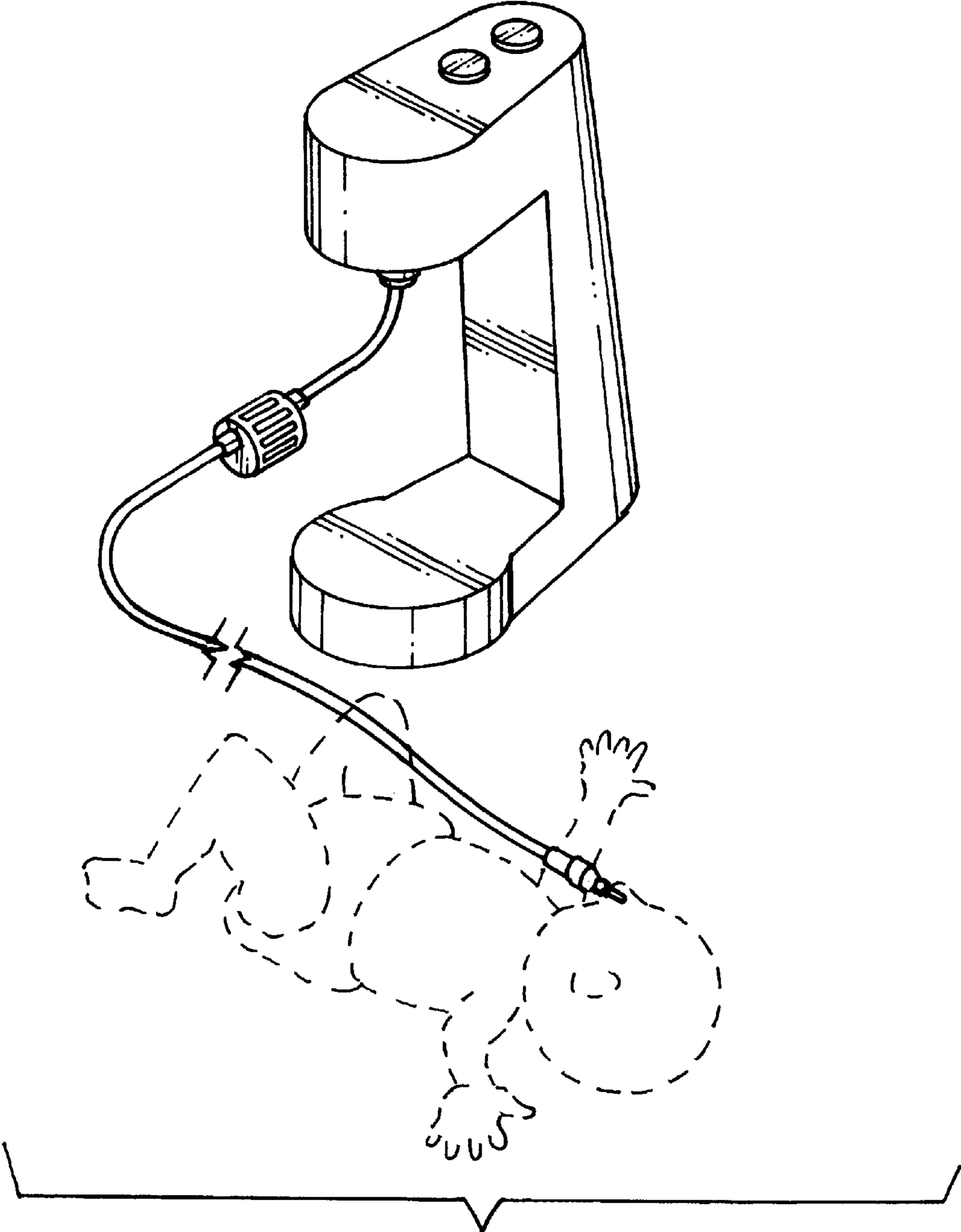


FIG. 8.