



US00D536779S

(12) **United States Design Patent**
Lerche et al.

(10) **Patent No.:** **US D536,779 S**

(45) **Date of Patent:** **** Feb. 13, 2007**

(54) **VENTILATION APPARATUS**

(75) Inventors: **Ulrich Lerche**, Michelfeld (DE);
Robert Dent, Schwabisch Hall (DE)

(73) Assignee: **Stego-Holding GmbH**, Schwäbisch
Hall (DE)

(**) Term: **14 Years**

(21) Appl. No.: **29/235,356**

(22) Filed: **Aug. 1, 2005**

(30) **Foreign Application Priority Data**

Feb. 9, 2005 (EM) 000292933-0001/0006

(51) **LOC (8) Cl.** **23-04**

(52) **U.S. Cl.** **D23/393**

(58) **Field of Classification Search** D23/364,
D23/337, 355, 354, 393, 388, 386, 317, 325,
D23/326, 328, 342, 356, 359, 360, 366, 370,
D23/353, 351, 335; 454/193, 198; 392/368;
62/262

See application file for complete search history.

(56) **References Cited**

U.S. PATENT DOCUMENTS

3,725,640 A * 4/1973 Kunz 392/368
D291,484 S * 8/1987 Stutzer et al. D23/364
D333,866 S * 3/1993 Wang D23/335
D376,418 S * 12/1996 Wang D23/337

D393,704 S * 4/1998 Chiu et al. D23/364
D400,239 S * 10/1998 Miller et al. D23/355
D414,853 S * 10/1999 Hyon D23/353
6,022,270 A * 2/2000 Bascaran et al. D23/354
6,082,127 A * 7/2000 Correa 62/262
6,321,034 B2 * 11/2001 Jones-Lawlor et al. D23/335
D497,420 S * 10/2004 Grey D23/351
D508,118 S * 8/2005 Motonishi et al. D23/351
D521,132 S * 5/2006 Blateri D23/335

* cited by examiner

Primary Examiner—Louis Zarfaz

Assistant Examiner—David Muller

(74) *Attorney, Agent, or Firm*—Akin Gump Strauss Hauer
& Feld, LLP

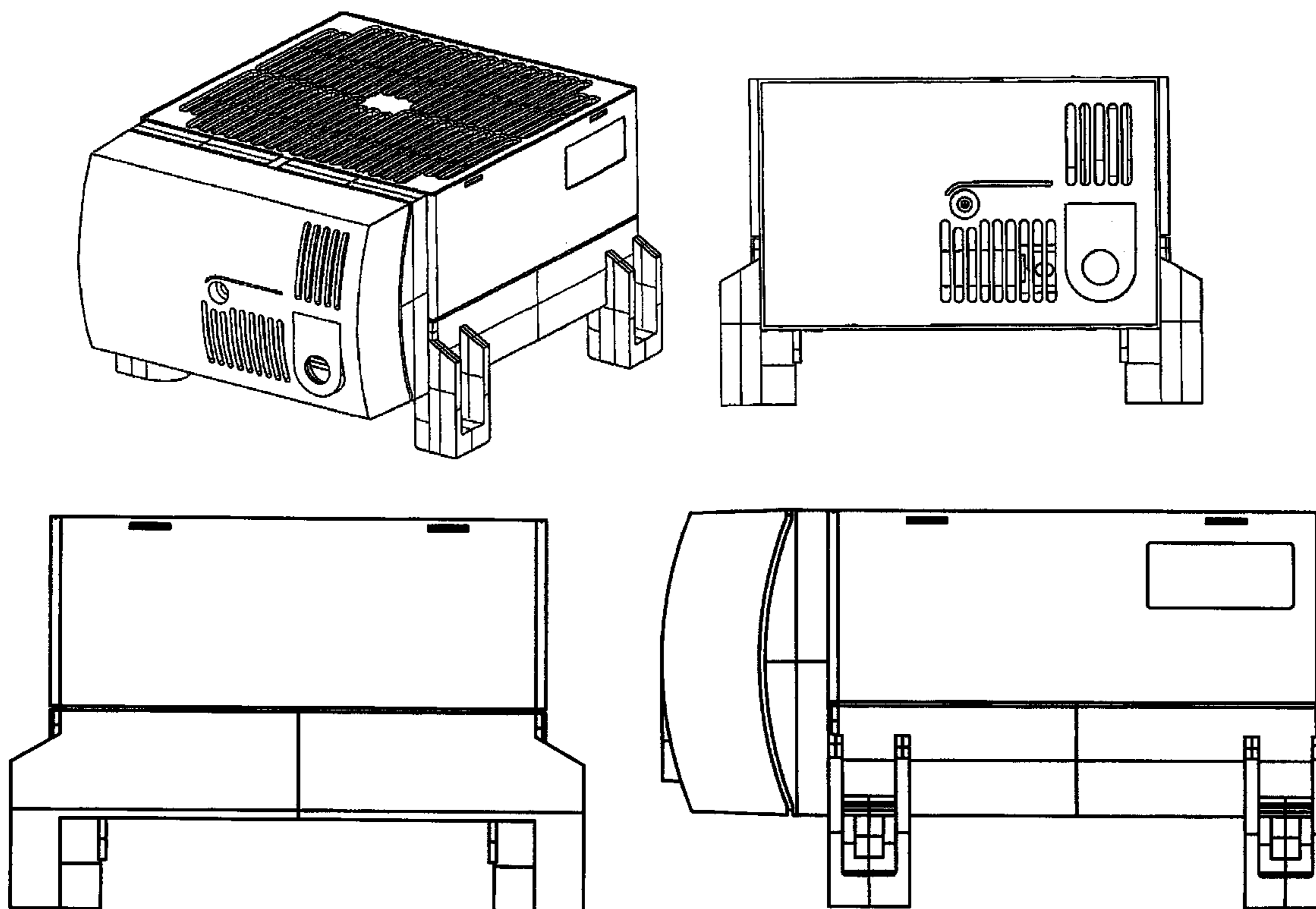
(57) **CLAIM**

The ornamental design for a ventilation apparatus, as shown
and described.

DESCRIPTION

FIG. 1 is an upper side perspective view of a ventilation
apparatus in accordance with our new design;
FIG. 2 is a front elevation view thereof;
FIG. 3 a rear elevation view thereof;
FIG. 4 is a right-side elevation view thereof;
FIG. 5 is a left-side elevation view thereof;
FIG. 6 is a top plan view thereof; and,
FIG. 7 is a bottom plan view thereof.

1 Claim, 7 Drawing Sheets



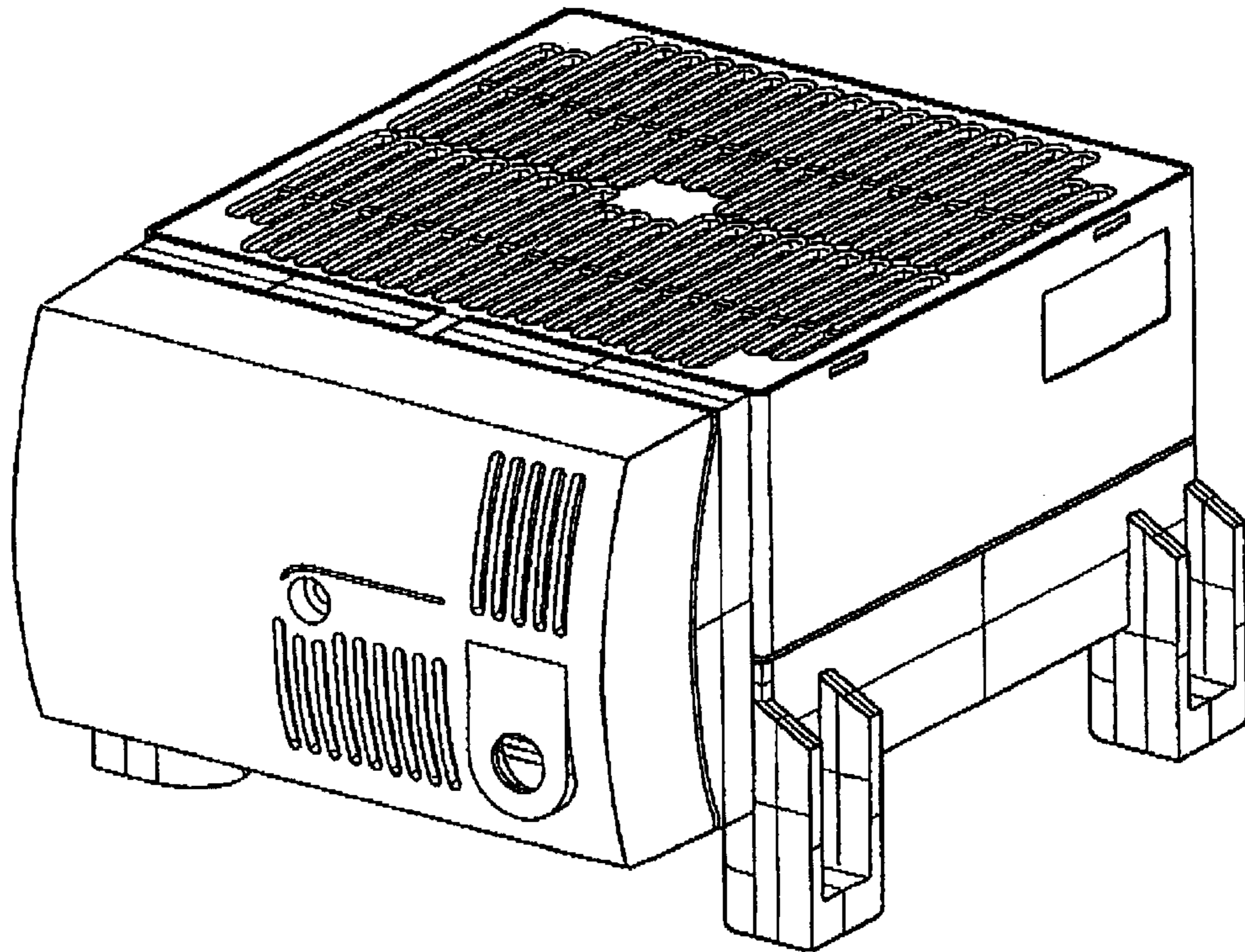


FIG. 1

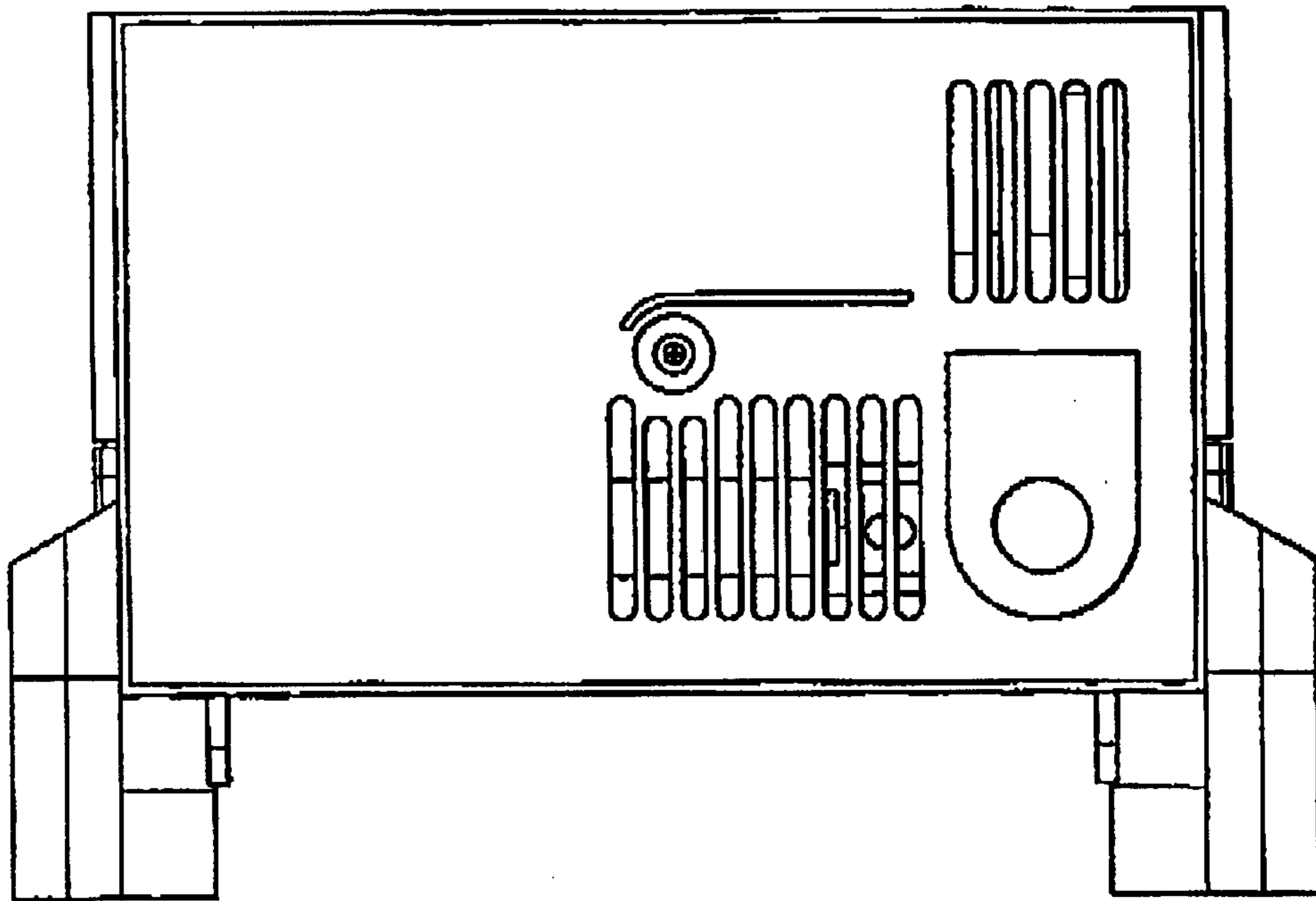


FIG. 2

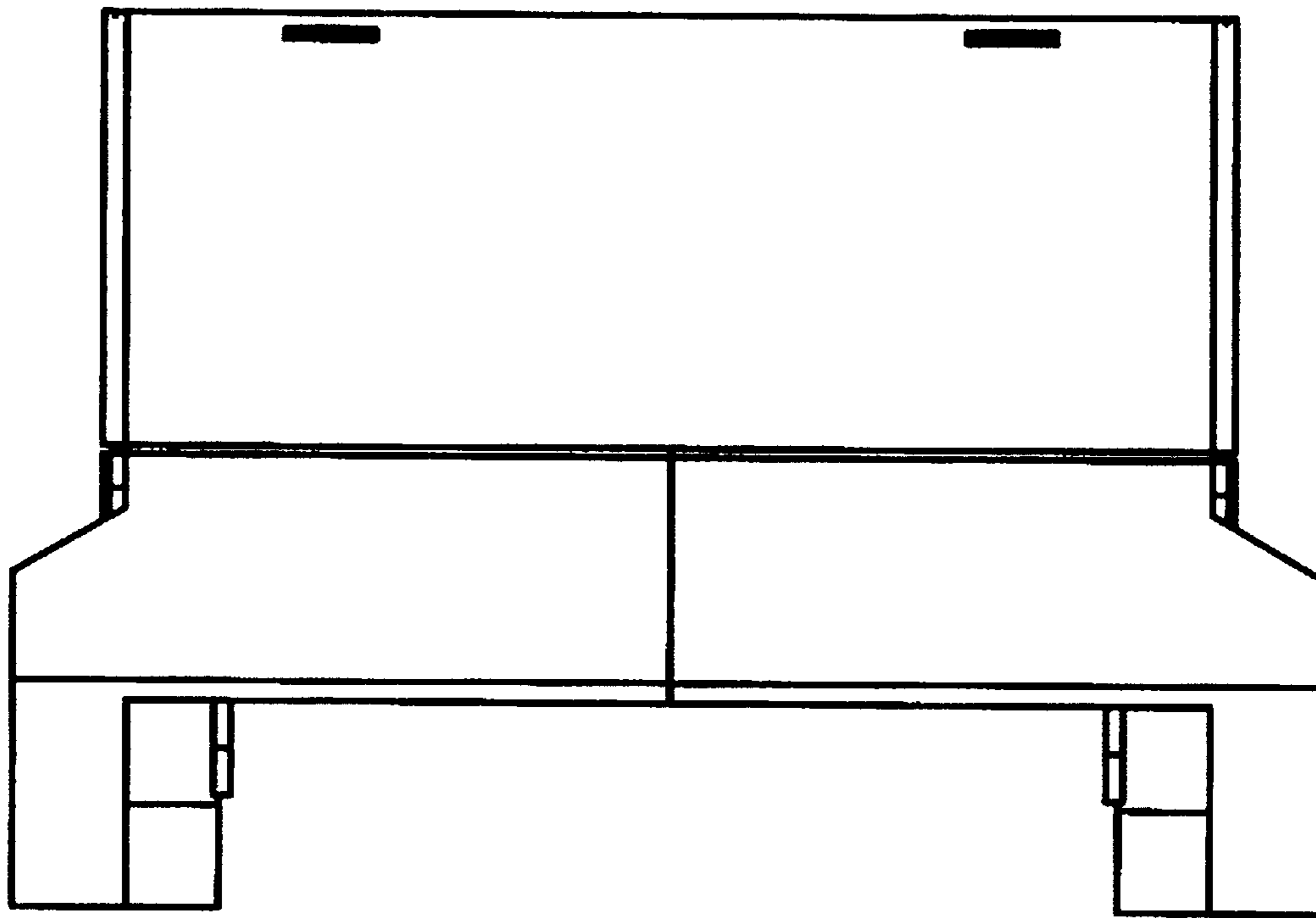


FIG. 3

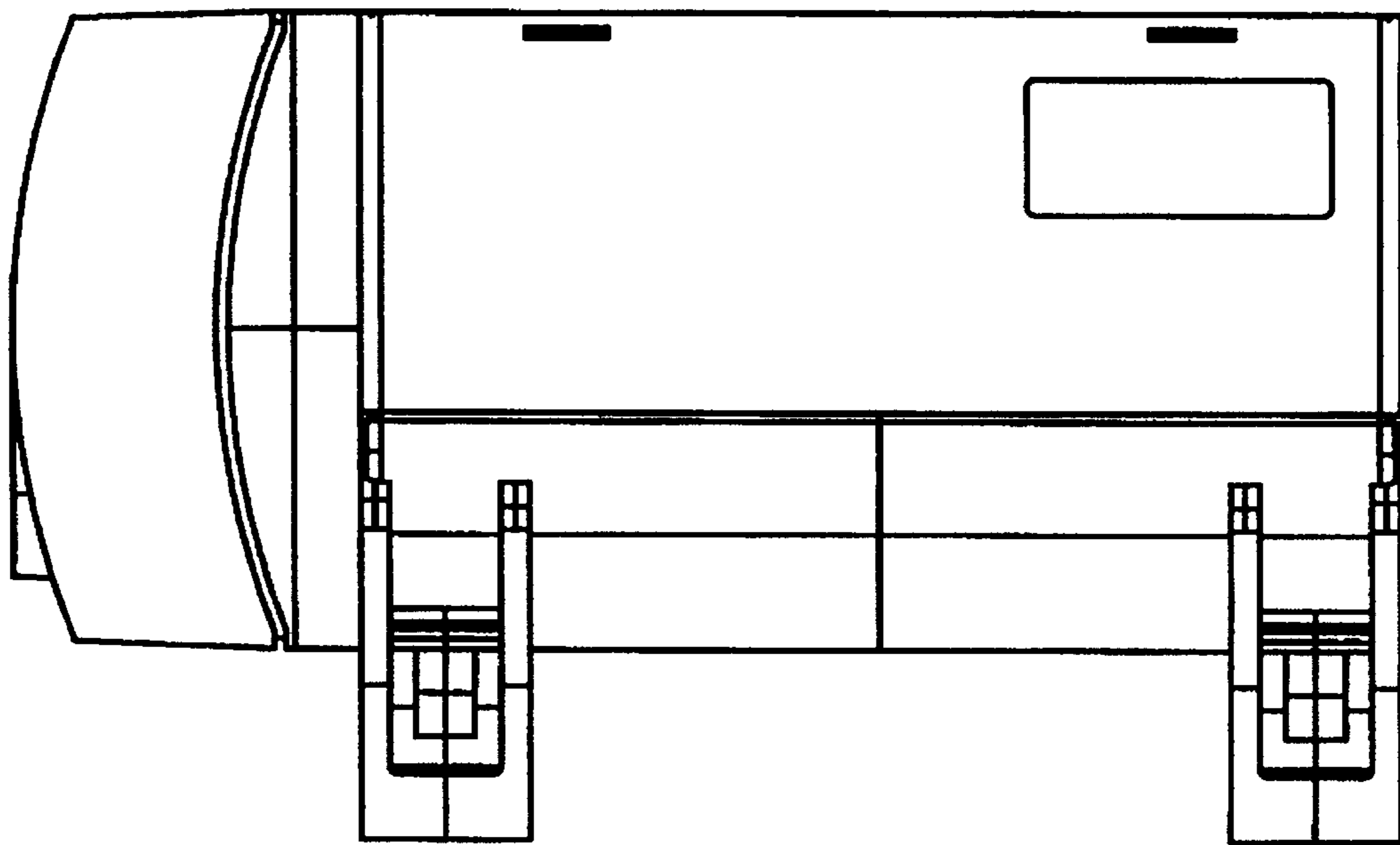


FIG. 4

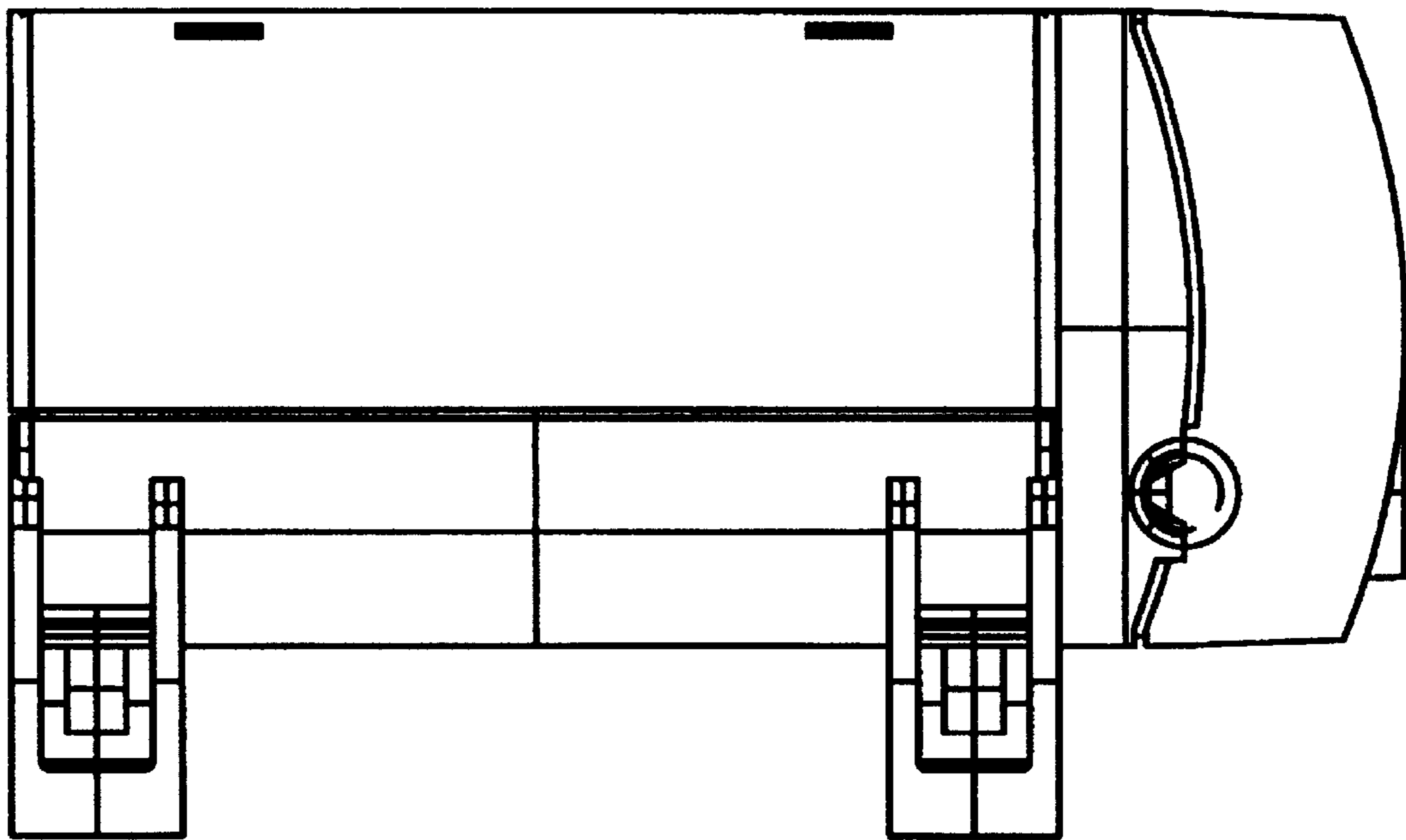


FIG. 5

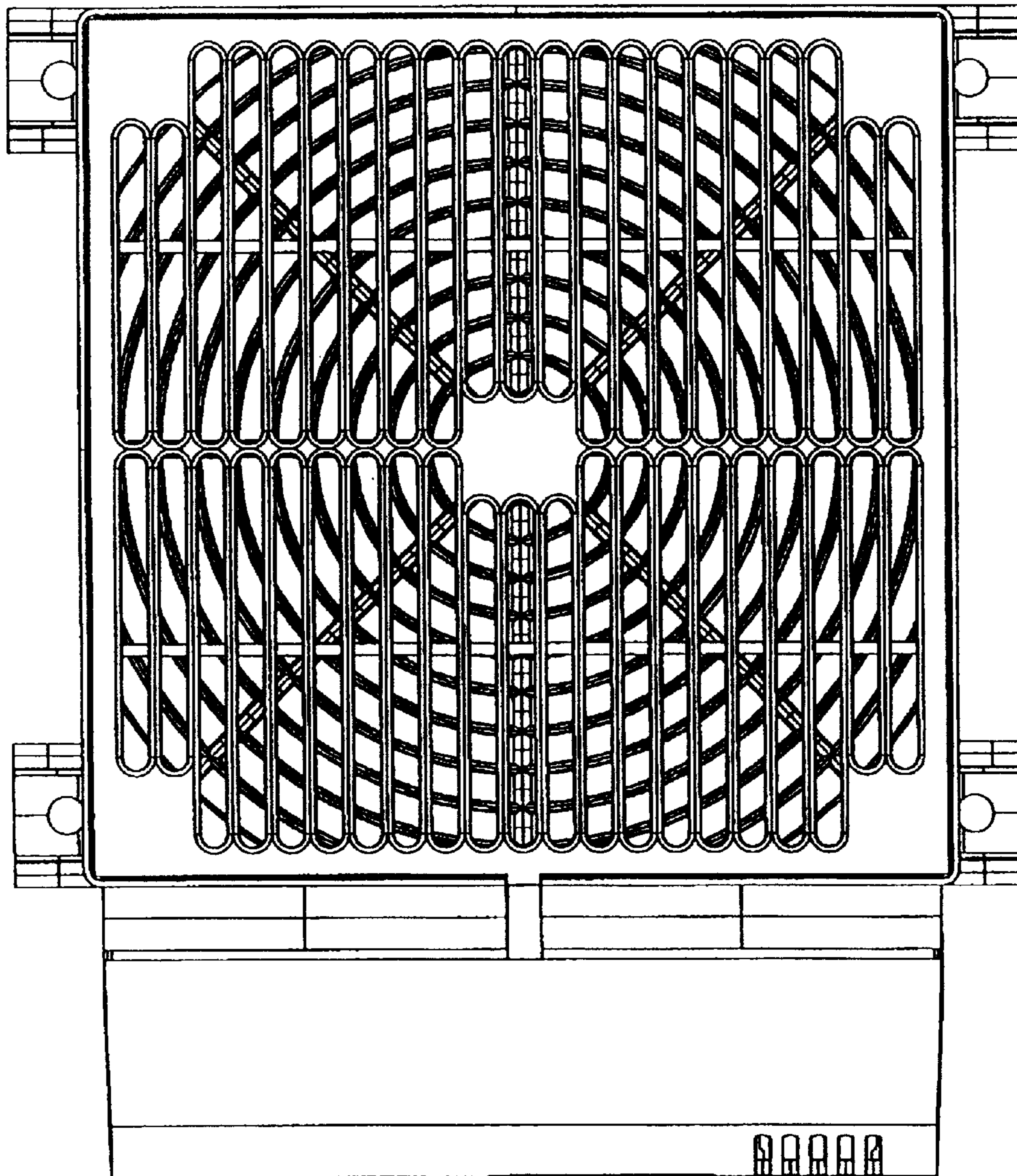


FIG. 6

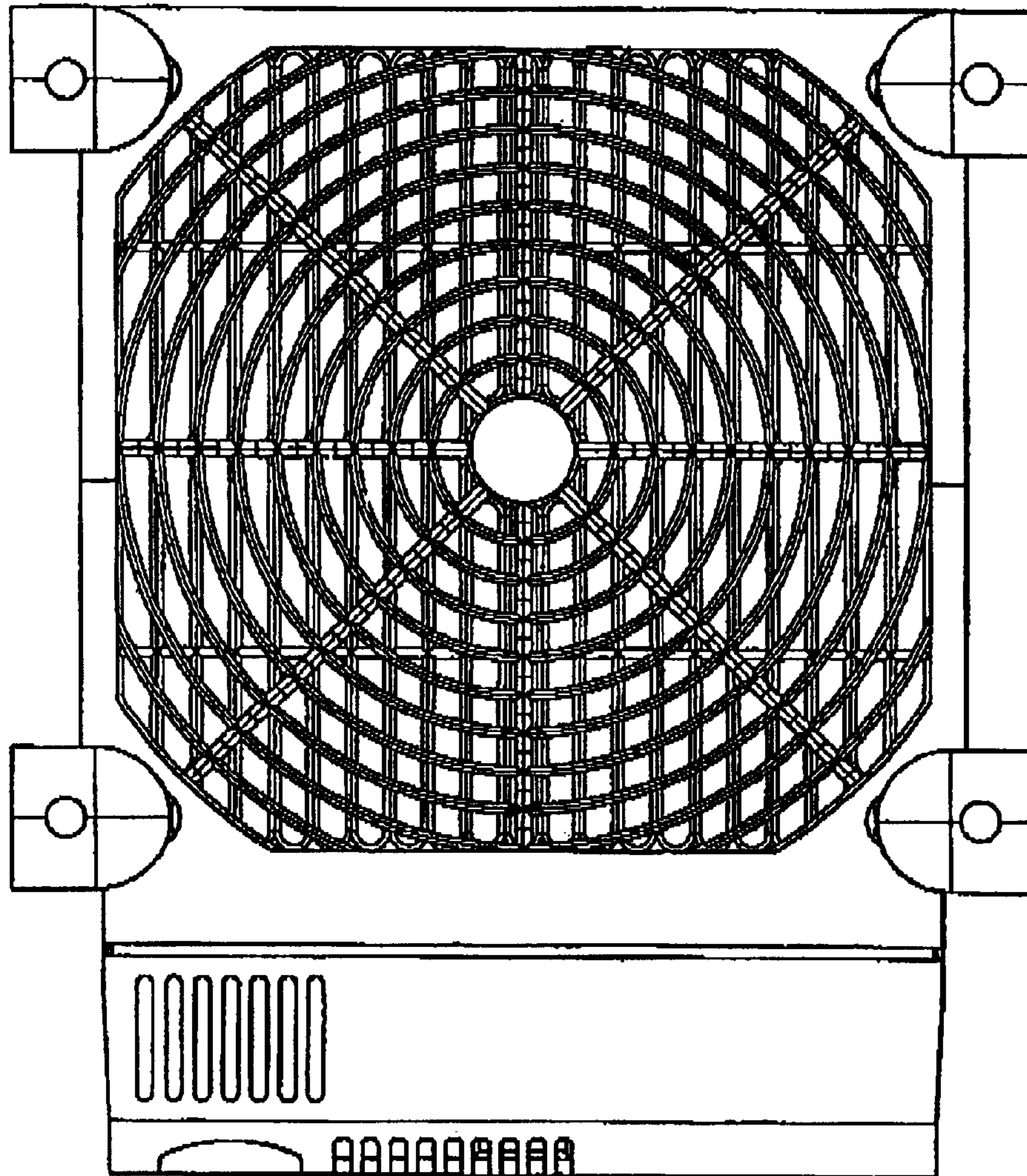


FIG. 7