



US00D536773S

(12) **United States Design Patent**
Yeung

(10) **Patent No.:** **US D536,773 S**

(45) **Date of Patent:** **** Feb. 13, 2007**

(54) **PANEL HEATER**

(75) Inventor: **K. W. Yeung**, Hong Kong (HK)

(73) Assignee: **Housely Industries Limited**, Hong Kong (HK)

(**) Term: **14 Years**

(21) Appl. No.: **29/237,474**

(22) Filed: **Aug. 31, 2005**

(30) **Foreign Application Priority Data**

Mar. 4, 2005 (CN) 200530004772

(51) **LOC (8) Cl.** **23-03**

(52) **U.S. Cl.** **D23/330**

(58) **Field of Classification Search** D23/330,
D23/354, 351, 386, 370, 333, 328, 353, 361,
D23/385; 237/79; 98/94.2; 62/262
See application file for complete search history.

(56) **References Cited**

U.S. PATENT DOCUMENTS

4,320,740 A * 3/1982 Lassy et al. 126/522
D300,459 S * 3/1989 Hoyle D23/354
D318,911 S * 8/1991 Tobin et al. D23/354

D325,254 S * 4/1992 Ruuskanen D23/370
D330,248 S * 10/1992 Chagnot et al. D23/330
D349,338 S * 8/1994 Crinion D23/386
D412,564 S * 8/1999 Pustelnik D23/330
6,637,232 B1 * 10/2003 Harshberger et al. 62/285
D502,255 S * 2/2005 Kim D23/351
2001/0020646 A1 * 9/2001 Herbert 237/79

* cited by examiner

Primary Examiner—Louis S. Zarfaz

Assistant Examiner—Anna K. Dworzecka

(74) *Attorney, Agent, or Firm*—Law Office of Sergi Orel, LLC

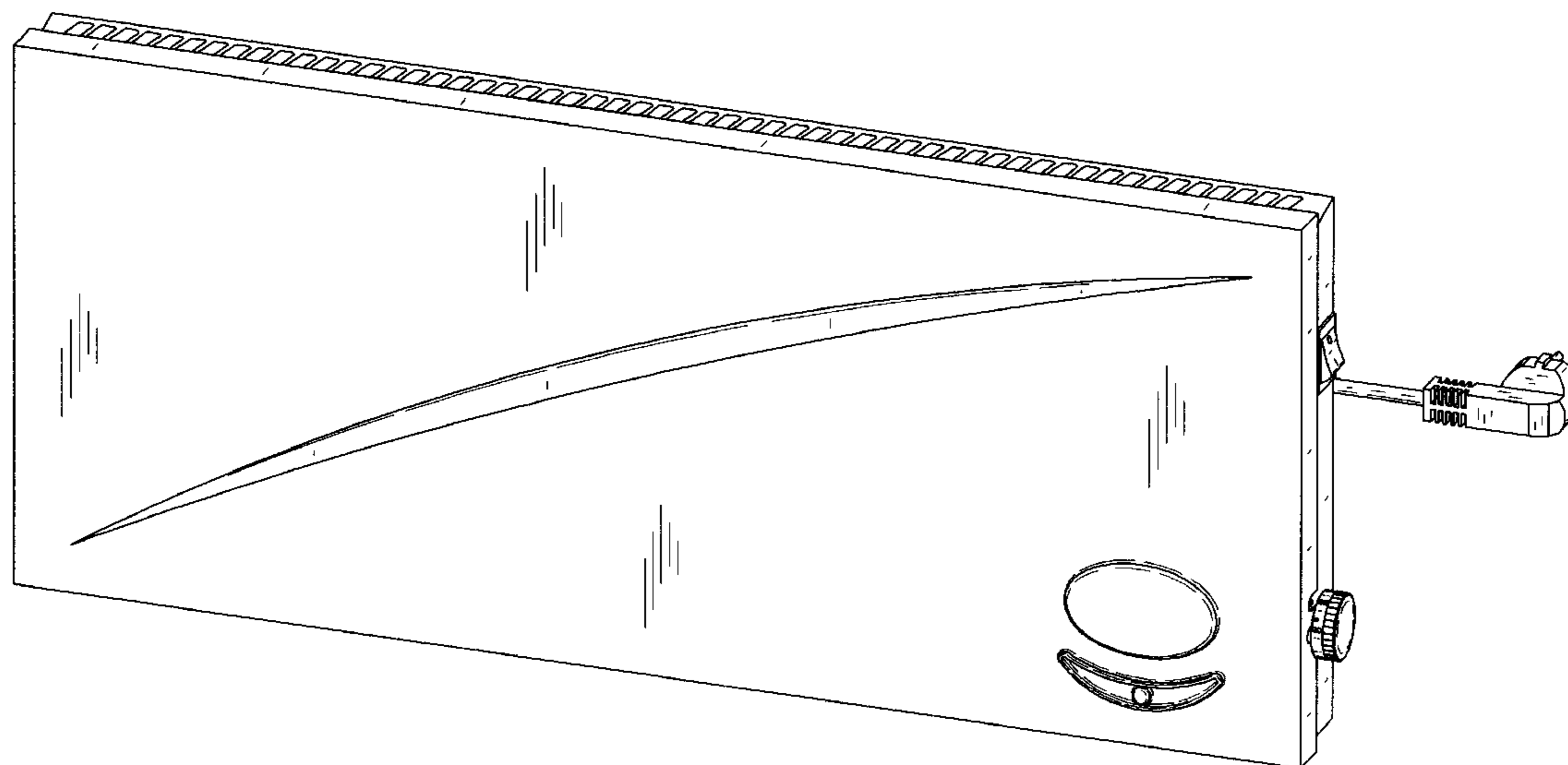
(57) **CLAIM**

The ornamental design for a panel heater, as shown and described.

DESCRIPTION

FIG. 1 Front view.
FIG. 2 Top view.
FIG. 3 Rear view.
FIG. 4 Bottom view.
FIG. 5 Side view.
FIG. 6 Opposite Side view; and,
FIG. 7 Perspective view.

1 Claim, 4 Drawing Sheets



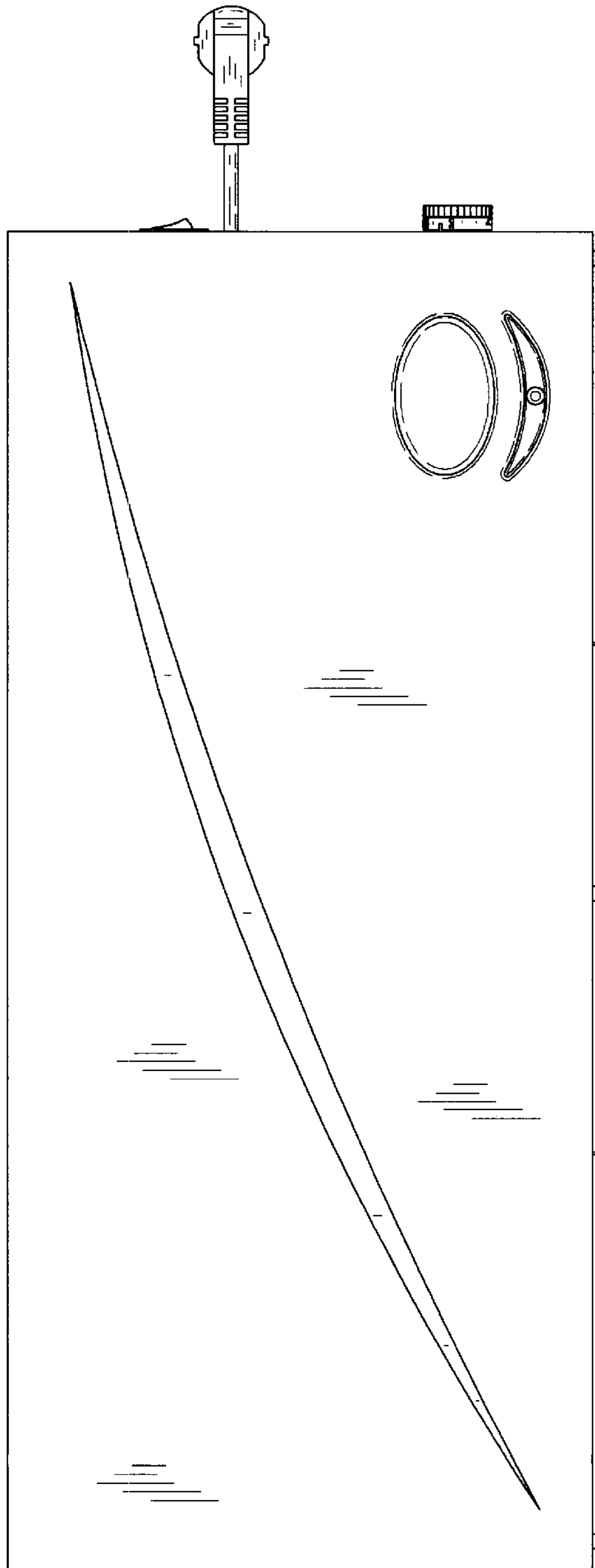


Fig.1

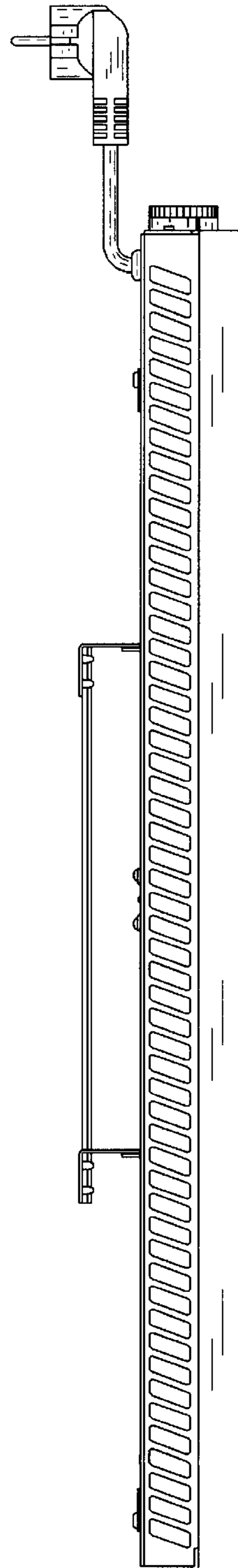


Fig.2

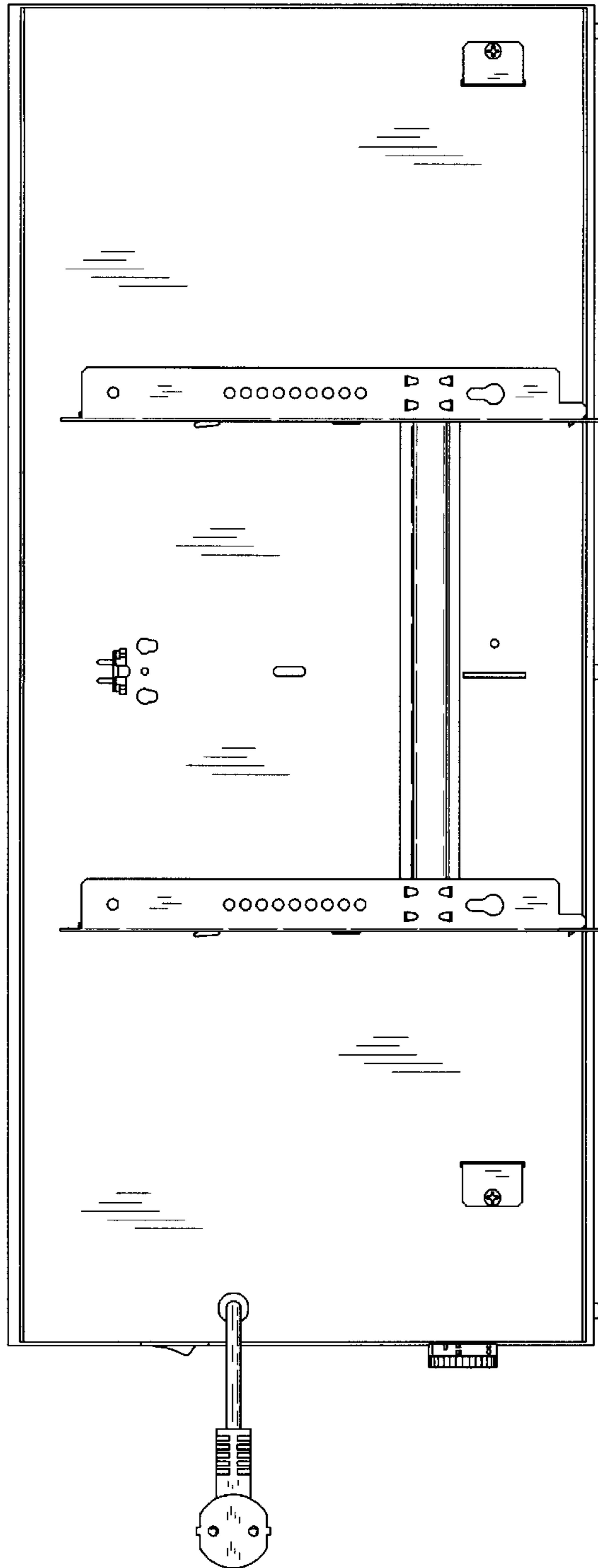


Fig.3

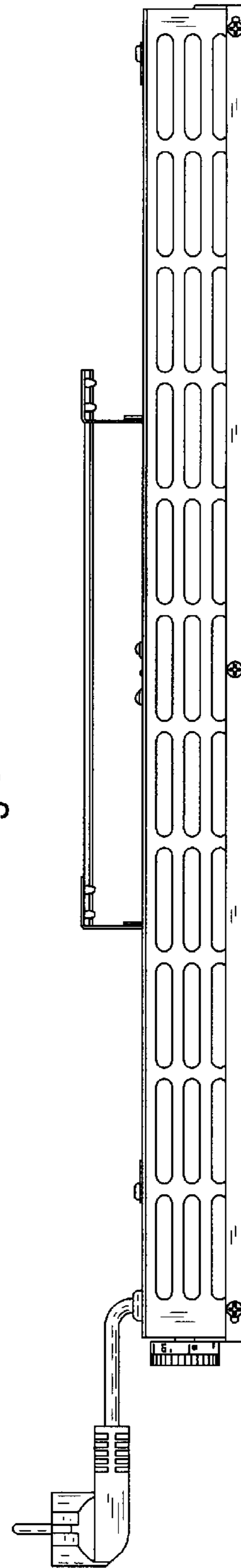


Fig.4

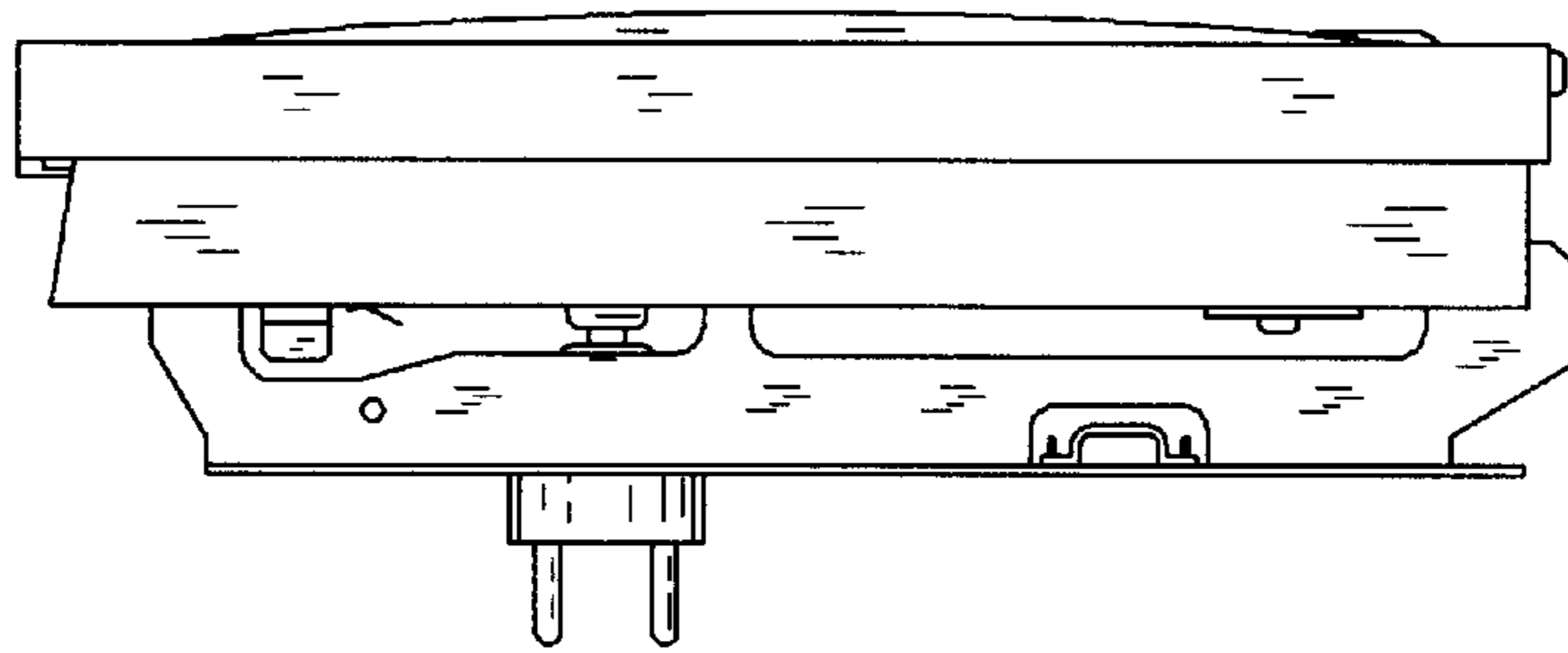


Fig.6

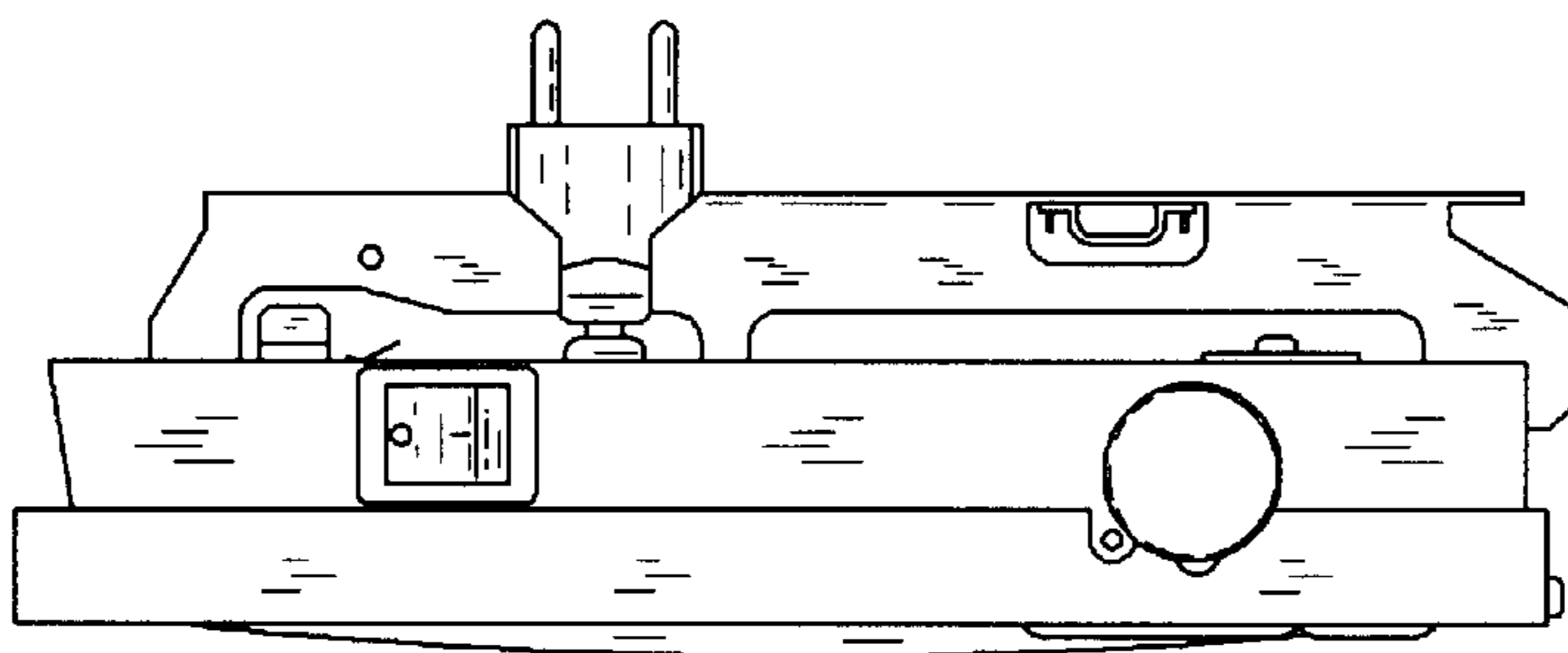


Fig.5

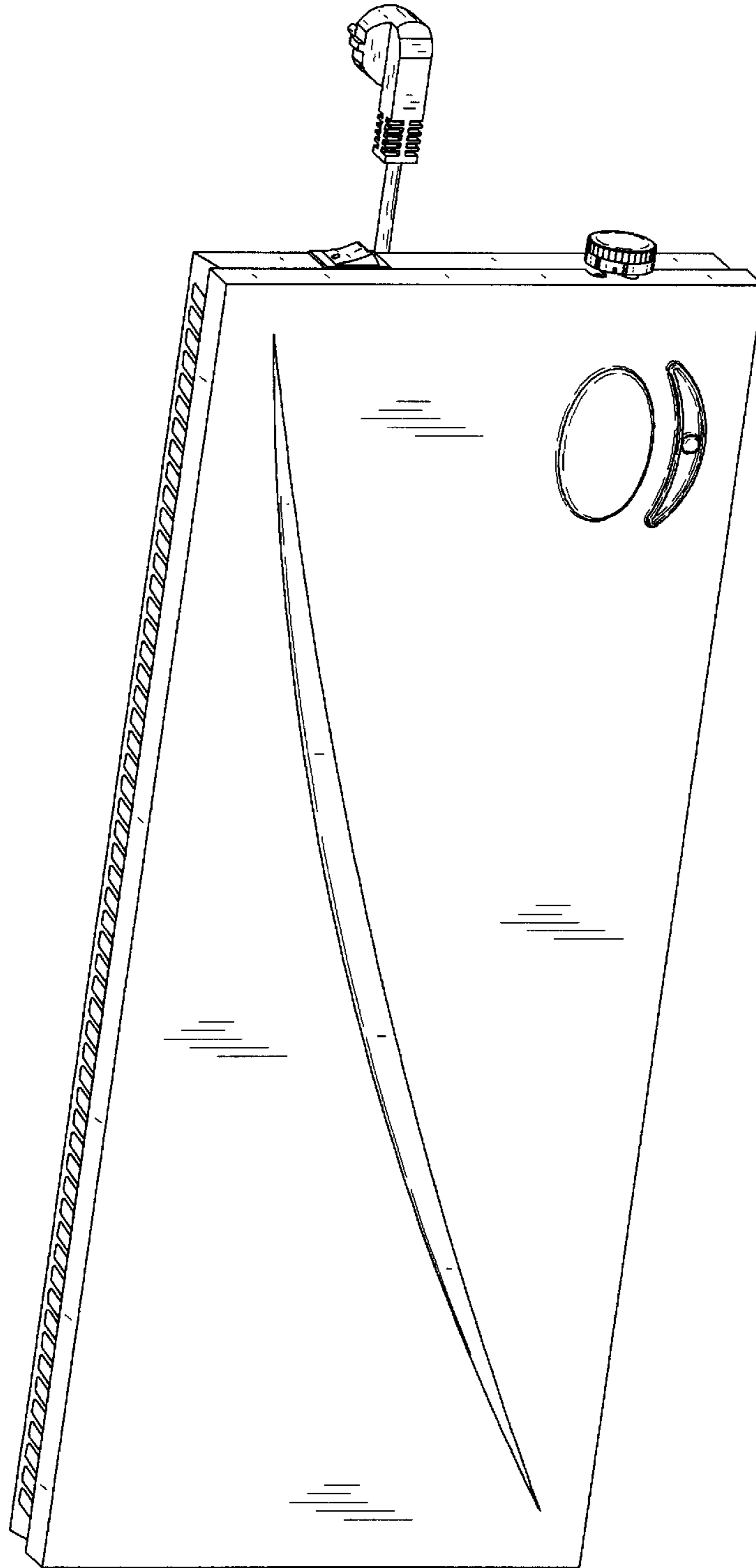


Fig.7