



US00D536770S

(12) **United States Design Patent** (10) **Patent No.:** **US D536,770 S**
Mayer (45) **Date of Patent:** **** Feb. 13, 2007**

(54) **VANITY**

(76) Inventor: **Robert H. Mayer**, c/o Deco Lav, Inc.
424 S.W. 12th Ave., Deerfield Beach, FL
(US) 33442

(**) Term: **14 Years**

(21) Appl. No.: **29/234,663**

(22) Filed: **Jul. 20, 2005**

(51) **LOC (8) Cl.** **23-02**

(52) **U.S. Cl.** **D23/286**

(58) **Field of Classification Search** D23/273,
D23/284-290, 293.1, 303, 308; 4/619-620,
4/624-625, 630-631, 661; 312/140.1-140.3,
312/204, 228; D6/398, 432-434, 441, 445-448,
D6/509-510

See application file for complete search history.

(56) **References Cited**

U.S. PATENT DOCUMENTS

270,701 A * 1/1883 Scott 312/308
6,574,805 B1 * 6/2003 Liu 4/643
D479,058 S * 9/2003 Walker D6/448

OTHER PUBLICATIONS

SPLASHWORKS, Modern Vanity, from Florida Design,
Jun. 2005, vol. 15, No. 2, p. 460.

ROOMS-TO-GO, Vanity, undated photograph.

* cited by examiner

Primary Examiner—Robert A. Delehanty

(74) *Attorney, Agent, or Firm*—Fross Zelnick Lehrman &
Zissu, P.C.; David I. Greenbaum, Esq.; Lawrence E.
Apolzon, Esq.

(57) **CLAIM**

The ornamental design for a vanity, as shown and described.

DESCRIPTION

FIG. 1 is a front perspective view of a vanity showing my
new design;

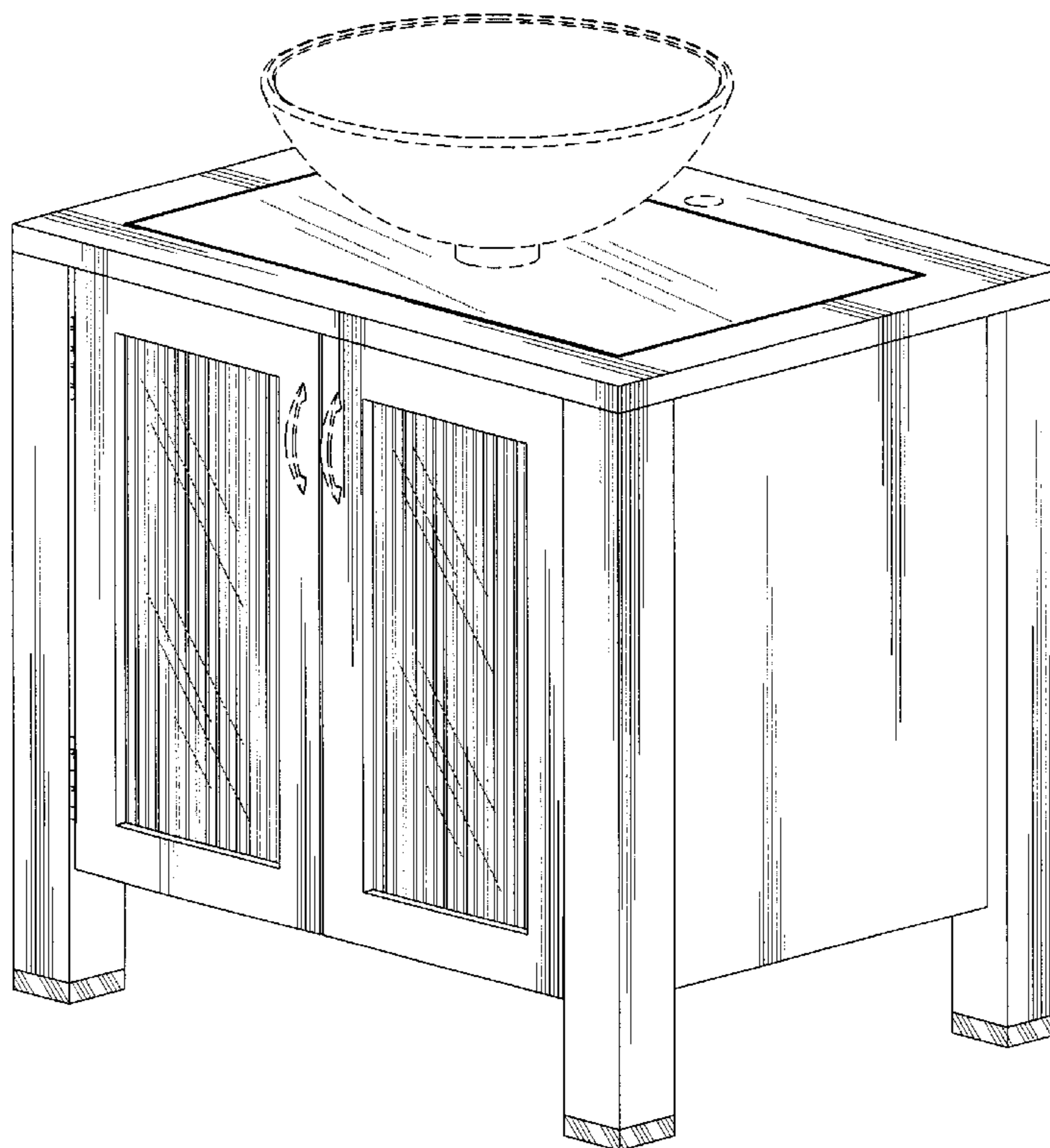
FIG. 2 is a front view of the vanity shown in FIG. 1;

FIG. 3 is a right side view of the vanity shown in FIG. 1
(with the left side view being a mirror image); and,

FIG. 4 is a top view of the vanity shown in FIG. 1.

The broken line showing of the faucet hole, drain hole, sink,
and handles is for illustrative purposes only and forms no
part of the claimed design. The back of the vanity is plain
and unornamented.

1 Claim, 4 Drawing Sheets



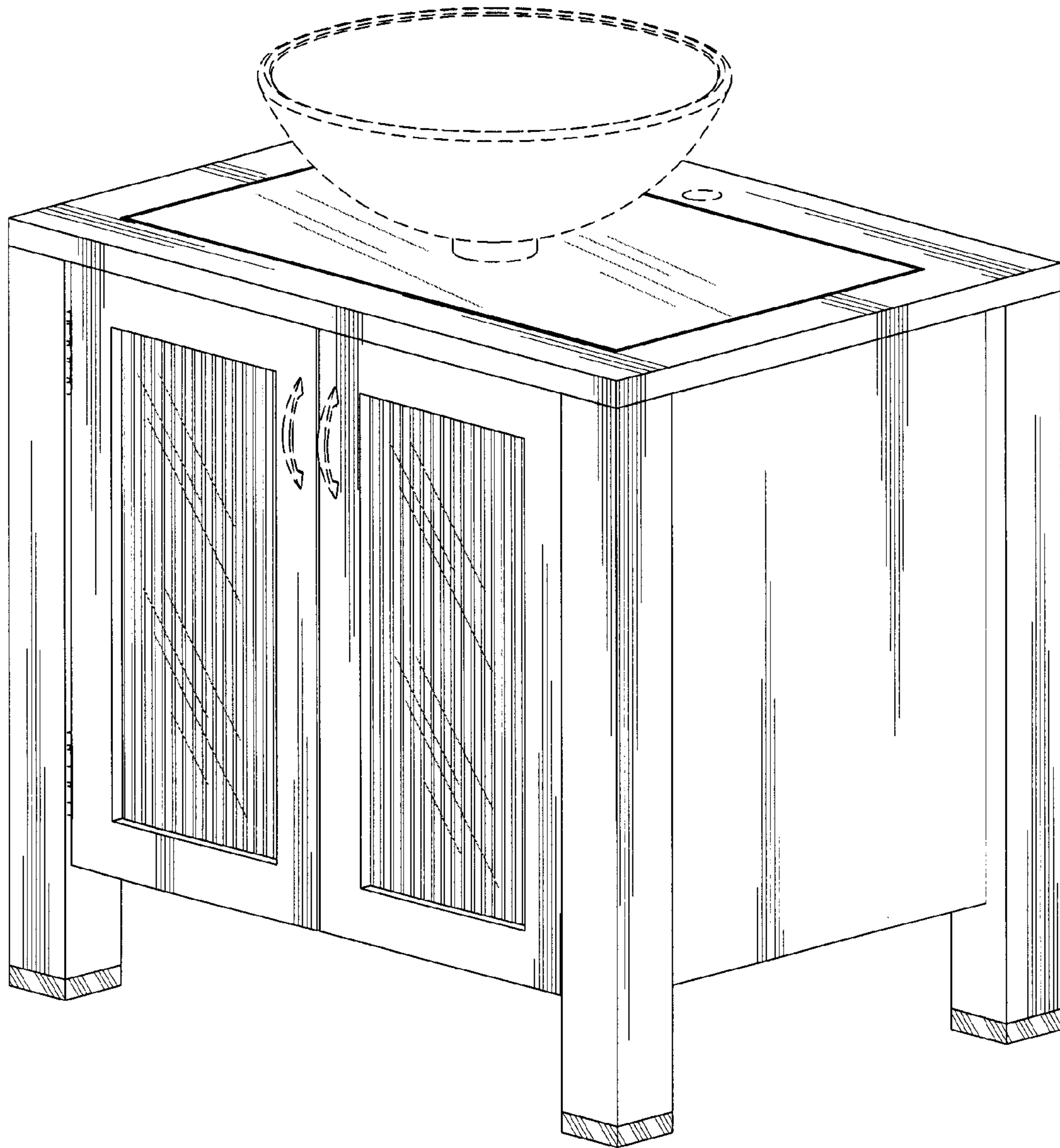


FIG. 1

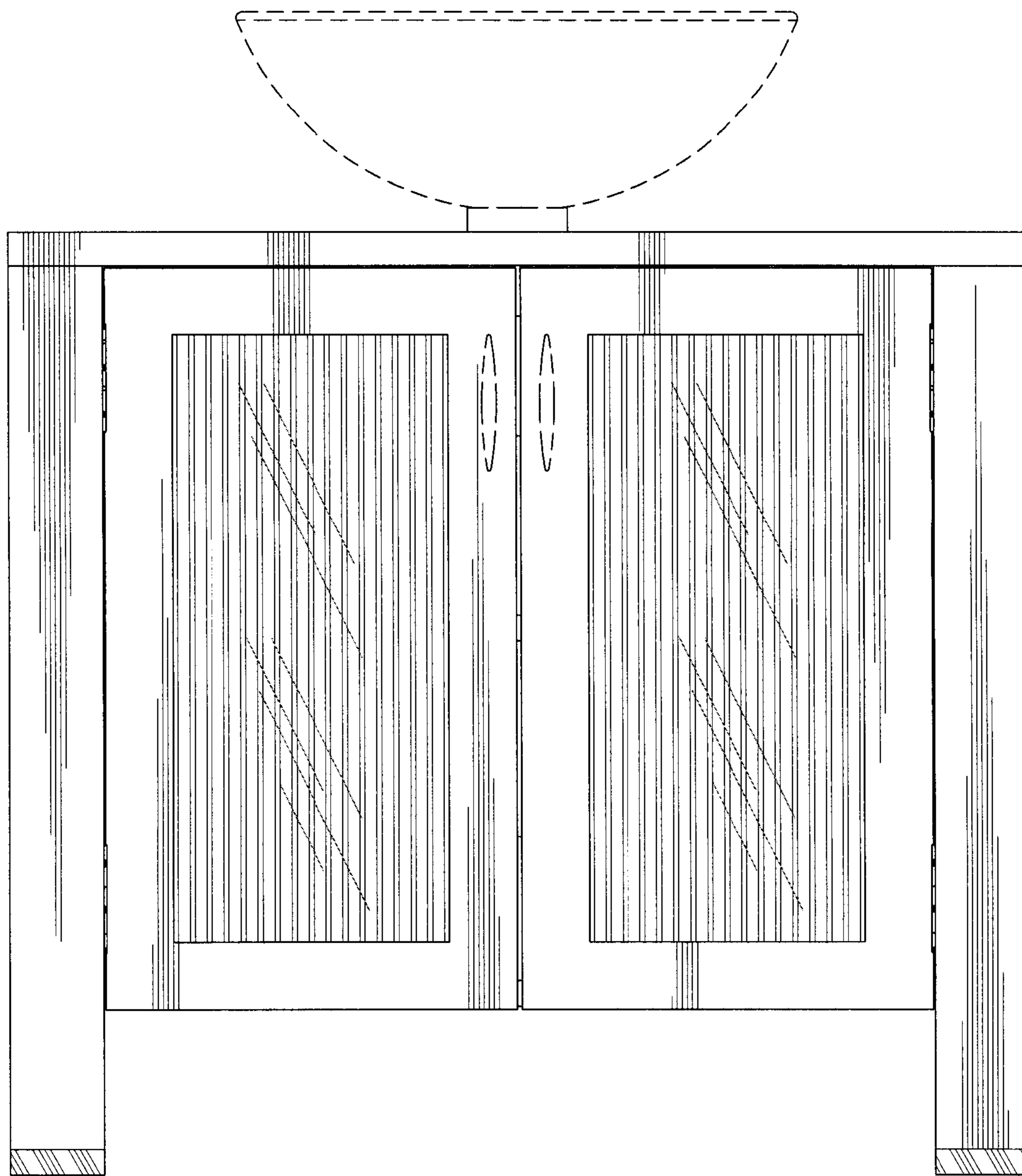


FIG. 2

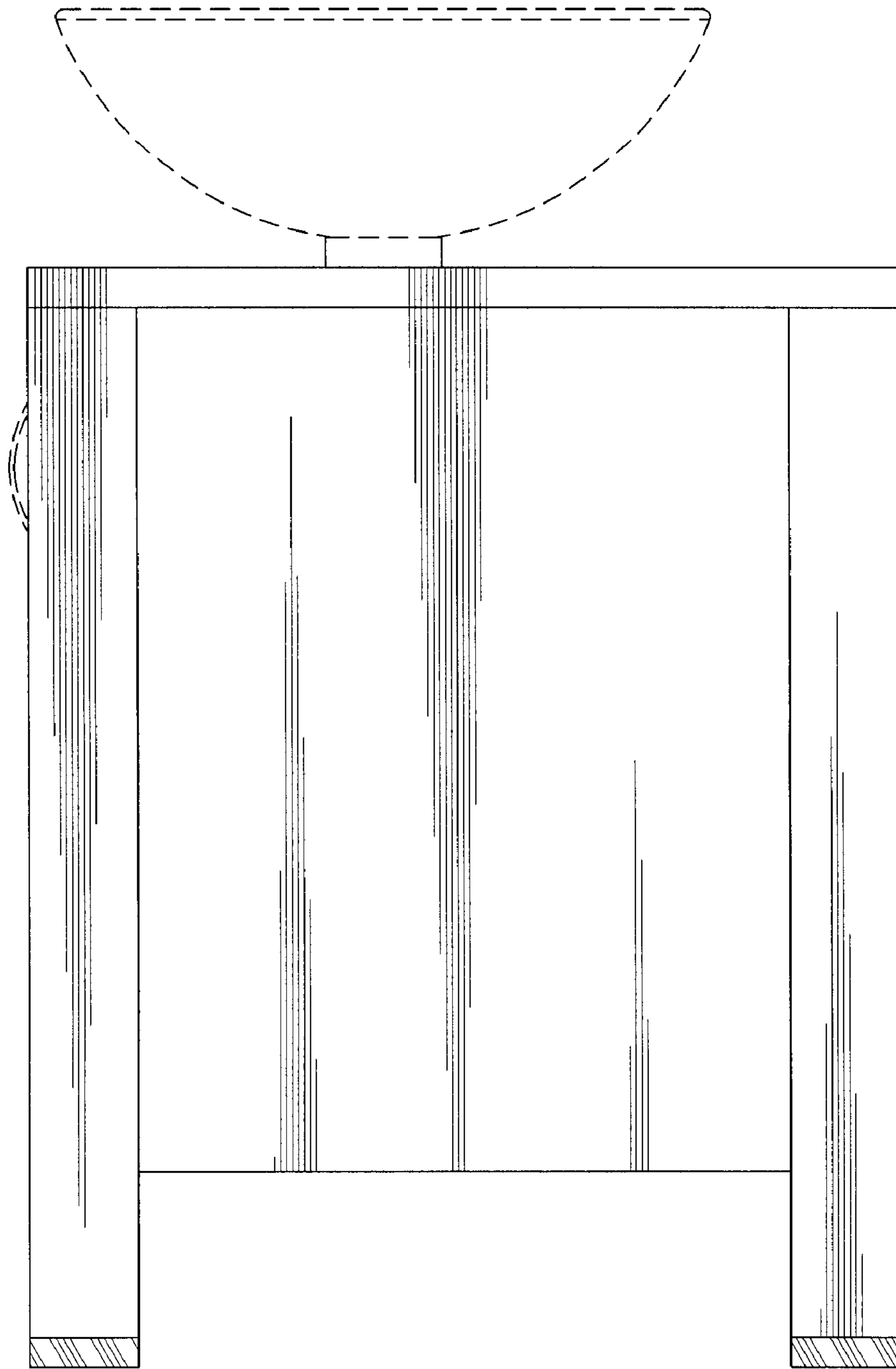


FIG. 3

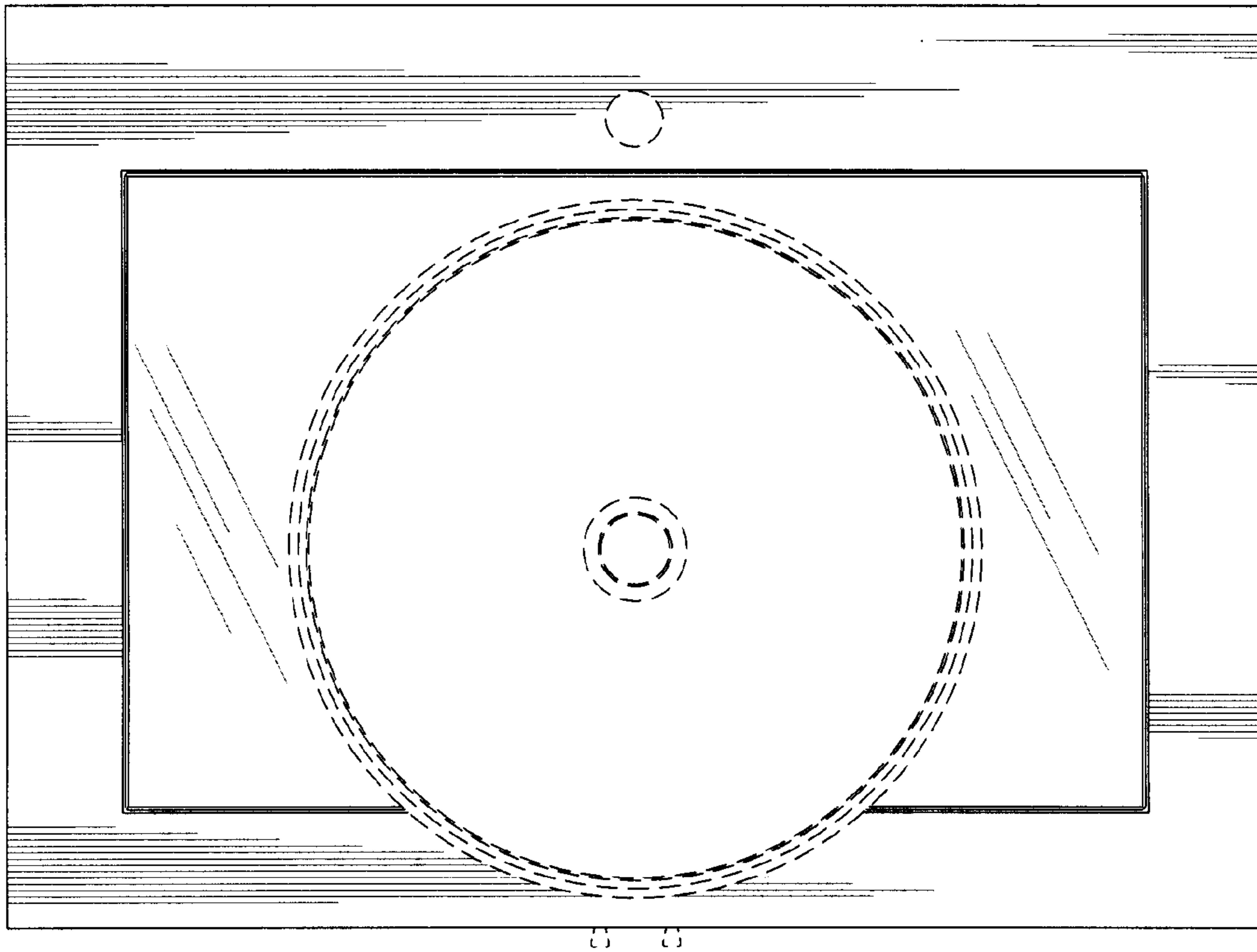


FIG. 4