



US00D536768S

(12) **United States Design Patent**
Talocci

(10) **Patent No.:** **US D536,768 S**

(45) **Date of Patent:** **** Feb. 13, 2007**

(54) **BATH TUB**

(75) Inventor: **Giovanna Talocci**, Rome (IT)

(73) Assignee: **Teuco Guzzini S.p.A.**, Montelupone (IT)

(**) Term: **14 Years**

(21) Appl. No.: **29/255,726**

(22) Filed: **Mar. 10, 2006**

D196,290 S	*	9/1963	King	D23/283
D214,893 S	*	8/1969	Wheeler, Jr.	D23/308
D227,100 S	*	6/1973	Weiss	D23/277
D233,343 S	*	10/1974	Irvine	D23/280.1
D237,183 S	*	10/1975	Bonsack	D23/280.1
D274,455 S	*	6/1984	Cuttriss	D23/280.1
D320,715 S	*	10/1991	Magnin et al.	D6/601
D321,245 S	*	10/1991	Delepine	D23/280.1
D321,923 S	*	11/1991	Ross	D24/204
D354,805 S	*	1/1995	Bowen et al.	D6/601
D394,493 S	*	5/1998	Zeidner	D23/277

* cited by examiner

Related U.S. Application Data

(62) Division of application No. 29/224,182, filed on Feb. 25, 2005.

(30) **Foreign Application Priority Data**

Aug. 27, 2004 (EP) 219639

(51) **LOC (8) Cl.** **23-02**

(52) **U.S. Cl.** **D23/277**

(58) **Field of Classification Search** D23/273,
D23/276-277, 280.1-280.3, 303-305; 4/538,
4/584; D24/204-205; D6/596, 601
See application file for complete search history.

(56) **References Cited**

U.S. PATENT DOCUMENTS

D142,685 S * 10/1945 Zinkel D6/596

Primary Examiner—Robert A. Delehanty

(74) *Attorney, Agent, or Firm*—McCarter & English, LLP

(57) **CLAIM**

The ornamental design for bath tub, as shown.

DESCRIPTION

FIG. 1 is a perspective view of a bath tub, according to my new design;

FIG. 2 is a front plan view thereof;

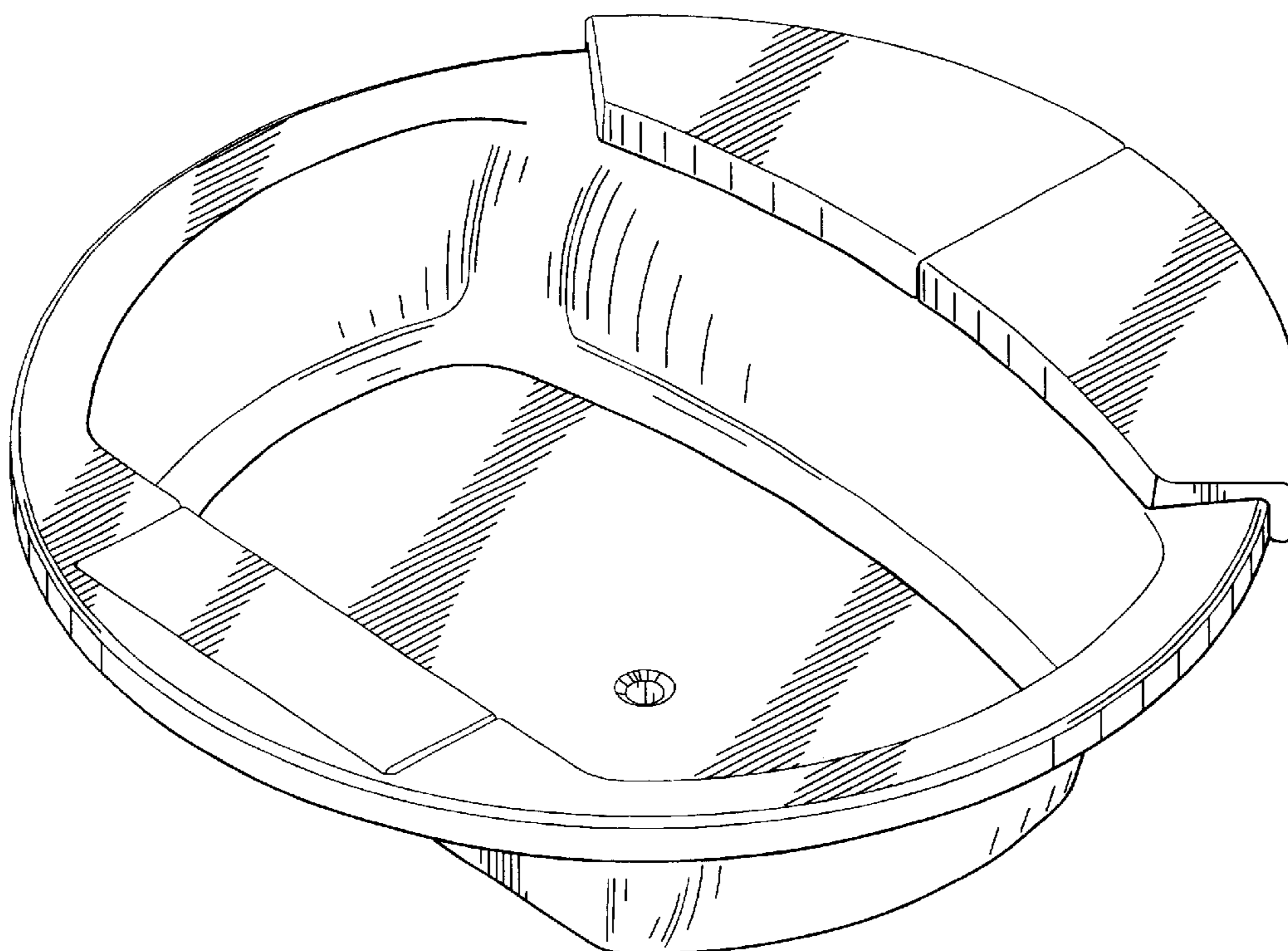
FIG. 3 is a right side view thereof;

FIG. 4 is a left side view thereof;

FIG. 5 is a top view thereof; and,

FIG. 6 is a bottom view thereof.

1 Claim, 4 Drawing Sheets



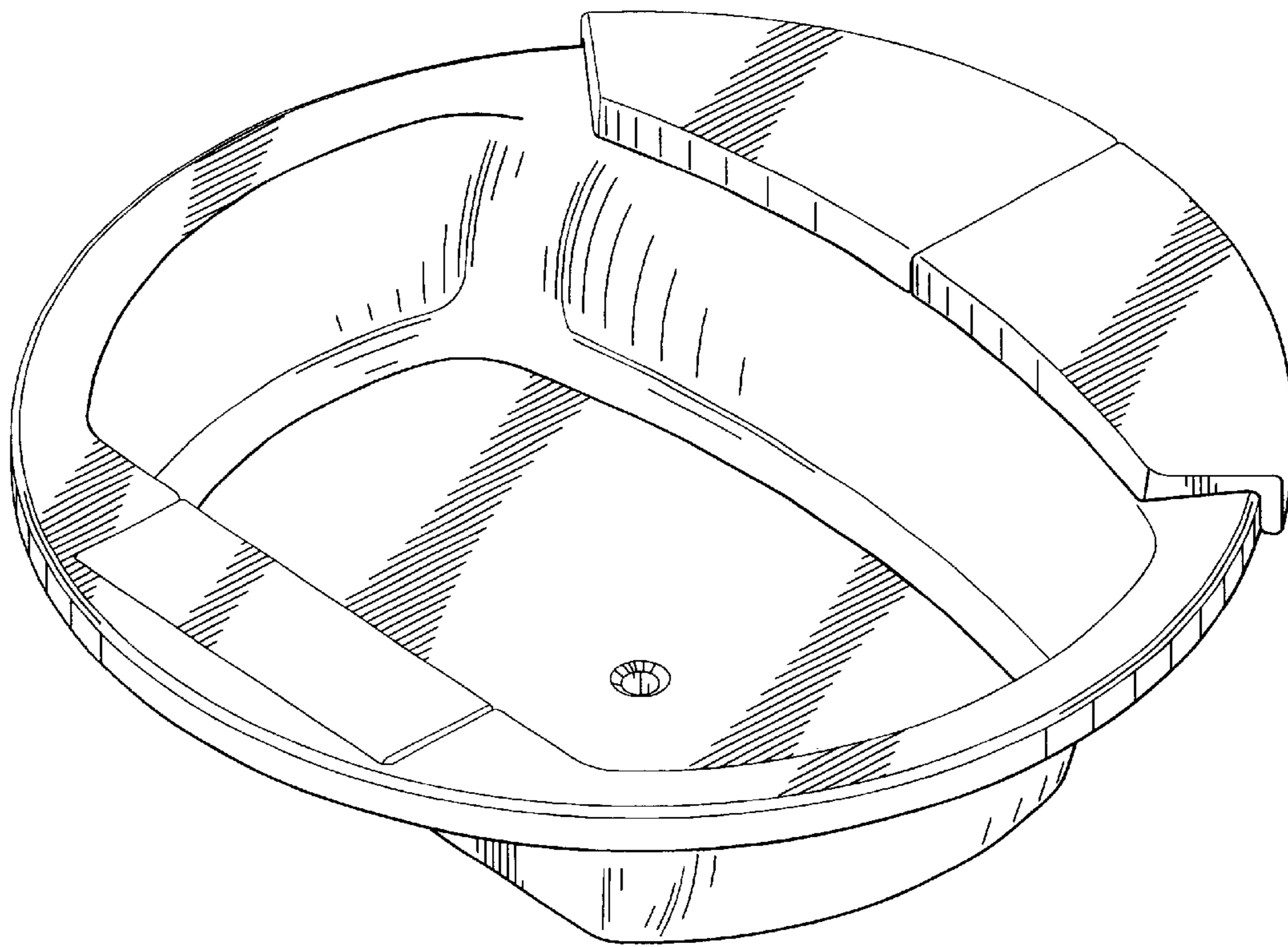


FIG. 1

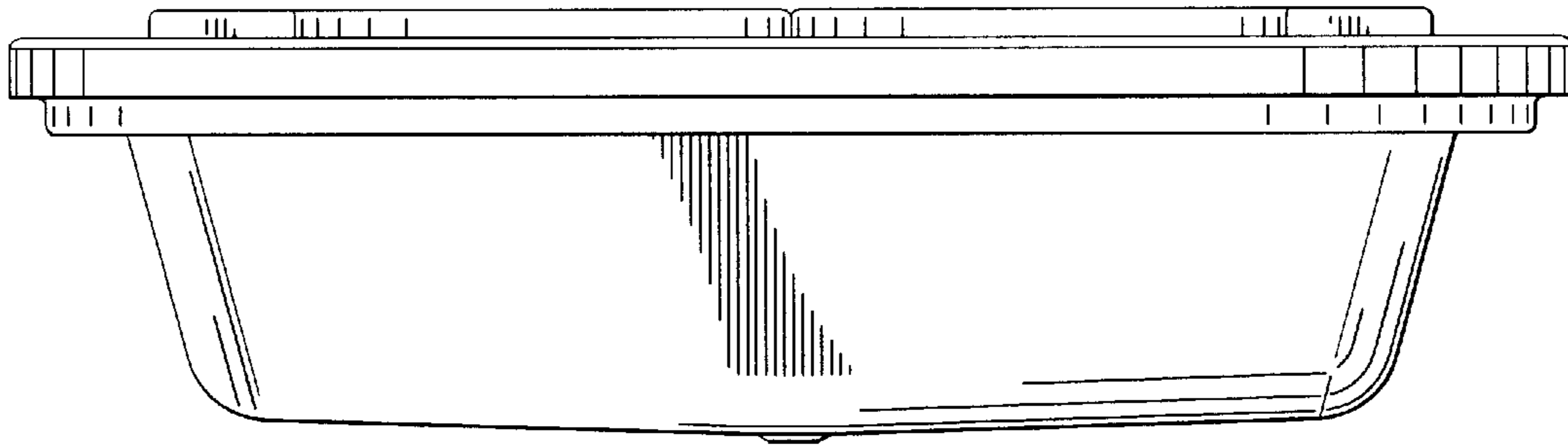


FIG. 2

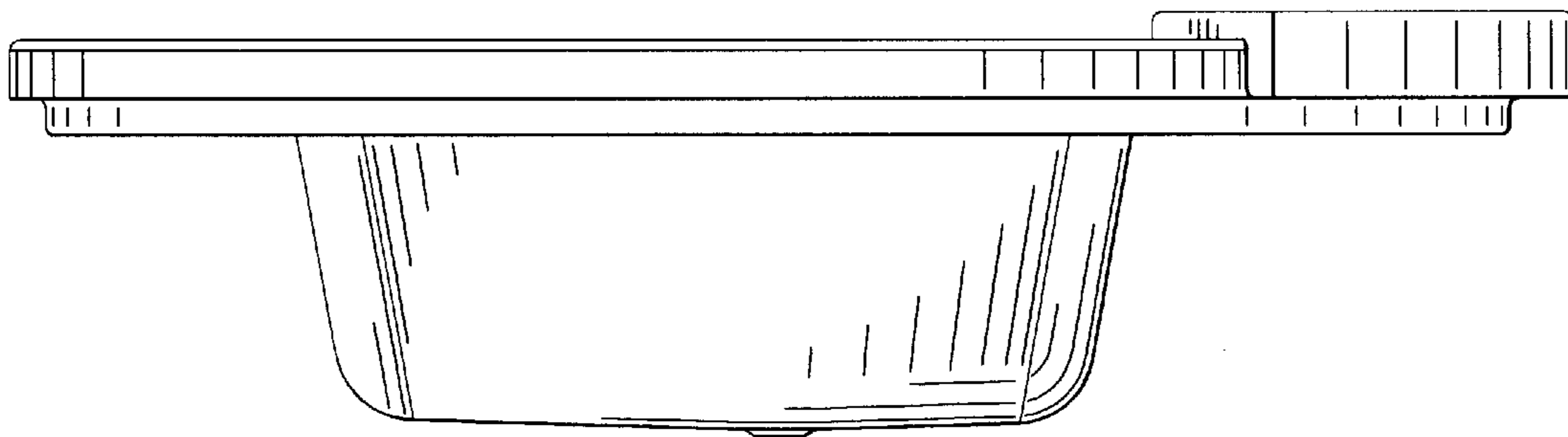


FIG. 3

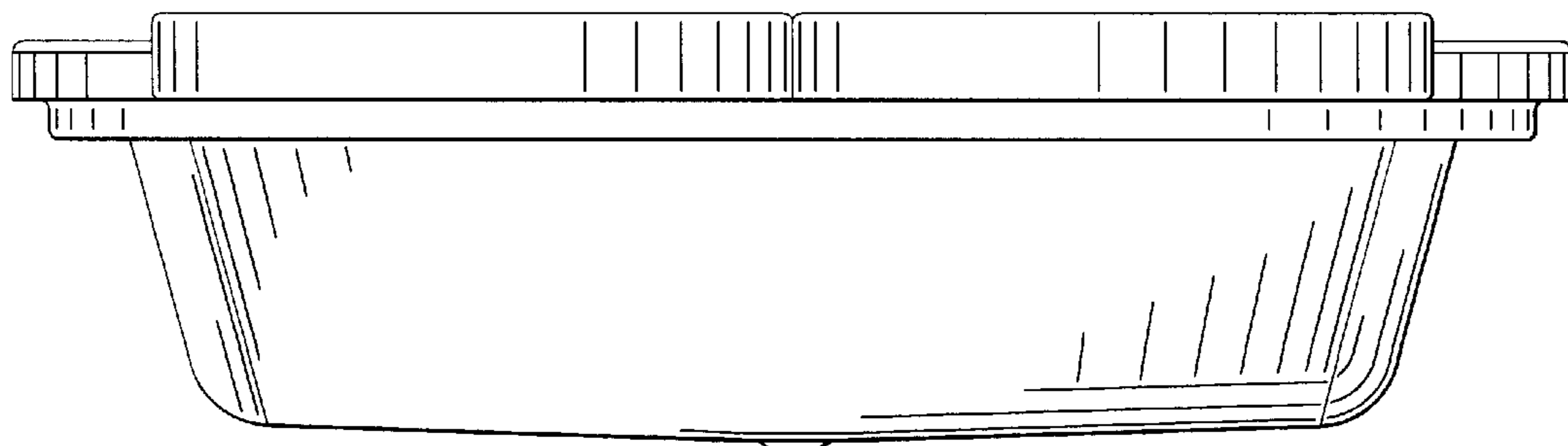


FIG. 4

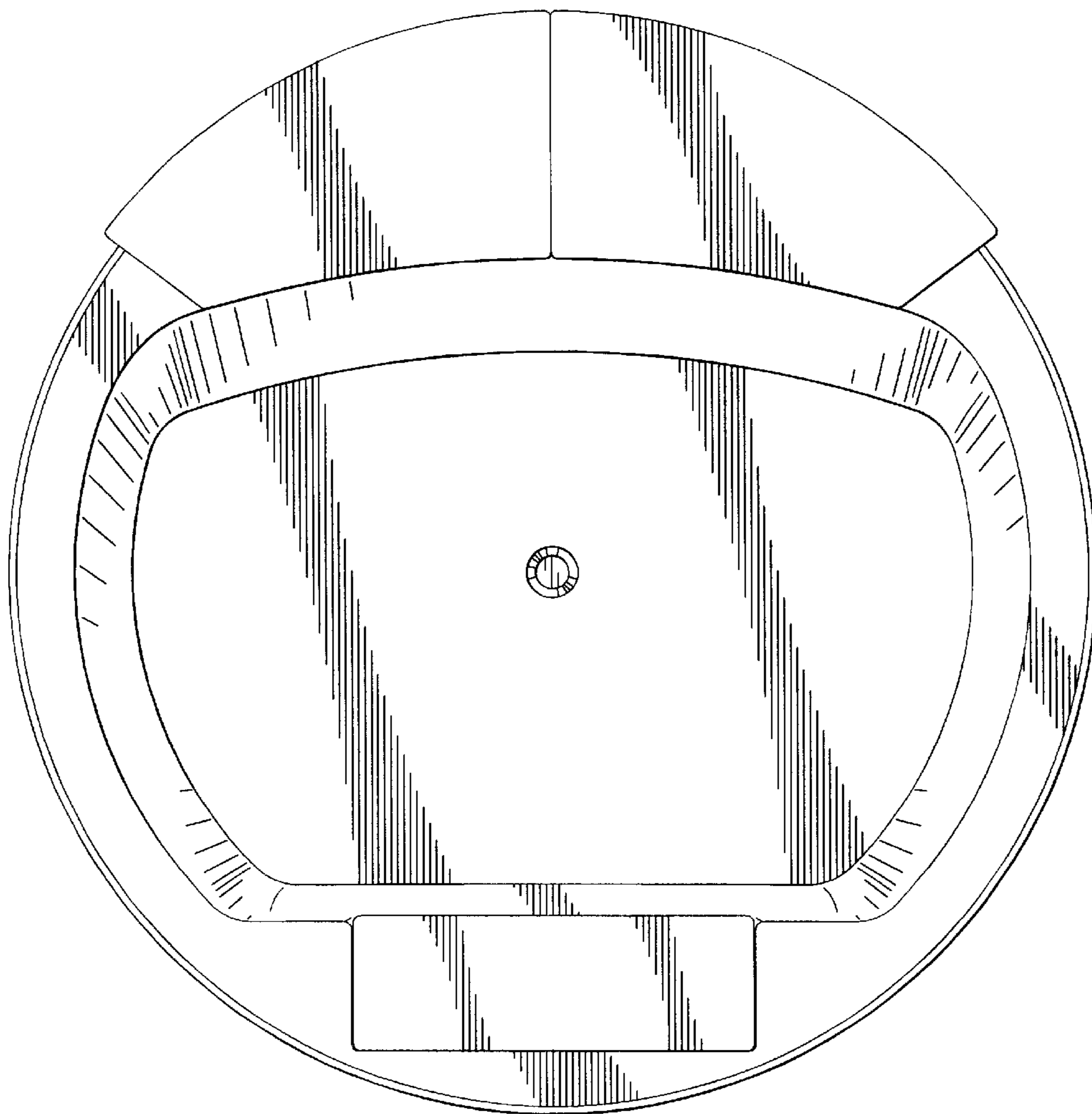


FIG. 5

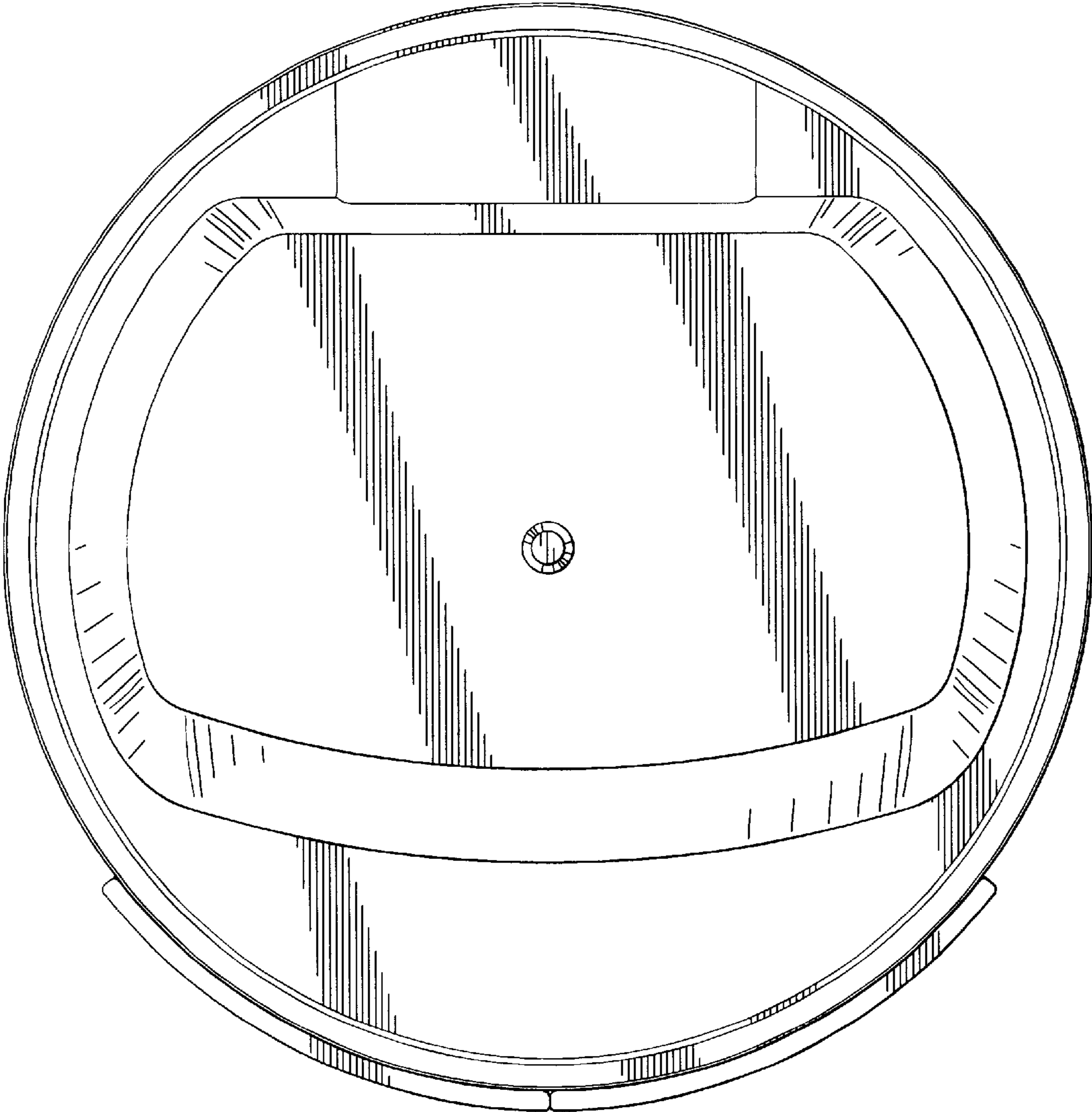


FIG. 6

UNITED STATES PATENT AND TRADEMARK OFFICE
CERTIFICATE OF CORRECTION

PATENT NO. : Des. 536,768 S
APPLICATION NO. : 29/255726
DATED : February 13, 2007
INVENTOR(S) : Giovanna Talocci

Page 1 of 1

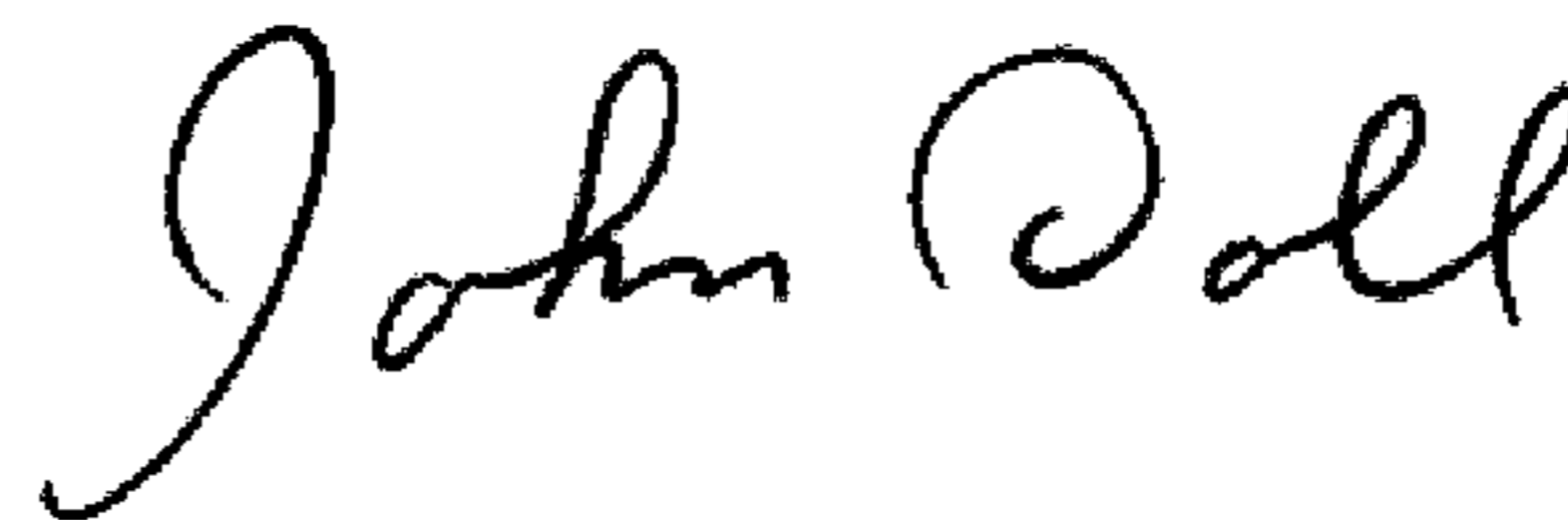
It is certified that error appears in the above-identified patent and that said Letters Patent is hereby corrected as shown below:

Title Page; item (30); should read; Foreign Application Priority Data

Aug. 27, 2004 (EU)219639

Signed and Sealed this

Seventh Day of April, 2009



JOHN DOLL

Acting Director of the United States Patent and Trademark Office