



US00D536765S

(12) **United States Design Patent**
McCaughan Hay

(10) **Patent No.:** **US D536,765 S**

(45) **Date of Patent:** **** Feb. 13, 2007**

(54) **NOZZLE**

D514,194 S * 1/2006 Sener et al. D23/213

(75) Inventor: **Christopher James McCaughan Hay**,
Hong Kong (HK)

* cited by examiner

Primary Examiner—Robin Webster

(73) Assignee: **Hayco Manufacturing Limited**, Hong
Kong (HK)

(74) *Attorney, Agent, or Firm*—Smith-Hill and Bedell

(**) Term: **14 Years**

(57) **CLAIM**

The ornamental design for “nozzle,” as shown and described.

(21) Appl. No.: **29/234,333**

DESCRIPTION

(22) Filed: **Jul. 14, 2005**

(51) **LOC (8) Cl.** **23-01**

(52) **U.S. Cl.** **D23/213**

(58) **Field of Classification Search** D23/213,
D23/223, 229–30; 239/282, 459, 525–7
See application file for complete search history.

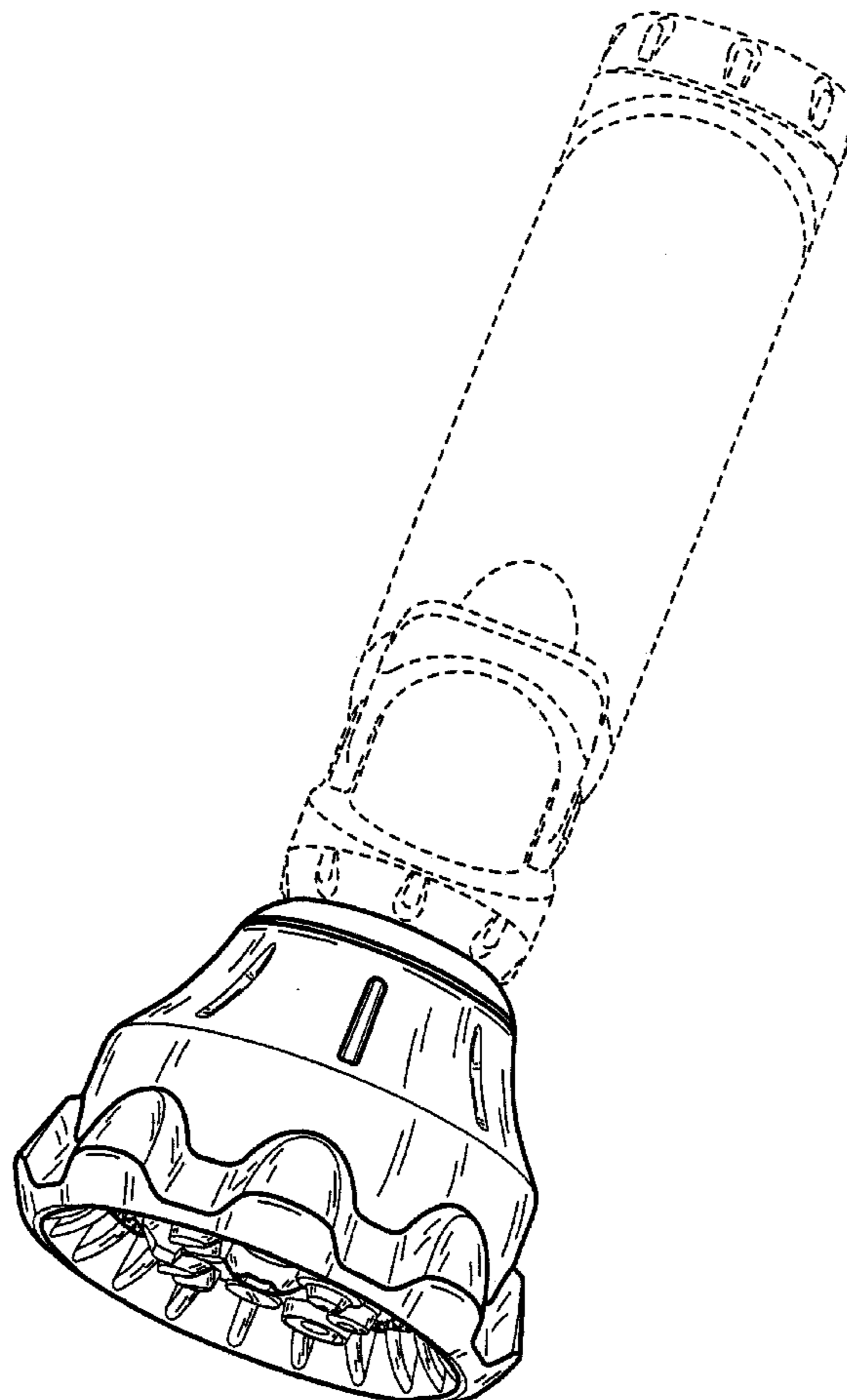
FIG. 1 is a front perspective view of a “nozzle” incorporating the design of my invention;
FIG. 2 is a top view thereof;
FIG. 3 is a bottom view thereof;
FIG. 4 is a side view thereof;
FIG. 5 is another side view thereof;
FIG. 6 is a rear view thereof;
FIG. 7 is a front view thereof; and,
FIG. 8 is an alternative perspective view showing the nozzle of FIG. 1 but fitted to a connector.
The phantom lines in FIG. 8 illustrates an environment of the design only but does not form part of the design of the claimed invention.

(56) **References Cited**

U.S. PATENT DOCUMENTS

3,150,829	A	*	9/1964	Specht et al.	239/107
3,539,112	A	*	11/1970	Thompson	239/452
D253,245	S	*	10/1979	Allenbaugh, Jr.	D23/213
4,469,279	A	*	9/1984	Allenbaugh, Jr.	239/453
D473,286	S	*	4/2003	Bonzer	D23/213

1 Claim, 8 Drawing Sheets



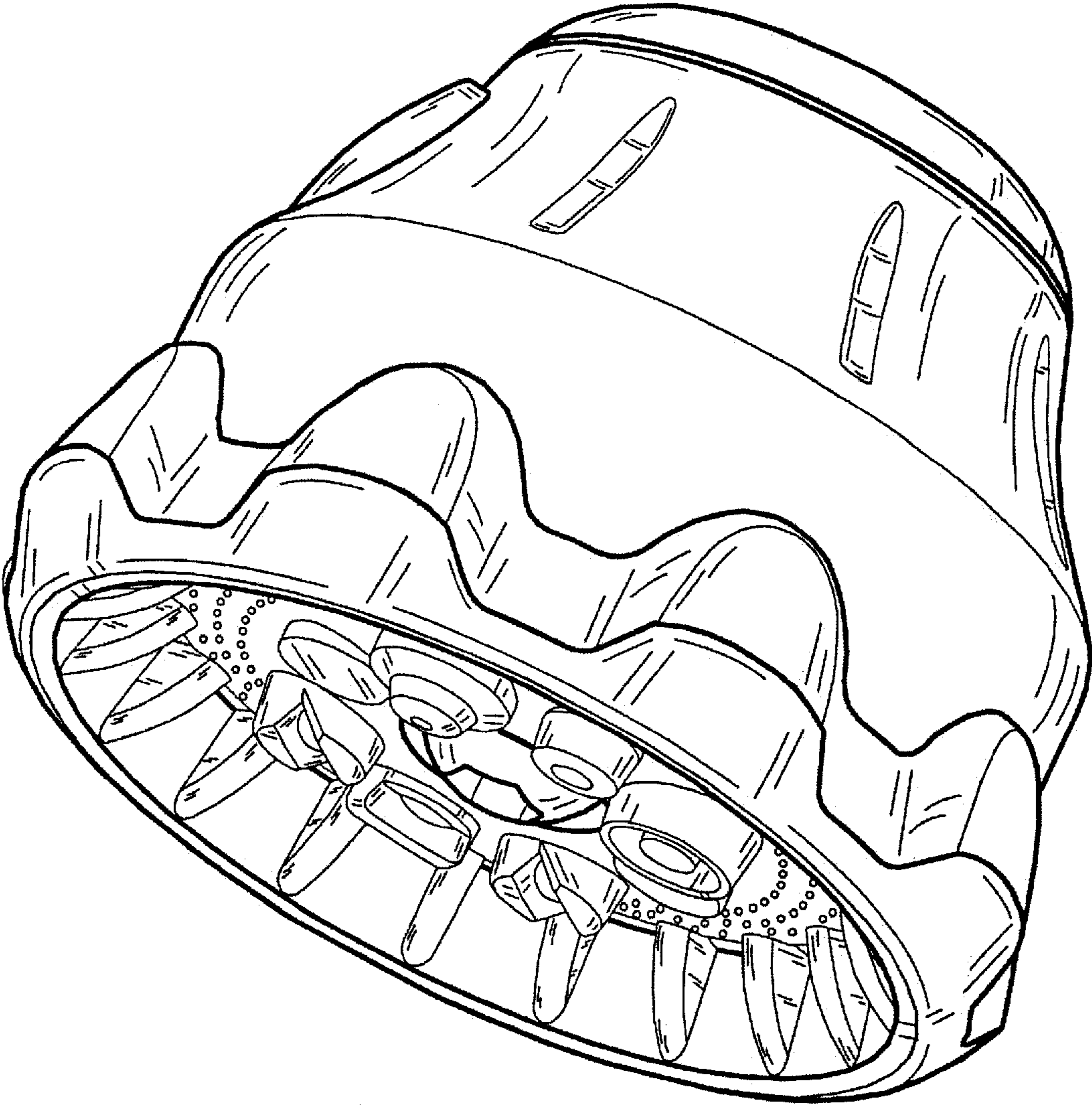


FIG. 1

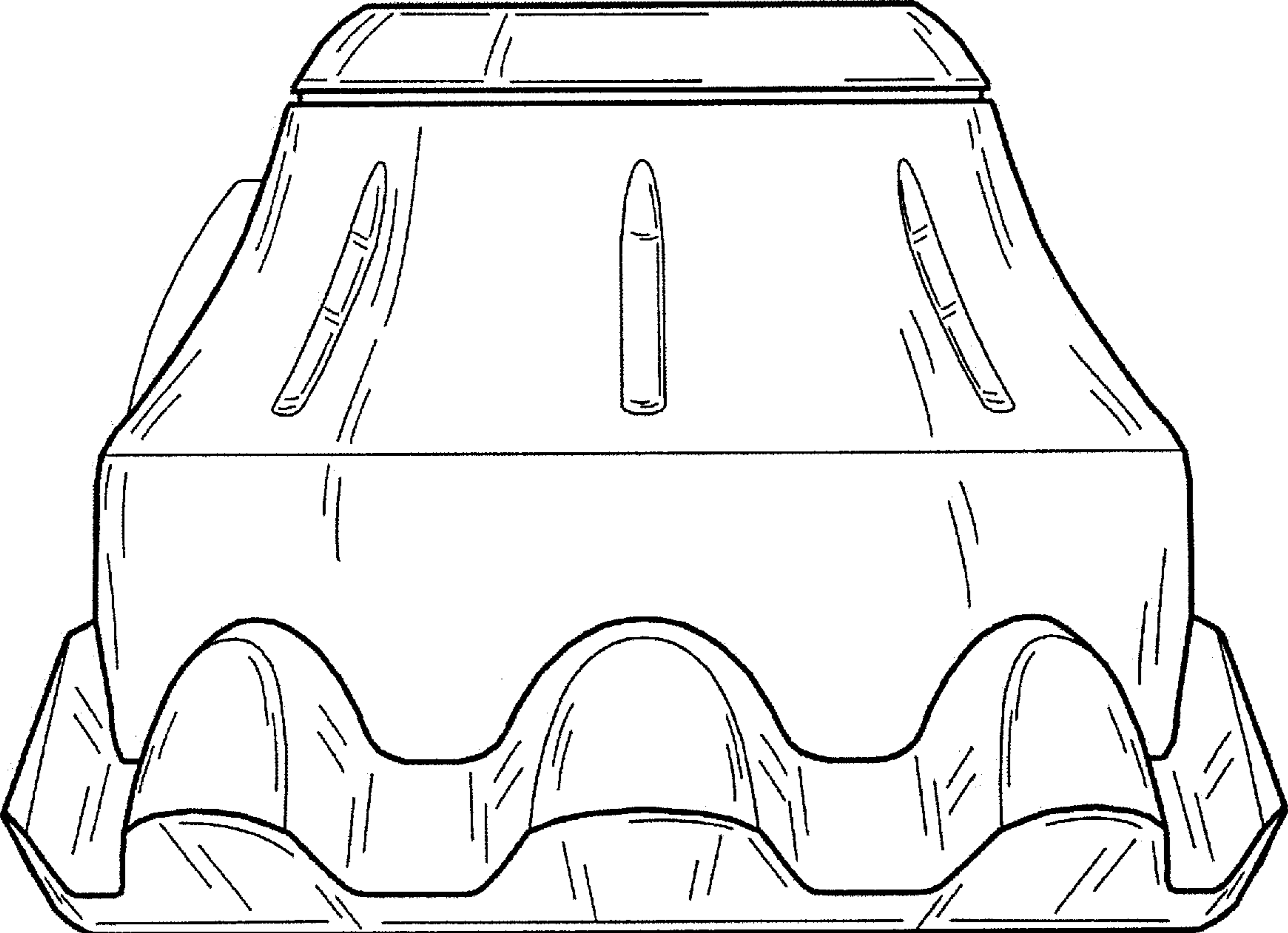


FIG. 2

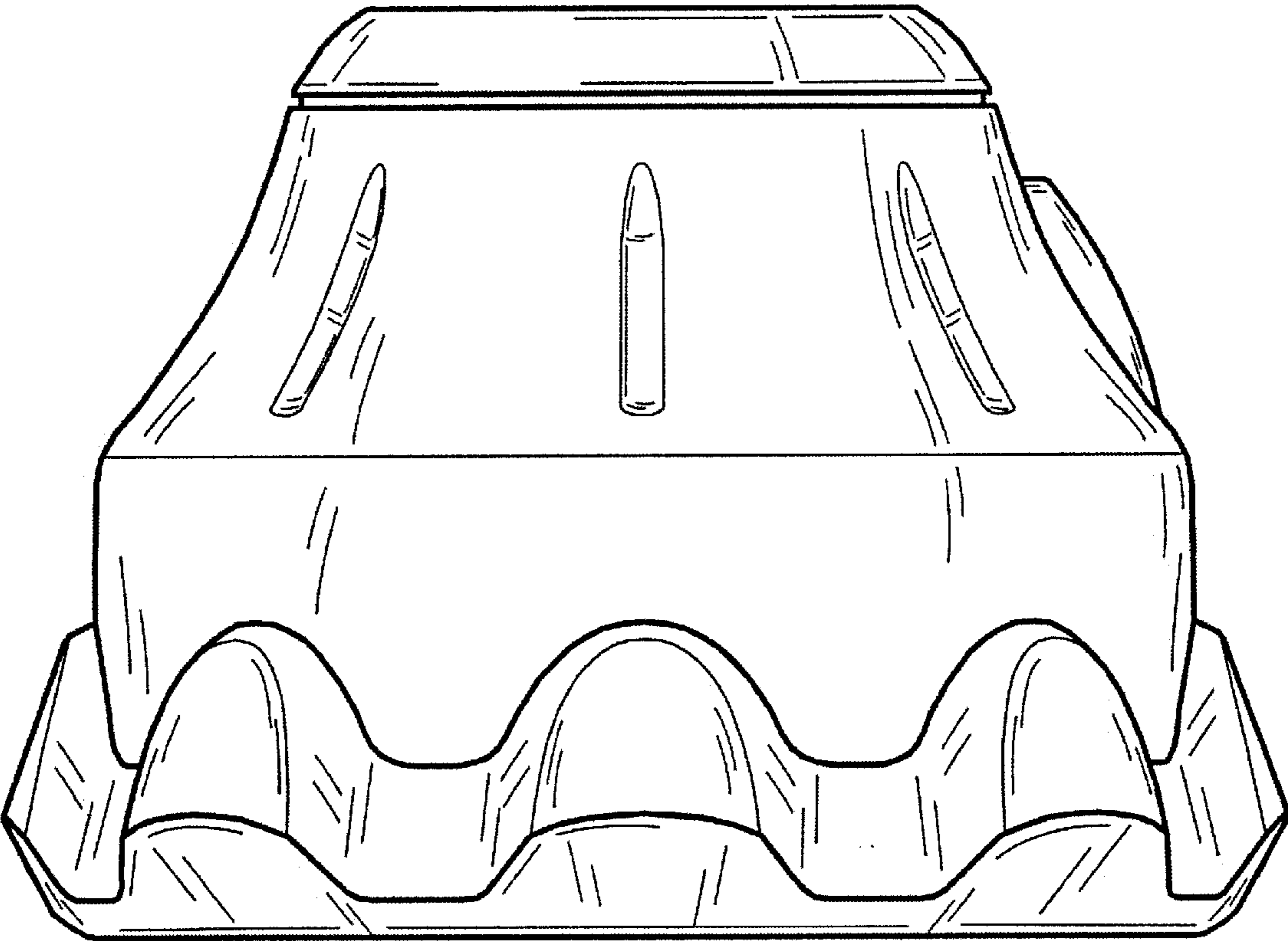


FIG. 3

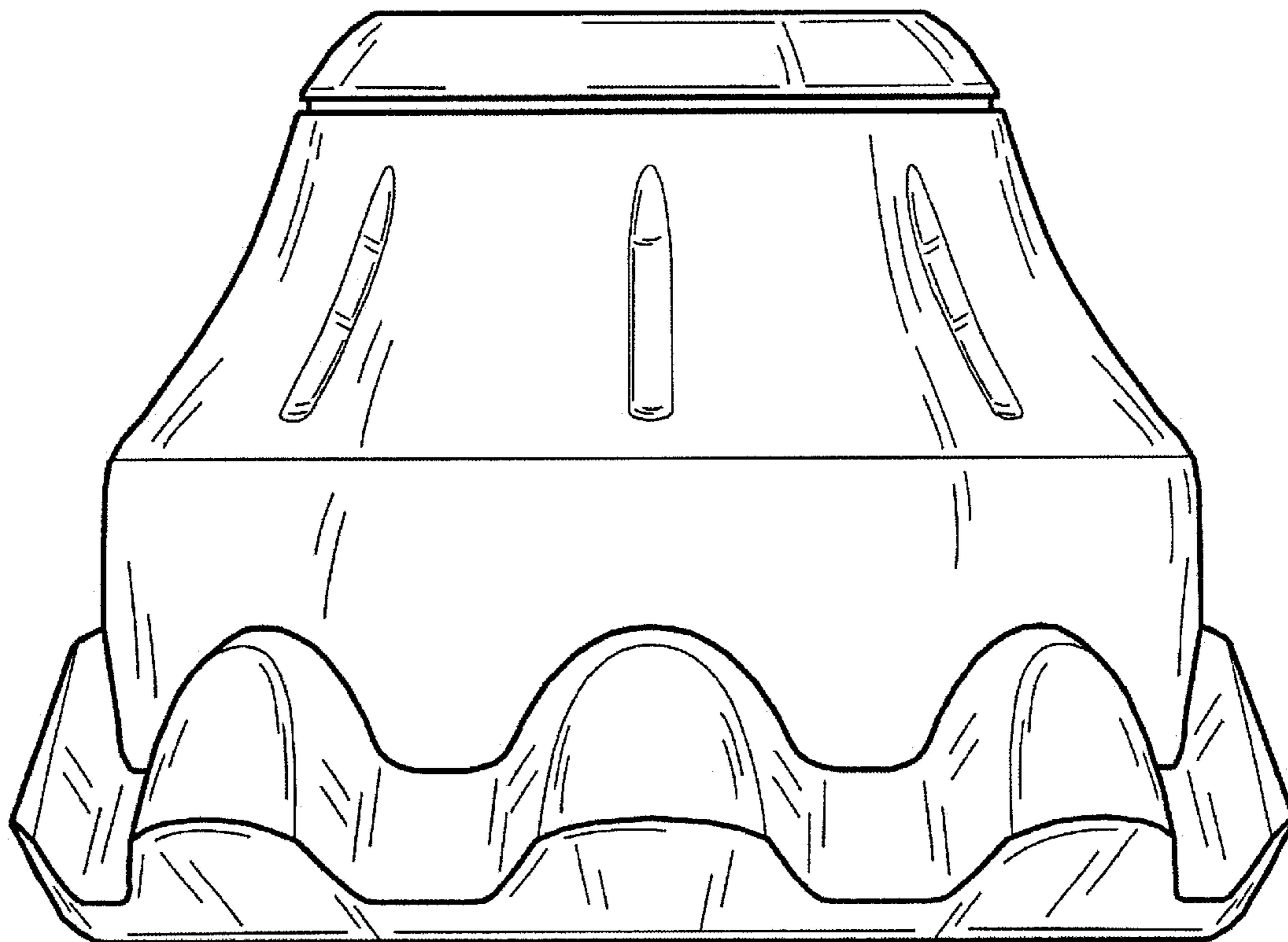


FIG. 4

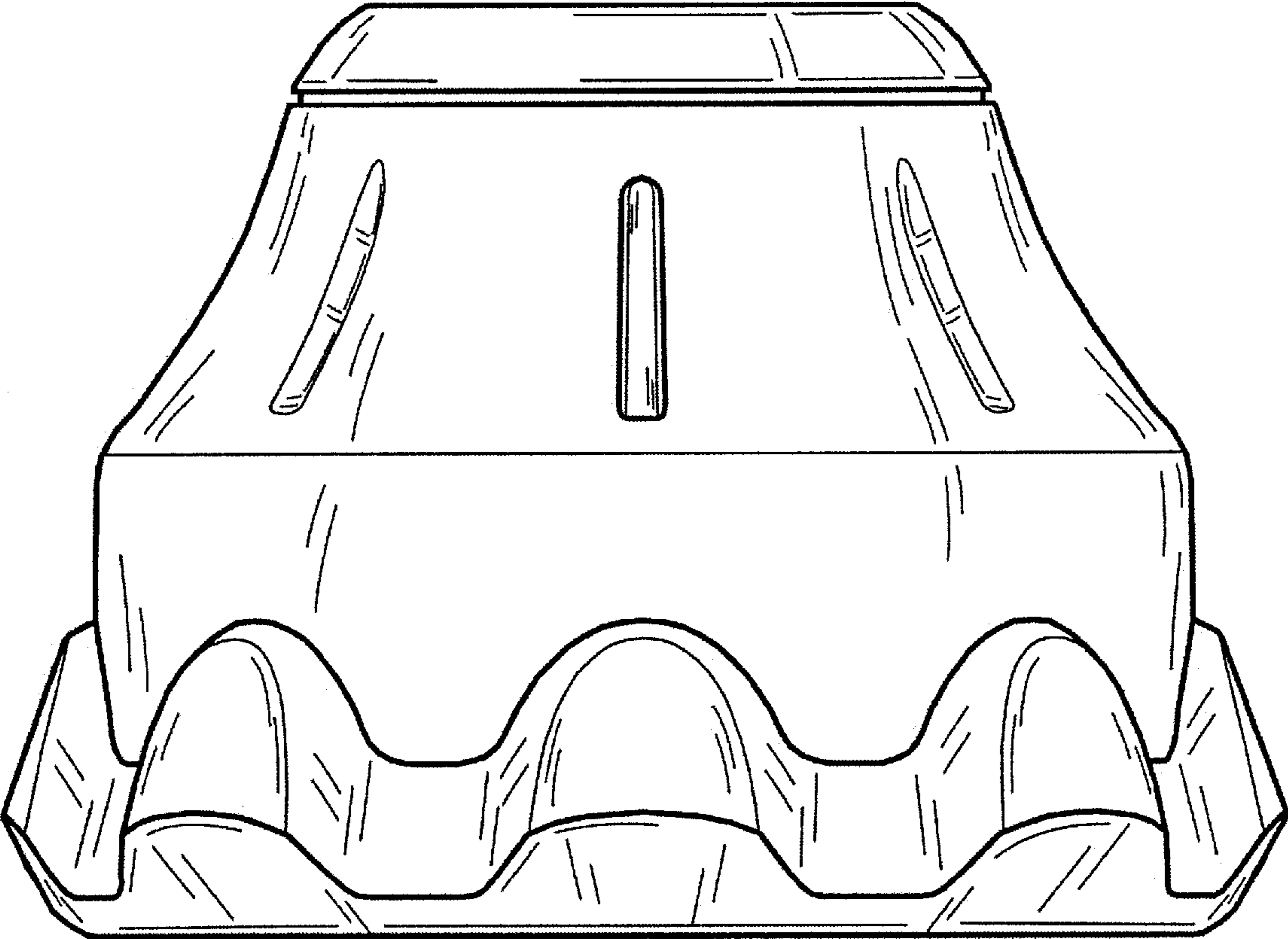


FIG. 5

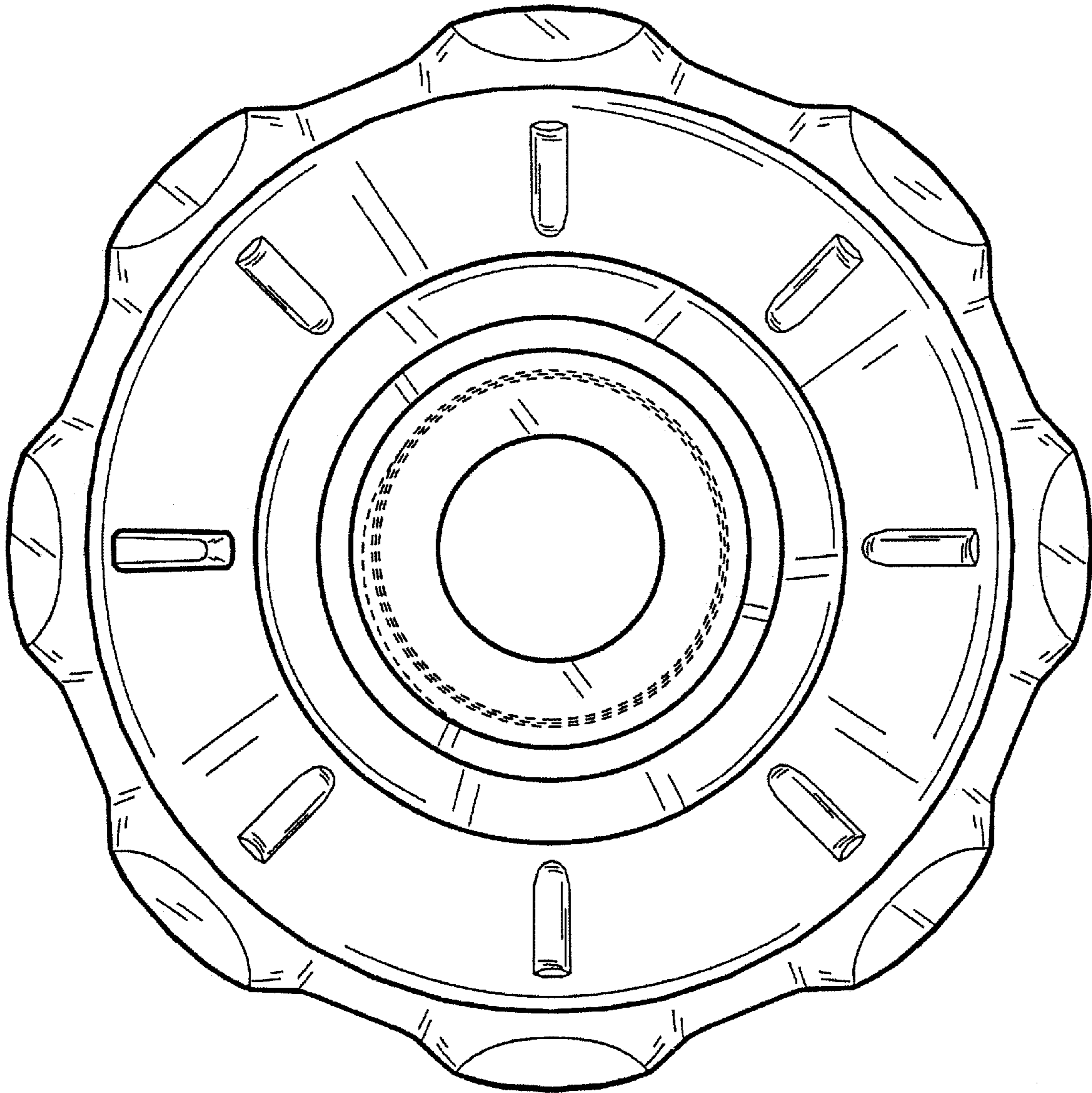


FIG. 6

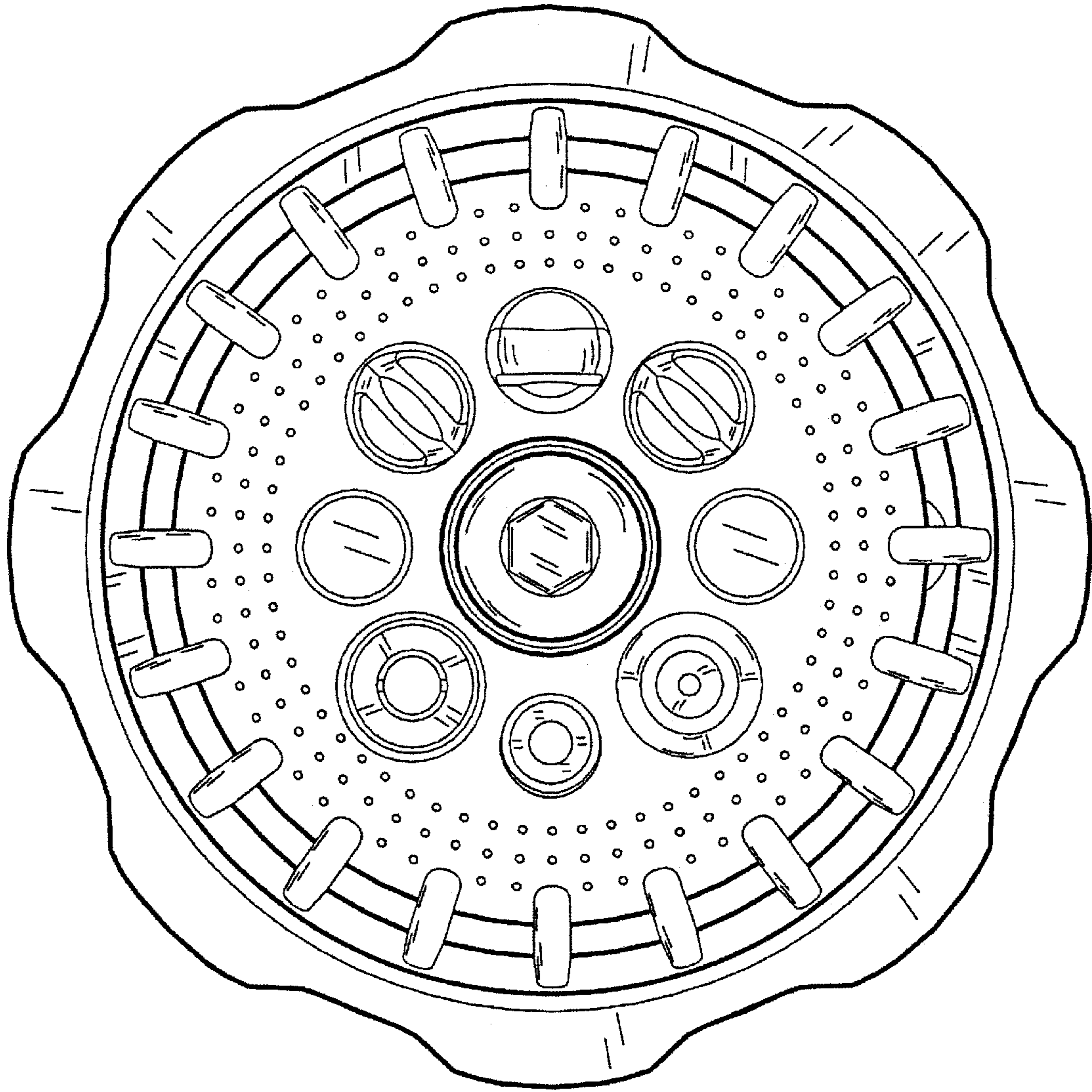


FIG. 7

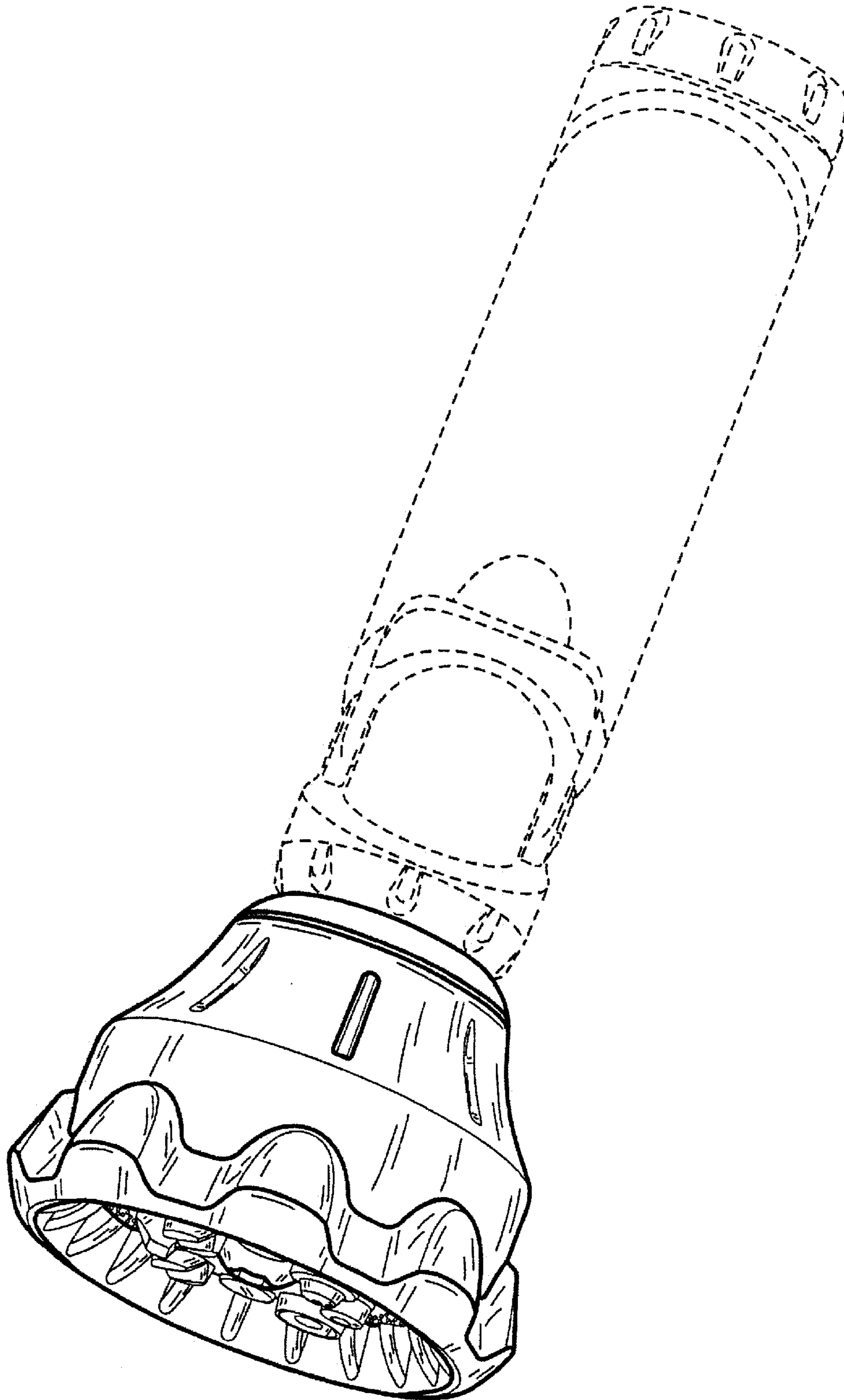


FIG. 8