

US00D536752S

(12) **United States Design Patent**  
**Walkerdine**

(10) **Patent No.:** **US D536,752 S**  
(45) **Date of Patent:** **\*\* Feb. 13, 2007**

(54) **WEIGHT TRAINING DEVICE**

2004/0005969 A1 \* 1/2004 Chen ..... 482/107

(75) Inventor: **Kenneth M. Walkerdine**, Rochester Hills, MI (US)

**OTHER PUBLICATIONS**

ND-552 Owner's Manual entitled Nautilus SelectTech Dumbbell dated 2003.  
Operational Instructions for Versa-Bell (no date).

(73) Assignee: **D.K.B. Group, LLC**, South Lyons, MI (US)

\* cited by examiner

(\*\*) Term: **14 Years**

*Primary Examiner*—Philip S. Hyder

(21) Appl. No.: **29/222,924**

(74) *Attorney, Agent, or Firm*—Rader, Fishman & Grauer PLLC

(22) Filed: **Feb. 4, 2005**

(51) **LOC (8) Cl.** ..... **21-02**

(57) **CLAIM**

(52) **U.S. Cl.** ..... **D21/681**

I claim the ornamental design for a weight training device, as shown and described.

(58) **Field of Classification Search** ..... D21/662,  
D21/680, 681, 682, 683, 684; 482/106, 107,  
482/108, 105, 139

**DESCRIPTION**

See application file for complete search history.

FIG. 1 is a top perspective view of the weight training device design of the present invention;

(56) **References Cited**

**U.S. PATENT DOCUMENTS**

3,913,908	A	10/1975	Speyer	
D359,778	S	6/1995	Towley, III et al.	
5,839,997	A	11/1998	Roth et al.	
D422,654	S	* 4/2000	Chen	D21/681
6,196,952	B1	* 3/2001	Chen	482/107
6,228,003	B1	* 5/2001	Hald et al.	482/107
6,261,022	B1	* 7/2001	Dalebout et al.	482/107
6,416,446	B1	* 7/2002	Krull	482/108
D474,522	S	* 5/2003	Monroe	D21/803
6,656,093	B2	* 12/2003	Chen	482/108
D498,272	S	* 11/2004	Sanford-Schwentke et al.	D21/681

FIG. 2 is a side elevation view of the weight training device design of the present invention.

FIG. 3 is a top view of the weight training device design of the present invention.

FIG. 4 is a bottom view of the weight training device design of the present invention.

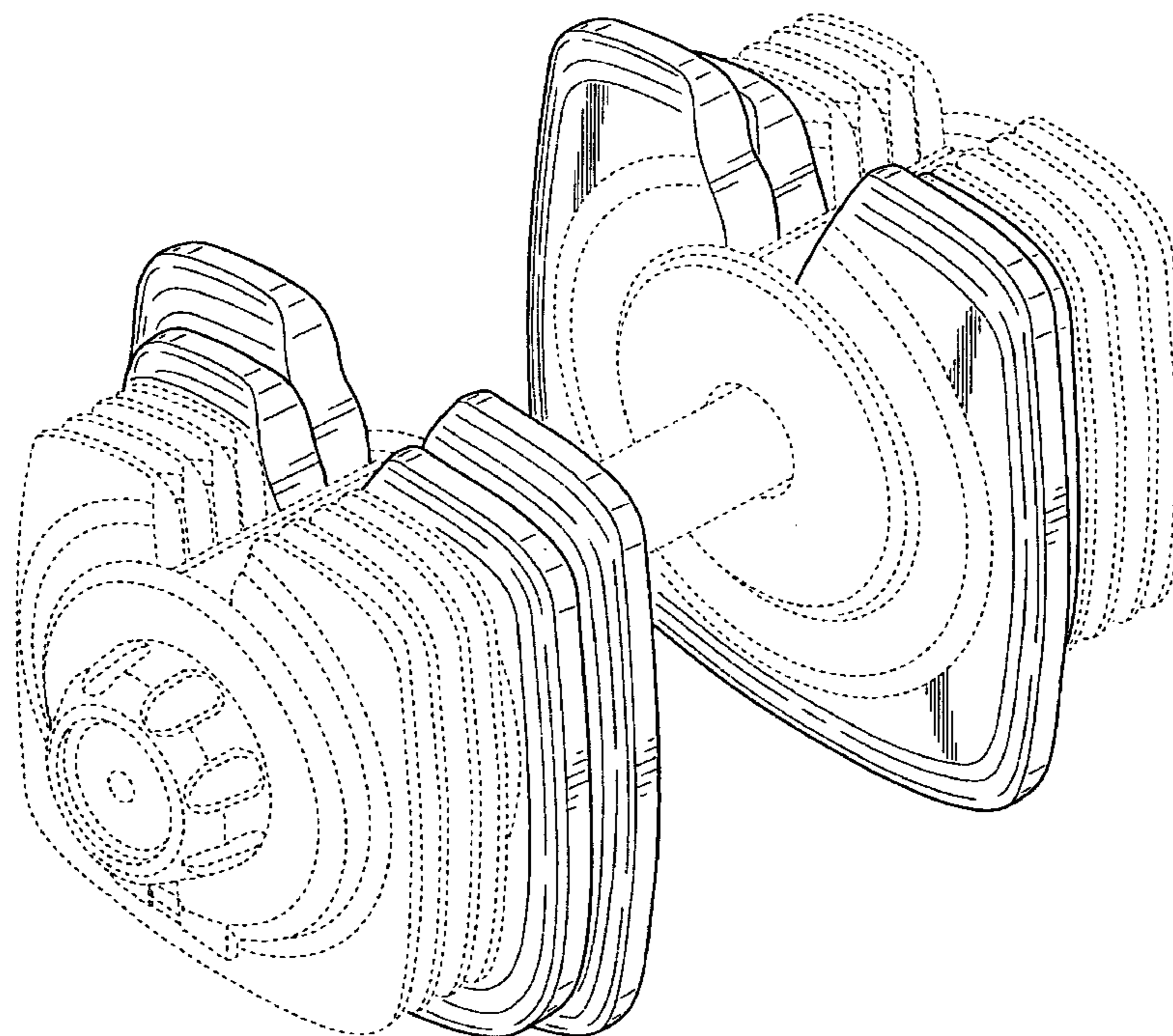
FIG. 5 is a first end view of the weight training device design of the present invention; and

FIG. 6 is the opposite end view of the weight training device design of the present invention.

The broken line portions of the disclosure are for illustrative purposes only and form no part of the claimed design.

2004/0005968 A1 \* 1/2004 Crawford et al. .... 482/106

**1 Claim, 6 Drawing Sheets**



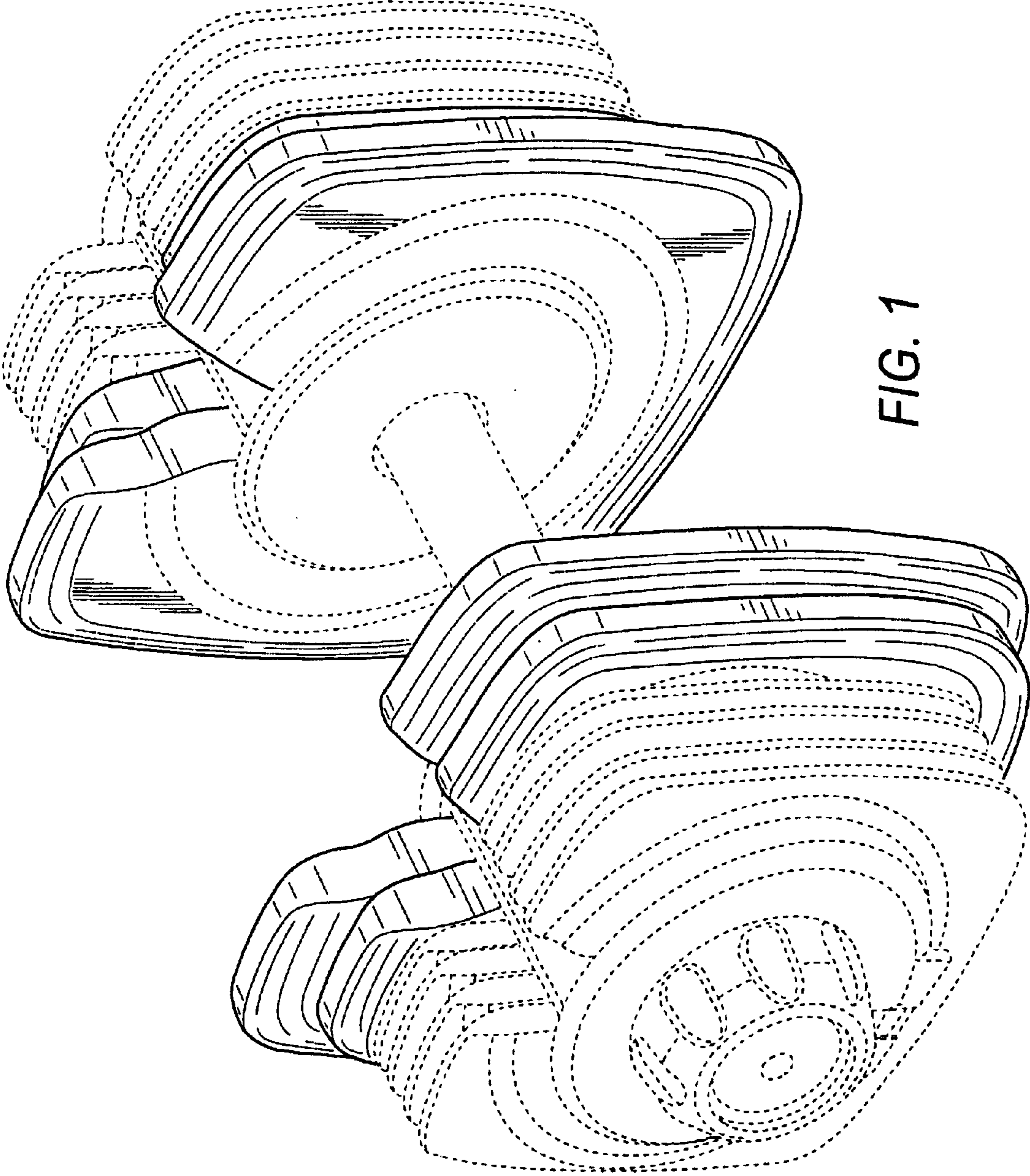


FIG. 1

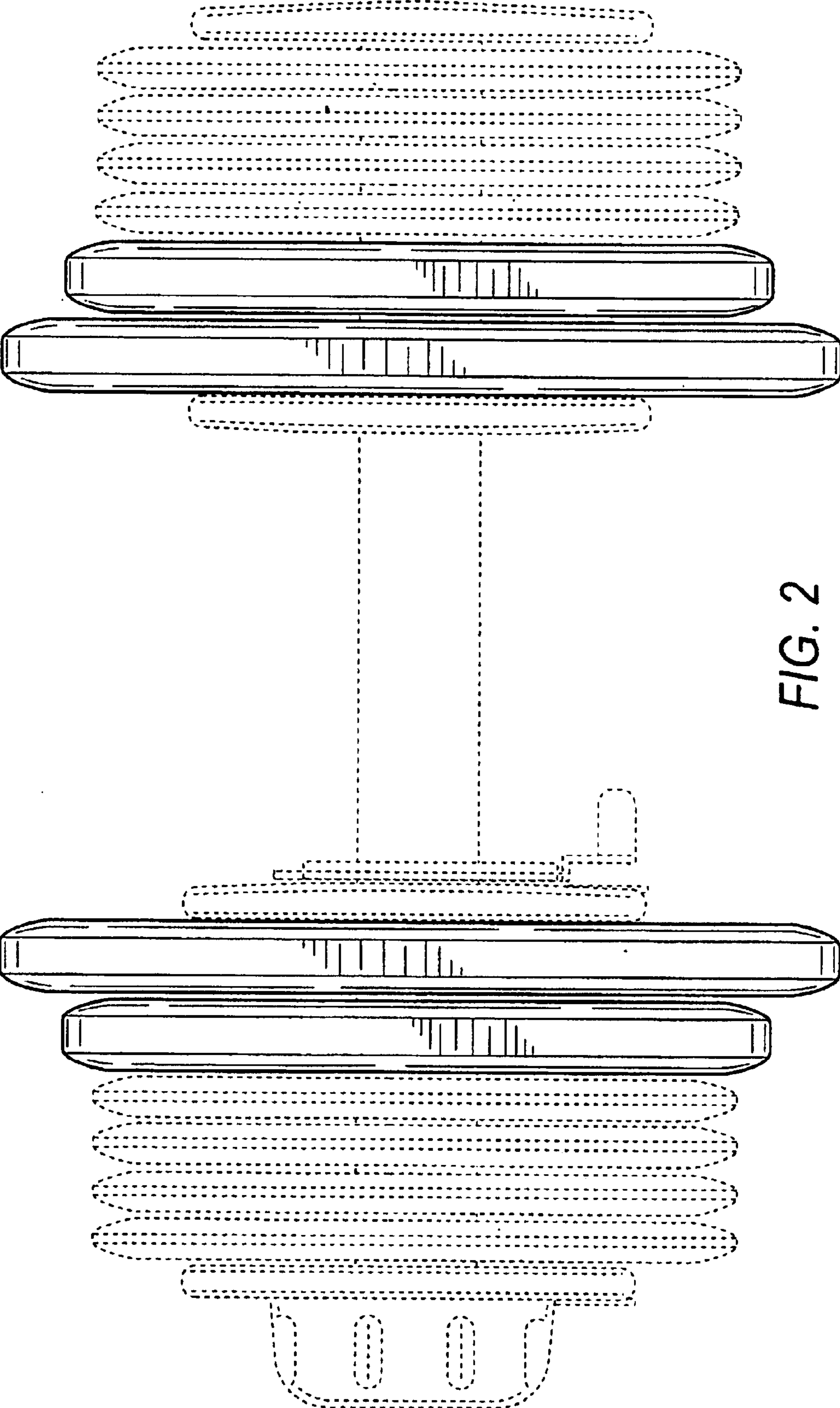


FIG. 2

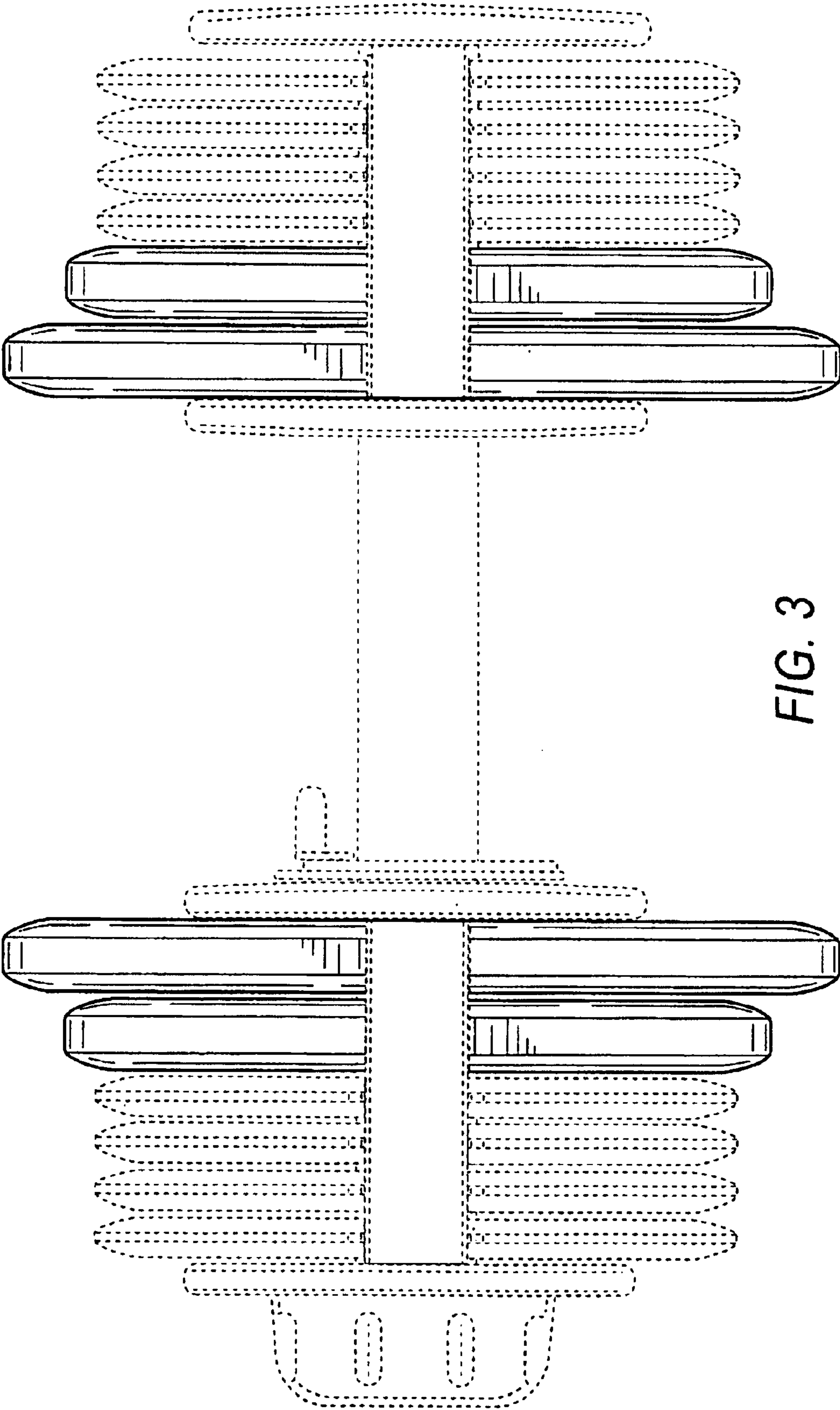


FIG. 3

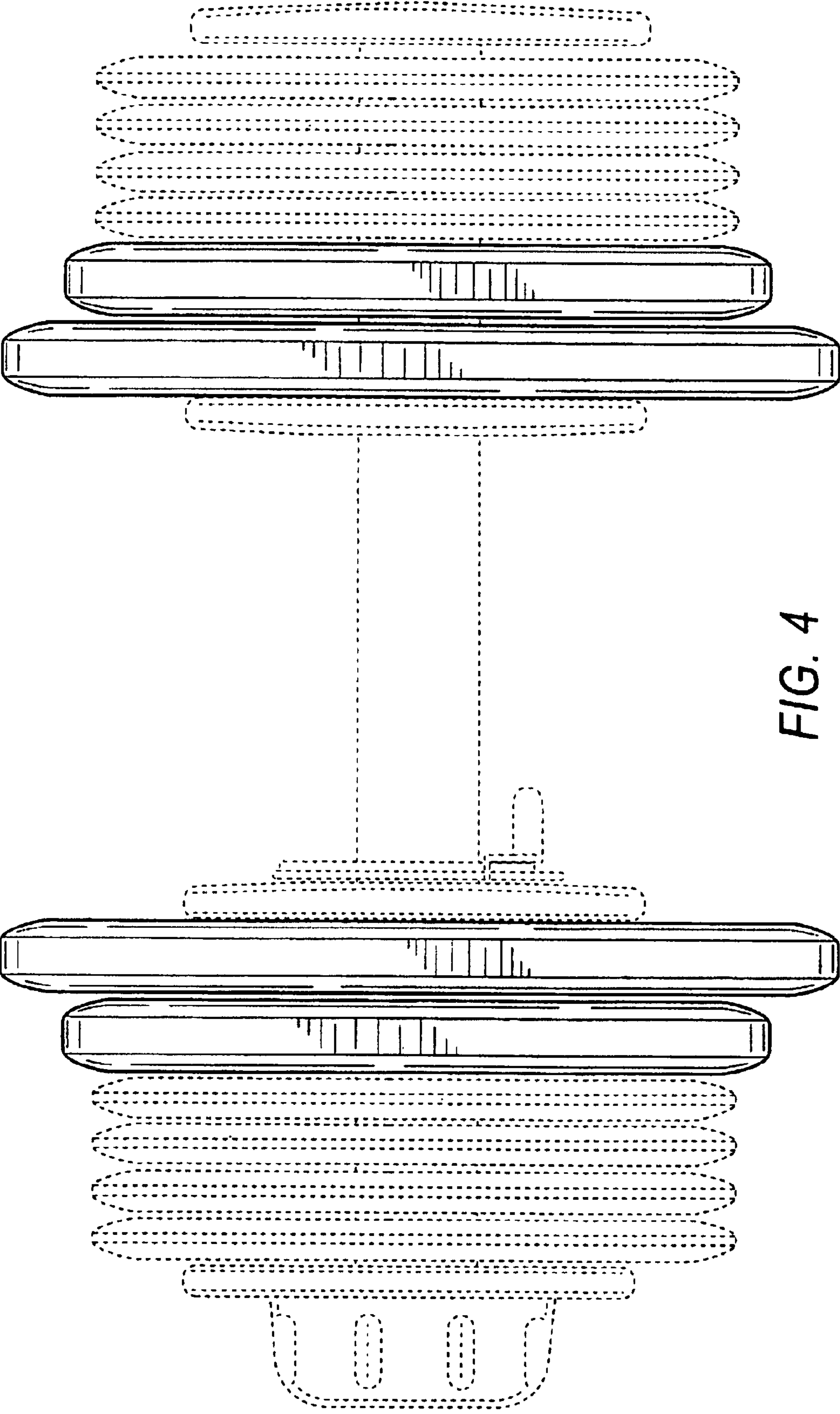


FIG. 4

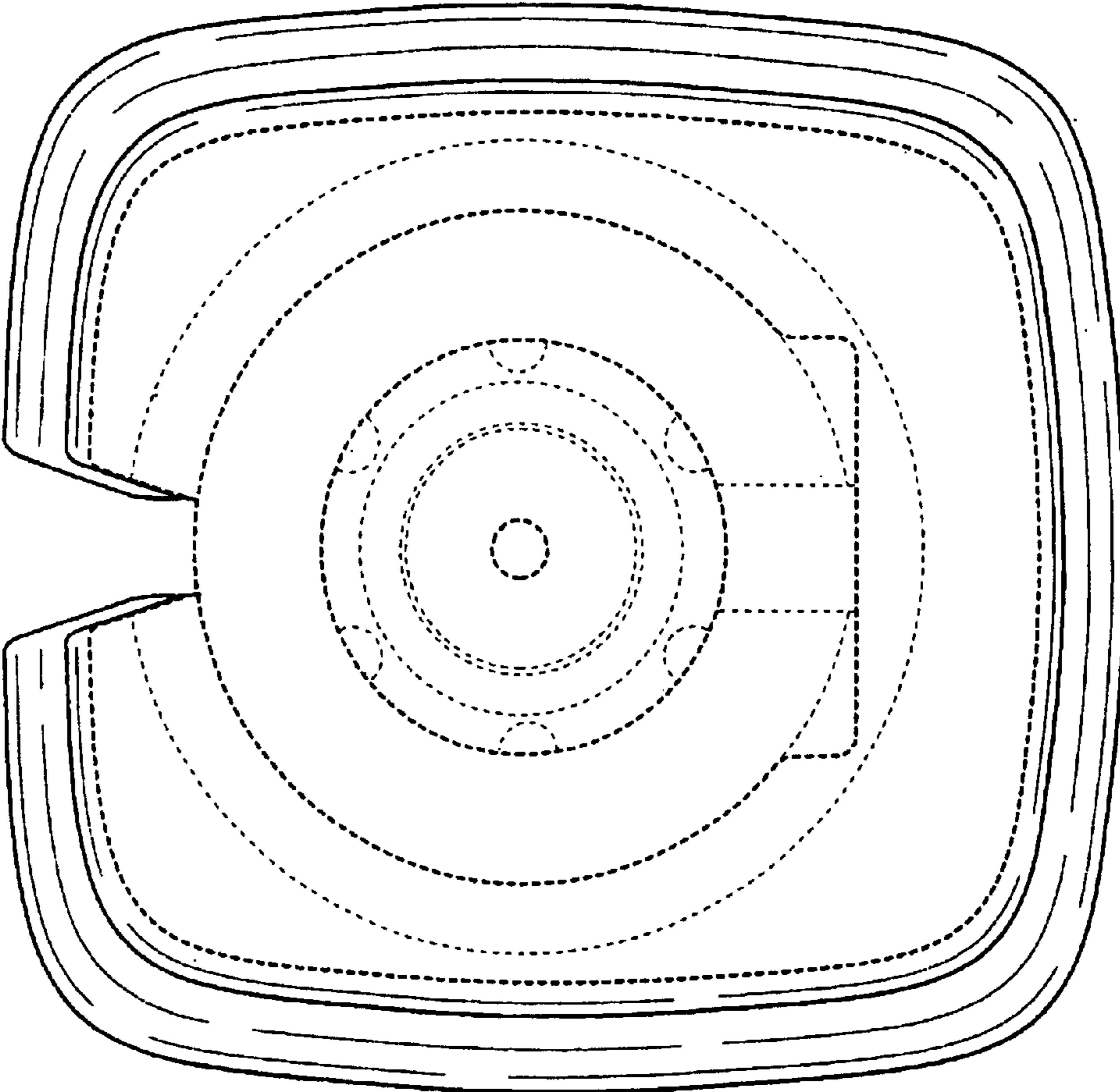


FIG. 5

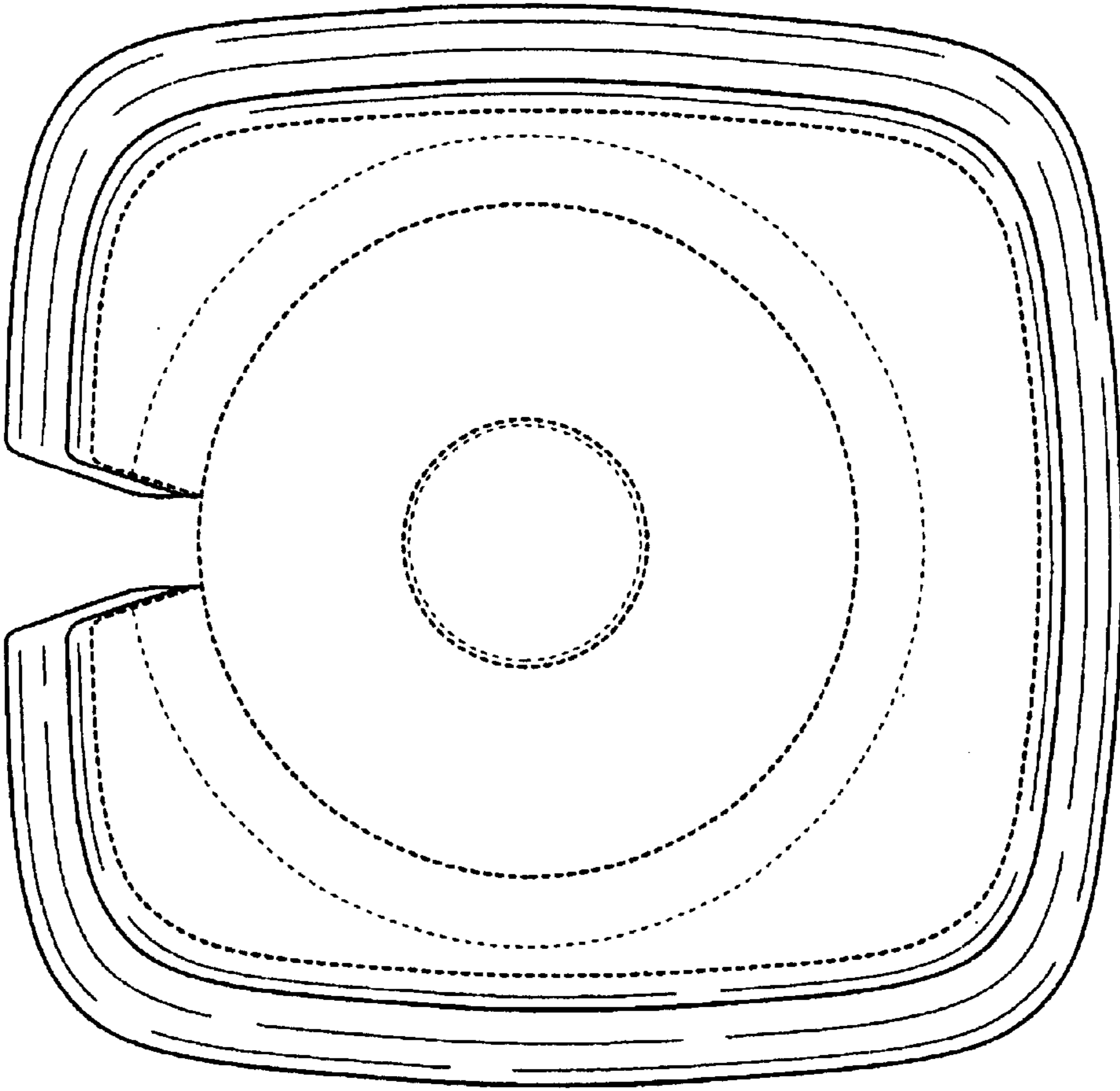


FIG. 6