



US00D536744S

(12) **United States Design Patent** (10) **Patent No.:** **US D536,744 S**
Wizenberg et al. (45) **Date of Patent:** **** Feb. 13, 2007**

(54) **TOY GLIDER**

(75) Inventors: **Anatol Wizenberg**, Kowloon (HK); **Peter Dean**, Pok Fu Lam (HK); **Wai Bun Choi**, Chai Wah (HK); **Ming To Chan**, Chai Wan (HK); **Lai Hong Man**, Ma On Shan (HK)

(73) Assignee: **Worldmarks Limited**, Tortola (VG)

(**) Term: **14 Years**

(21) Appl. No.: **29/197,178**

(22) Filed: **Jan. 12, 2004**

(51) **LOC (8) Cl.** **21-01**

(52) **U.S. Cl.** **D21/421; D21/416**

(58) **Field of Classification Search** D21/412-416, D21/419-435, 533, 760, 548-560, 562-565, D21/771, 779, 71; D12/107, 110, 11, 111, D12/112, 1; 280/278, 287, 246, 87.01, 87.04, 280/87.041, 87.042, 87.05, 1.13, 828, 87.021, 280/827, 200, 47.131, 47.11; 446/465, 470, 446/451, 452, 412

See application file for complete search history.

(56) **References Cited**

U.S. PATENT DOCUMENTS

D48,535 S *	2/1916	Twyeffort	D21/421
D151,910 S *	11/1948	Mellor	D21/421
D182,952 S *	6/1958	Frisk	D21/421
D309,645 S *	7/1990	Kuen	D21/421
5,041,043 A *	8/1991	Hoke	446/452
D361,799 S *	8/1995	Ferreira	D21/421
D404,774 S *	1/1999	Kovach	D21/421
D409,673 S *	5/1999	Rodriguez, II	D21/421
6,780,076 B2 *	8/2004	Horchler et al.	446/29

* cited by examiner

Primary Examiner—Raphael Barkai

Assistant Examiner—Randall H. Gholson

(74) *Attorney, Agent, or Firm*—DLA Piper Rudnick Gray Cary US LLP

(57) **CLAIM**

The ornamental design for a toy glider, as shown and described.

DESCRIPTION

FIG. 1 is a front view of a toy glider according to a first exemplary embodiment of the present invention;

FIG. 2 is a rear view of the toy glider shown in FIG. 1;

FIG. 3 is a side view of the toy glider shown in FIG. 1;

FIG. 4 is a top view of the toy glider shown in FIG. 1;

FIG. 5 is a bottom view of the toy glider shown in FIG. 1; and,

FIG. 6 is a front perspective view of the toy glider shown in FIG. 1.

FIG. 7 is a rear perspective view of the toy glider shown in FIG. 1;

FIG. 8 is a front view of a toy glider according to a second exemplary embodiment of the present invention;

FIG. 9 is a rear view of the toy glider shown in FIG. 8;

FIG. 10 is a side view of the toy glider shown in FIG. 8;

FIG. 11 is a top view of the toy glider shown in FIG. 8;

FIG. 12 is a bottom view of the toy glider shown in FIG. 8;

FIG. 13 is a front perspective view of the toy glider shown in FIG. 8;

FIG. 14 is a rear perspective view of the toy glider shown in FIG. 8;

FIG. 15 is a front view of a toy glider according to a third exemplary embodiment of the present invention;

FIG. 16 is a rear view of the toy glider shown in FIG. 15;

FIG. 17 is a side view of the toy glider shown in FIG. 15;

FIG. 18 is a top view of the toy glider shown in FIG. 15;

FIG. 19 is a bottom view of the toy glider shown in FIG. 15;

FIG. 20 is a front perspective view of the toy glider shown in FIG. 15;

FIG. 21 is a rear perspective view of a toy glider shown in FIG. 15;

FIG. 22 is a front view of a toy glider according to a fourth exemplary embodiment of the present invention;

FIG. 23 is a rear view of the toy glider shown in FIG. 22;

FIG. 24 is a side view of the toy glider shown in FIG. 22;

FIG. 25 is a top view of the toy glider shown in FIG. 22;

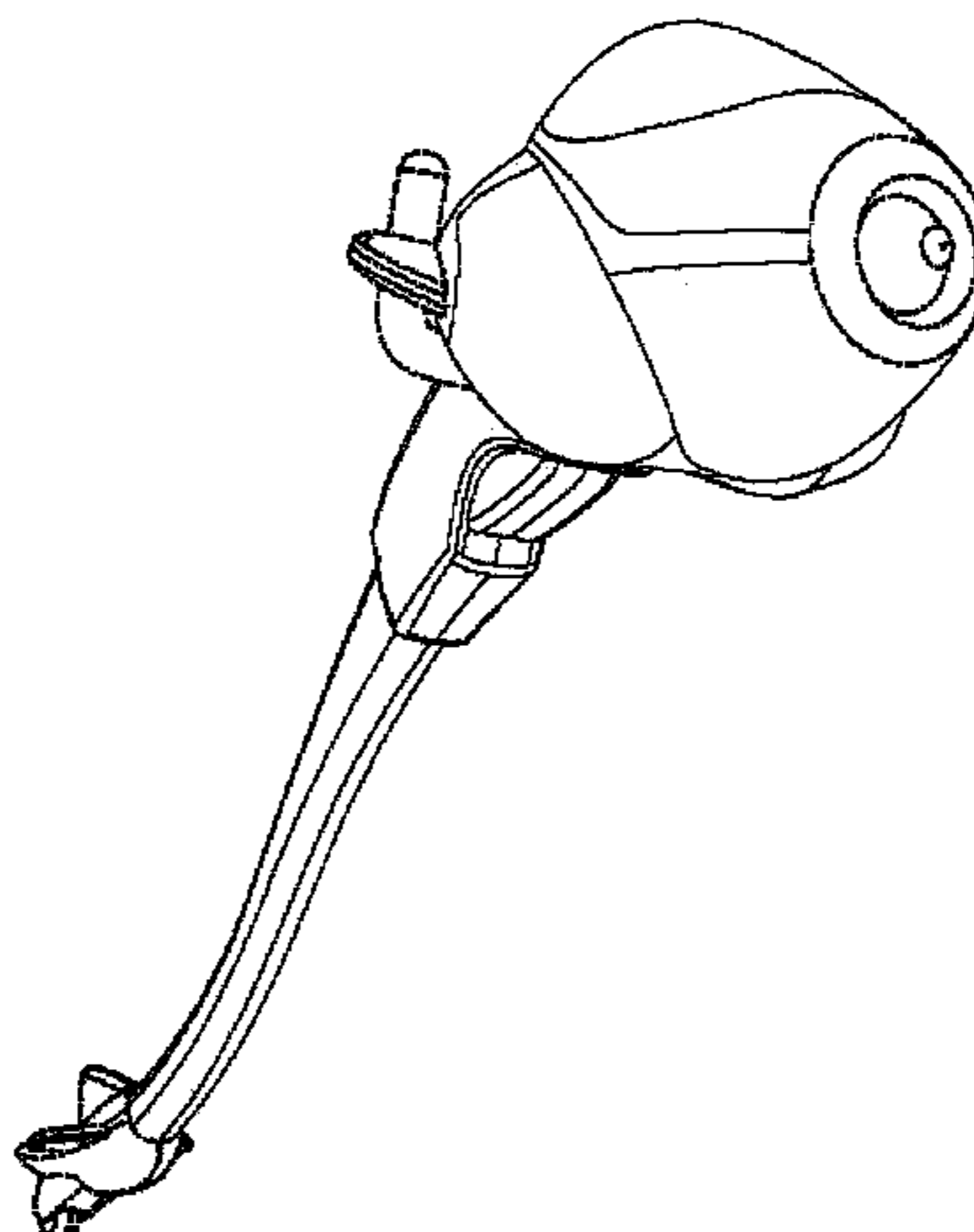


FIG. 26 is a bottom view of the toy glider shown in FIG. 22;
FIG. 27 is a front perspective view of the toy glider shown
in FIG. 22; and ,

FIG. 28 is rear perspective view of the toy glider shown in
FIG. 22.

FIG. 29 is a front view of a toy glider according to a fifth
exemplary embodiment of the present invention;

FIG. 30 is a rear view of the toy glider shown in FIG. 29;

FIG. 31 is a side view of the toy glider shown in FIG. 29;

FIG. 32 is a top view of the toy glider shown in FIG. 29 ;

FIG. 33 is bottom view of the toy glider shown in FIG. 29;

FIG. 34 is front perspective view of the toy glider shown in
FIG. 29 ;

FIG. 35 is rear perspective view of the toy glider shown in
FIG. 29 ;

FIG. 36 is a front view of a toy glider according to a sixth
exemplary embodiment of the present invention;

FIG. 37 is a rear view of the toy glider shown in FIG. 36;

FIG. 38 is side view of the toy glider shown in FIG. 36;

FIG. 39 is a top view of the toy glider shown in FIG. 36;

FIG. 40 is a bottom view of the toy glider shown in FIG. 36;

FIG. 41 is a front perspective view of the toy glider shown
in FIG. 36 ; and,

FIG. 42 is a rear perspective view of the toy glider shown in
FIG. 36 .

The portions of FIGS. 1-42 shown in broken lines are not
intended to form part of the claimed invention.

1 Claim, 24 Drawing Sheets

FIGURE 1

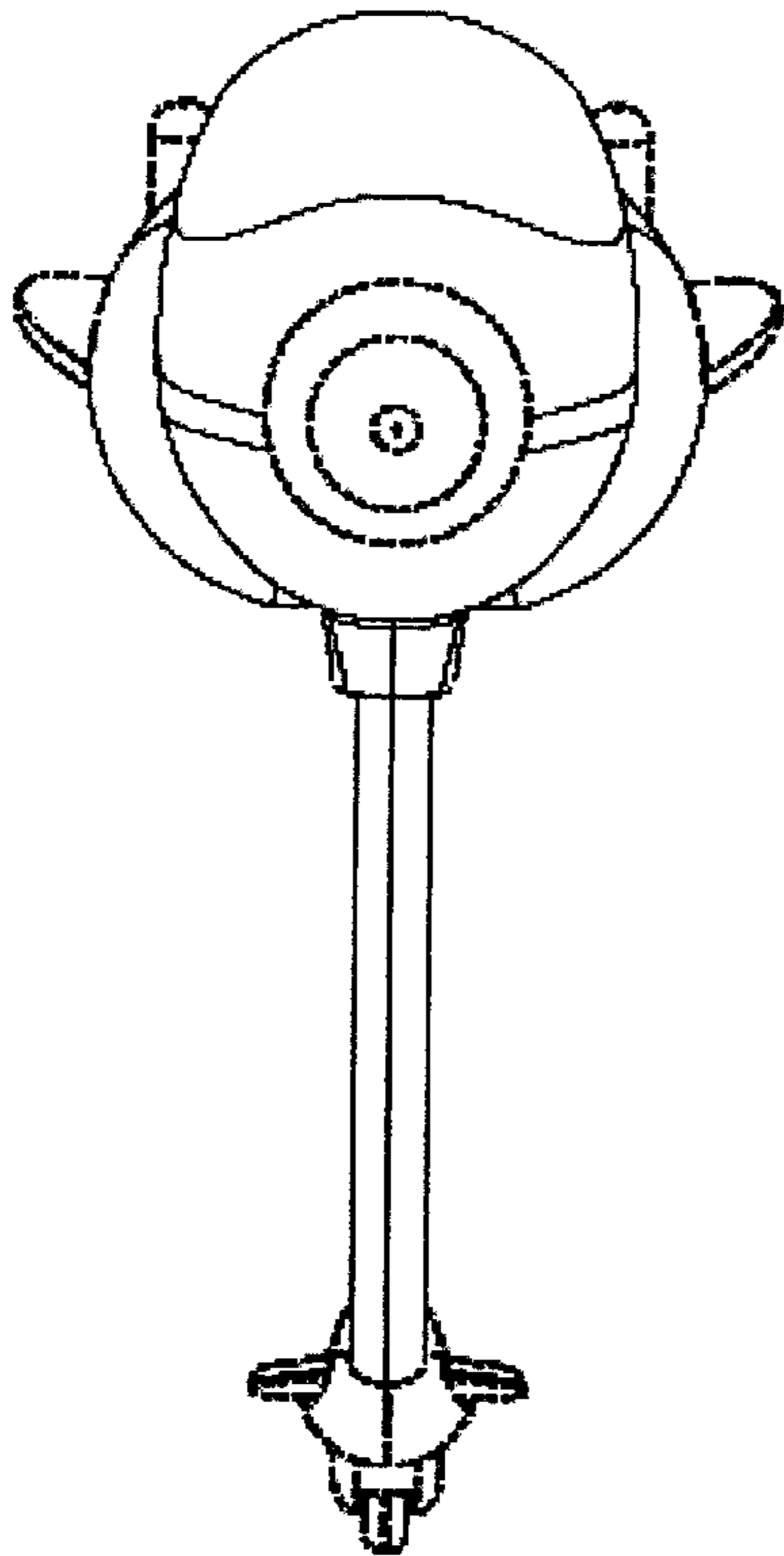
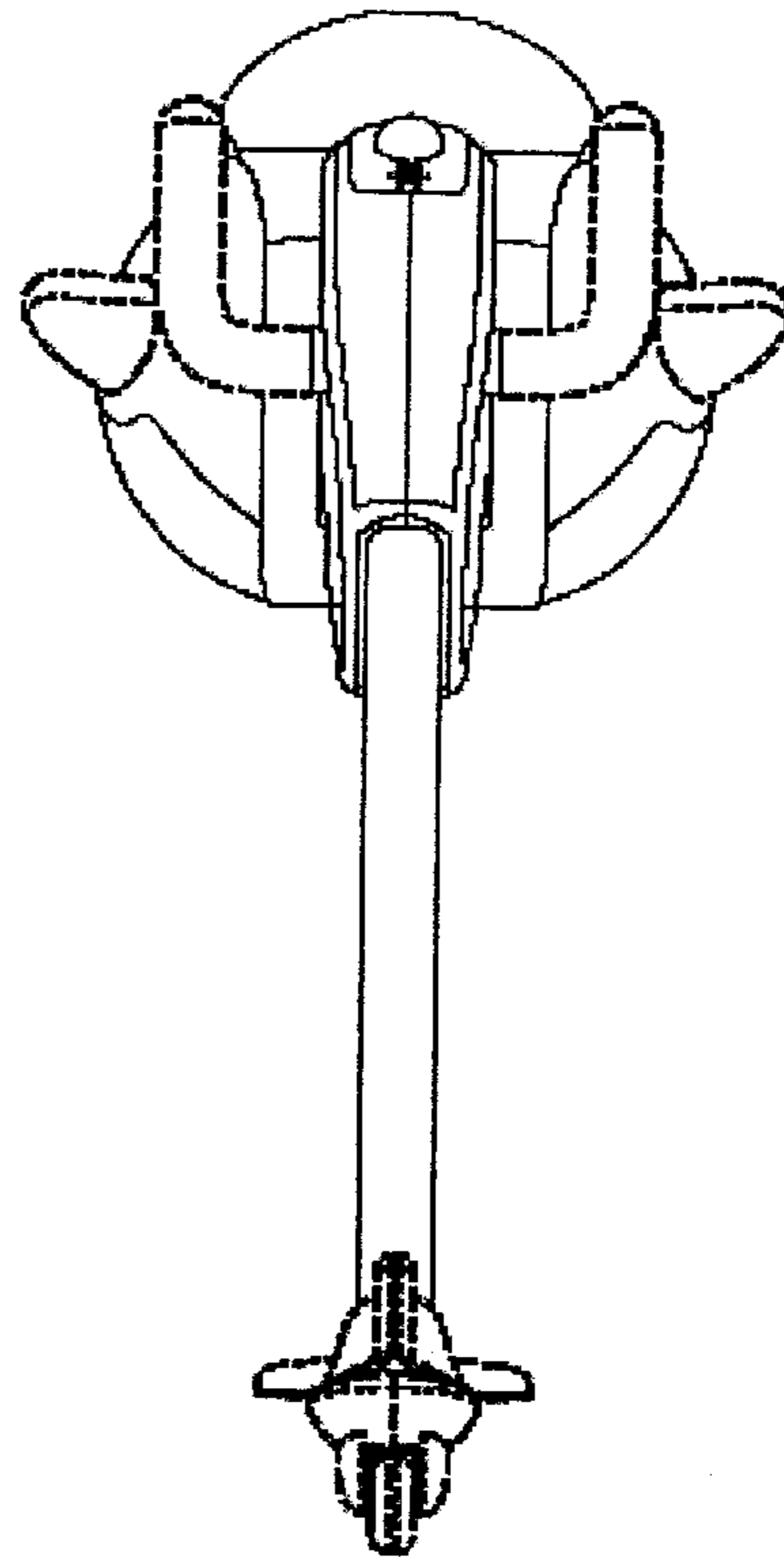


FIGURE 2



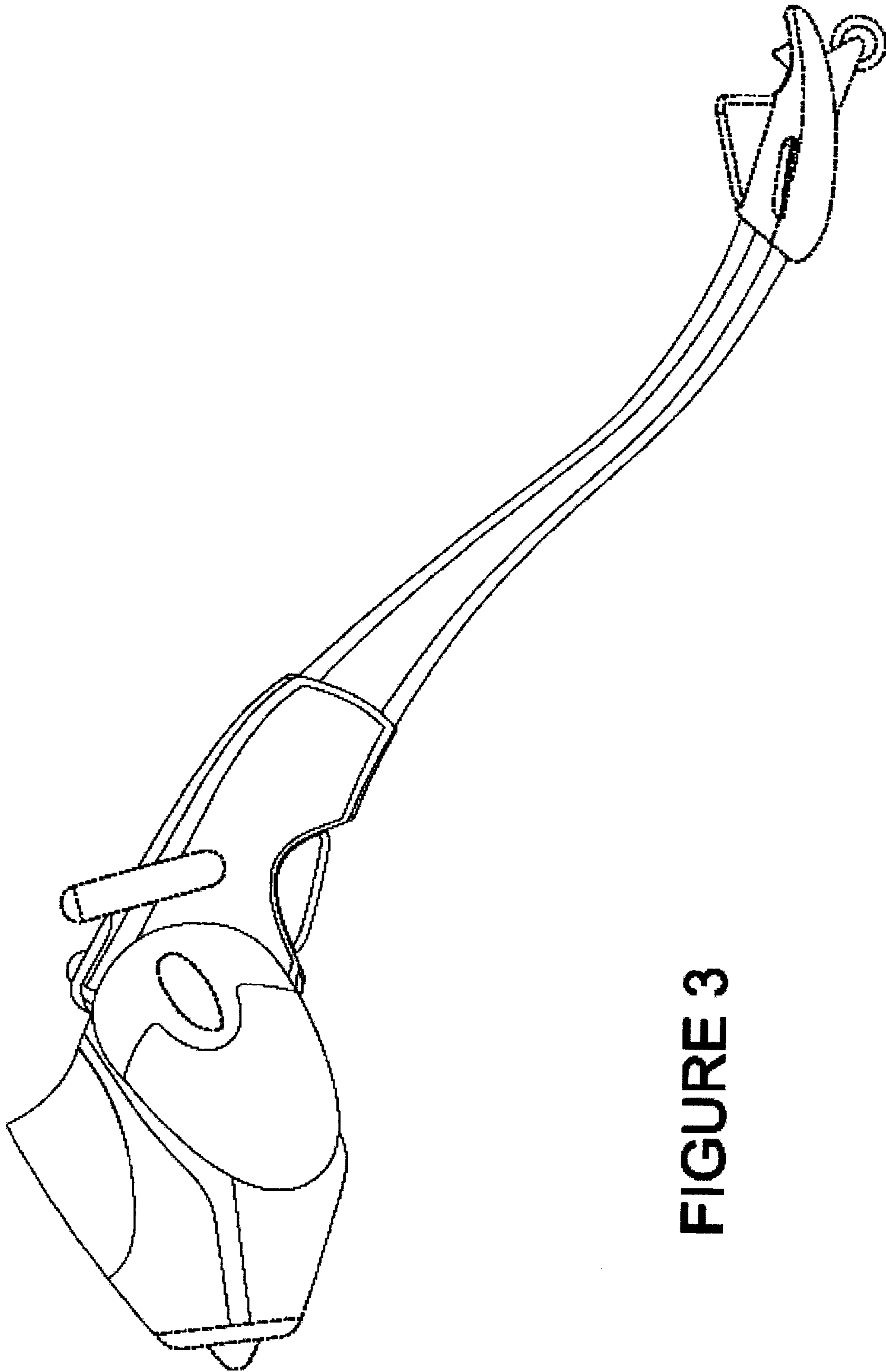


FIGURE 3

FIGURE 4

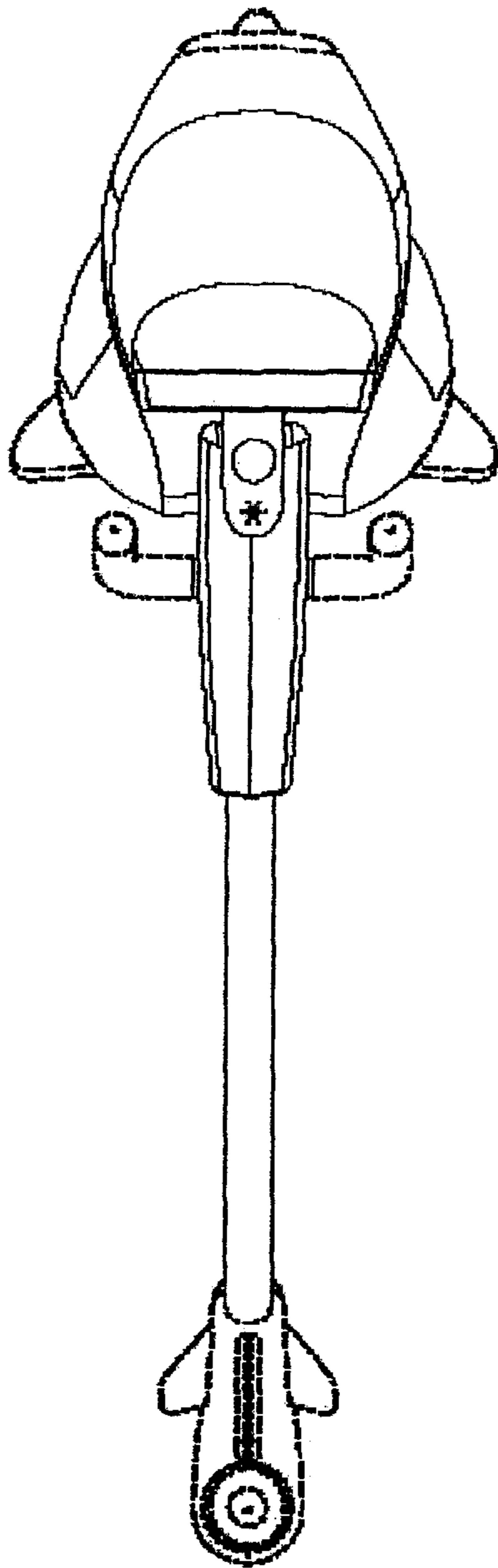
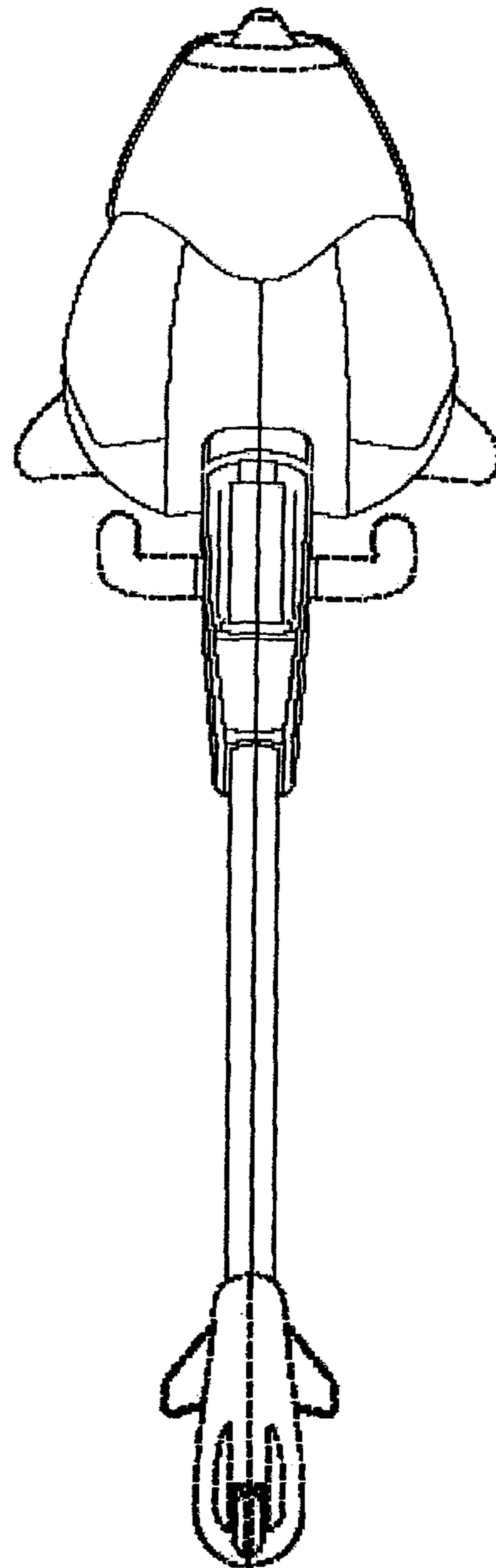


FIGURE 5



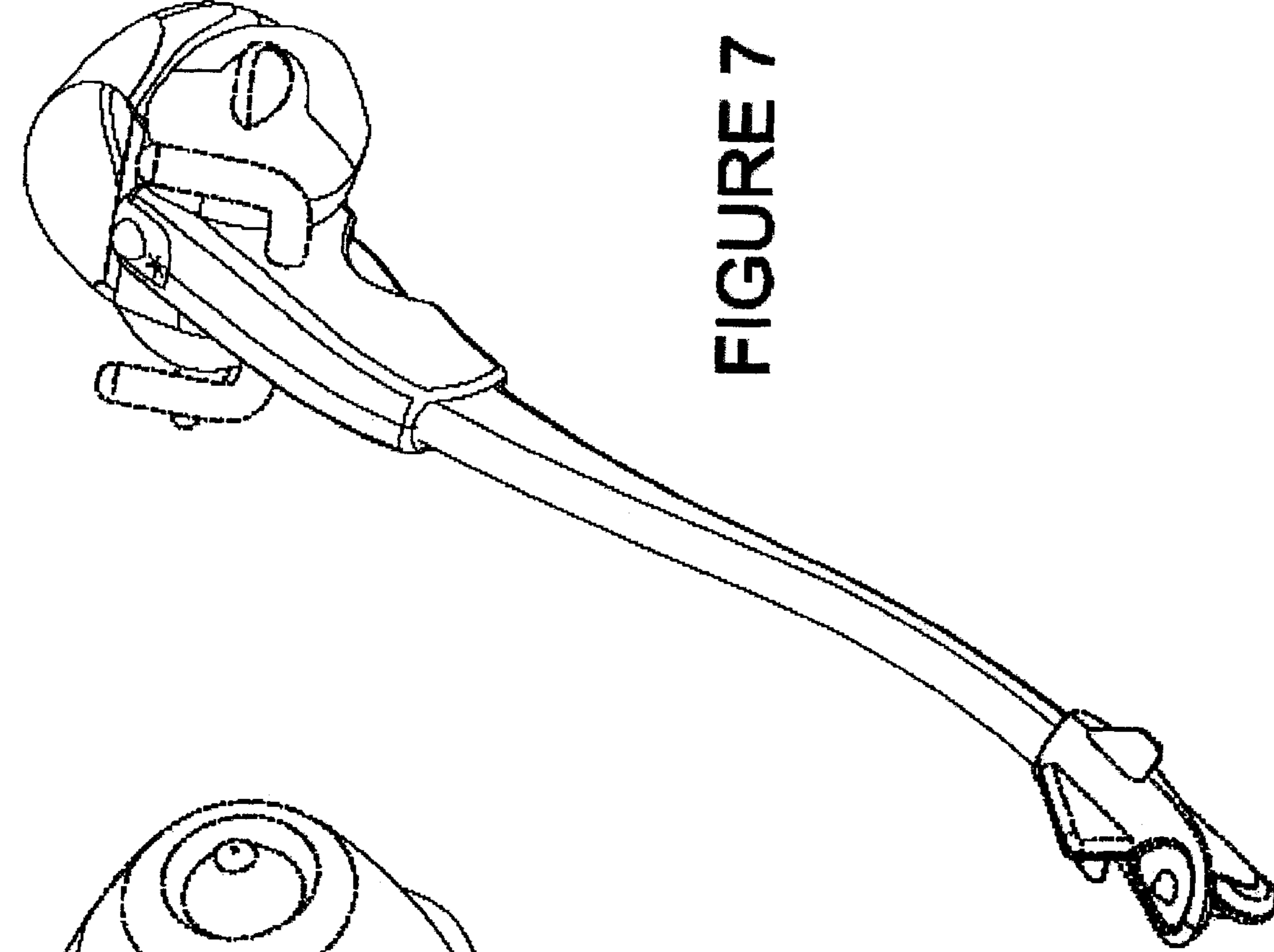


FIGURE 7

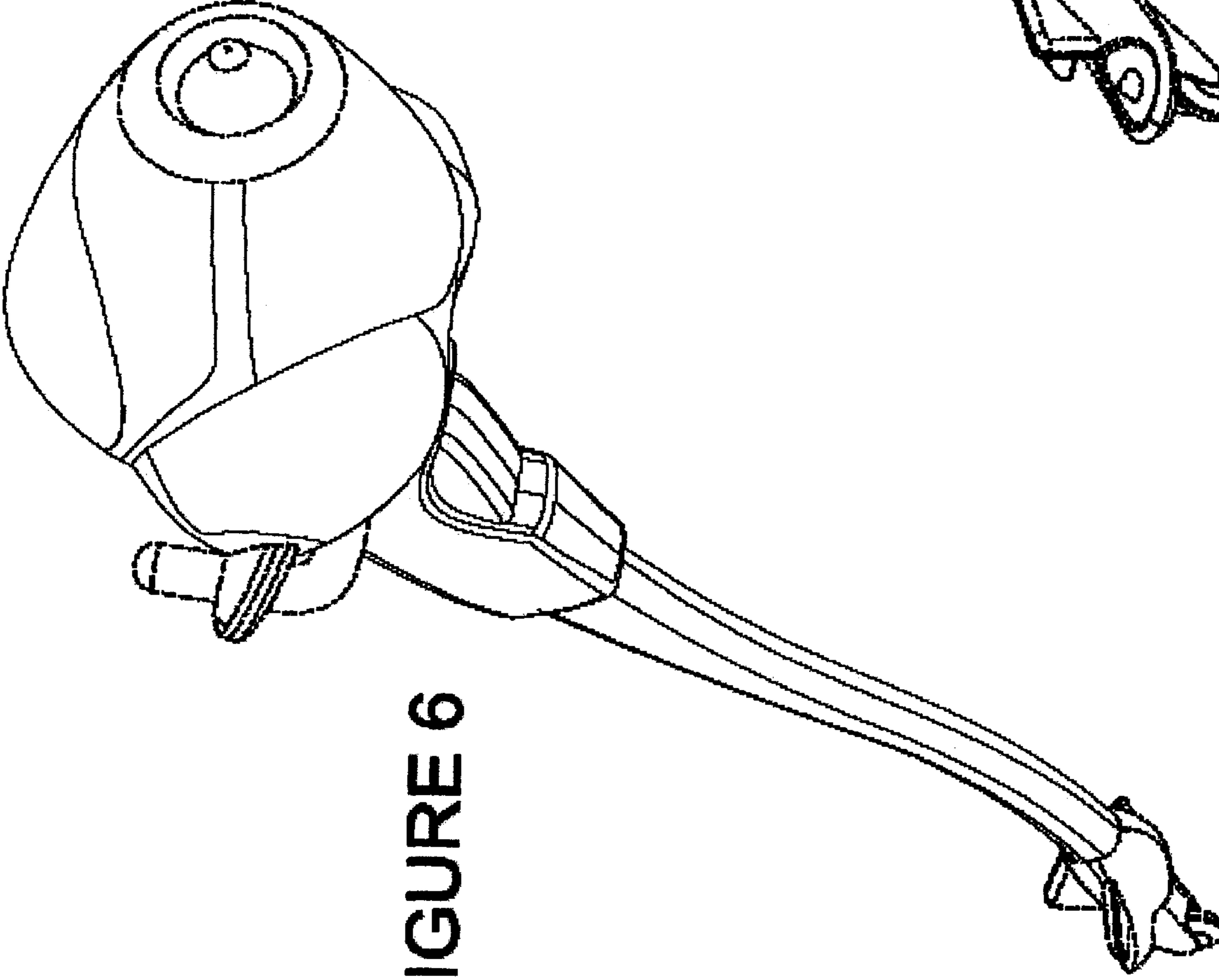


FIGURE 6

FIGURE 8

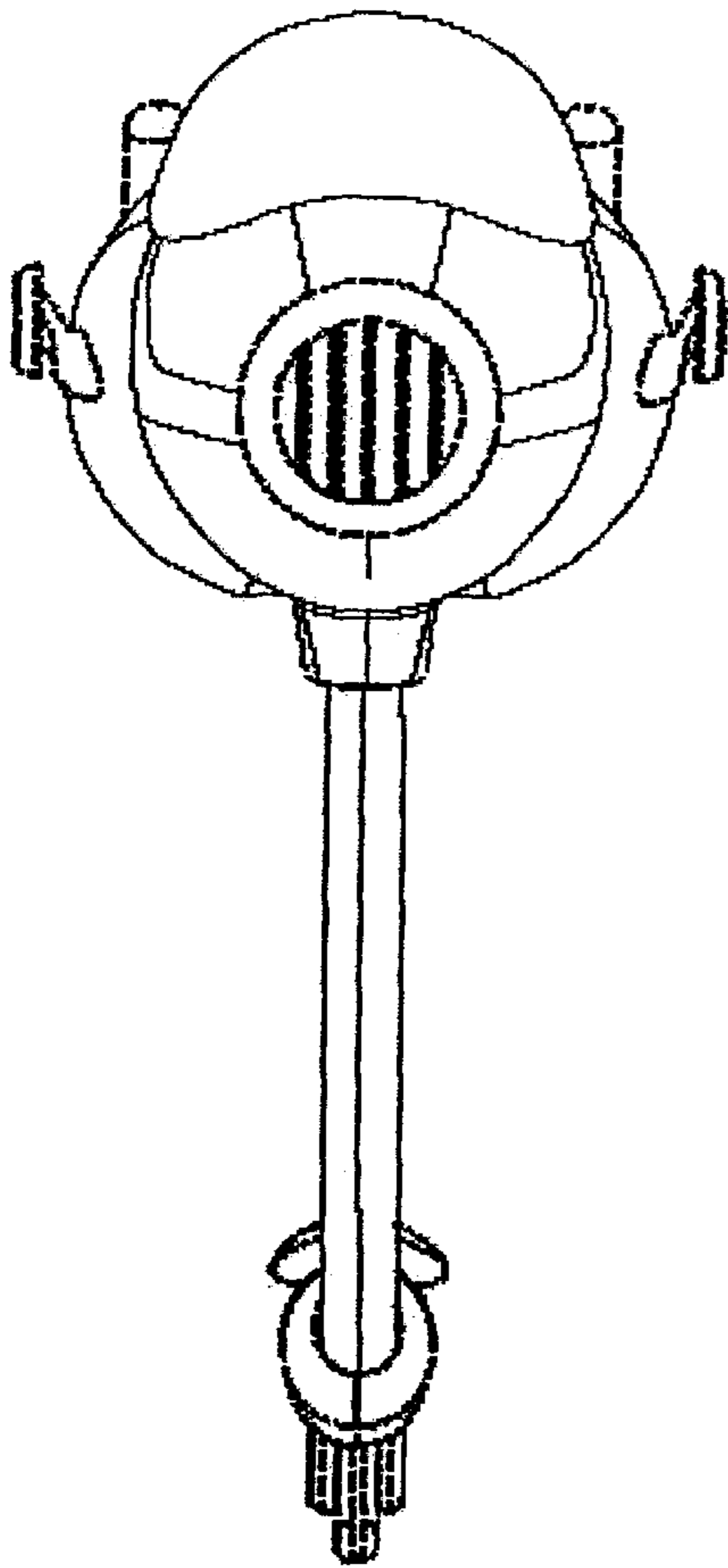
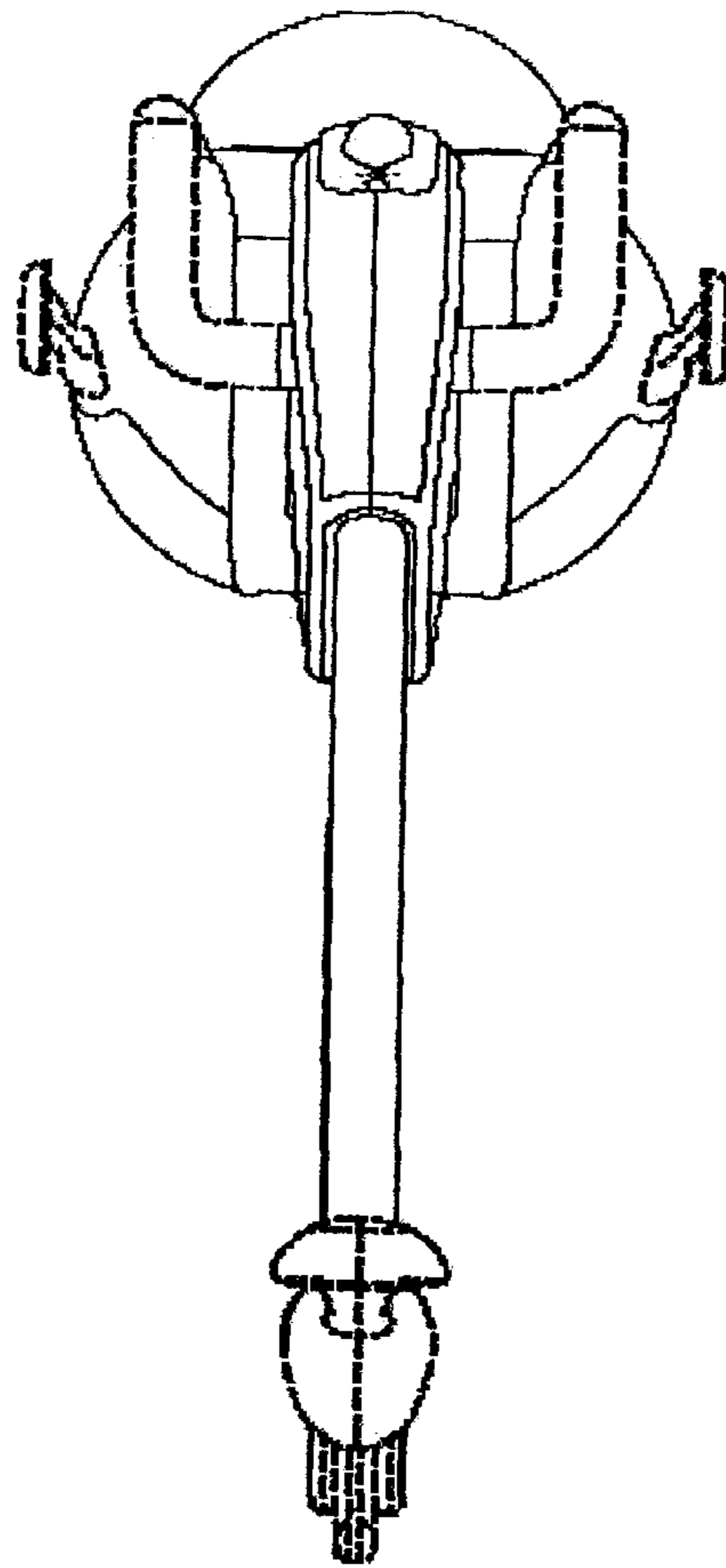


FIGURE 9



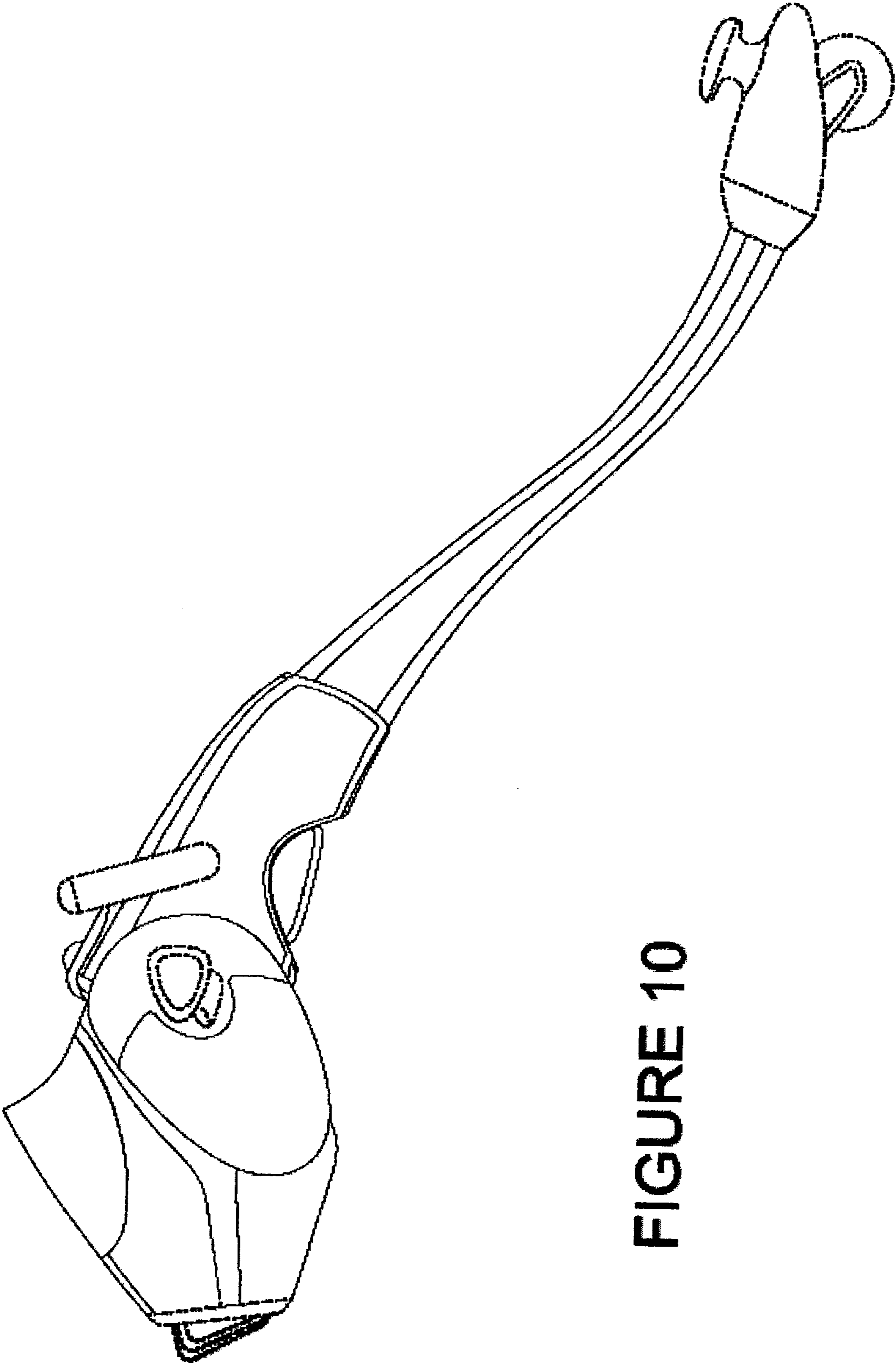


FIGURE 10

FIGURE 11

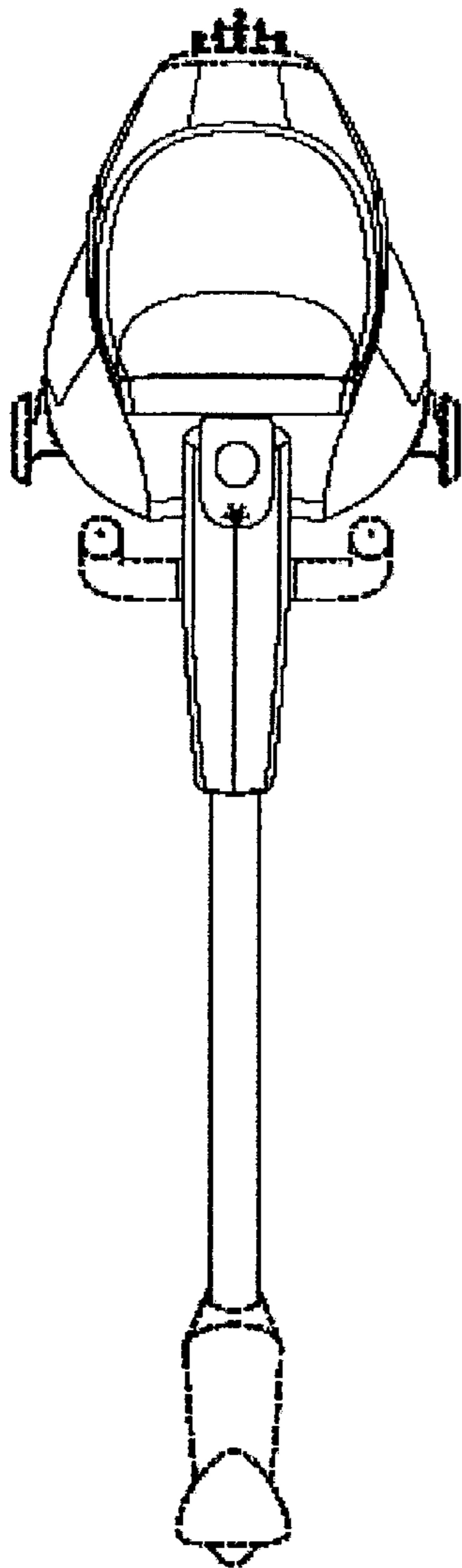
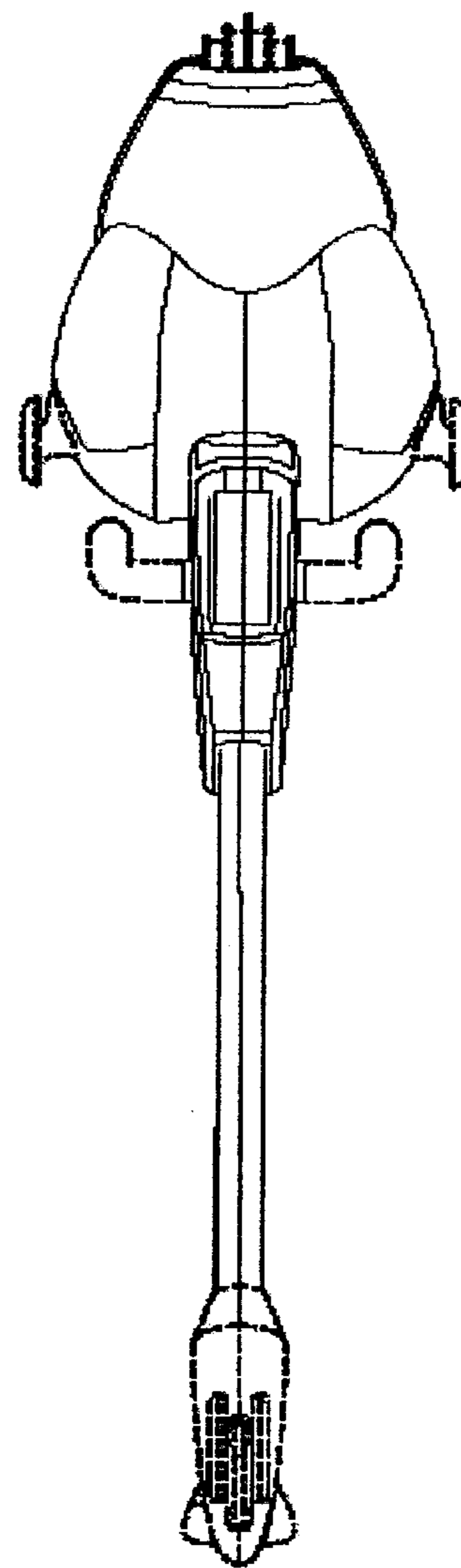


FIGURE 12



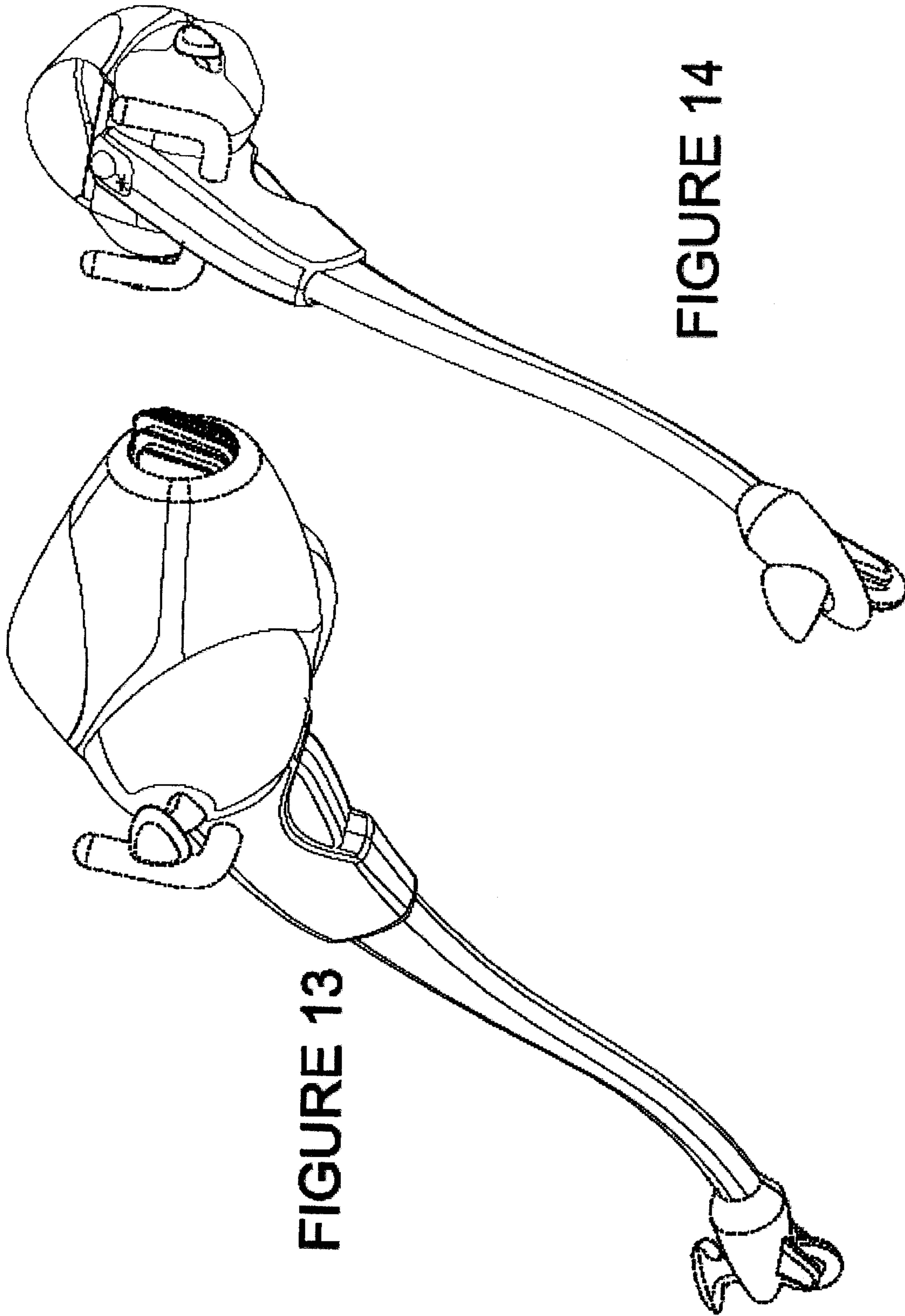


FIGURE 13

FIGURE 14

FIGURE 15

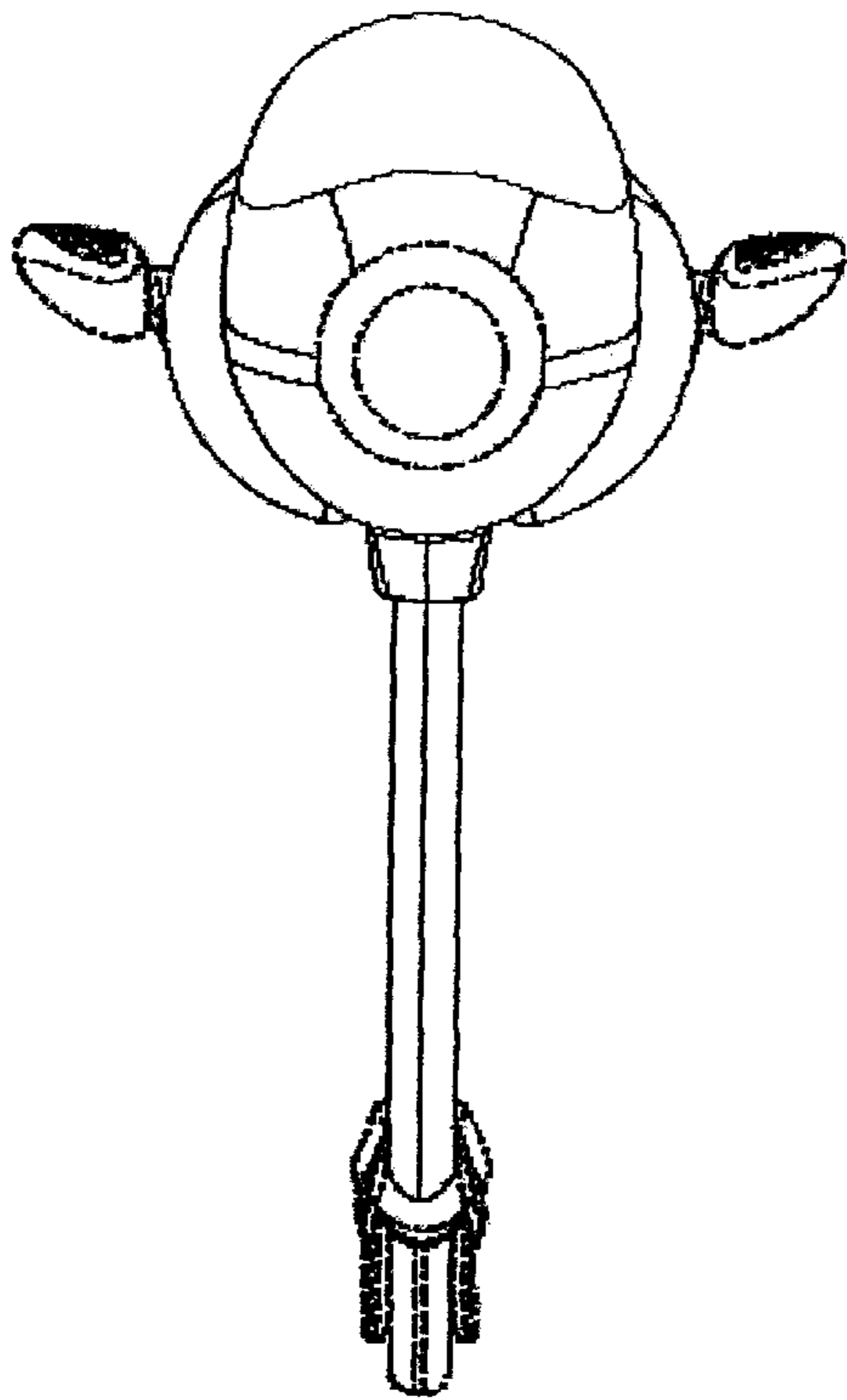
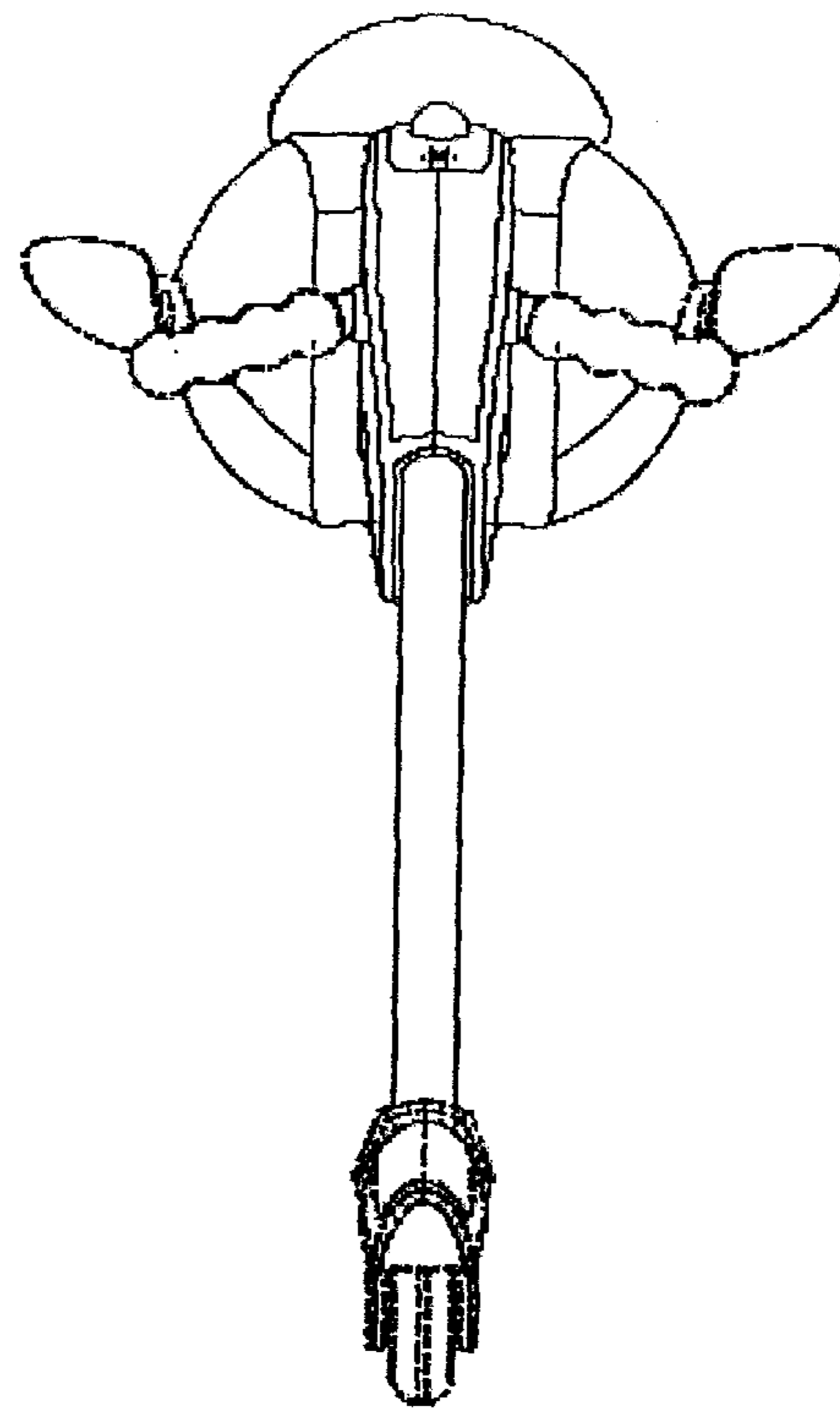


FIGURE 16



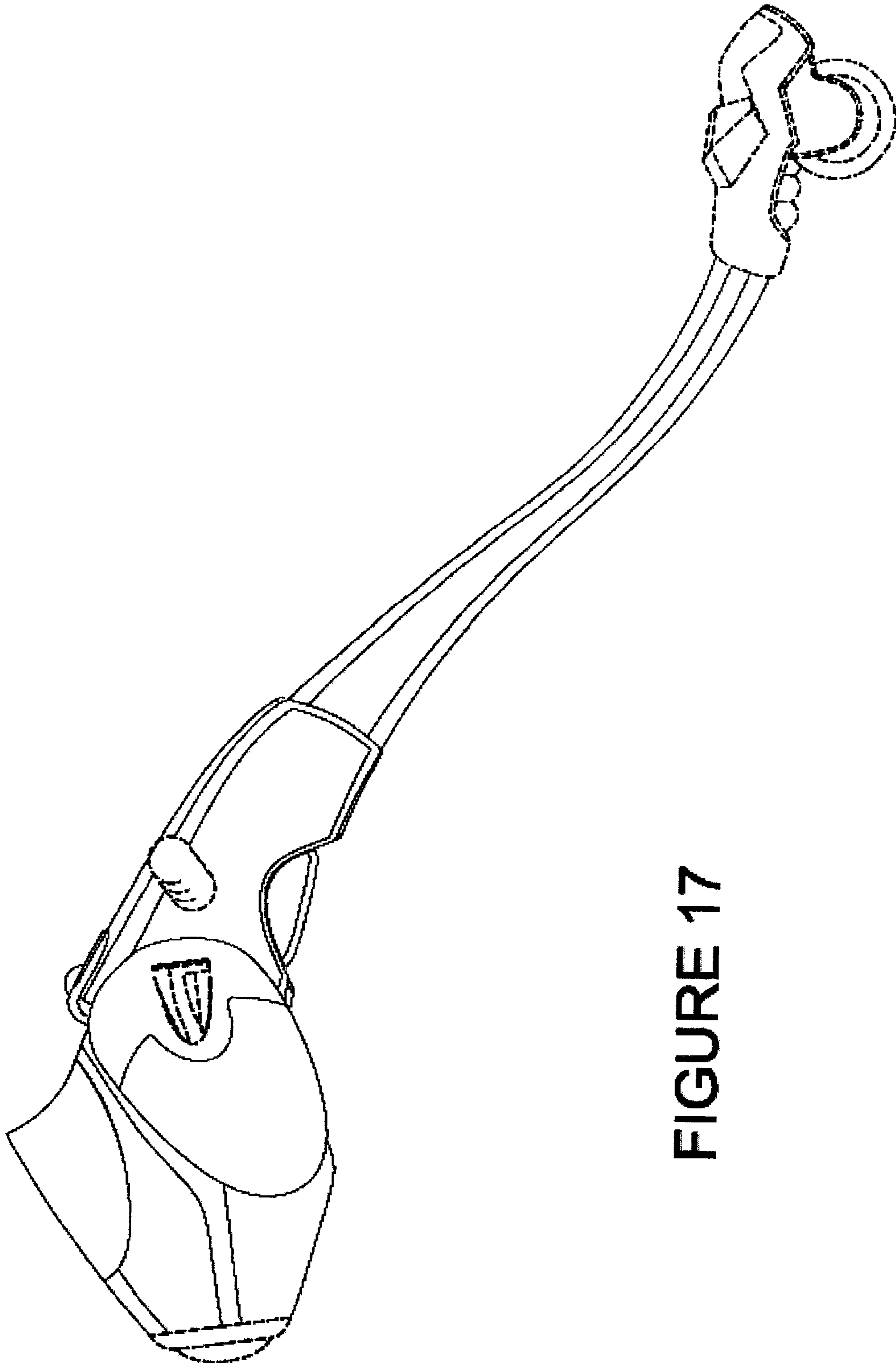


FIGURE 17

FIGURE 18

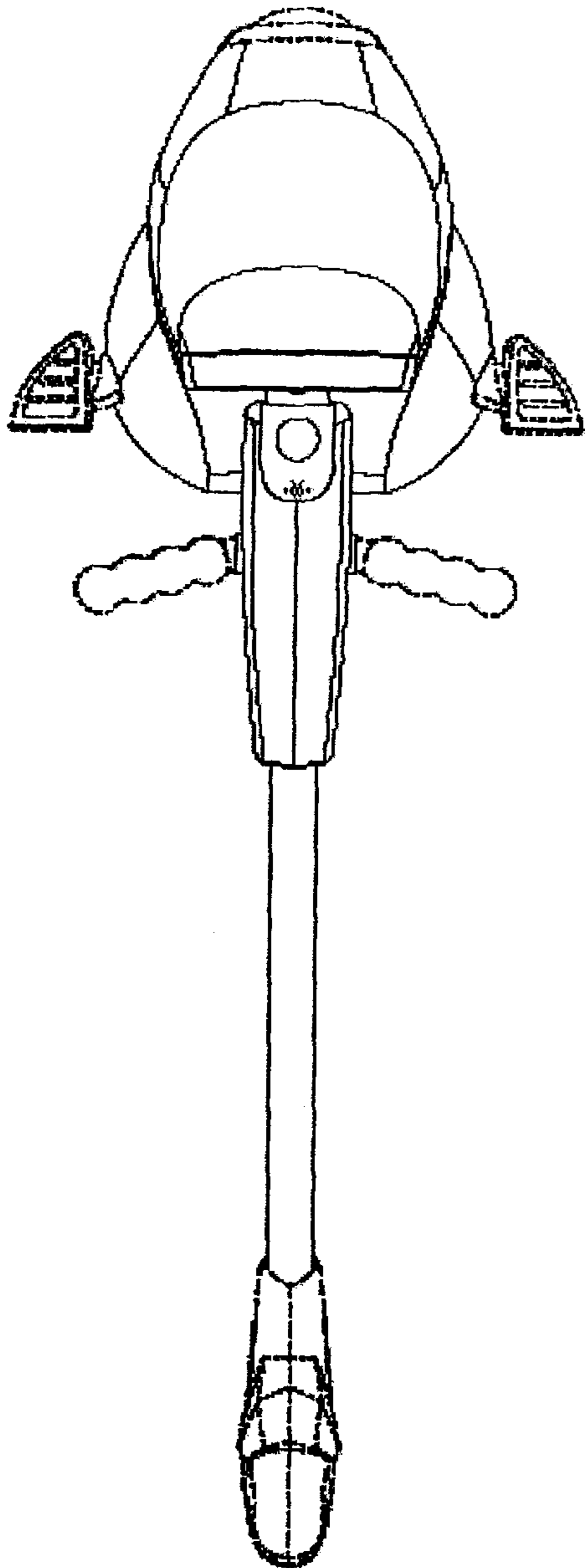
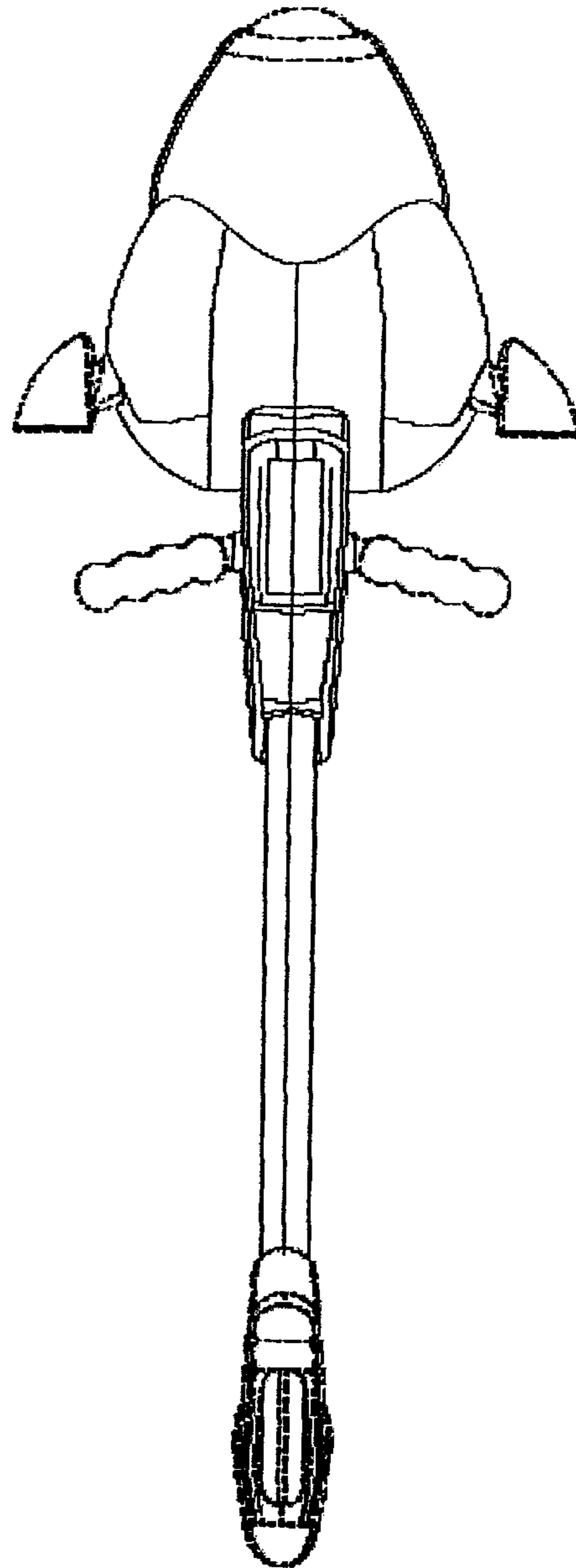


FIGURE 19



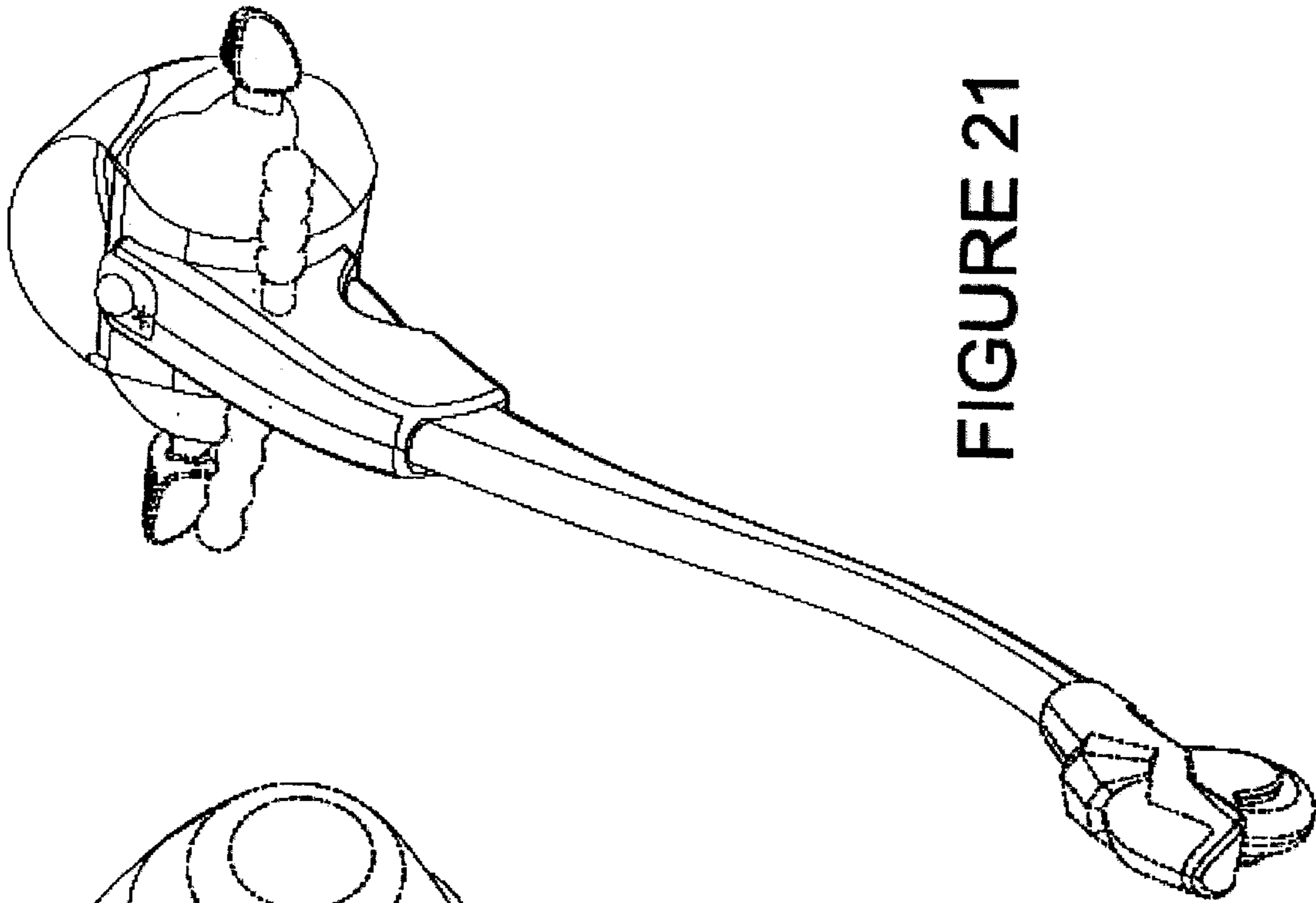


FIGURE 21

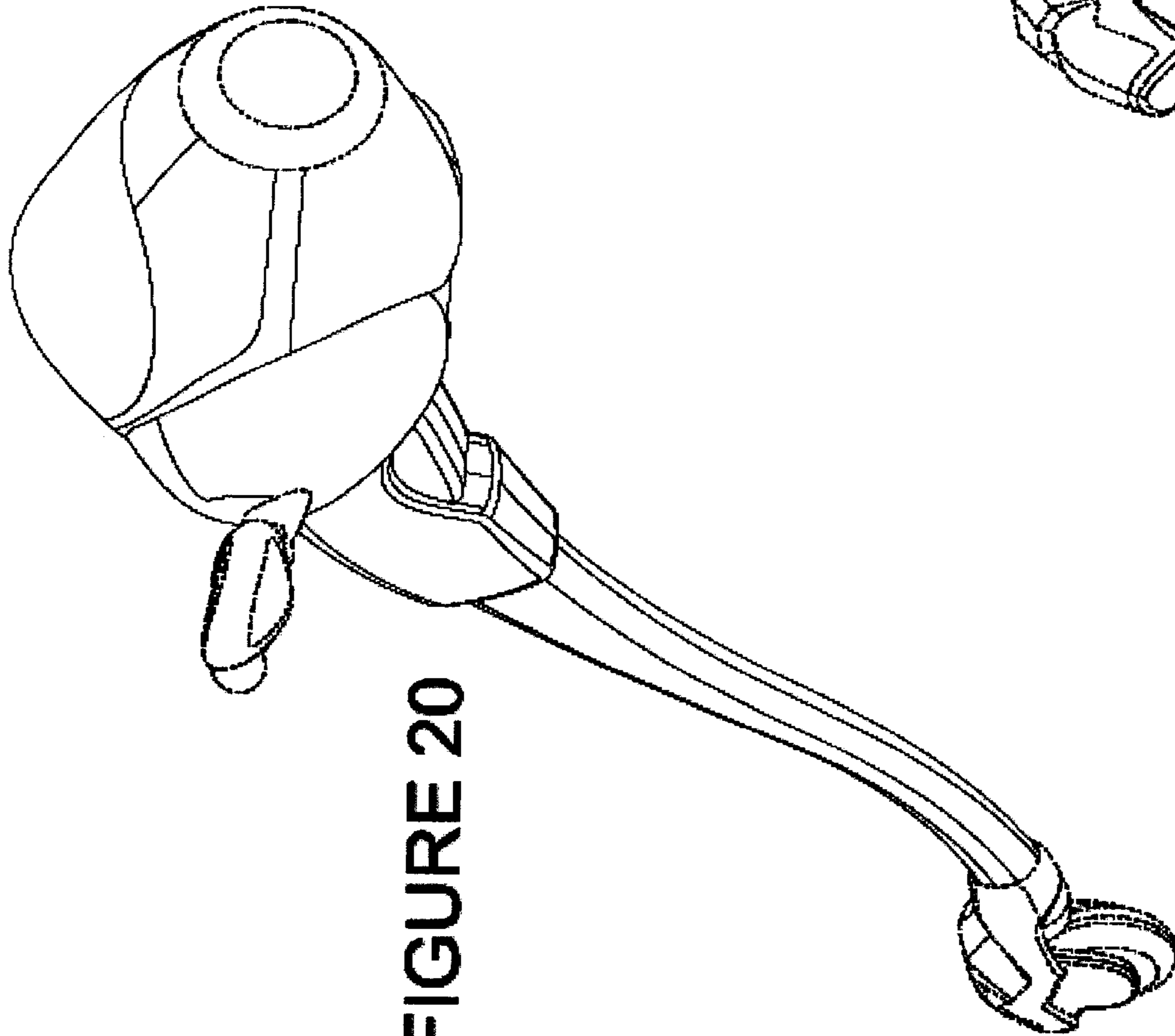


FIGURE 20

FIGURE 22

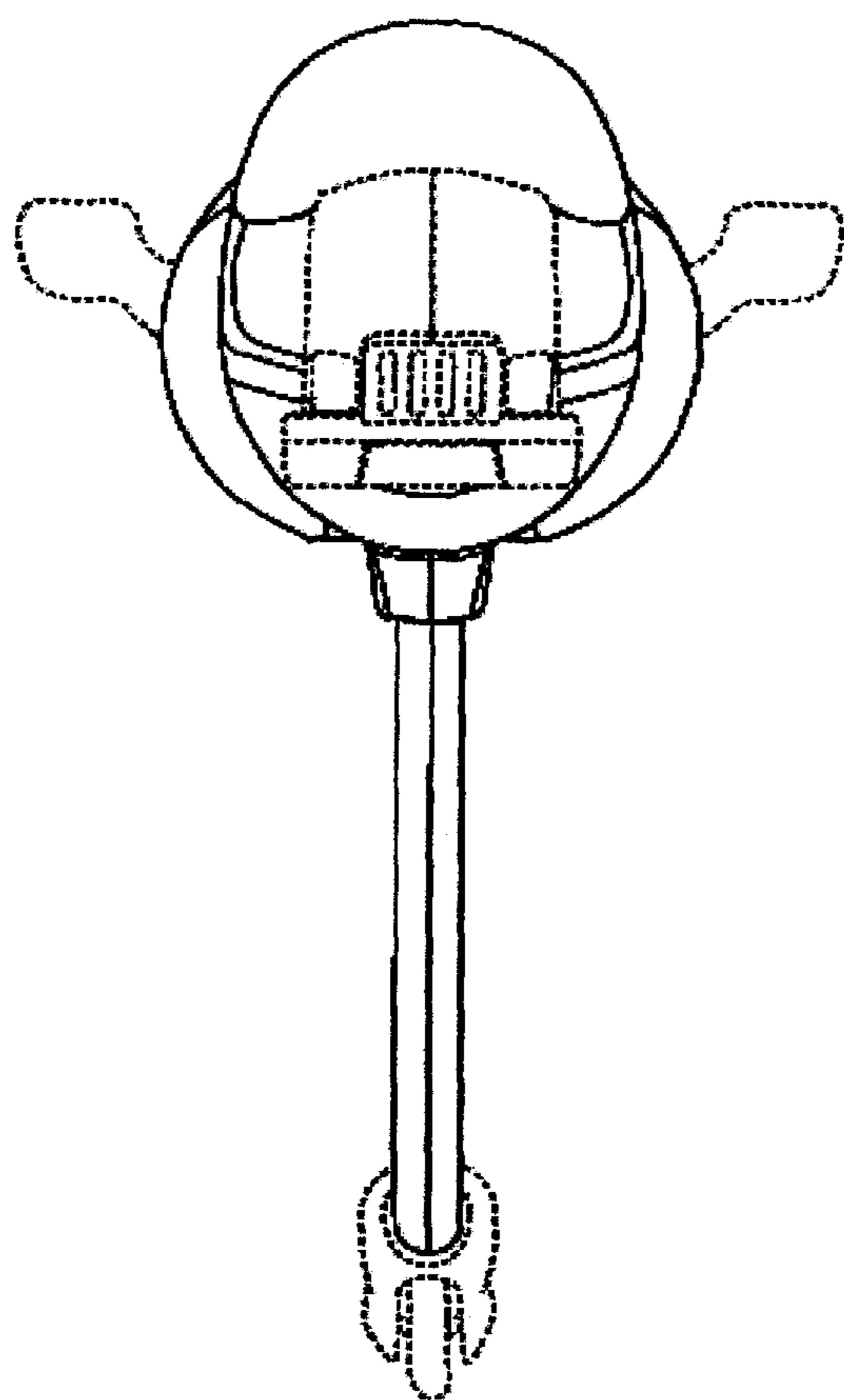
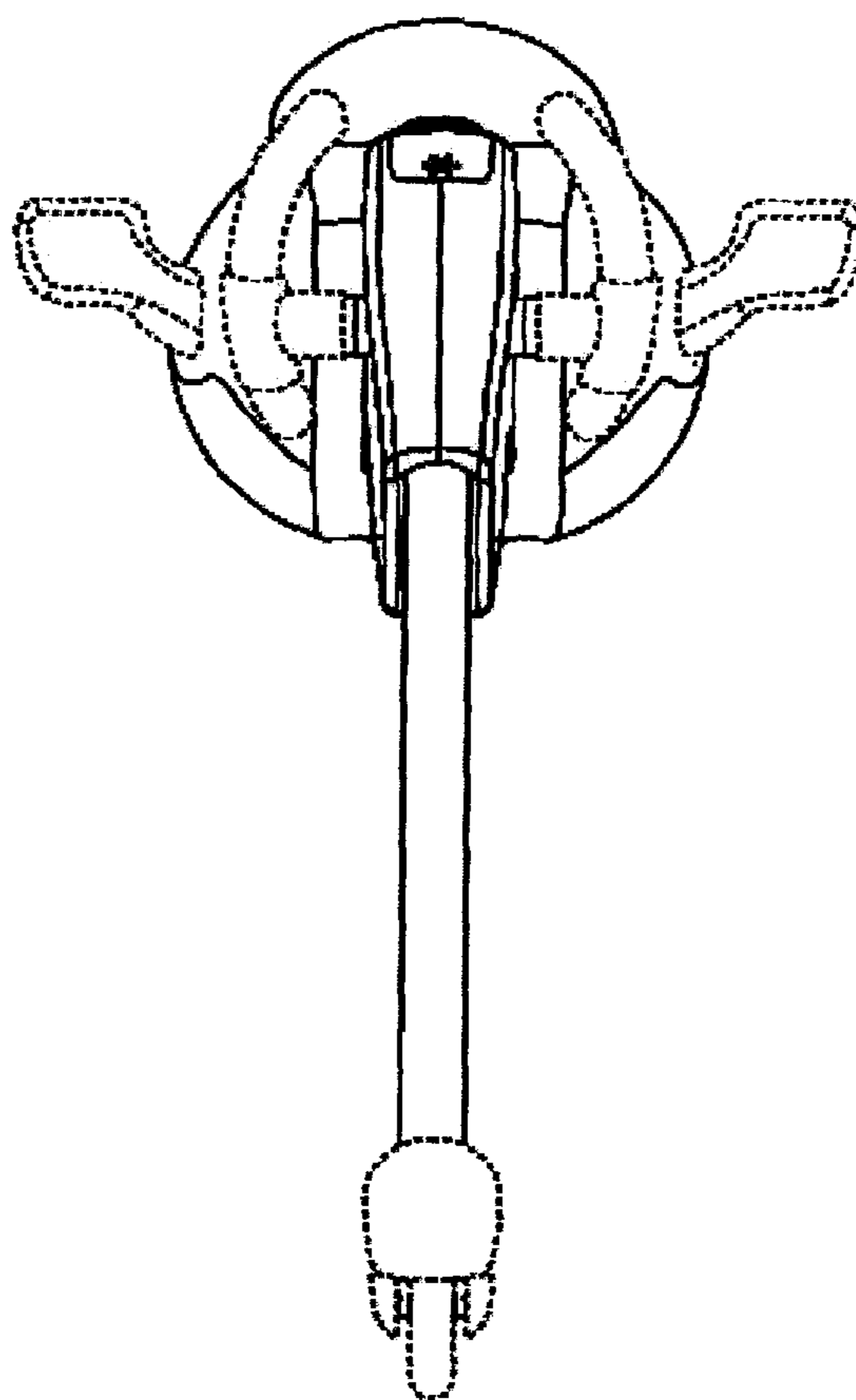


FIGURE 23



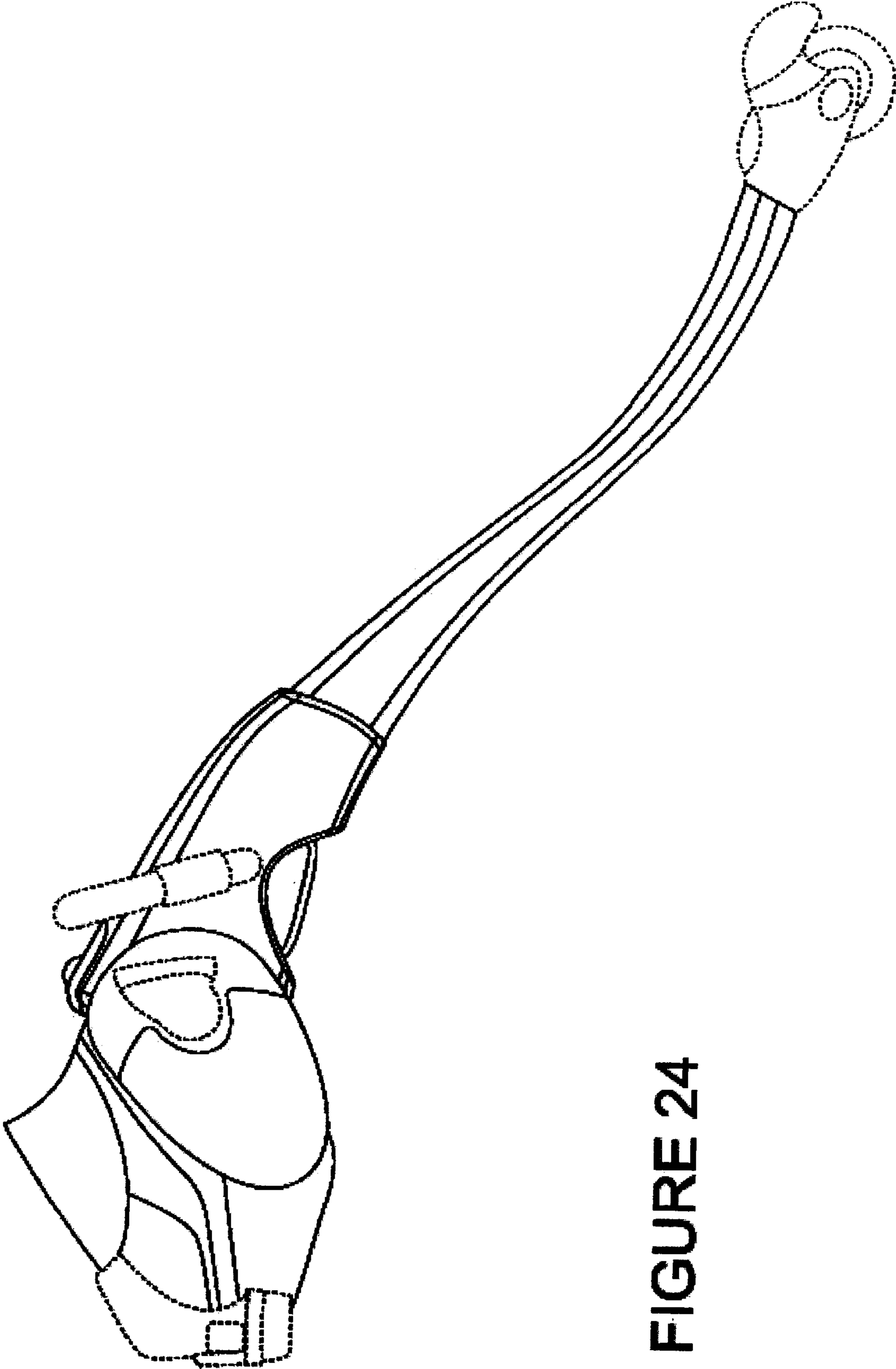


FIGURE 24

FIGURE 25

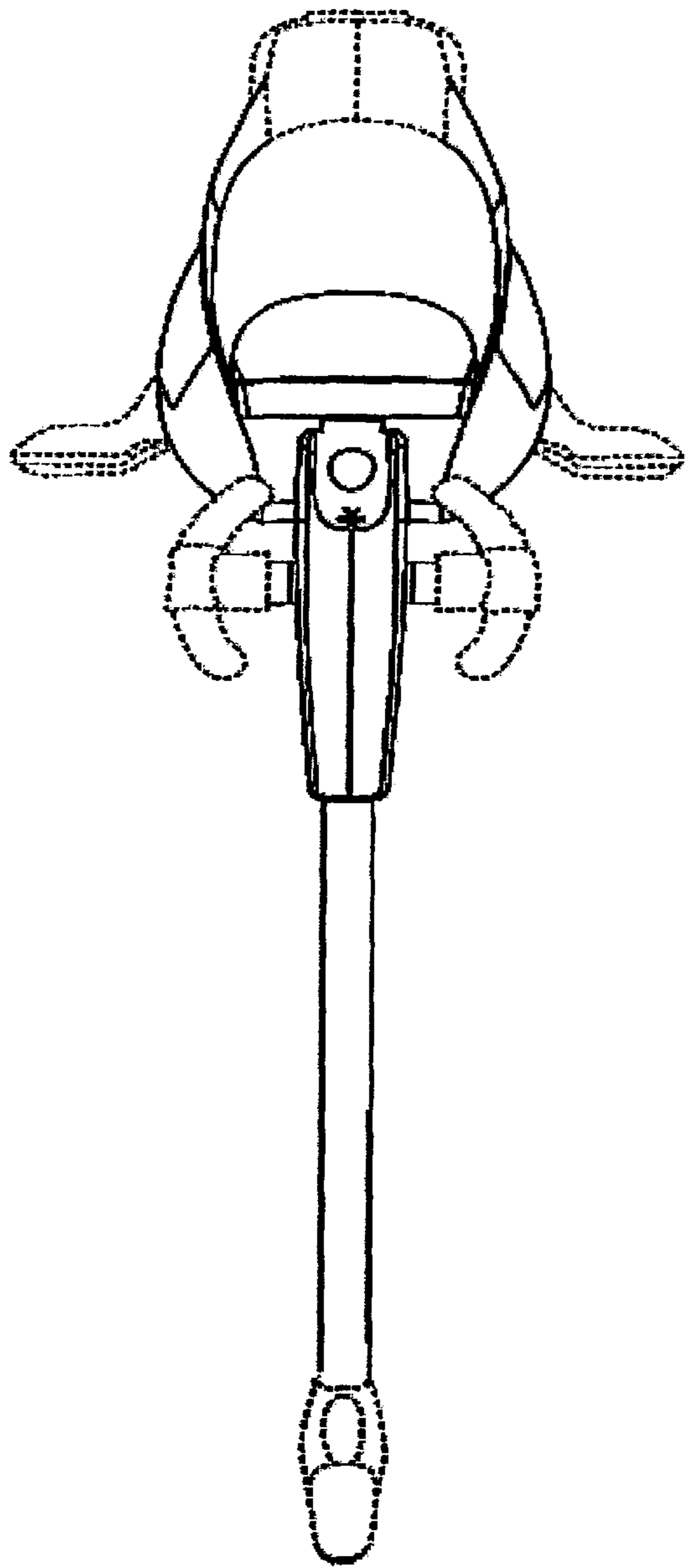
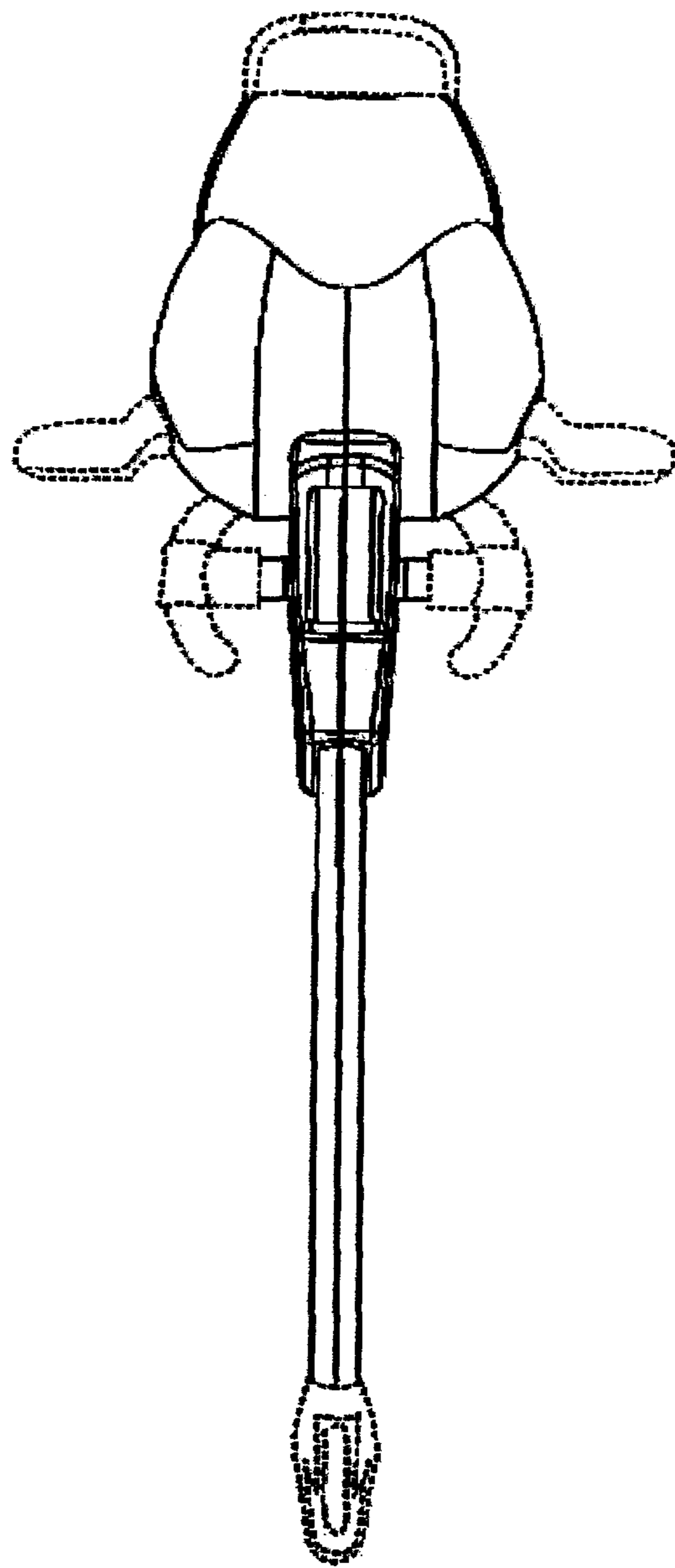


FIGURE 26



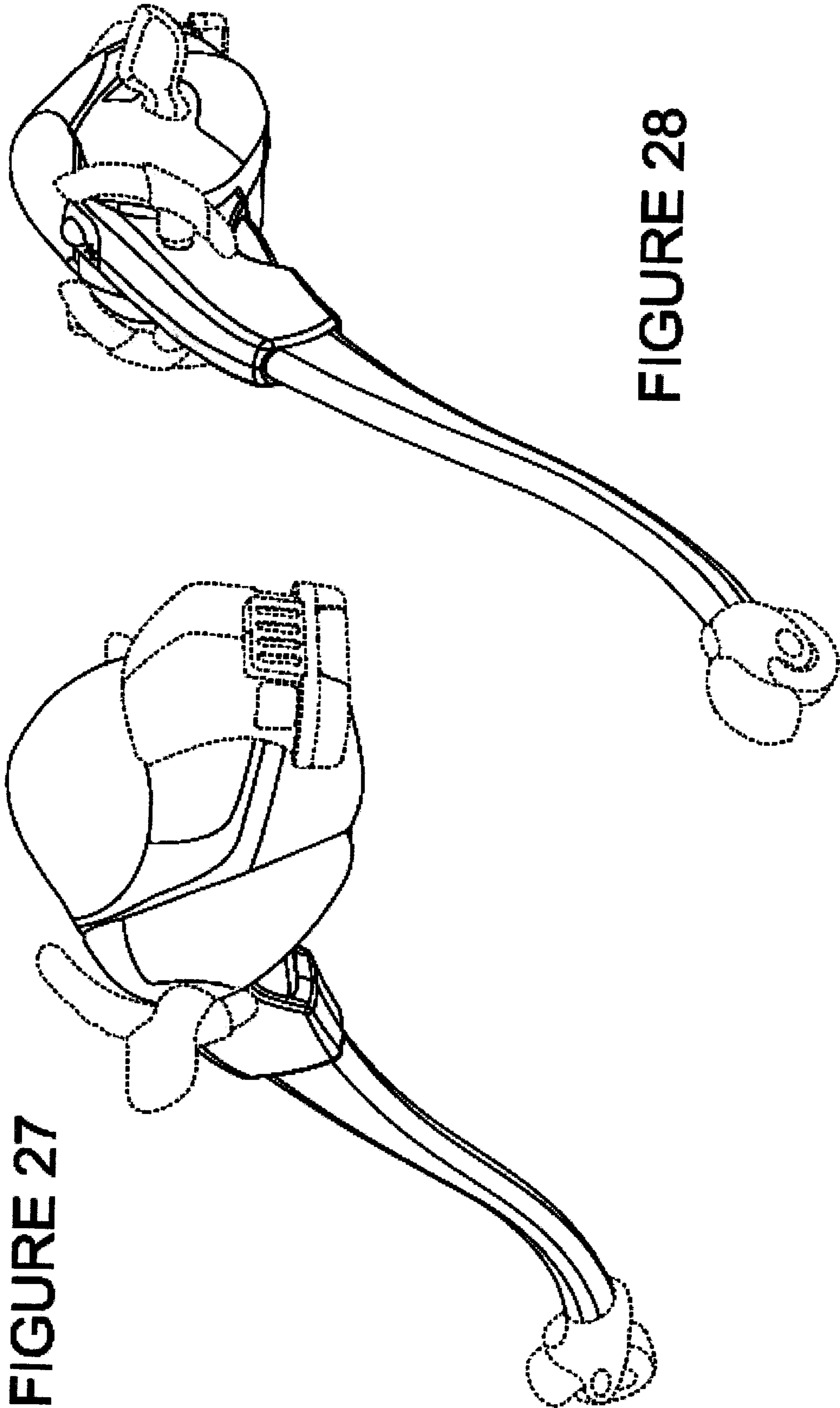


FIGURE 27

FIGURE 28

FIGURE 29

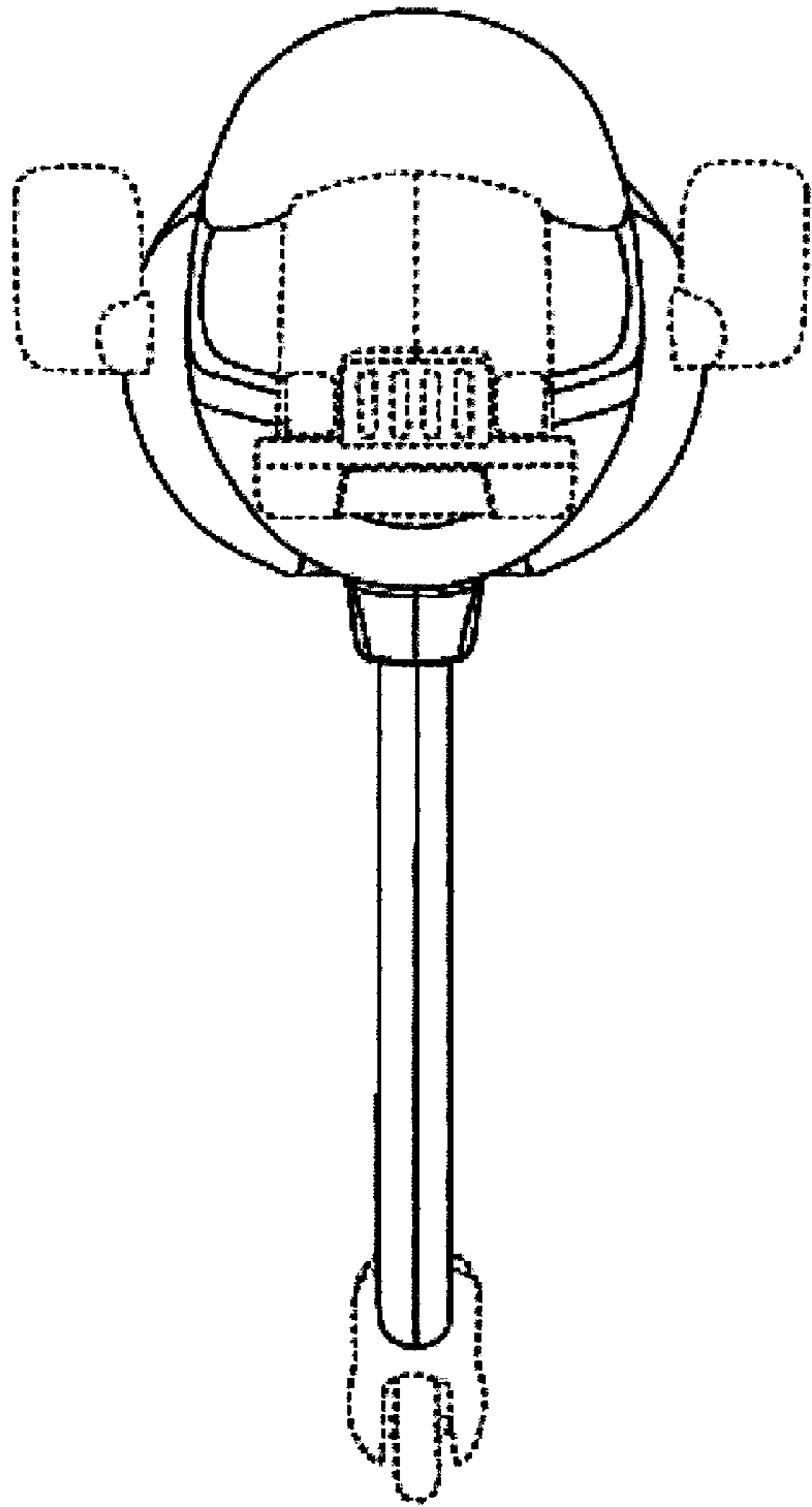
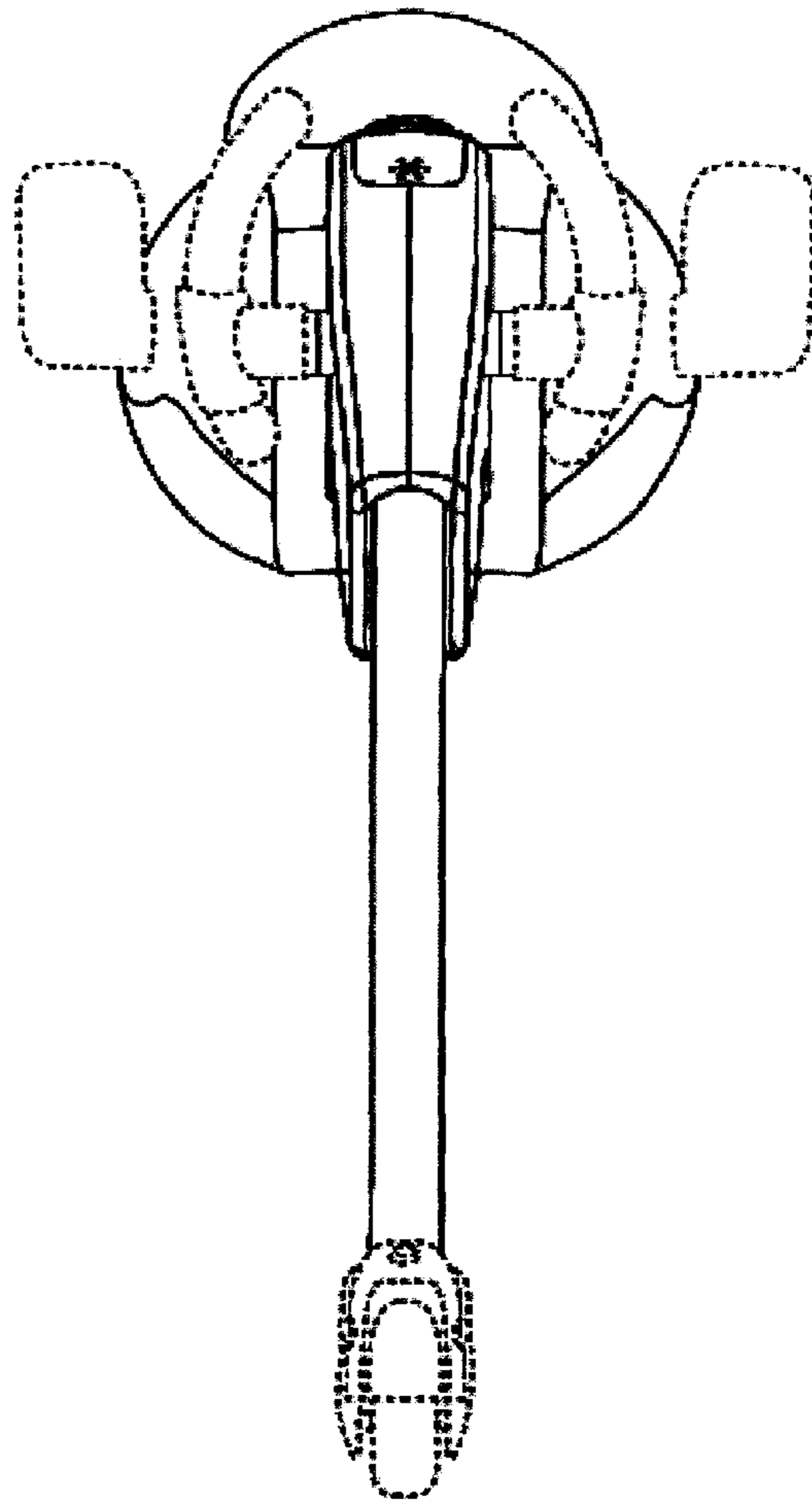


FIGURE 30



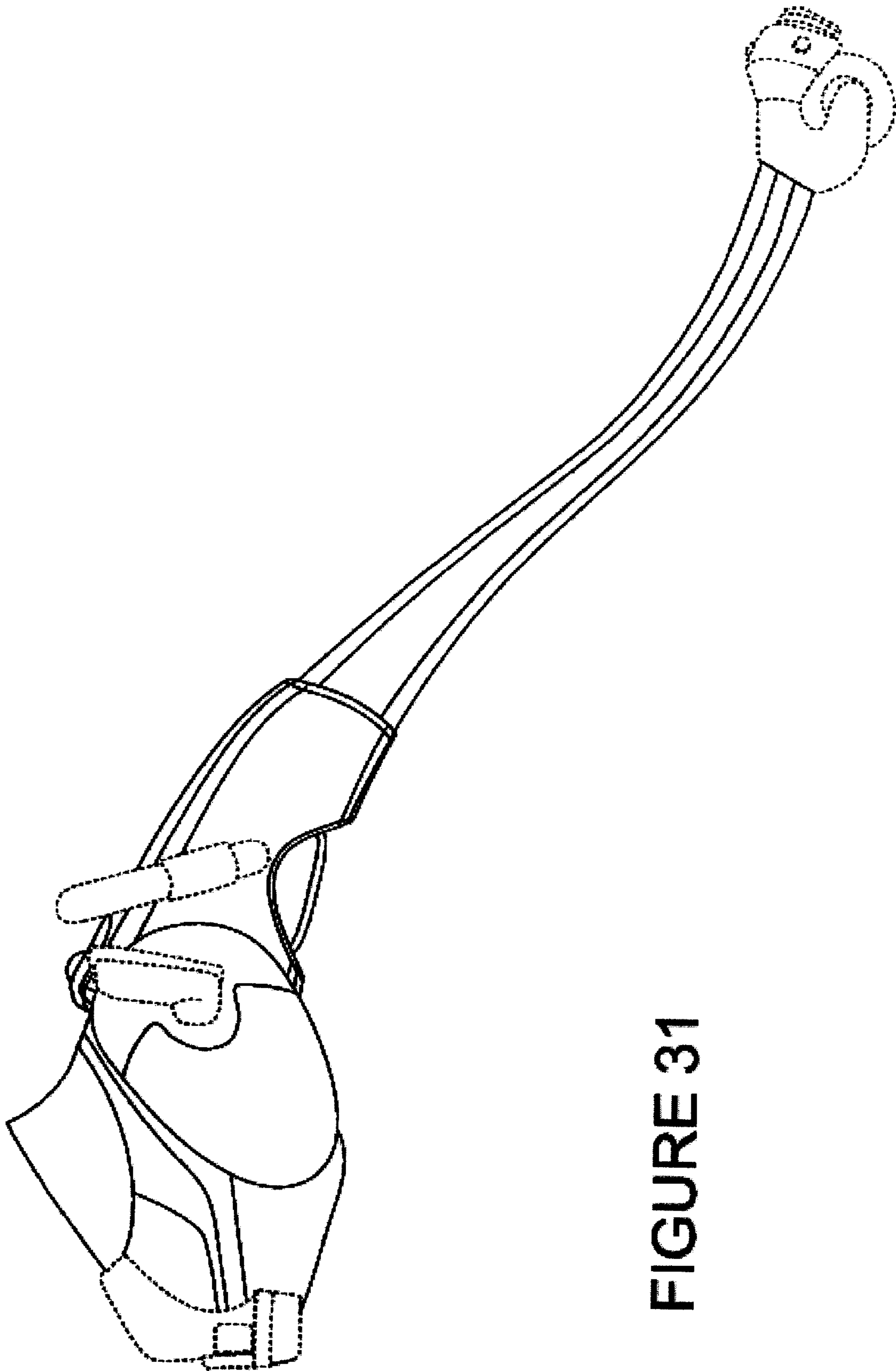


FIGURE 31

FIGURE 32

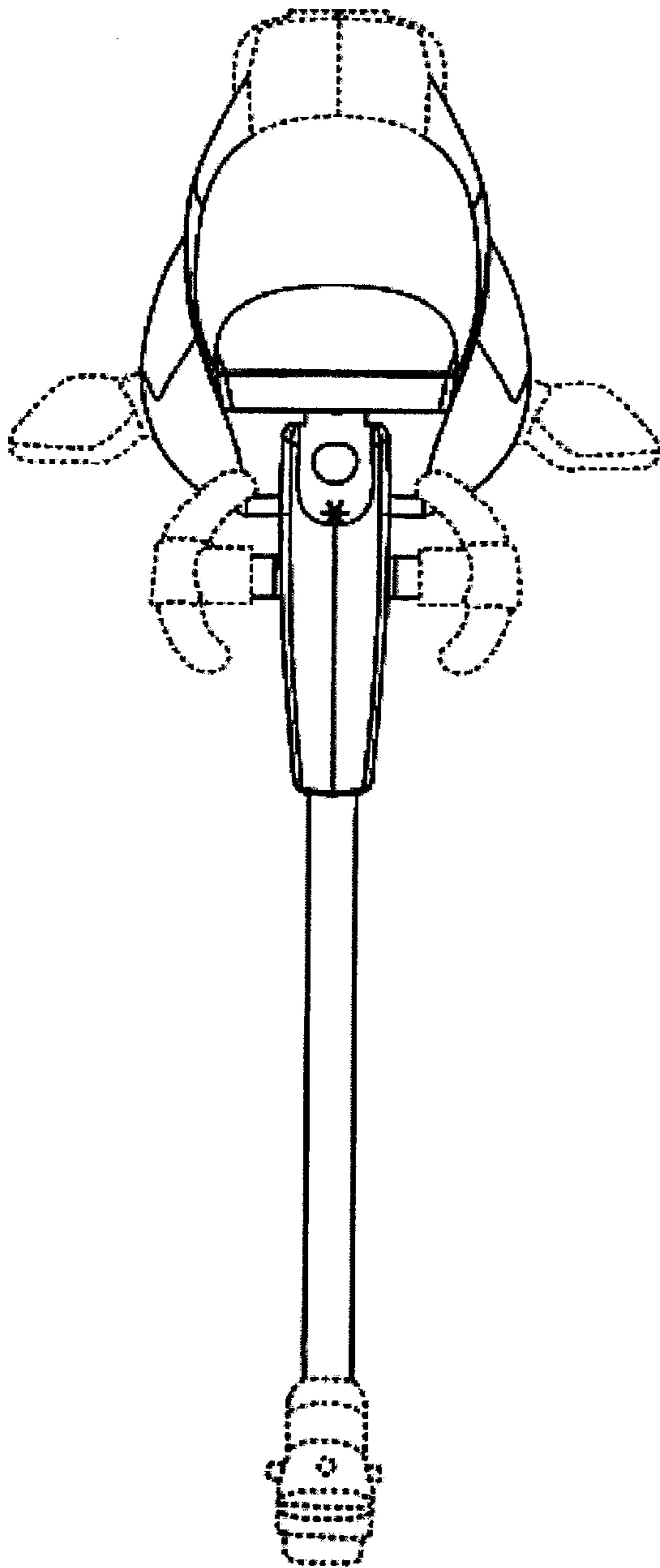
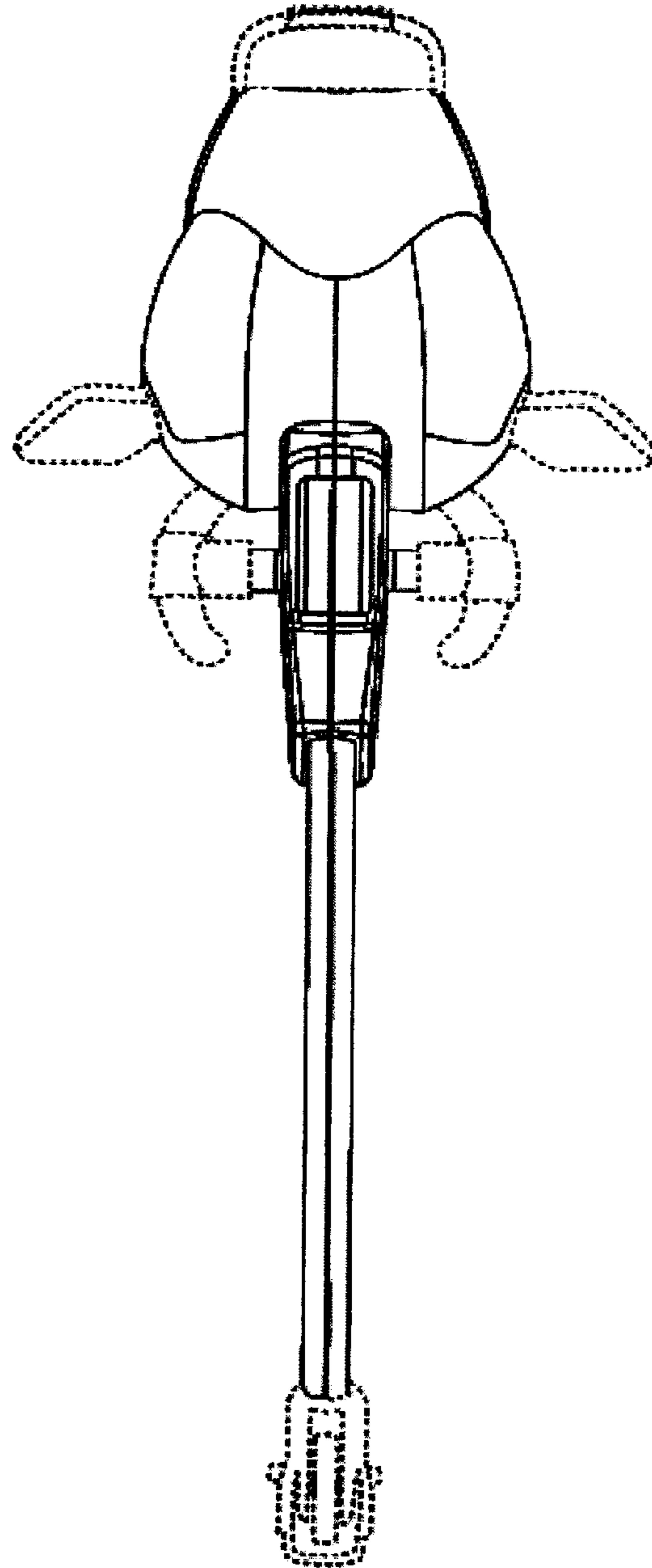


FIGURE 33



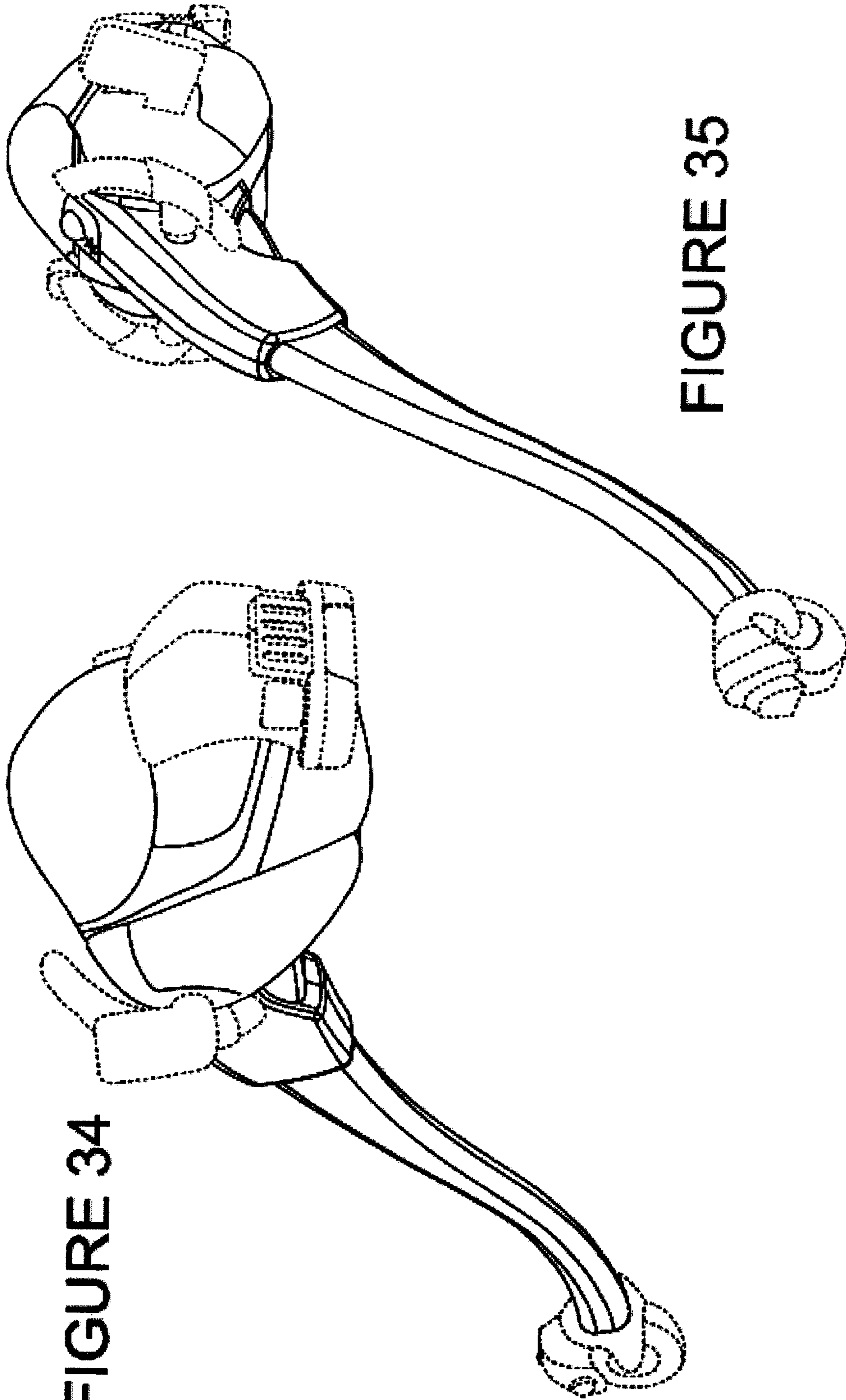


FIGURE 34

FIGURE 35

FIGURE 36

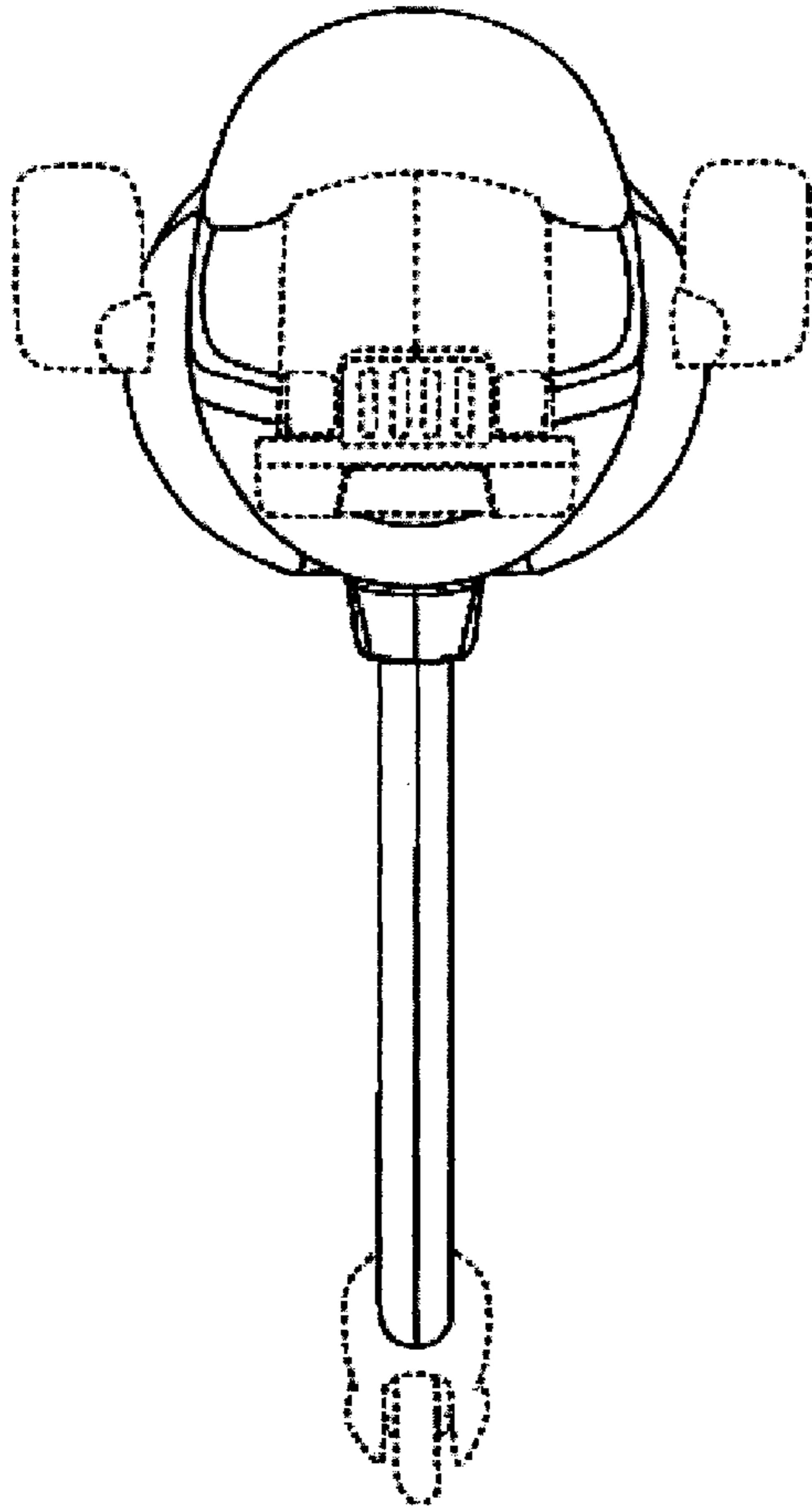
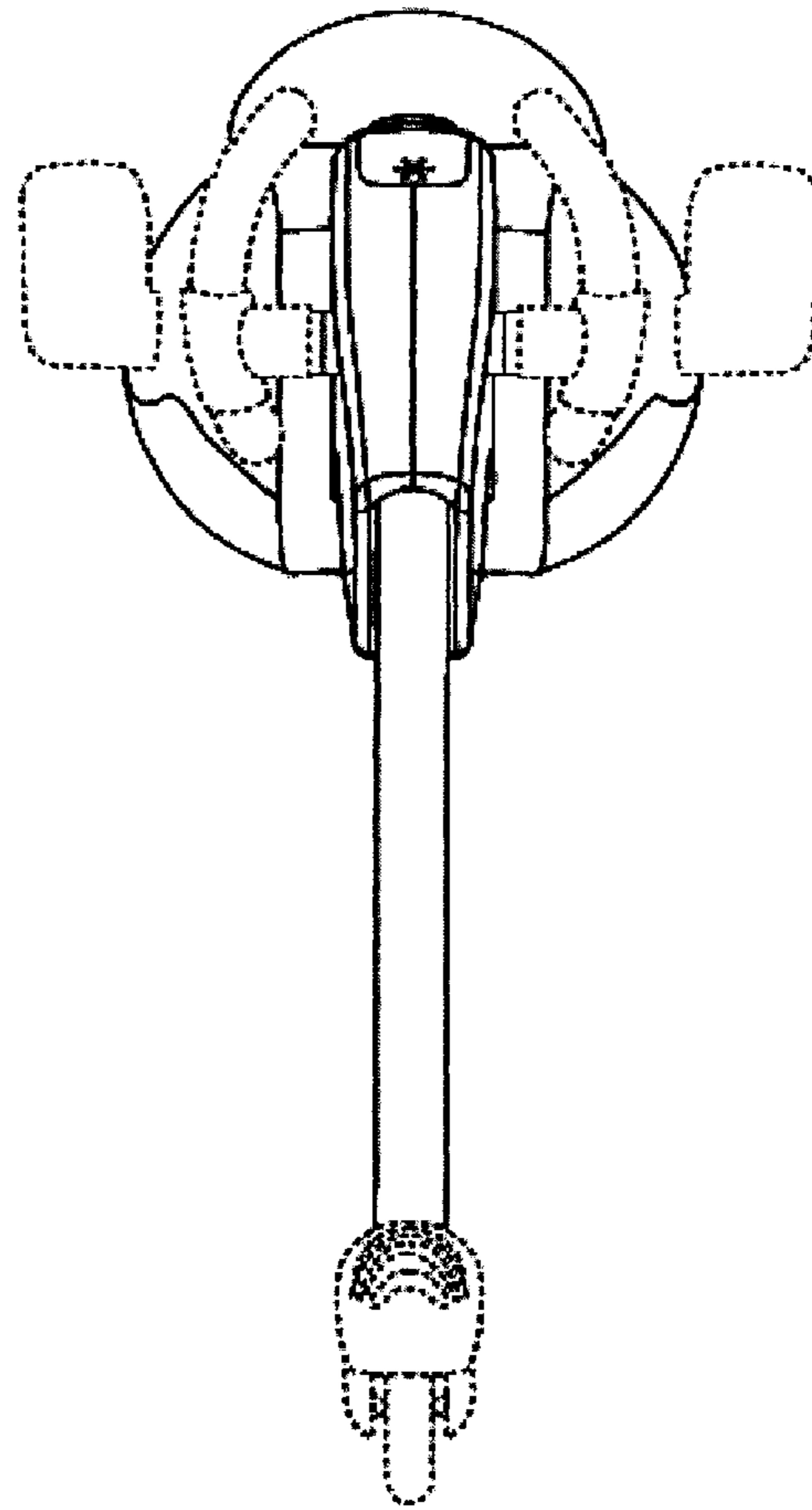


FIGURE 37



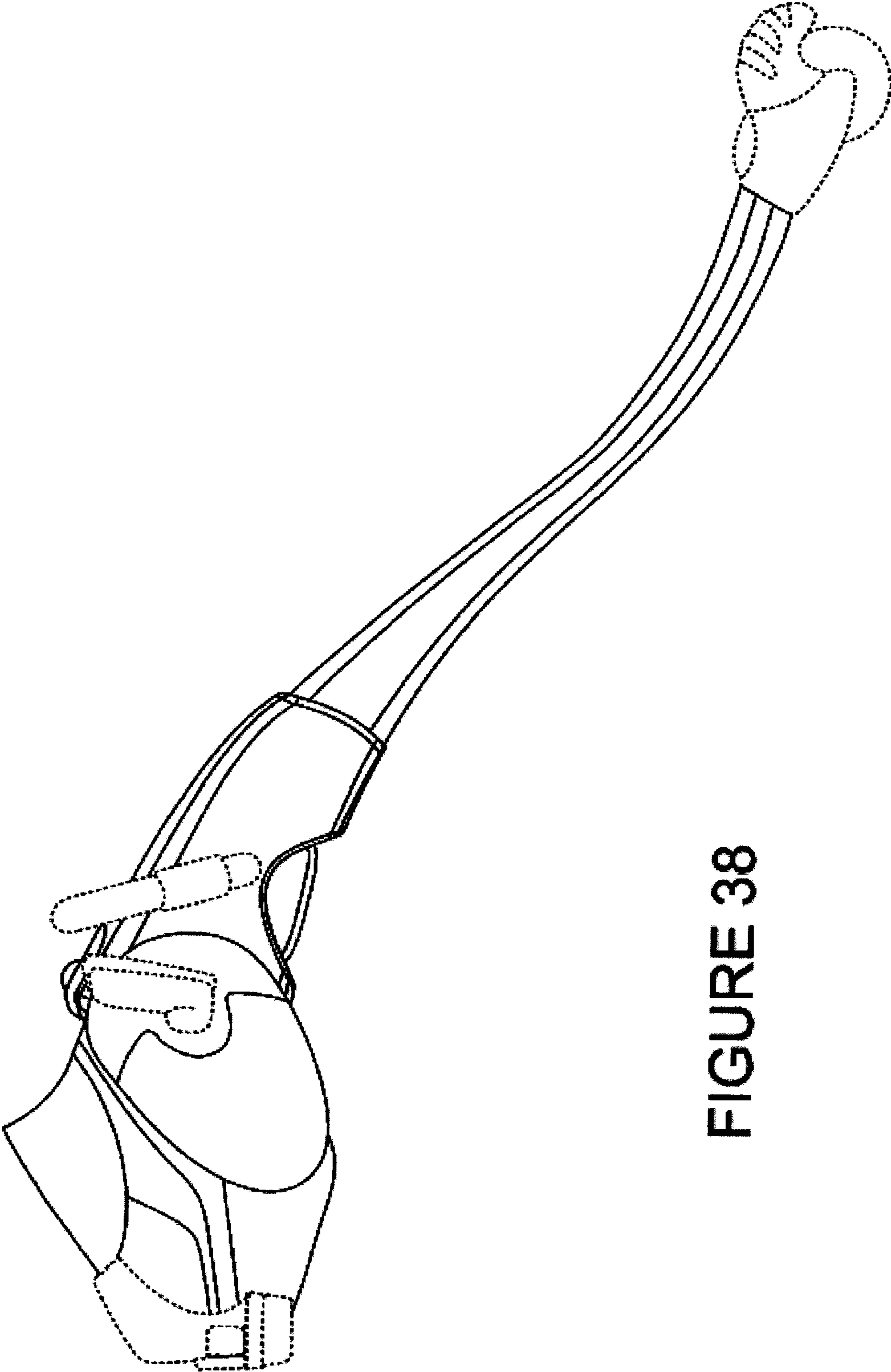


FIGURE 38

FIGURE 39

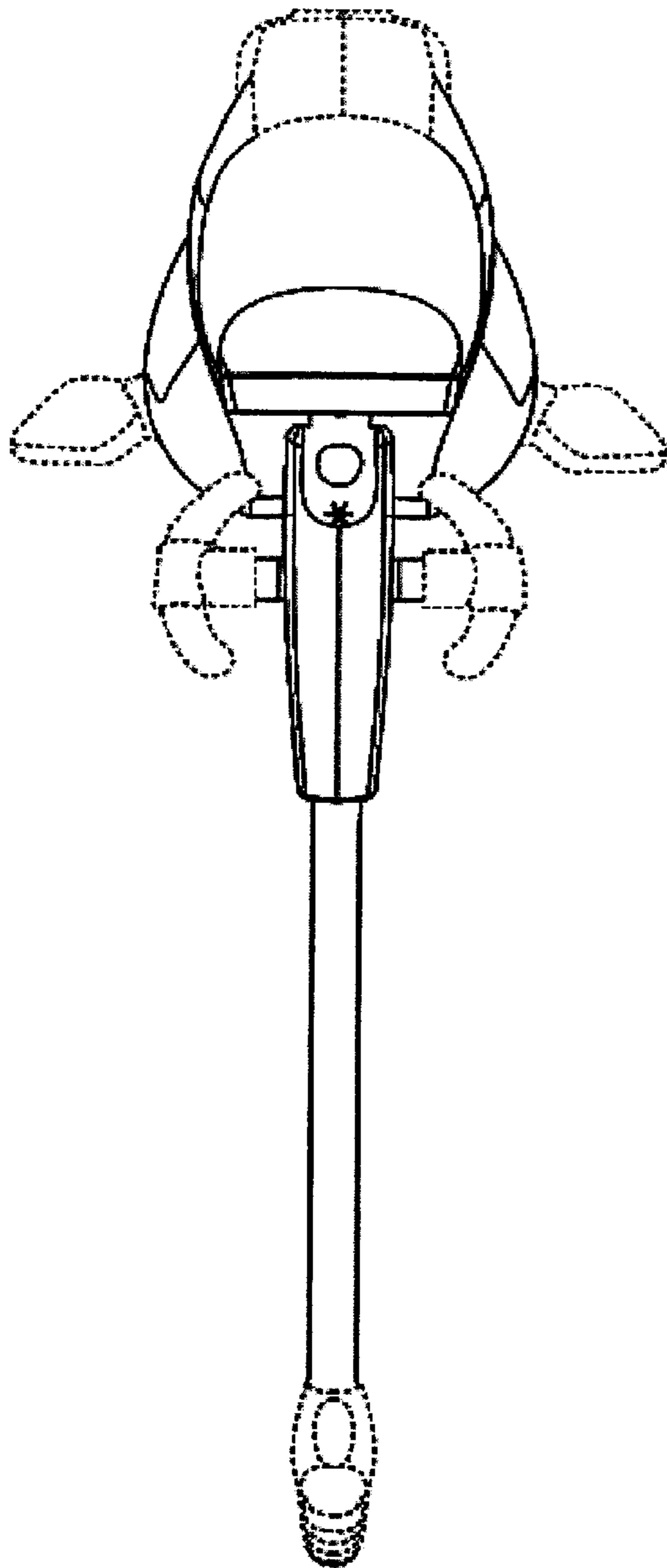
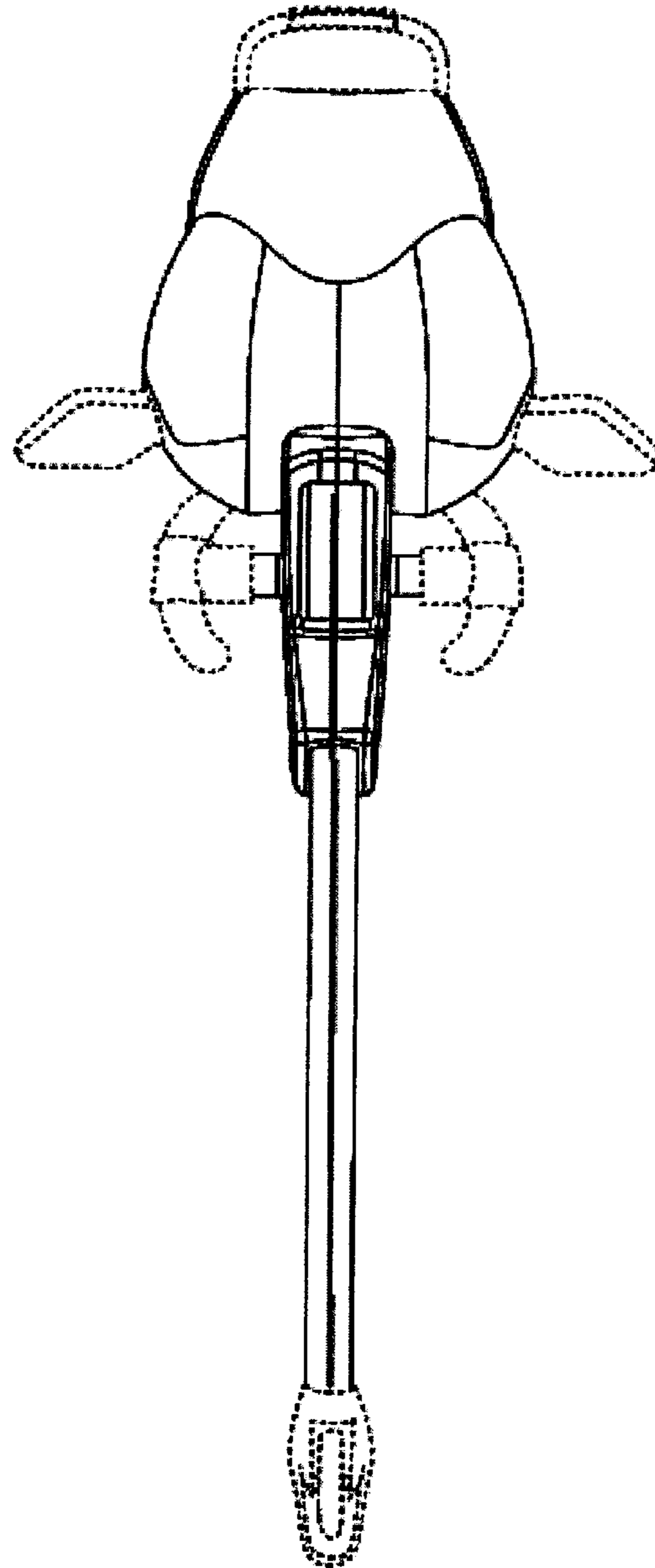


FIGURE 40



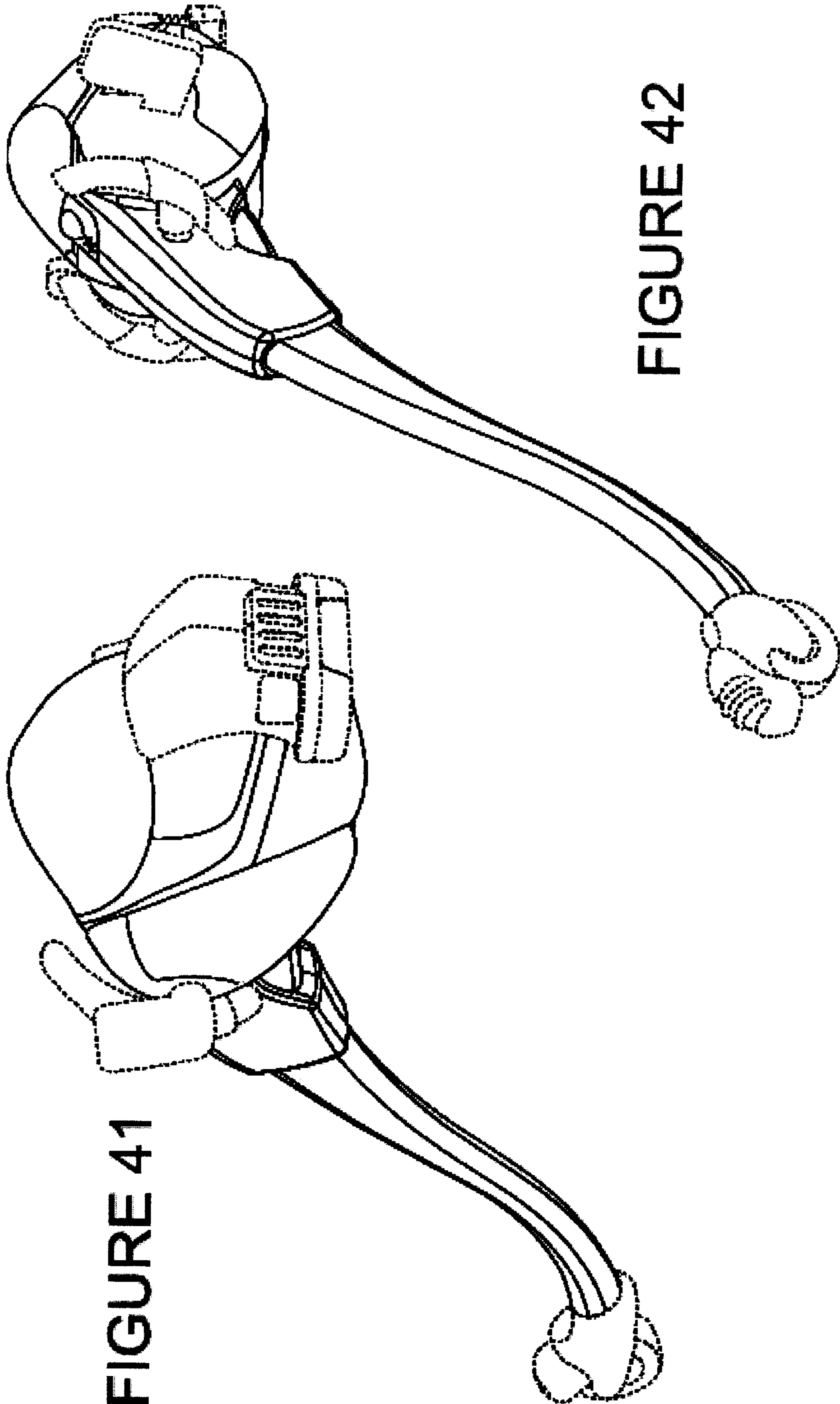


FIGURE 41

FIGURE 42