



US00D536741S

(12) **United States Design Patent**  
**Brookins**

(10) **Patent No.:** **US D536,741 S**

(45) **Date of Patent:** **\*\* Feb. 13, 2007**

- (54) **SLOT MACHINE CARD HOLDER**
- (75) Inventor: **Douglas Brookins**, Pittsgrove, NJ (US)
- (73) Assignee: **Specialty House of Creation, Inc.**,  
Pittsgrove, NJ (US)
- (\*\*) Term: **14 Years**

5,590,880 A	1/1997	Flam
6,009,048 A	12/1999	Raesz
6,076,296 A	6/2000	Schaeffer
D464,998 S	10/2002	Brookins
D486,531 S	2/2004	Brookins
D512,106 S	* 11/2005	Brookins ..... D21/370

\* cited by examiner

*Primary Examiner*—Sandra L. Morris

(74) *Attorney, Agent, or Firm*—Marvin C. Gaer

- (21) Appl. No.: **29/240,553**
- (22) Filed: **Oct. 14, 2005**

(57) **CLAIM**

The ornamental design for a slot machine card holder, as shown and described.

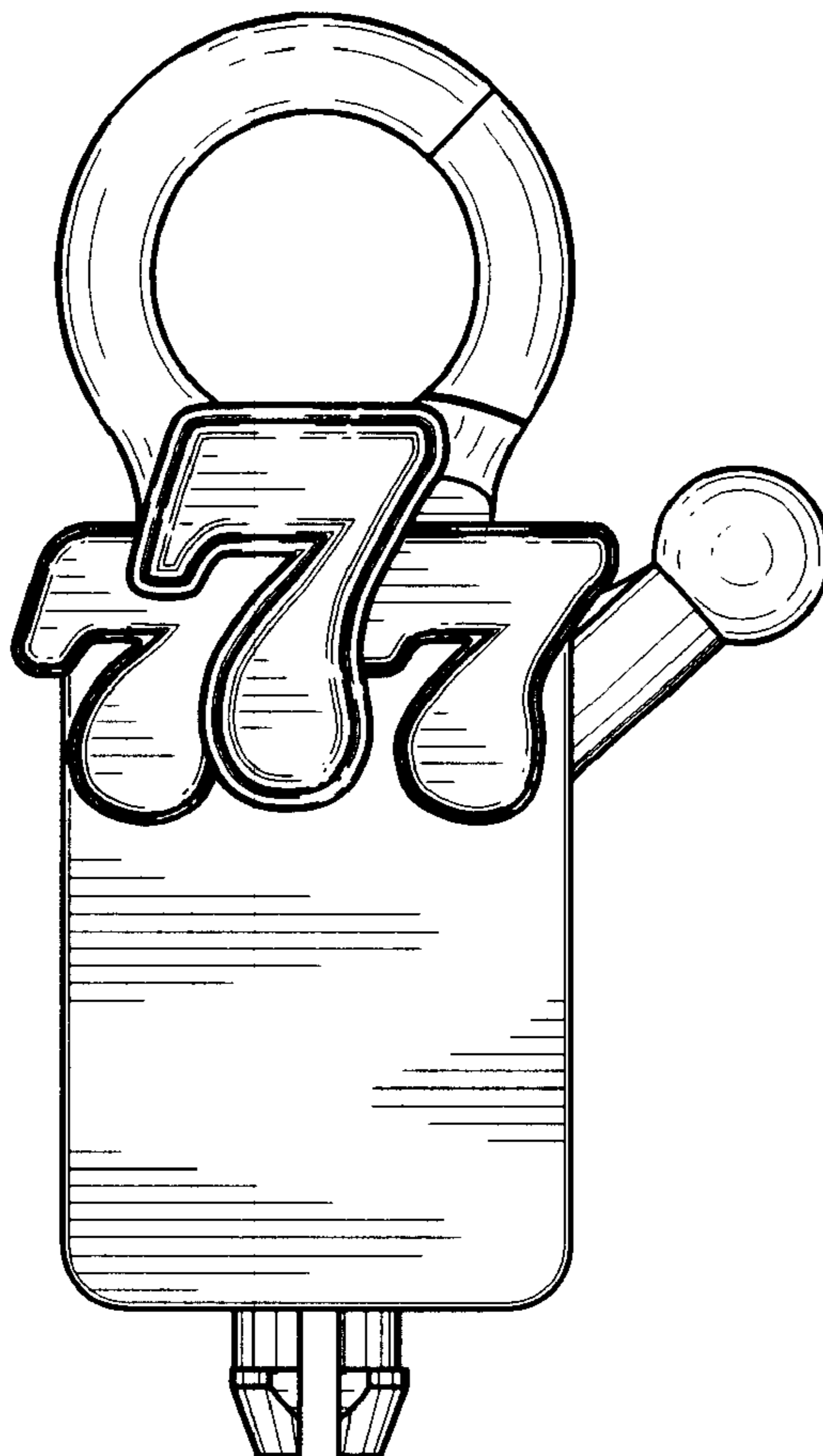
- (51) **LOC (8) Cl.** ..... **21-03**
  - (52) **U.S. Cl.** ..... **D21/370; D21/394**
  - (58) **Field of Classification Search** ..... D3/211,  
D3/215, 234, 274; D11/81, 238; D21/369-370,  
D21/385, 392, 394, 396; 273/148 A, 150;  
463/17, 20, 46, 47
- See application file for complete search history.

**DESCRIPTION**

FIG. 1 is a front elevation view of the slot holder machine card showing my new design.  
 FIG. 2 is a rear elevation view thereof;  
 FIG. 3 is a right side elevation view thereof;  
 FIG. 4 is a left side elevation view thereof;  
 FIG. 5 is a top plan view thereof; and,  
 FIG. 6 is a bottom end view thereof.

- (56) **References Cited**  
U.S. PATENT DOCUMENTS
- |             |         |               |
|-------------|---------|---------------|
| D361,516 S  | 8/1995  | Peersmann     |
| D366,359 S  | 1/1996  | Riedl         |
| 5,560,603 A | 10/1996 | Seelig et al. |

**1 Claim, 3 Drawing Sheets**



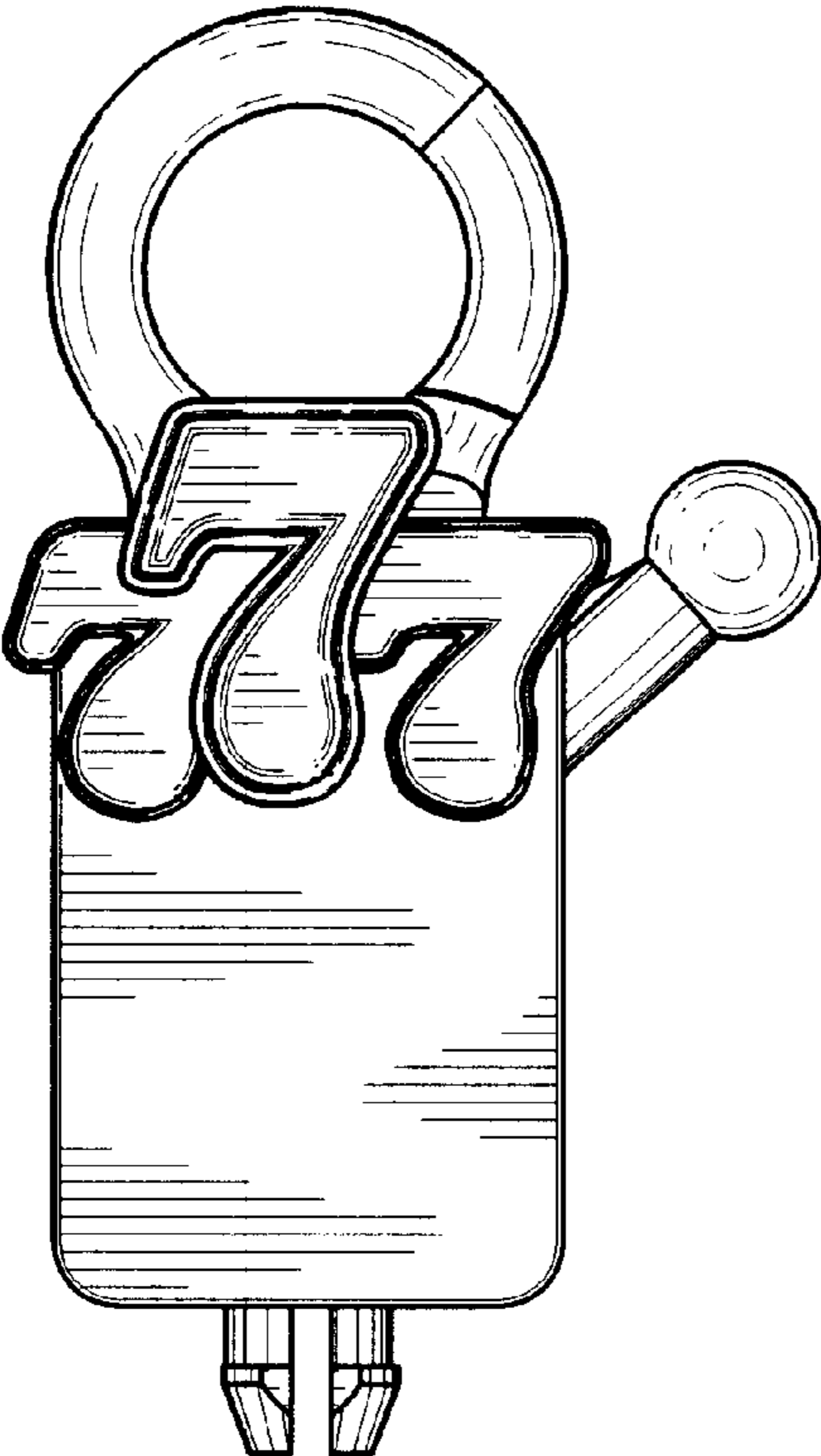


FIG. 1

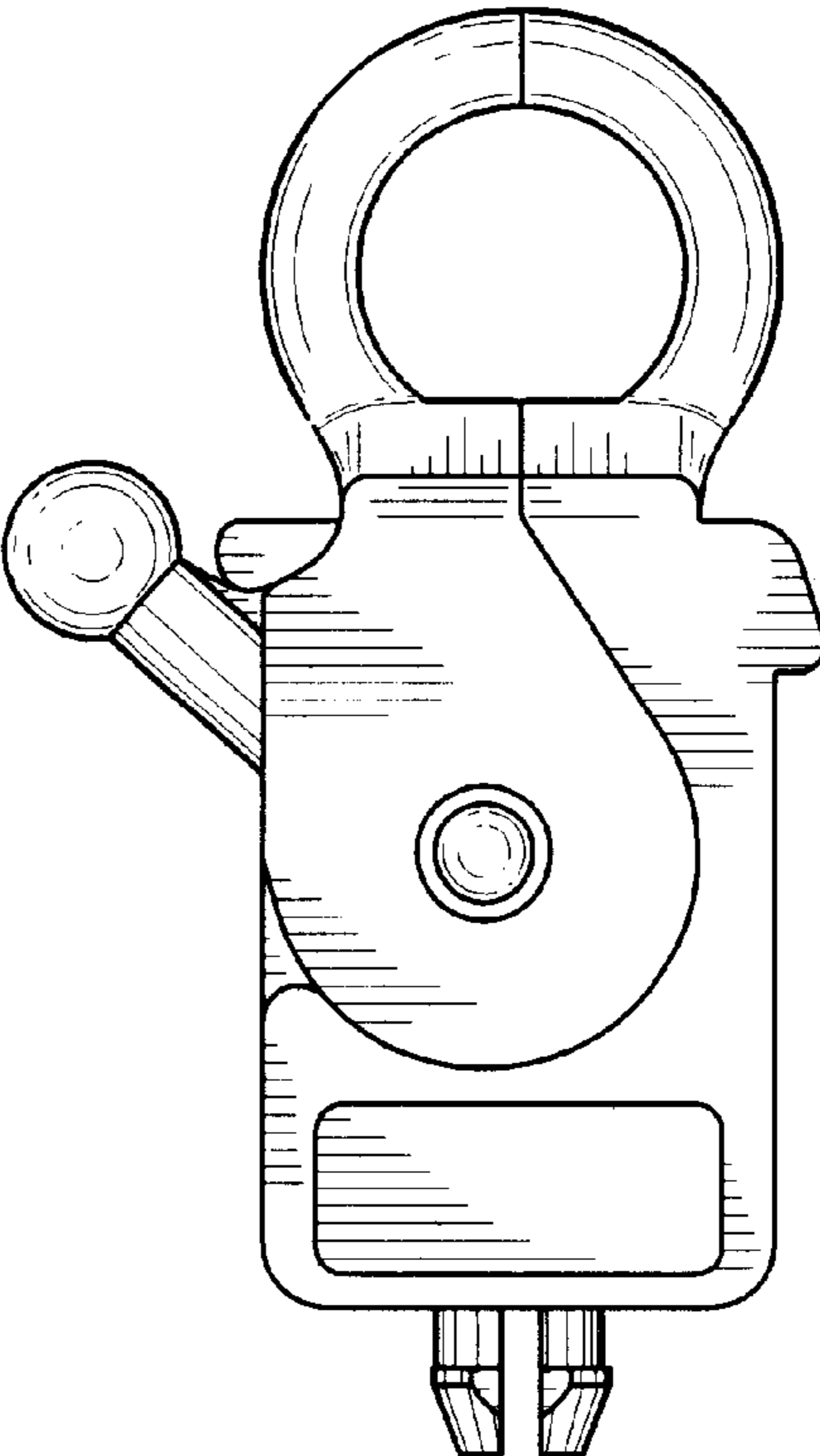


FIG. 2

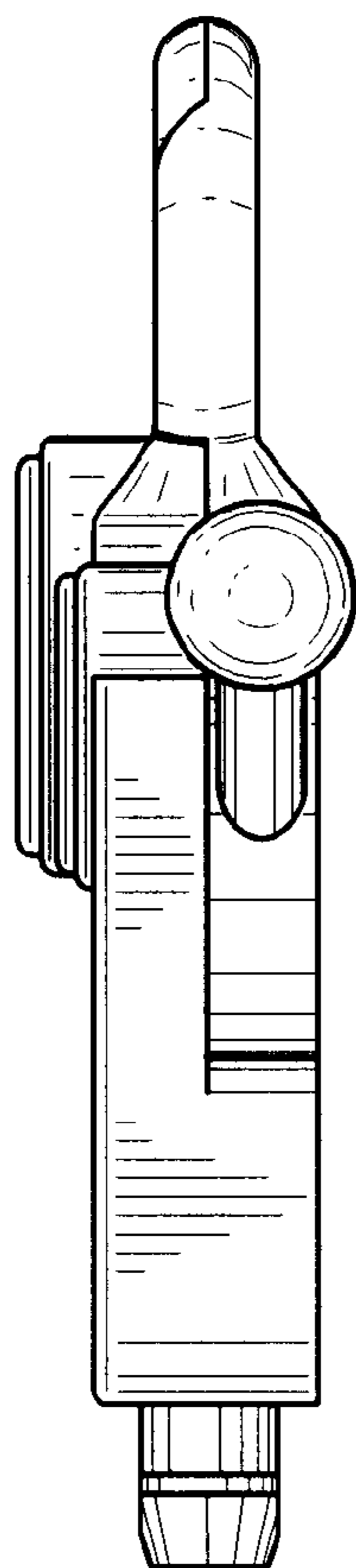


FIG. 3

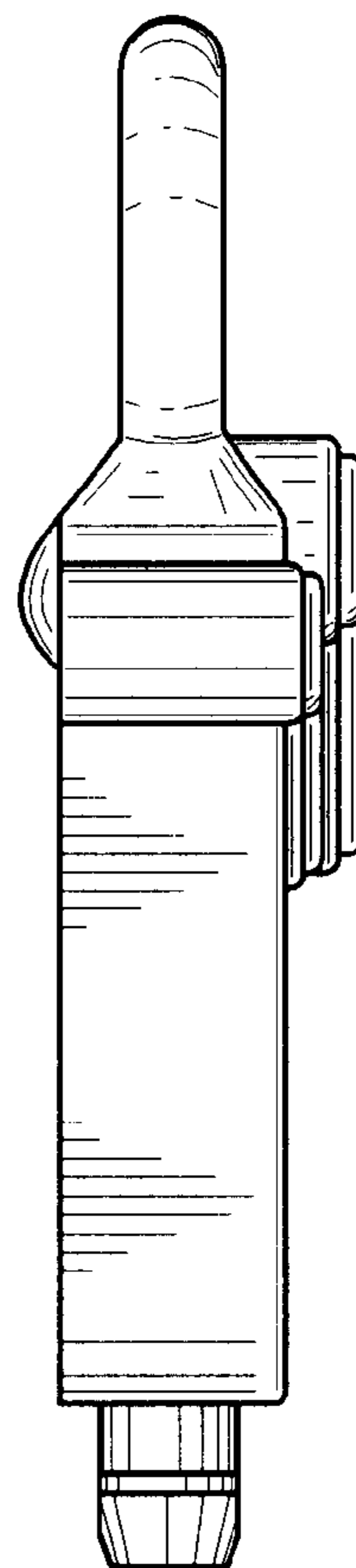


FIG. 4

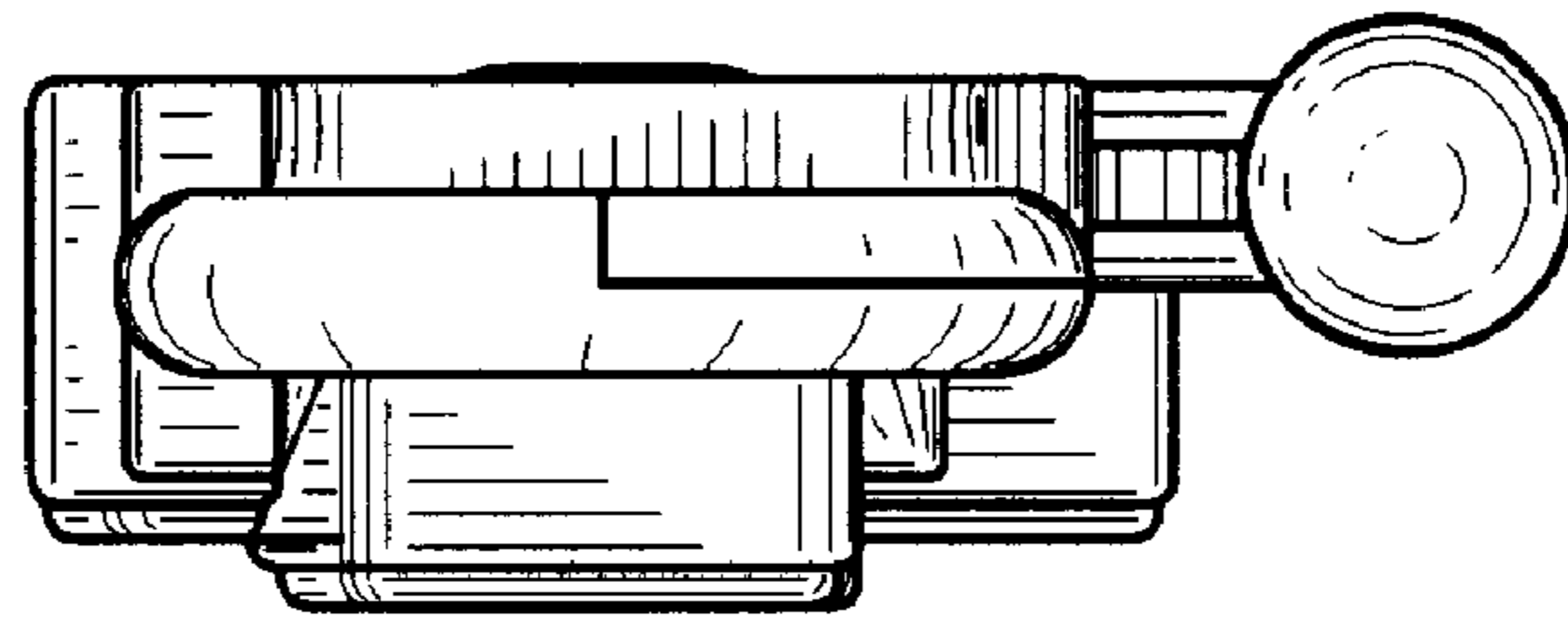


FIG. 5

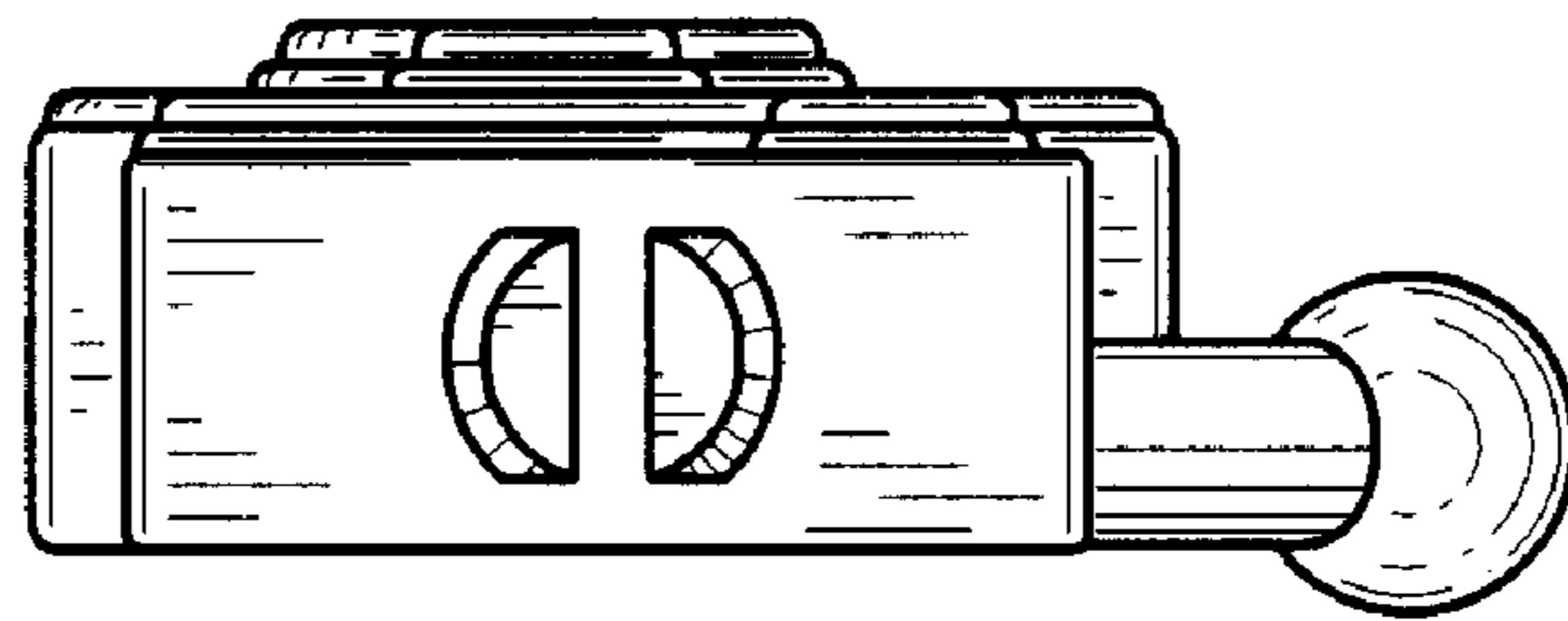


FIG. 6