



US00D536733S

(12) **United States Design Patent**
Cetera

(10) **Patent No.:** **US D536,733 S**

(45) **Date of Patent:** **** *Feb. 13, 2007**

(54) **PEN**

(75) **Inventor:** **Carl Cetera**, Tenafly, NJ (US)

(73) **Assignee:** **Cotapapaxi Custom Design and Manufacturing, LLC**, Carlstadt, NJ (US)

(*) **Notice:** This patent is subject to a terminal disclaimer.

(**) **Term:** **14 Years**

(21) **Appl. No.:** **29/224,712**

(22) **Filed:** **Mar. 4, 2005**

(51) **LOC (8) Cl.** **19-06**

(52) **U.S. Cl.** **D19/51**

(58) **Field of Classification Search** D19/36,
D19/37, 41-51, 54-57; 24/11 R, 11 F, 11 P;
401/52, 99, 100, 104, 105, 106, 107, 108,
401/109, 192, 195, 243-247

See application file for complete search history.

(56) **References Cited**

U.S. PATENT DOCUMENTS

D485,574 S * 1/2004 Keil D19/50

D490,851 S * 6/2004 Losel D19/51

D495,365 S * 8/2004 Cetera D19/51

D498,496 S * 11/2004 Volk D19/54

D500,522 S * 1/2005 Rommel D19/51

D508,951 S * 8/2005 Cetera D19/51

D521,556 S * 5/2006 Cetera D19/51

* cited by examiner

Primary Examiner—Elizabeth A. Albert

(74) *Attorney, Agent, or Firm*—The Soni Law Firm

(57) **CLAIM**

The ornamental design for a pen, as shown and described.

DESCRIPTION

FIG. 1 is a top front perspective view of the pen;

FIG. 2 is a front elevation view of the pen of FIG. 1;

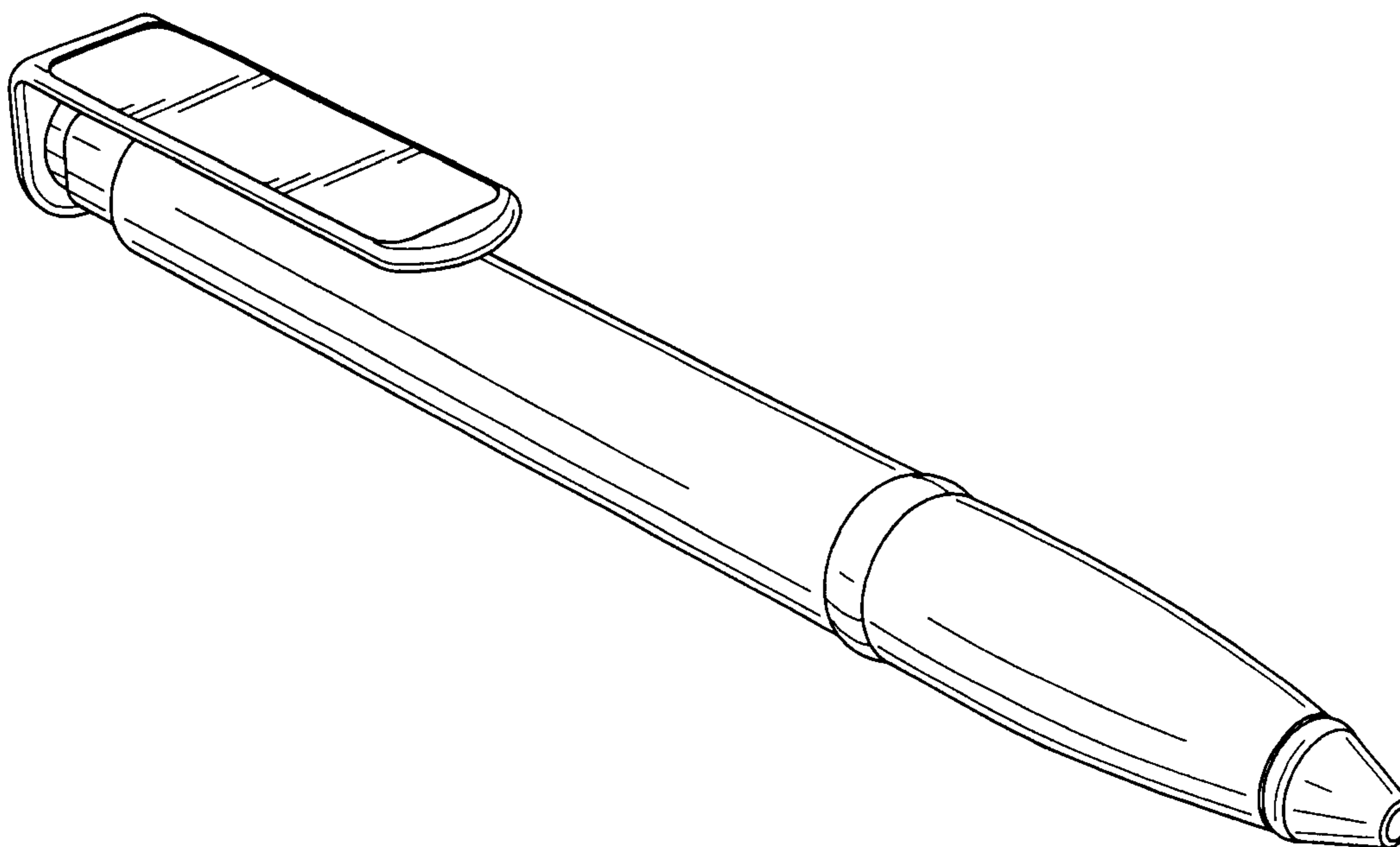
FIG. 3 is a side elevation view of the pen of FIG. 1;

FIG. 4 is a back side elevation view of the pen of FIG. 1;

FIG. 5 is a bottom plan view of the pen of FIG. 1; and,

FIG. 6 is a top plan view of the pen of FIG. 1.

1 Claim, 2 Drawing Sheets



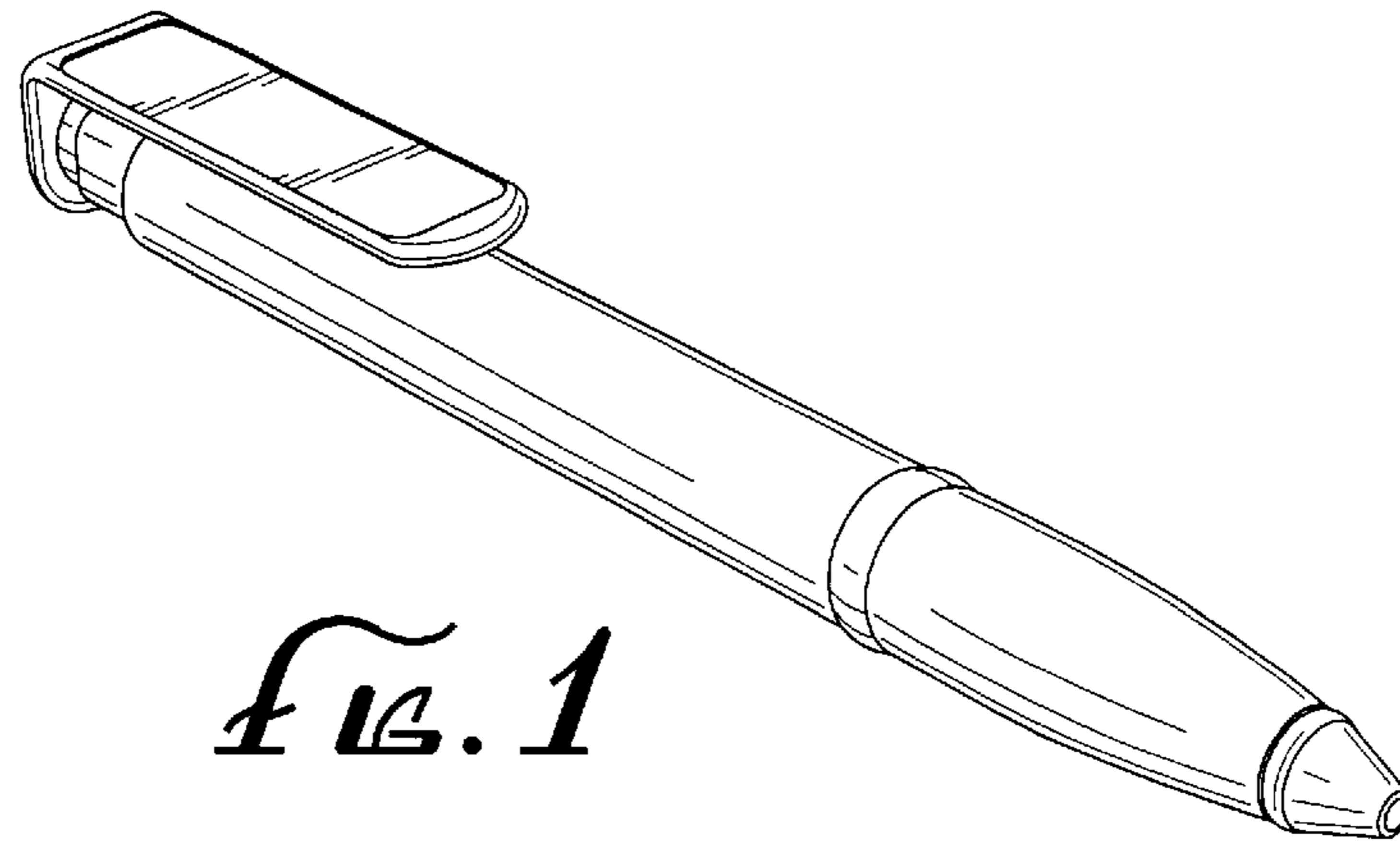


FIG. 1

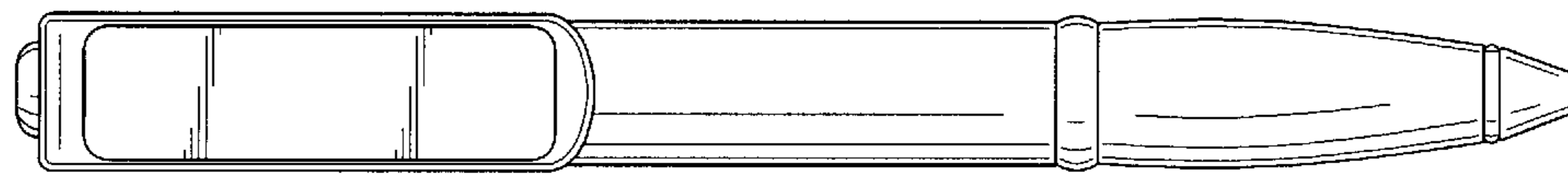


FIG. 2

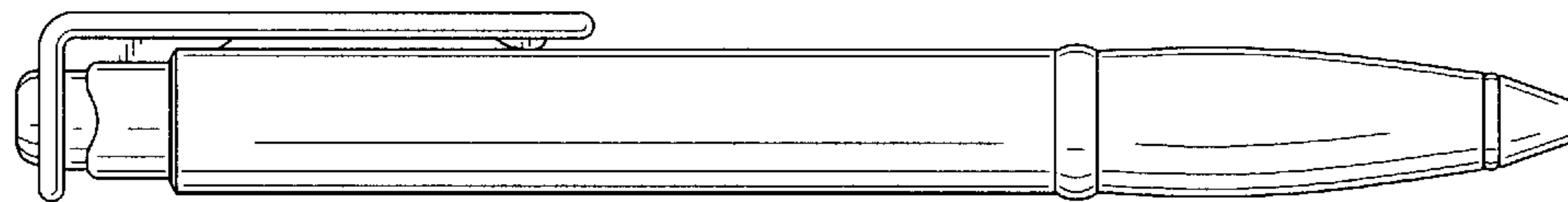


FIG. 3

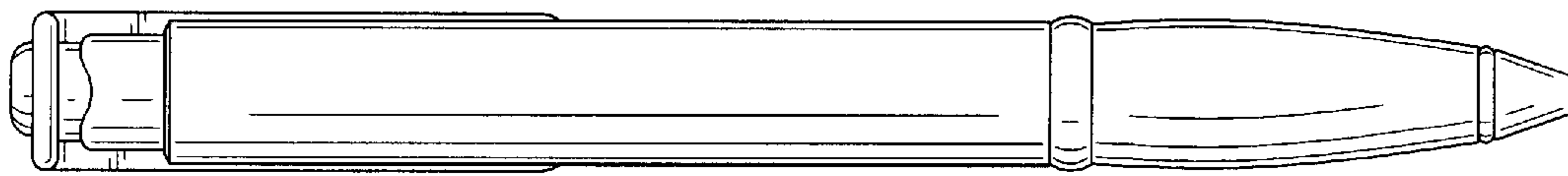


FIG. 4

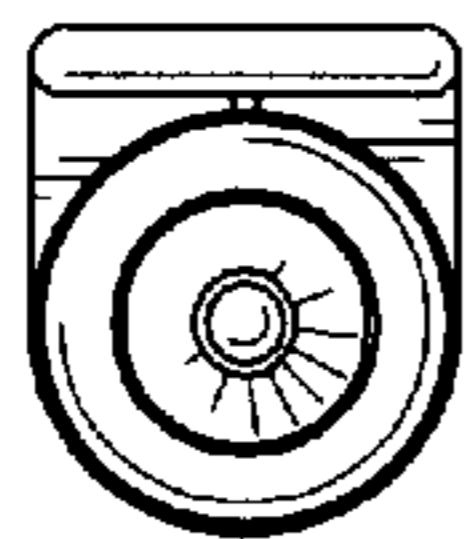


FIG. 5

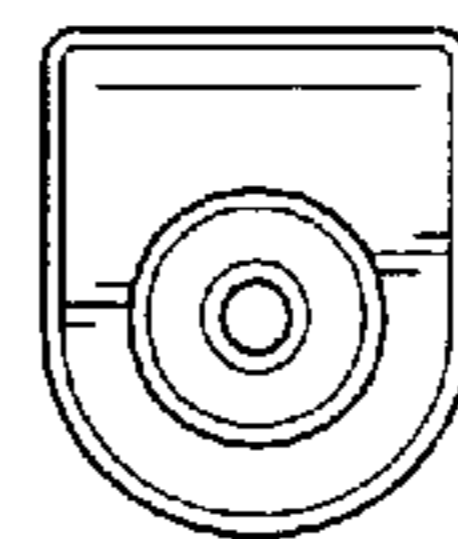


FIG. 6