



US00D536731S

(12) **United States Design Patent**
Tate et al.

(10) **Patent No.:** **US D536,731 S**
(45) **Date of Patent:** **** Feb. 13, 2007**

(54) **PRINTER**

(75) Inventors: **Maria Del Carmen Tate**, Santee, CA (US); **Christopher L. Whittall**, La Jolla, CA (US); **James S. Owen**, Portland, OR (US)

(73) Assignee: **Hewlett-Packard Development Company, LP.**, Houston, TX (US)

(**) Term: **14 Years**

(21) Appl. No.: **29/236,491**

(22) Filed: **Aug. 17, 2005**

(51) **LOC (8) Cl.** **14-02**

(52) **U.S. Cl.** **D18/50**

(58) **Field of Classification Search** D18/36-39, D18/53-54, 54.1, 55; D14/420-425, 356-357, D14/361-363; D16/246-248, 237; 399/107; 400/613, 613.1-613.4, 691-694
See application file for complete search history.

(56) **References Cited**

U.S. PATENT DOCUMENTS

D355,178 S * 2/1995 Savrada et al. D14/467
D390,842 S * 2/1998 Matsushima et al. D14/467

D433,703 S * 11/2000 Hosono et al. D18/50
D459,389 S * 6/2002 Kaseno D18/50
D463,485 S * 9/2002 Yoshida et al. D18/50
D493,469 S * 7/2004 Hattori et al. D14/468
D497,940 S * 11/2004 Hwang et al. D18/50
D518,091 S * 3/2006 Ishigami D18/55
D522,044 S * 5/2006 Emmenegger et al. D18/50

* cited by examiner

Primary Examiner—Cathy Anne MacCormac

(57) **CLAIM**

We claim the ornamental design for a printer, as shown and described.

DESCRIPTION

FIG. 1 is a top perspective view of a printer showing our new design;
FIG. 2 is a right end elevational view thereof, the left end elevational view being a mirror image of a right end elevational view shown;
FIG. 3 is a top plan view thereof;
FIG. 4 is a front elevational view thereof; and,
FIG. 5 is a rear elevational view thereof.
The broken lines in the drawings are for illustrative purposes only and form no part of the claimed design.

1 Claim, 5 Drawing Sheets

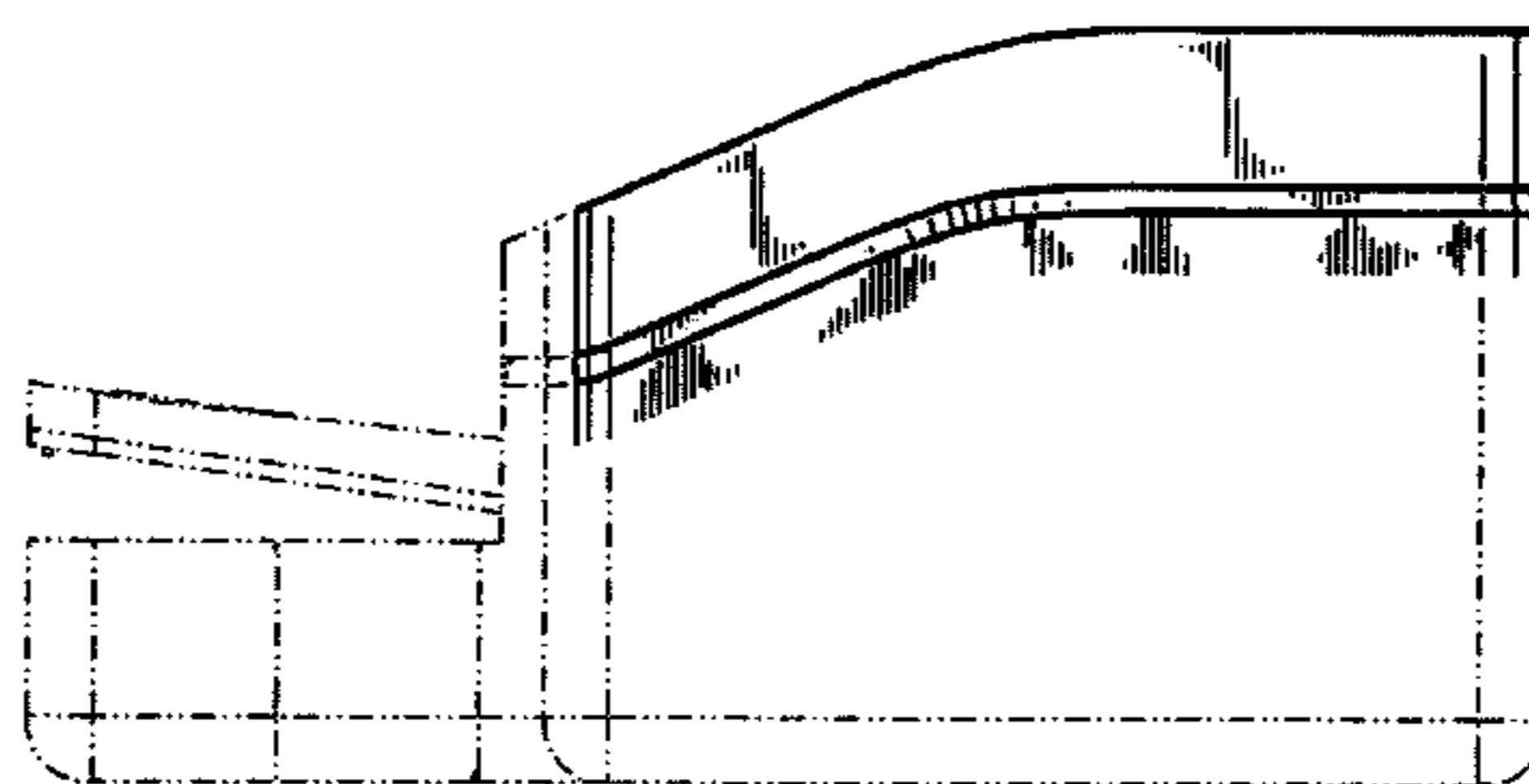
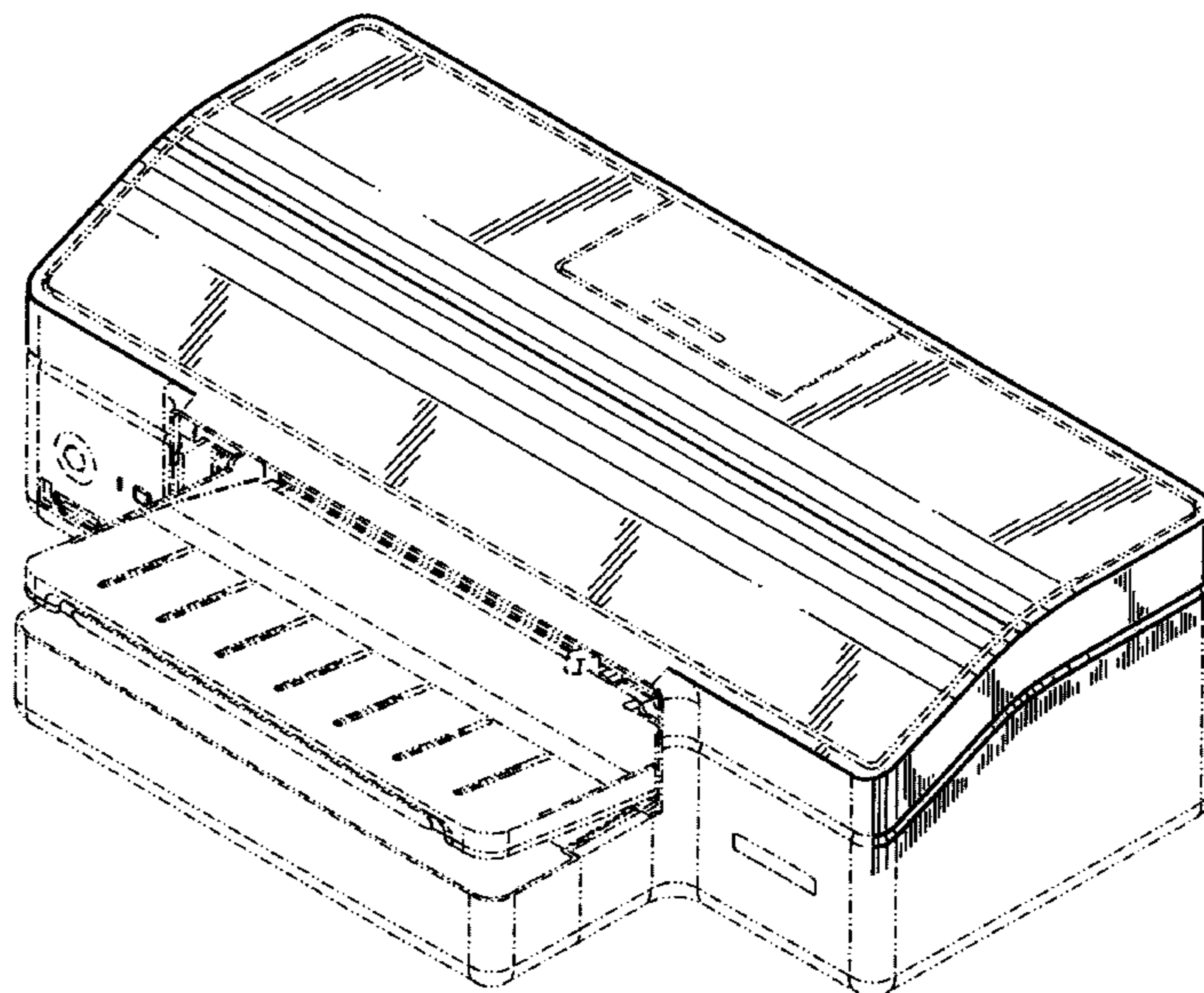


FIG. 1

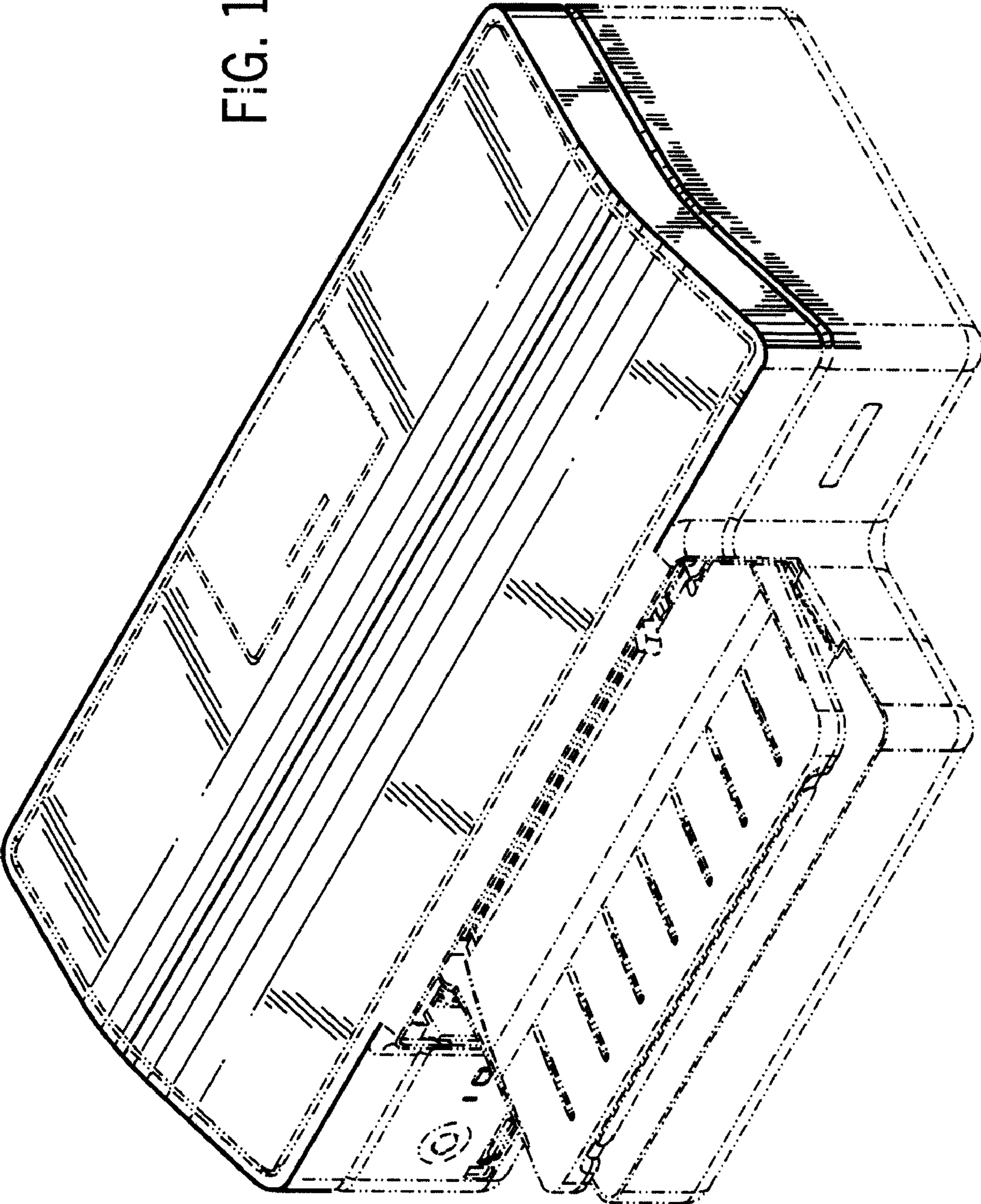


FIG. 2

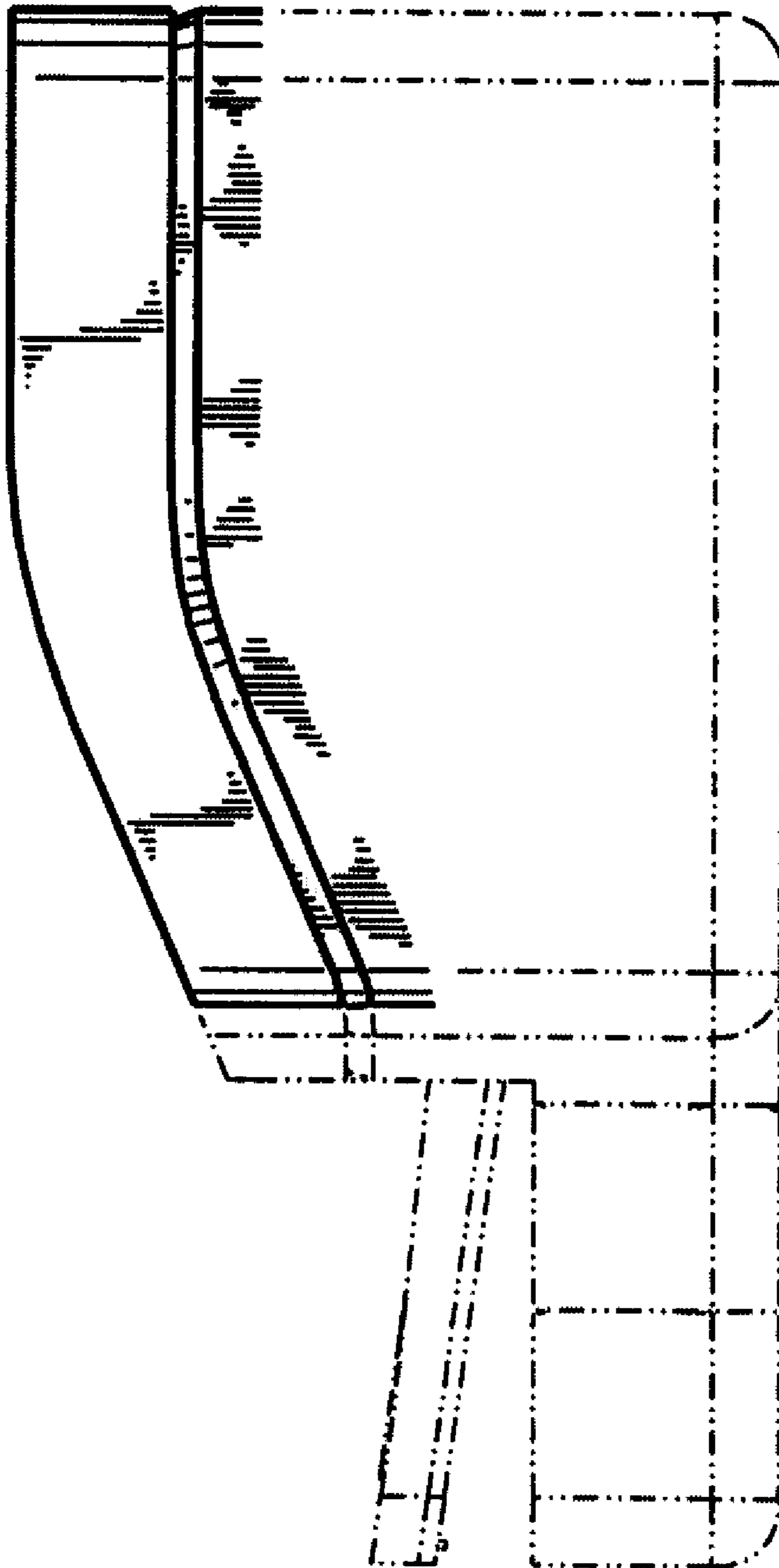


FIG. 3

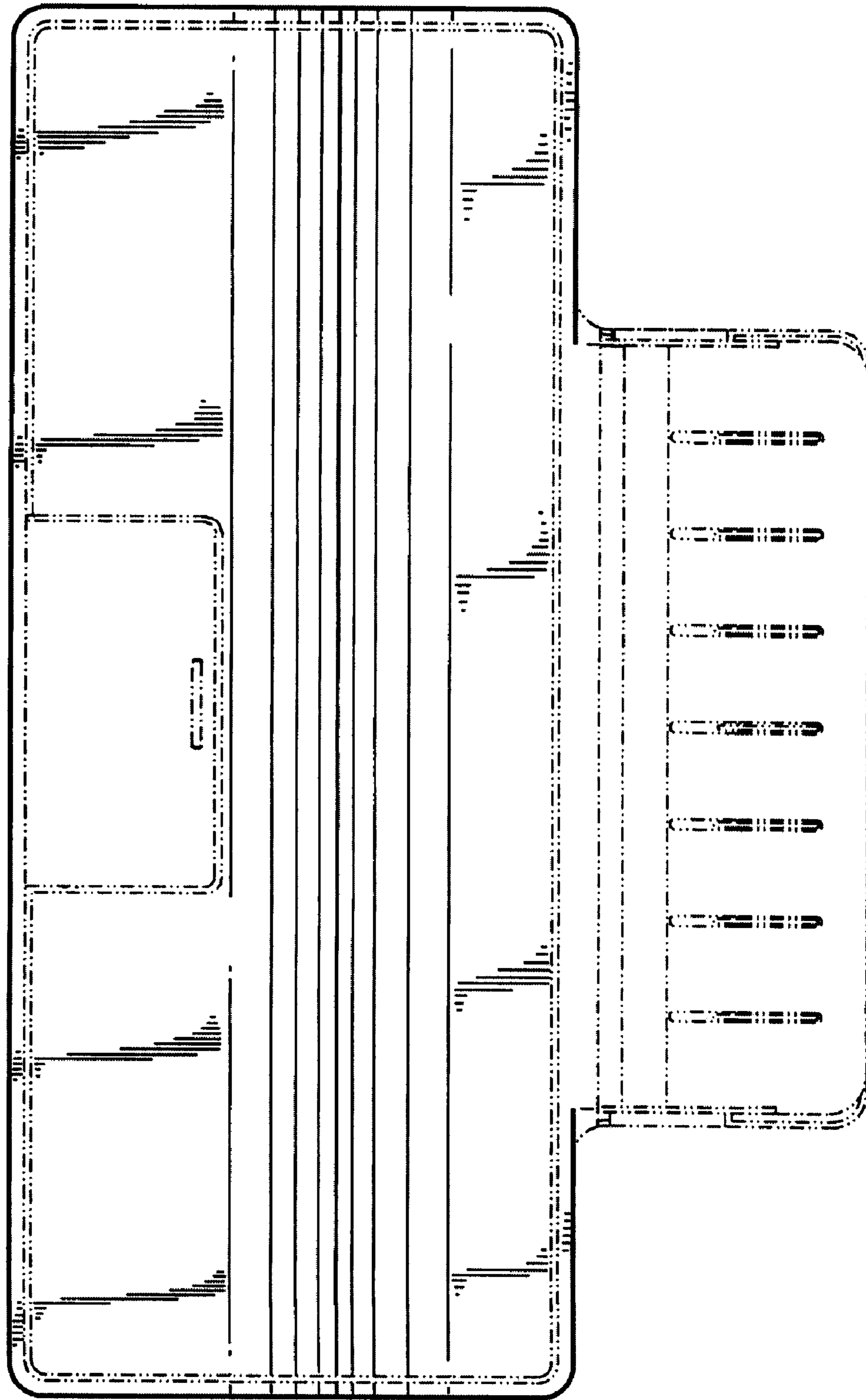


FIG. 4

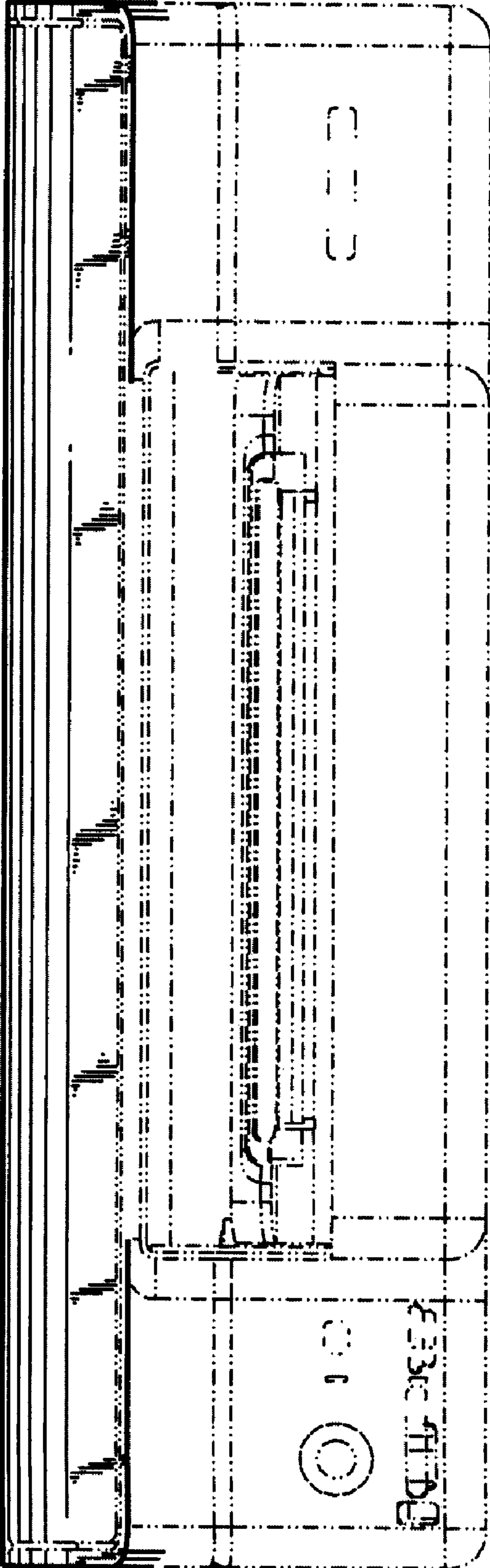


FIG. 5

