



US00D536729S

(12) **United States Design Patent**
Hattori

(10) **Patent No.:** **US D536,729 S**

(45) **Date of Patent:** **** Feb. 13, 2007**

(54) **PRINTER**

(75) Inventor: **Mitsuharu Hattori**, Nagoya (JP)

(73) Assignee: **Brother Industries, Ltd.**, Nagoyo (JP)

(**) Term: **14 Years**

(21) Appl. No.: **29/203,773**

(22) Filed: **Apr. 20, 2004**

(30) **Foreign Application Priority Data**

Nov. 10, 2003 (JP) 2003-033231
Dec. 26, 2003 (JP) 2003-038744

(51) **LOC (8) Cl.** **14-02**

(52) **U.S. Cl.** **D18/50; D14/420**

(58) **Field of Classification Search** D18/36-39,
D18/46-49, 53-54, 54.1, 55; D14/420-425,
D14/462-470; 400/613, 613.1-613.4, 690.1-690.4,
400/691-694

See application file for complete search history.

(56) **References Cited**

U.S. PATENT DOCUMENTS

D264,345 S * 5/1982 Masaki et al. D18/37
D267,802 S * 2/1983 Yasutani D18/36
D270,541 S * 9/1983 Matsuzaka D18/36
D276,347 S * 11/1984 Matsuzaka D18/36
D284,864 S * 7/1986 Serikawa et al. D18/36
4,644,391 A * 2/1987 Shibuya et al. D18/36
D297,435 S * 8/1988 Hara D18/36
D297,436 S * 8/1988 Okuyama et al. D18/36
D301,471 S * 6/1989 Hara D18/36
D303,792 S * 10/1989 Hara D18/37
D332,258 S * 1/1993 Urushihara et al. D14/464

D354,076 S * 1/1995 Fukuda et al. D18/36
D378,099 S * 2/1997 Yoshida et al. D18/36
D410,915 S * 6/1999 Suzuki D14/467
D413,584 S * 9/1999 Wu et al. D14/425
D448,403 S * 9/2001 Omuro et al. D14/425
D448,796 S * 10/2001 Clark et al. D18/55
D458,262 S * 6/2002 Huang et al. D14/424
D479,556 S * 9/2003 Hattori et al. D14/464
D480,732 S * 10/2003 Hattori et al. D14/469
D481,754 S * 11/2003 Hattori et al. D18/50
D483,802 S * 12/2003 Hattori D18/50
D493,469 S * 7/2004 Hattori et al. D14/468

* cited by examiner

Primary Examiner—Cathy Anne MacCormac

(74) *Attorney, Agent, or Firm*—Oliff & Berridge, PLC

(57) **CLAIM**

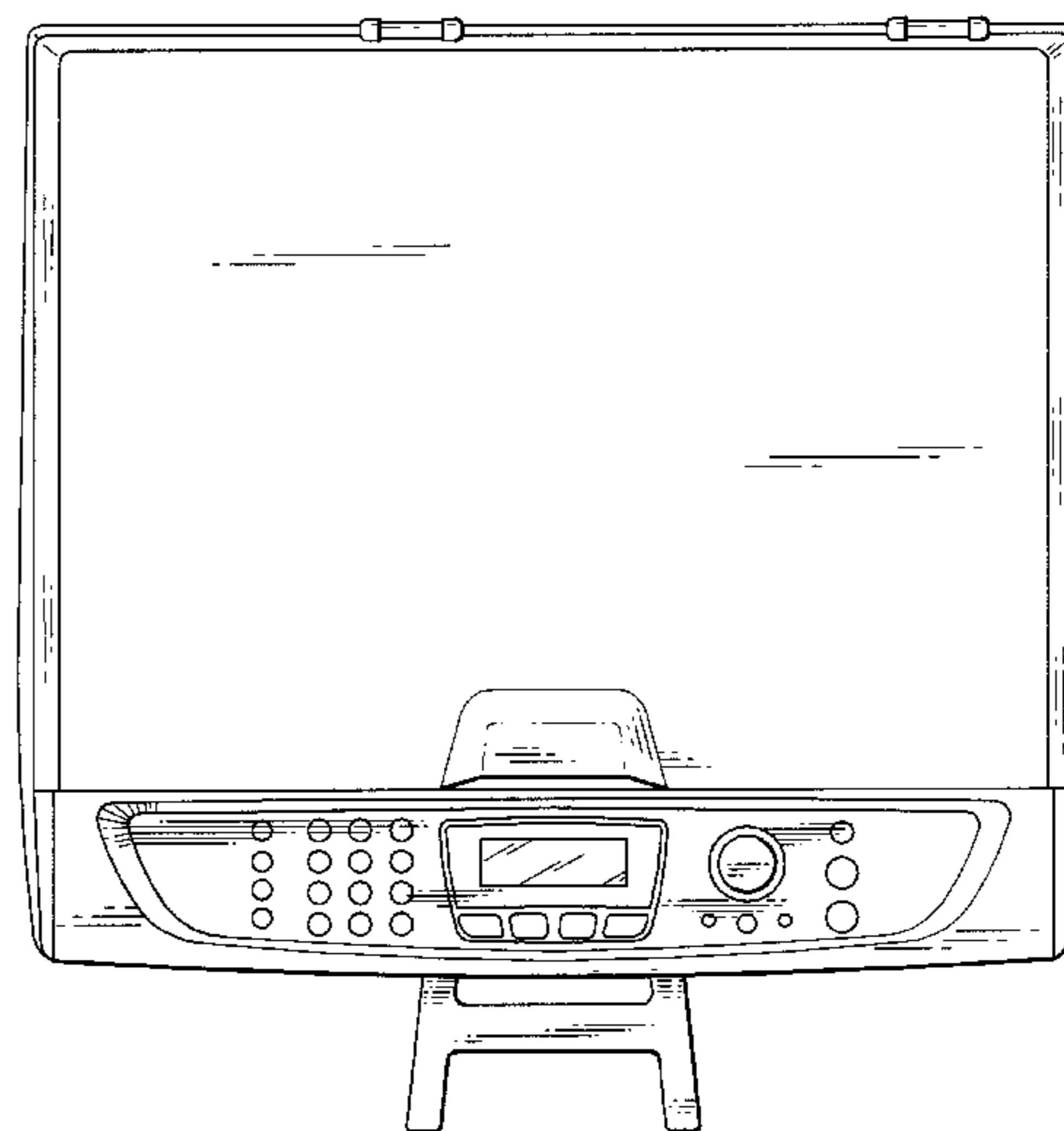
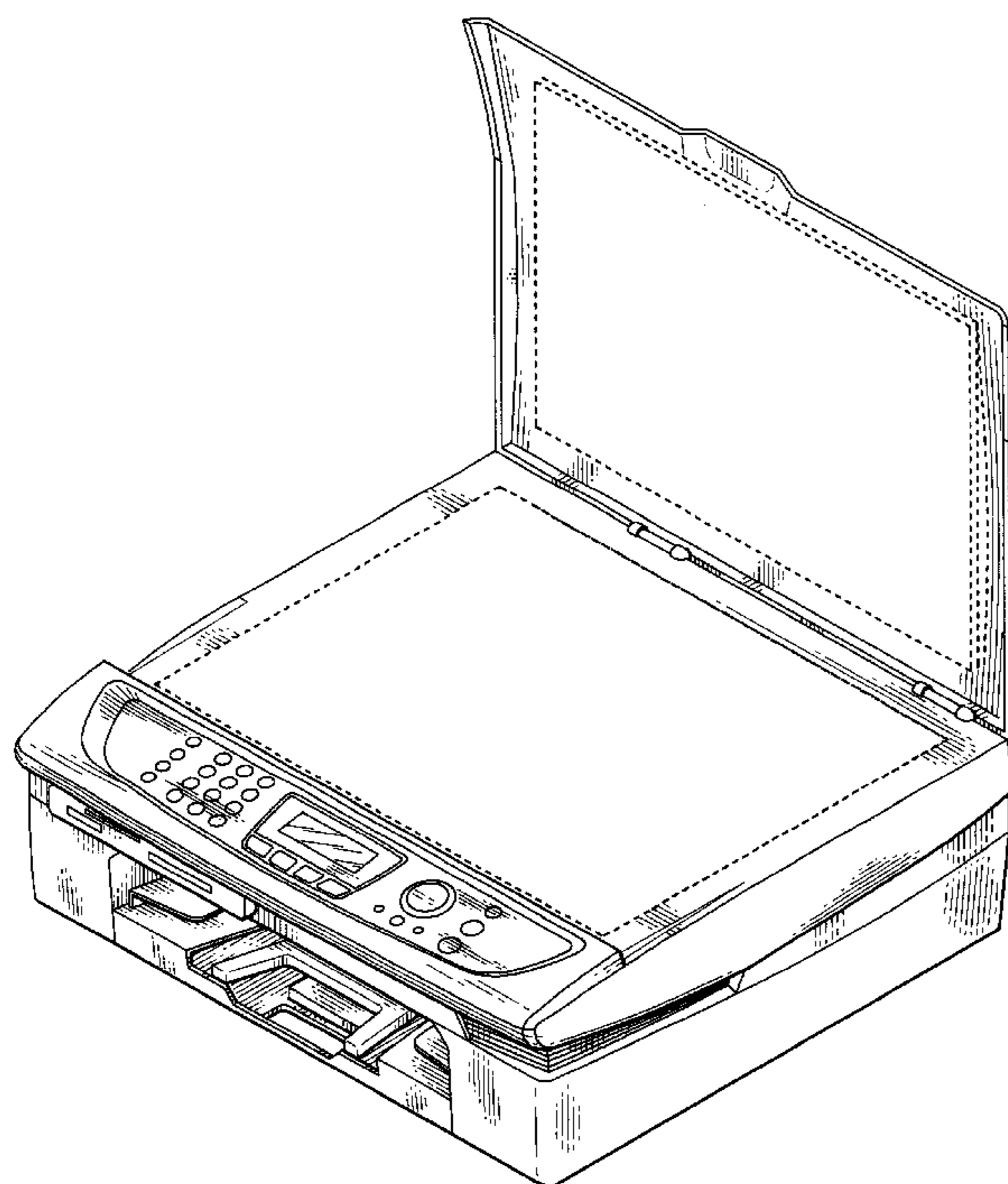
The ornamental design for a printer, as shown and described.

DESCRIPTION

FIG. 1 is a top view of a printer;
FIG. 2 is a front view thereof;
FIG. 3 is a right-side view thereof;
FIG. 4 is a left-side view thereof;
FIG. 5 is a rear view thereof;
FIG. 6 is a bottom view thereof;
FIG. 7 is a perspective view thereof;
FIG. 8 is a perspective view with a lid of the printer in a raised position; and,
FIG. 9 is a top view with a tray of the printer in an extended position.

The broken lines are for illustrative purposes only, and form no part of the claimed design.

1 Claim, 8 Drawing Sheets



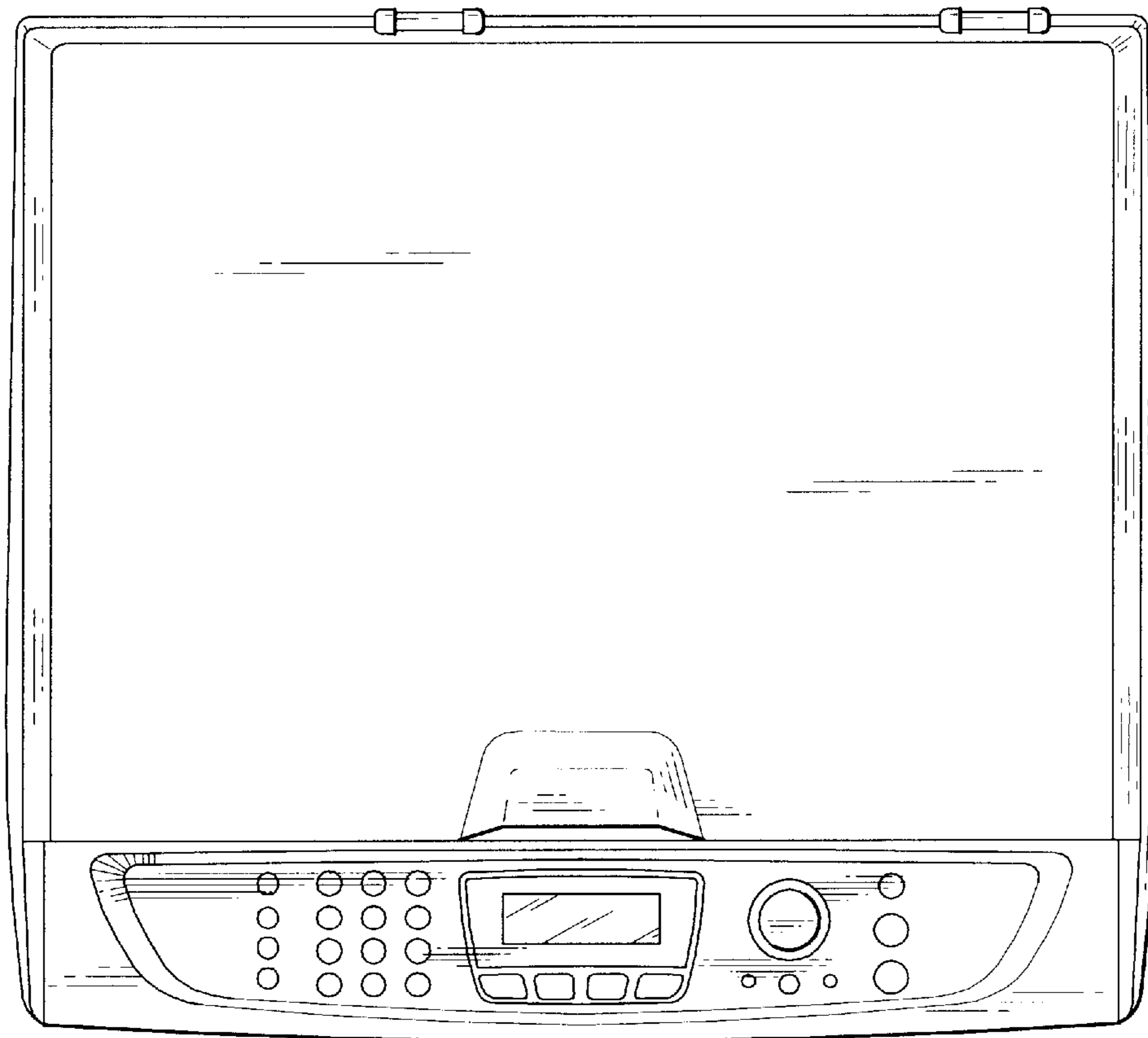


Fig. 1

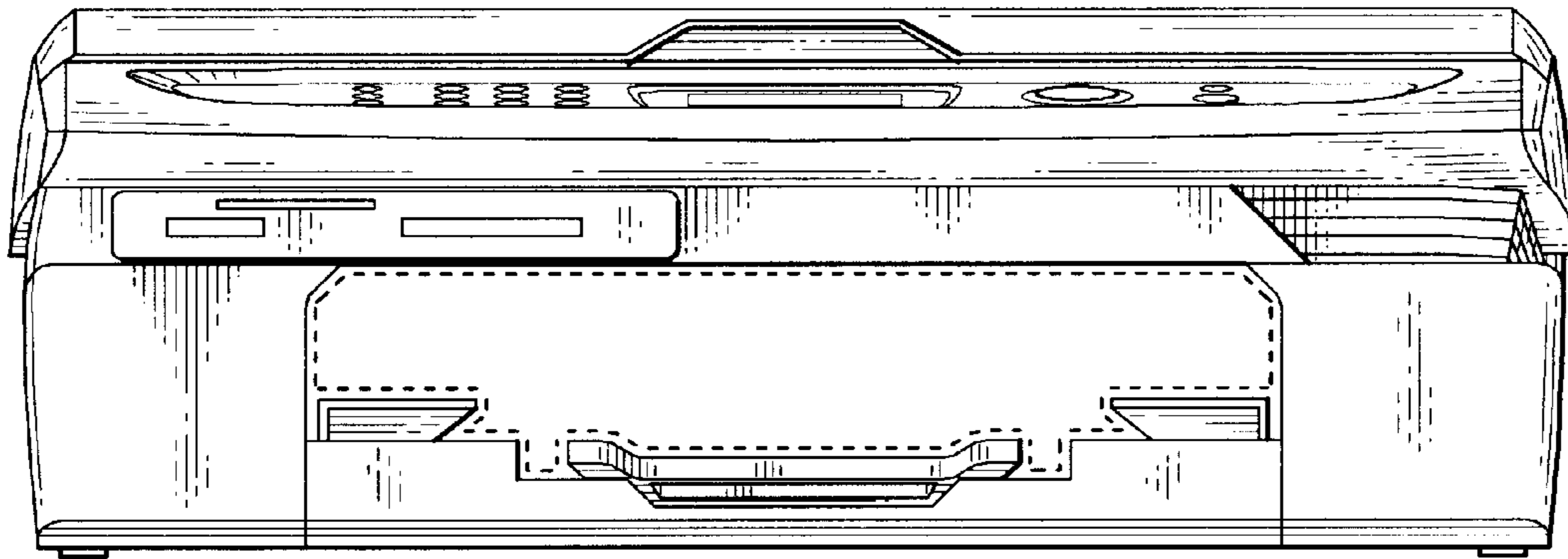


Fig. 2

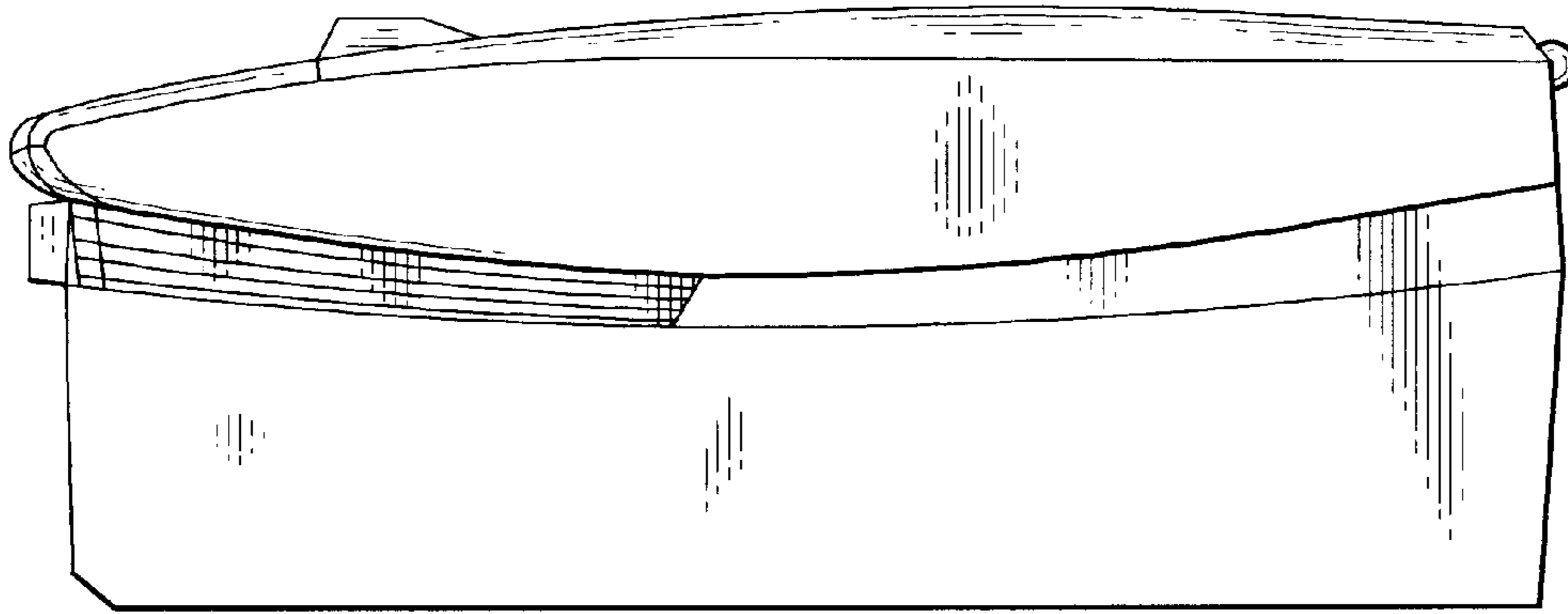


Fig. 3

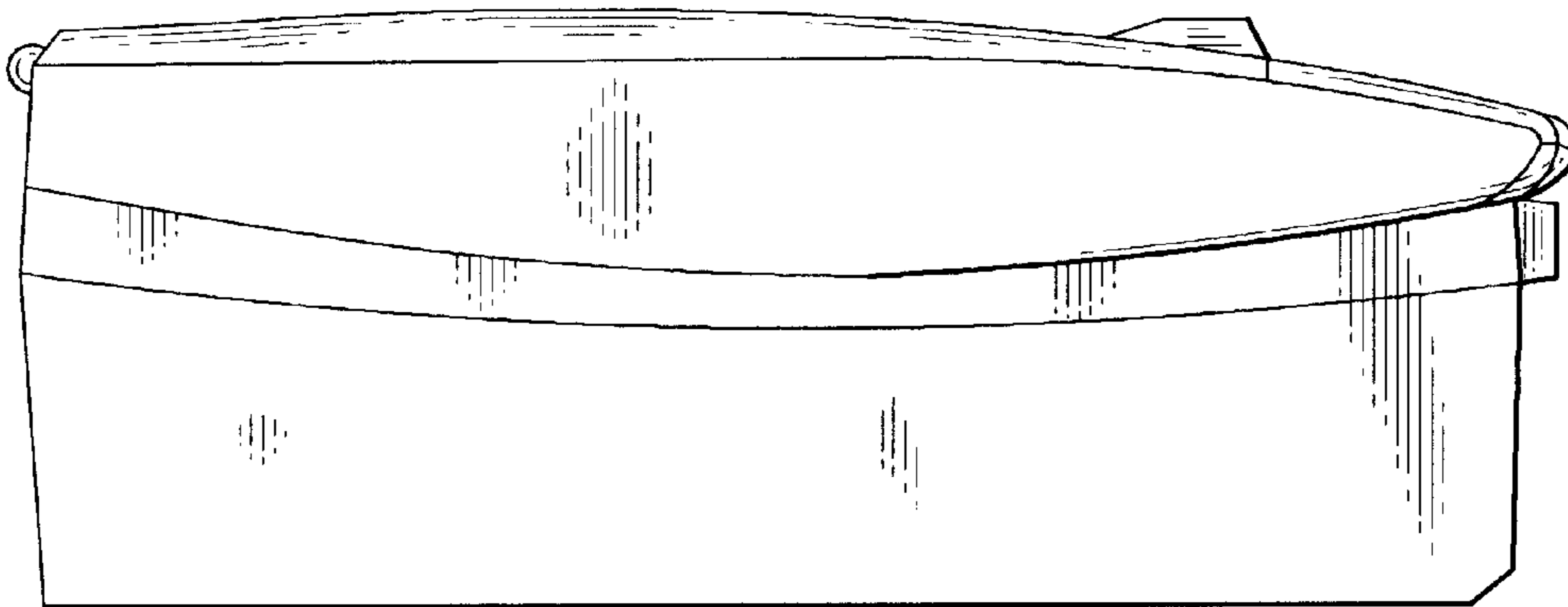


Fig. 4

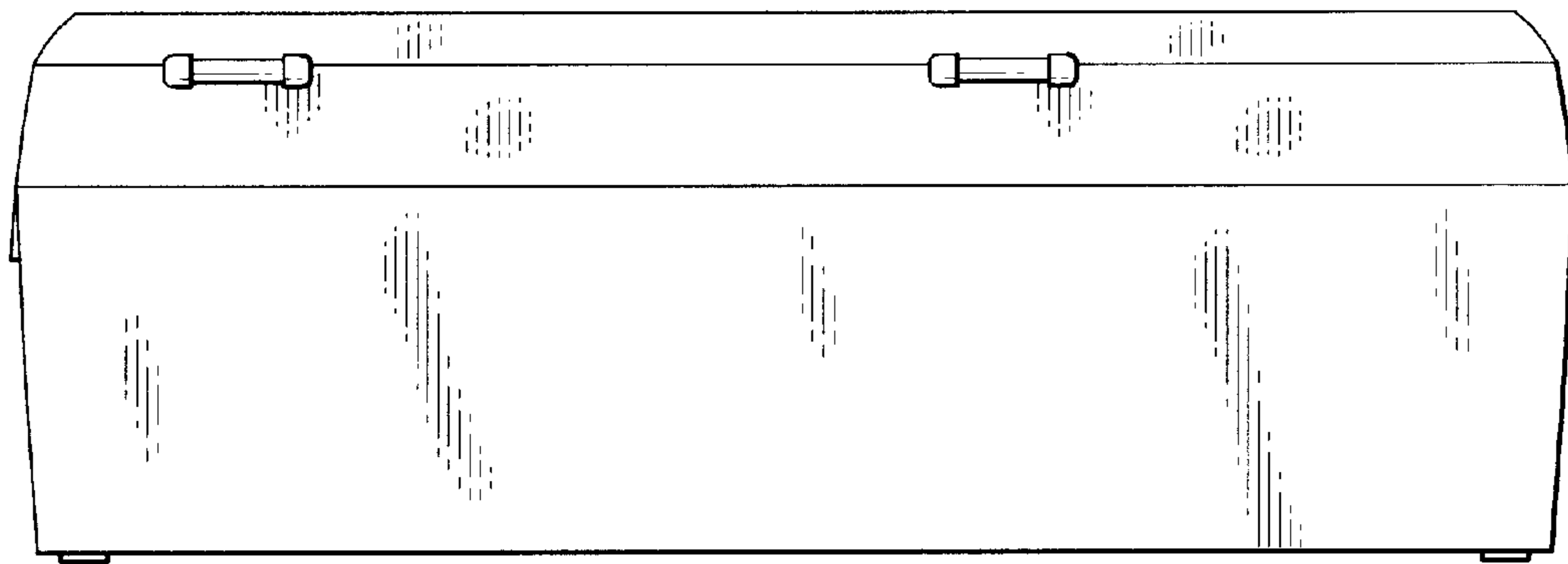


Fig. 5

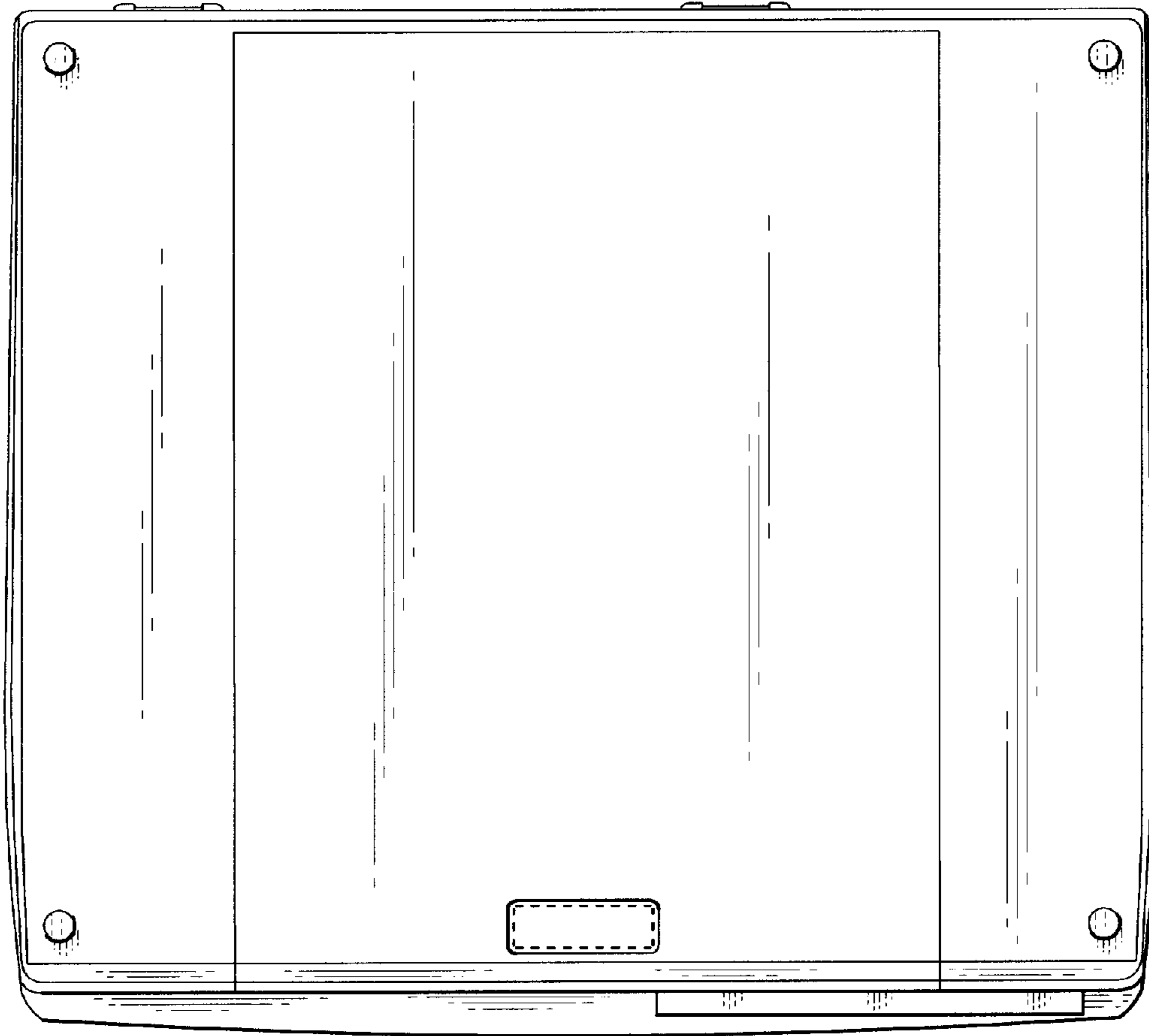


Fig. 6

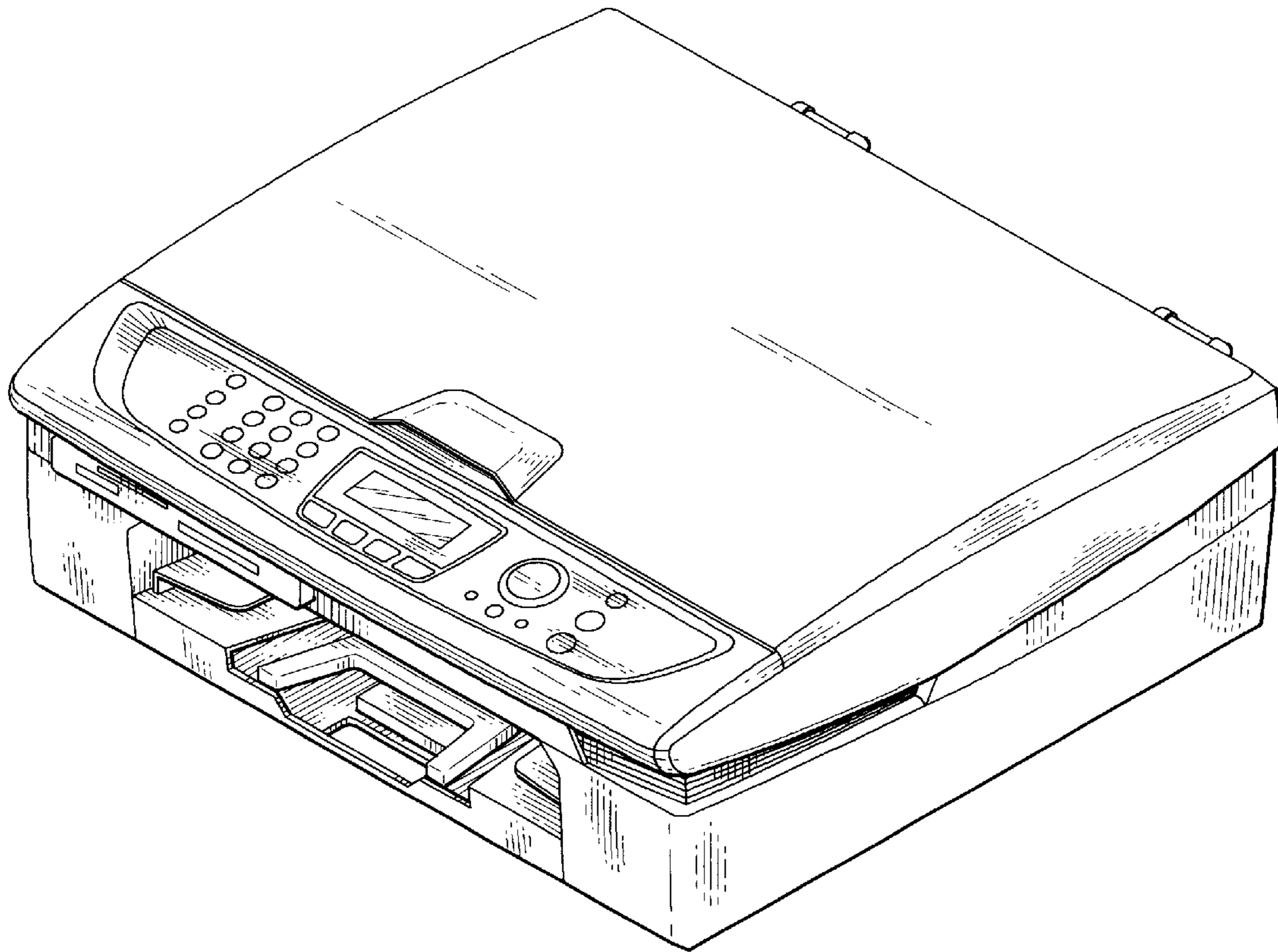


Fig. 7

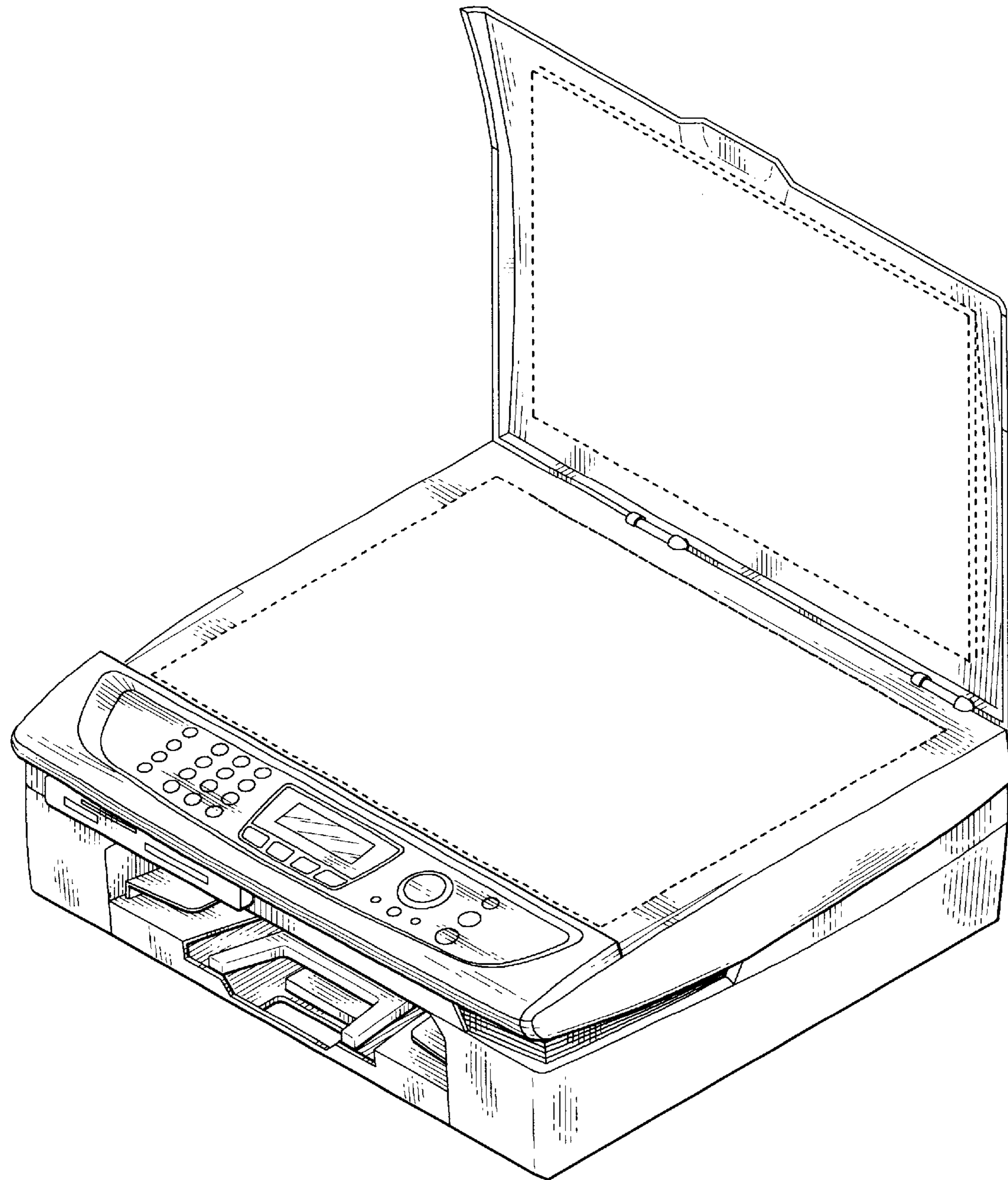


Fig. 8

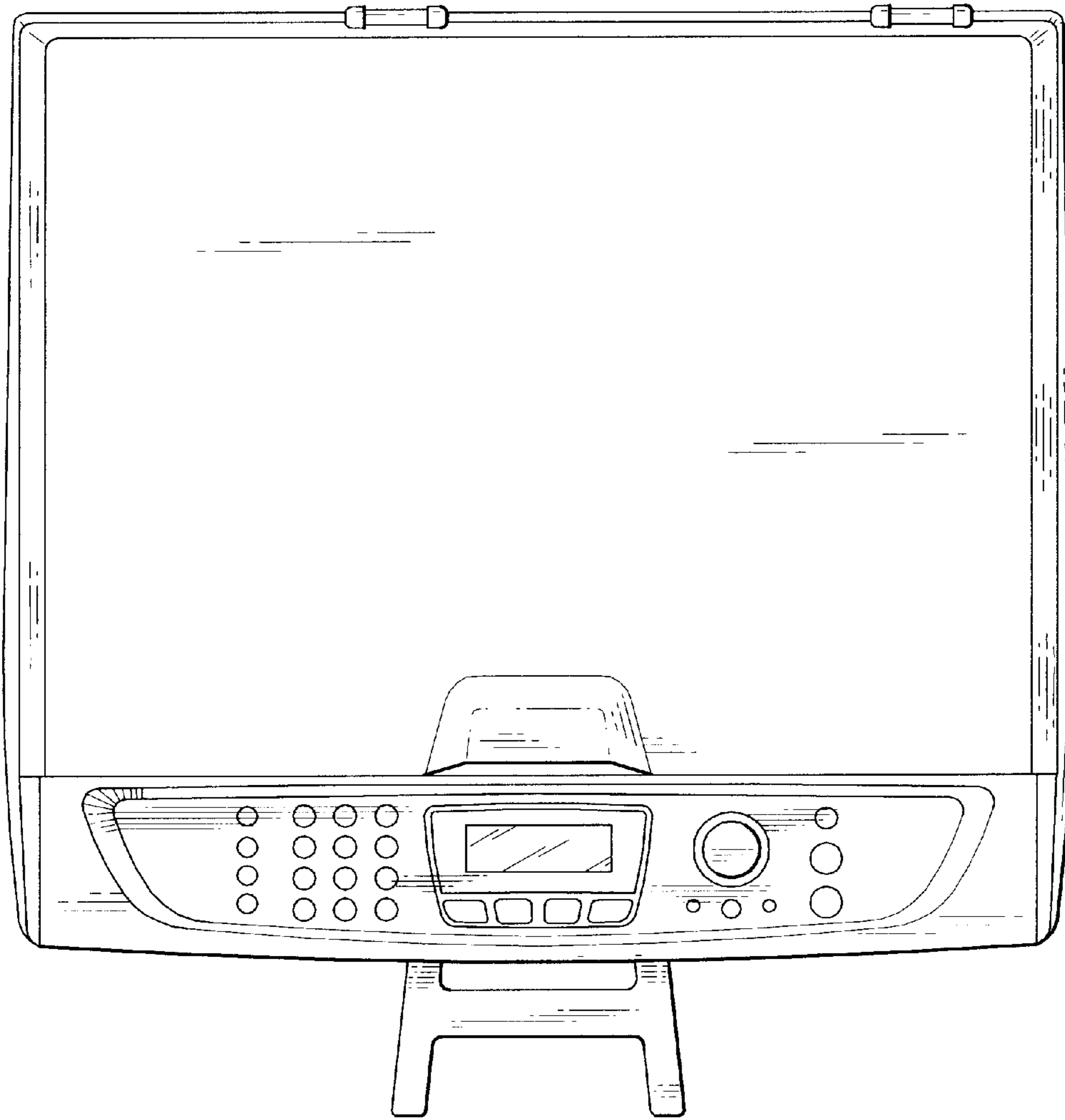


Fig. 9