



US00D536726S

(12) **United States Design Patent**
Ono

(10) **Patent No.:** **US D536,726 S**

(45) **Date of Patent:** **** *Feb. 13, 2007**

(54) **CASH REGISTER**

(75) Inventor: **Yasuhiro Ono**, Yokohama (JP)

(73) Assignee: **Toshiba Tec Kabushiki Kaisha**, Tokyo (JP)

(*) Notice: This patent is subject to a terminal disclaimer.

(**) Term: **14 Years**

(21) Appl. No.: **29/222,621**

(22) Filed: **Feb. 2, 2005**

(30) **Foreign Application Priority Data**

Dec. 21, 2004 (JP) 2004-039161

(51) **LOC (8) Cl.** **18-01**

(52) **U.S. Cl.** **D18/4.6; D18/4.5**

(58) **Field of Classification Search** D18/3.1-3.3,
D18/4.1-4.6, 6, 12, 12.1-12.3; D14/315,
D14/316, 336, 371-376; D21/324, 329-332;
D99/28, 43; 235/1 E, 6, 7 R, 33, 50 A, 50 B,
235/50 R, 51, 379, 386; 705/12, 15-18, 40,
705/43

See application file for complete search history.

(56) **References Cited**

U.S. PATENT DOCUMENTS

D351,402 S * 10/1994 Tamura et al. D18/4.5
D354,074 S * 1/1995 Ono et al. D18/4.5
D406,270 S * 3/1999 Postrel et al. D18/4.5
D417,692 S * 12/1999 Mizusugi et al. D18/12.3
6,003,008 A * 12/1999 Postrel et al. 705/16
D424,098 S * 5/2000 Kim D18/4.5
D424,602 S * 5/2000 Lin D18/4.3
D427,231 S * 6/2000 Ono D18/4.6

D428,863 S 8/2000 Rahemtulla et al. D14/100
D440,565 S * 4/2001 Ono et al. D14/375
D451,917 S * 12/2001 Rahemtulla et al. D14/337
D496,682 S * 9/2004 Ookushi et al. D18/4.4
2002/0103707 A1 * 8/2002 Takeuchi et al. 705/16
2005/0156024 A1 * 7/2005 Ichikawa et al. 235/379

FOREIGN PATENT DOCUMENTS

JP 1021249 9/1998
JP D1021249/1 2/2000

OTHER PUBLICATIONS

Website print out showing a POS terminal (Hermes HP370) of Datavan International Corporation.

* cited by examiner

Primary Examiner—Robert M. Spear

Assistant Examiner—Garth Rademaker

(74) *Attorney, Agent, or Firm*—Ohlandt, Greeley, Ruggiero & Perle, L.L.P.

(57) **CLAIM**

The ornamental design for a cash register, as shown and described.

DESCRIPTION

FIG. 1 is a perspective view of a cash register according to the present invention;

FIG. 2 is a front elevational view thereof, shown in an alternate position;

FIG. 3 is a rear elevational view thereof;

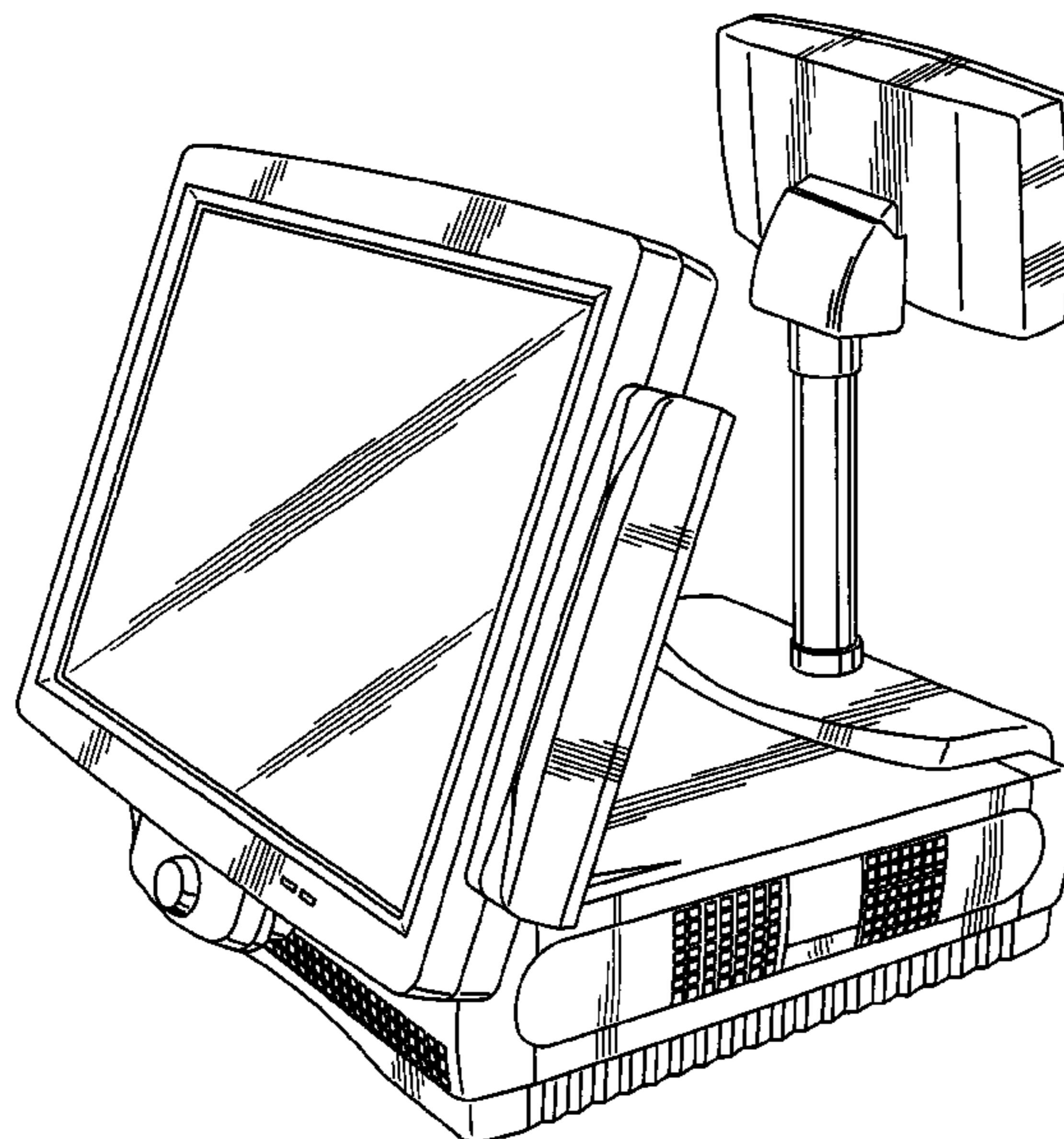
FIG. 4 is a top plan view thereof;

FIG. 5 is a bottom plan view thereof;

FIG. 6 is a right side elevational view thereof; and,

FIG. 7 is a left side elevational view thereof.

1 Claim, 7 Drawing Sheets



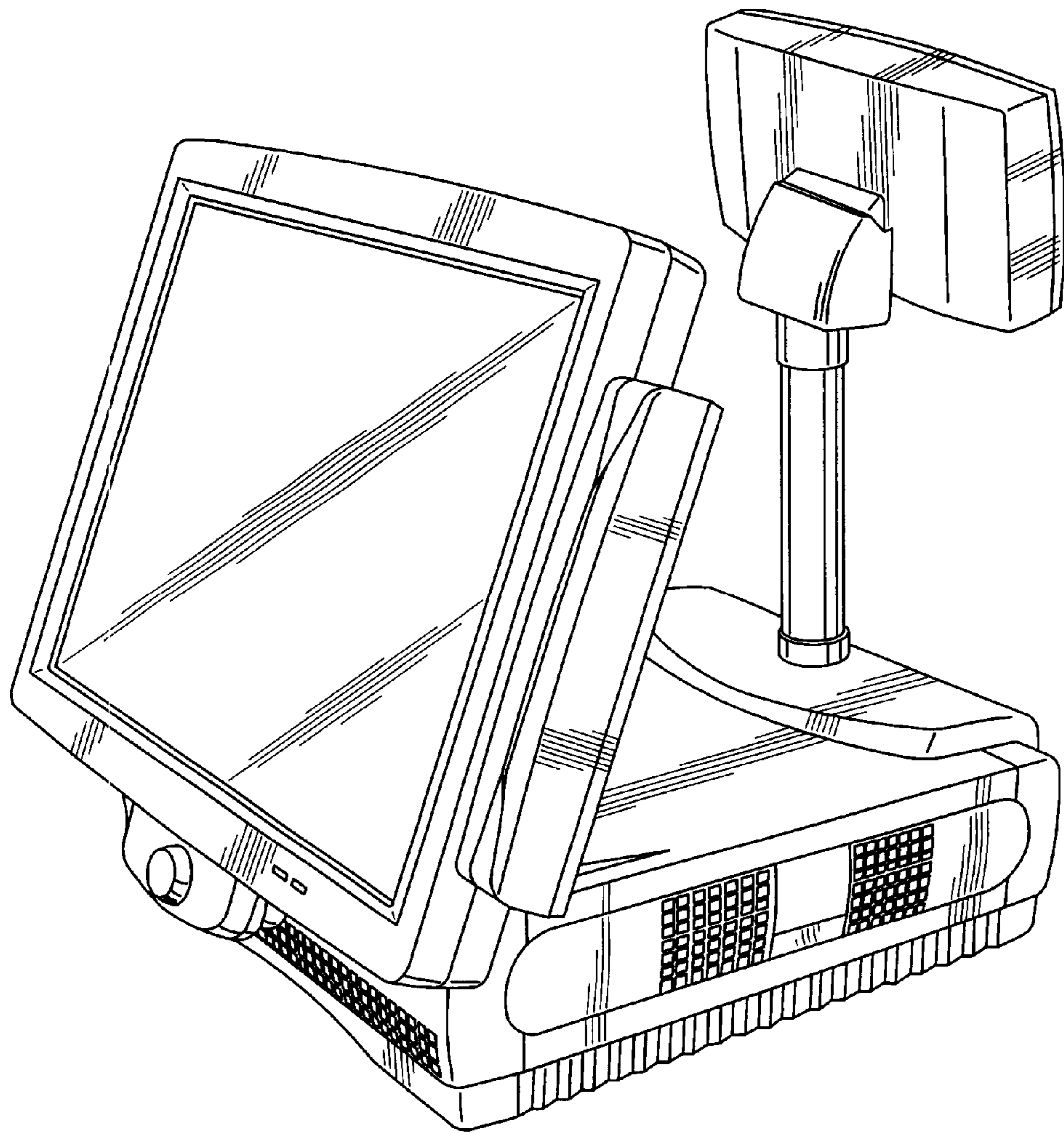


Fig. 1

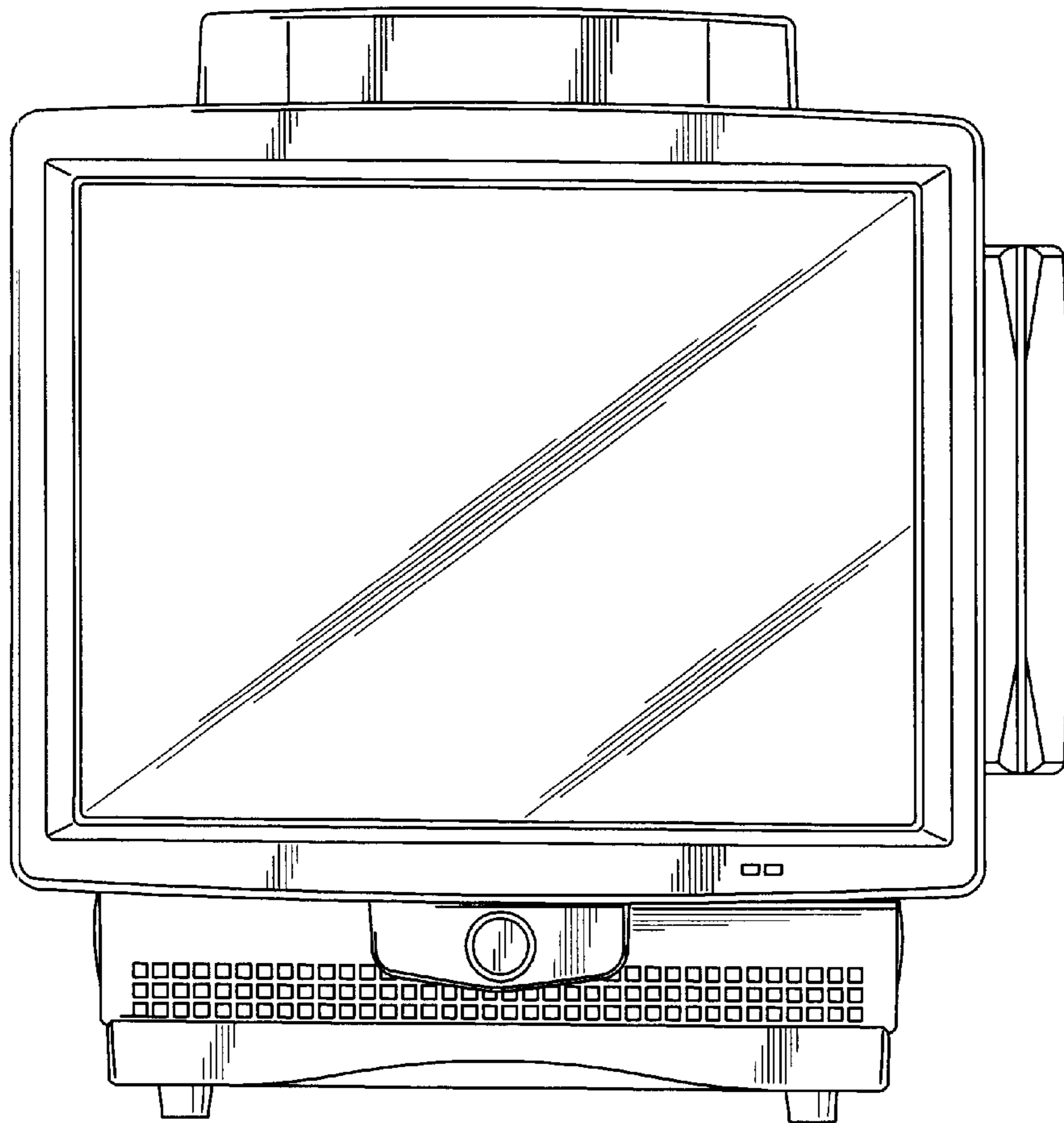


Fig. 2

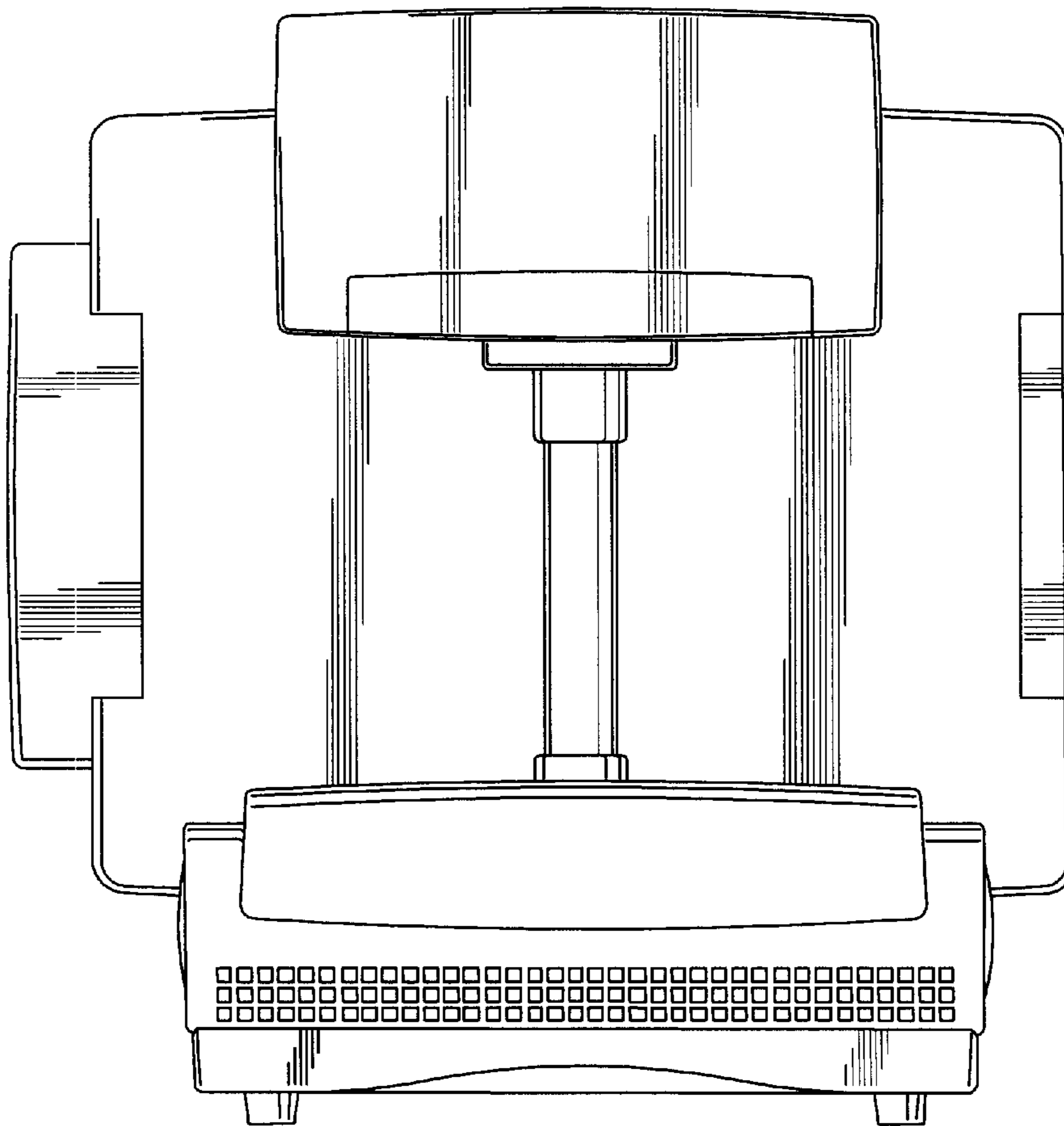


Fig. 3

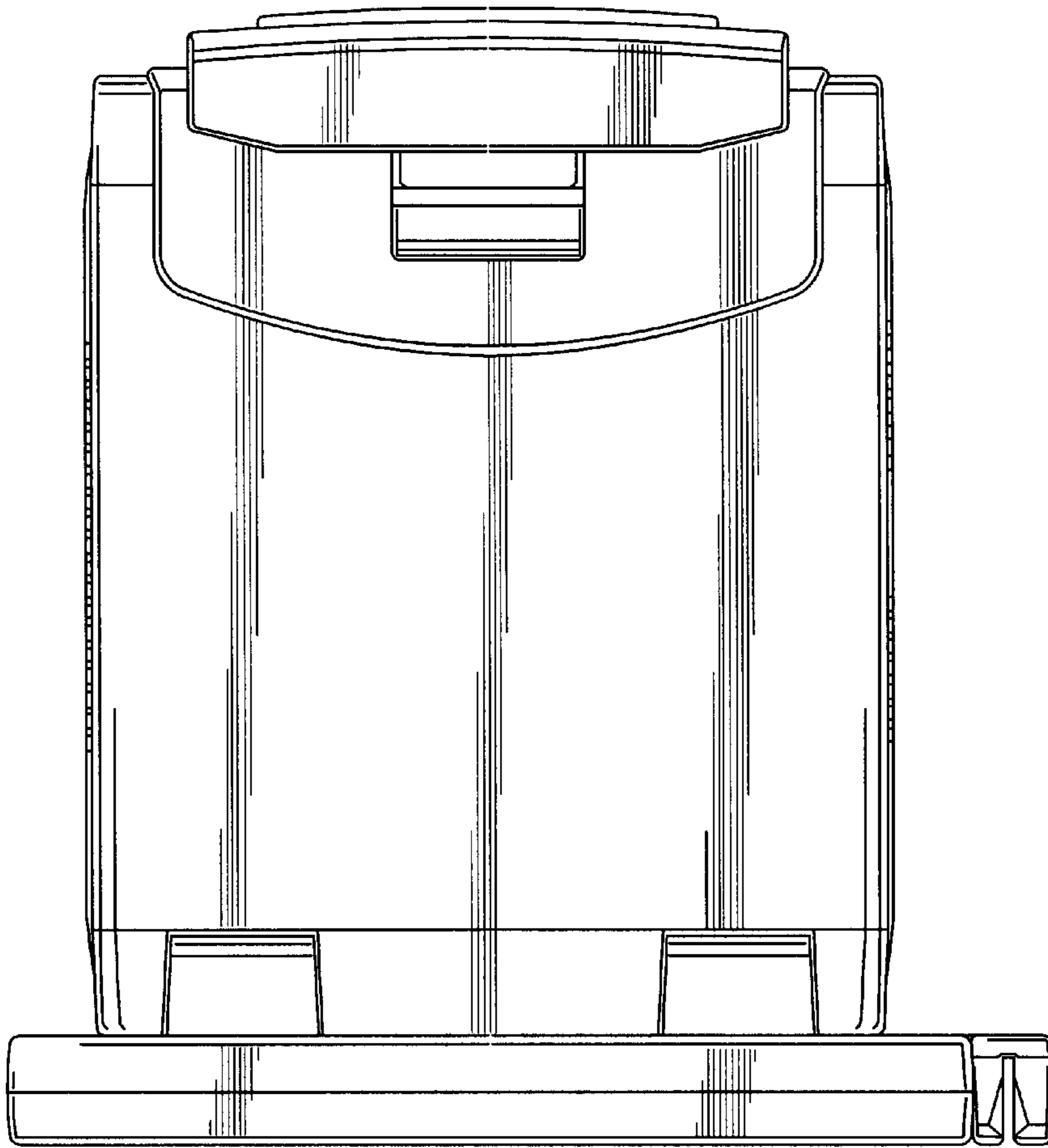


Fig. 4

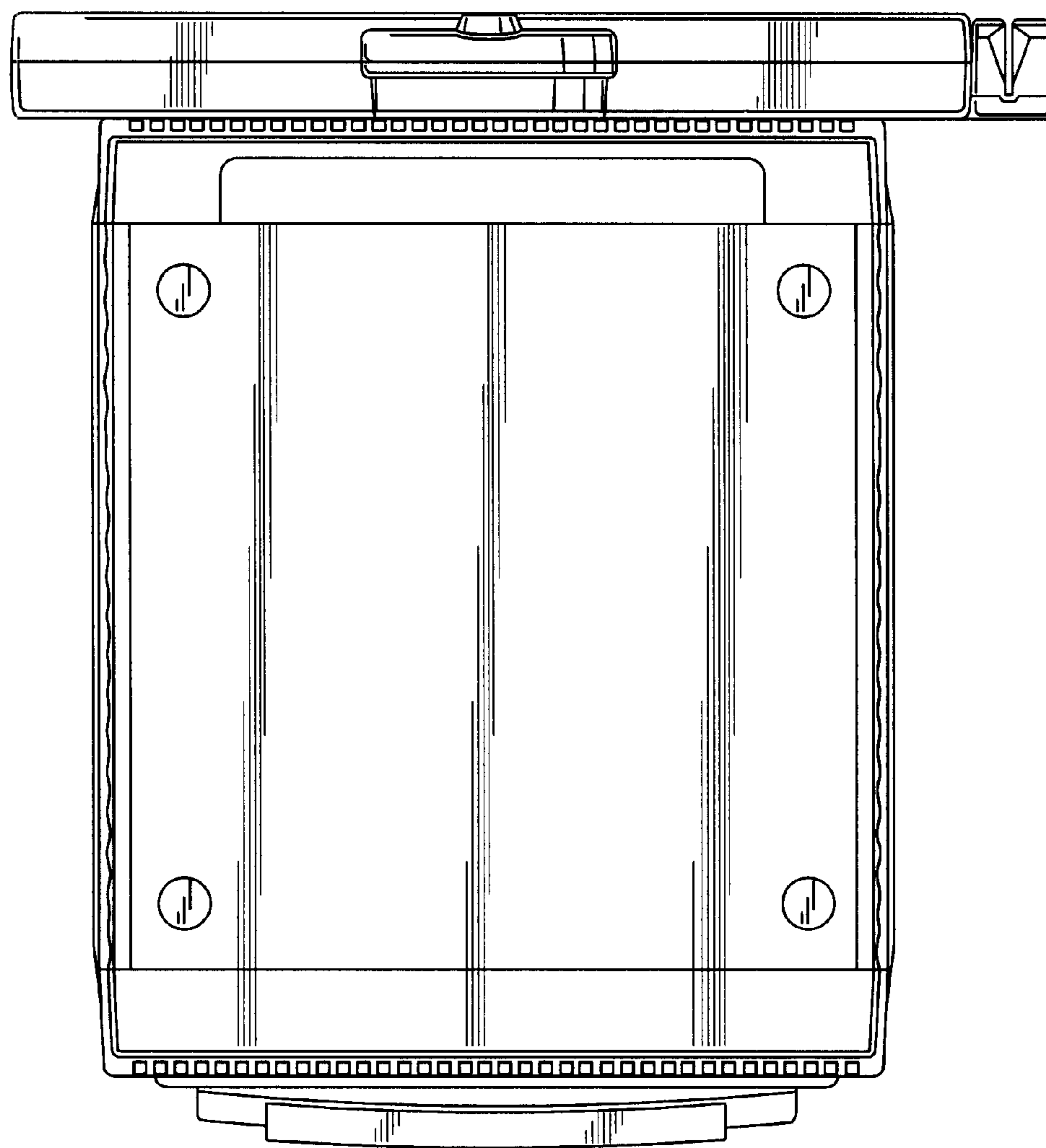


Fig. 5

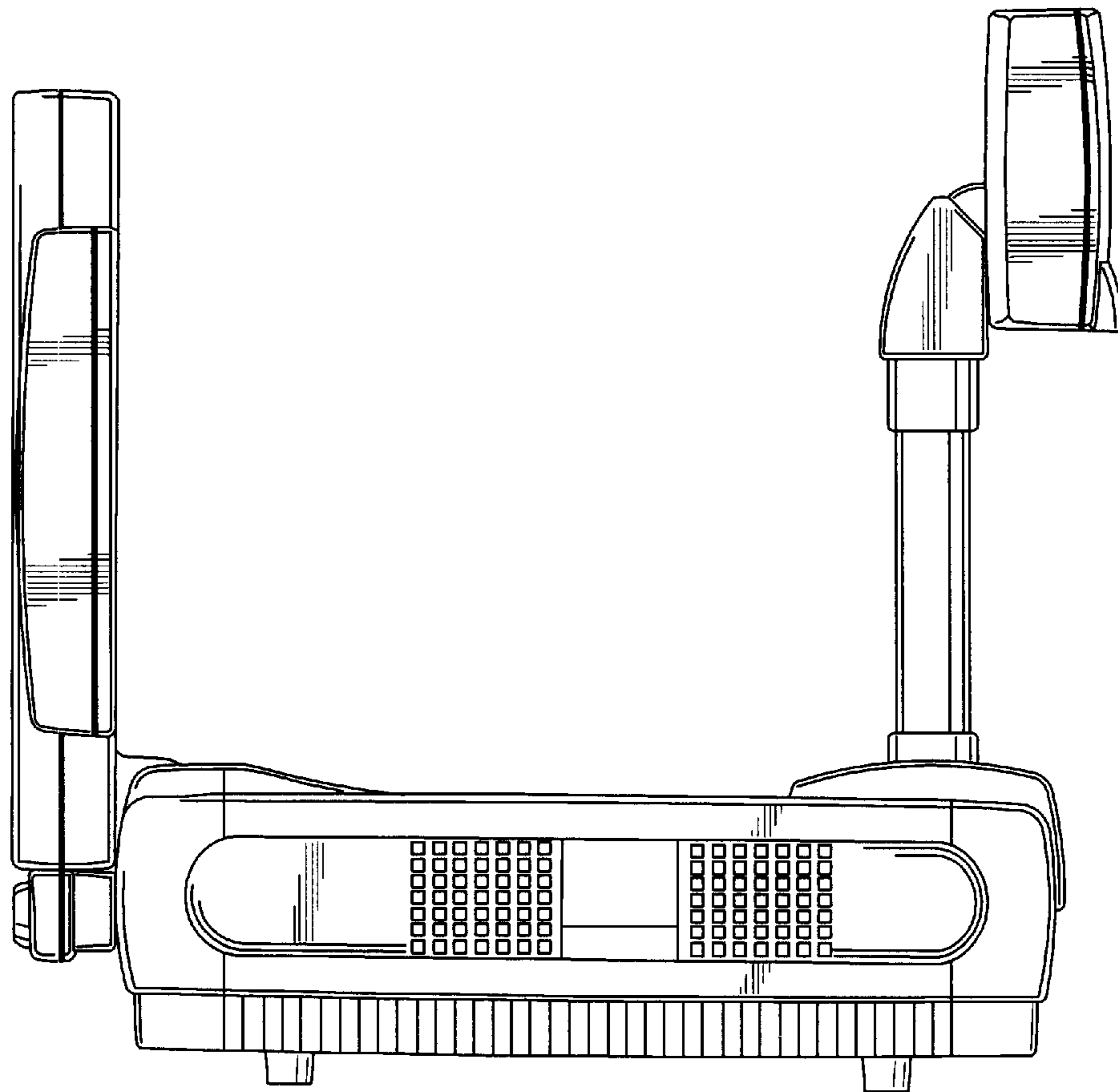


Fig. 6

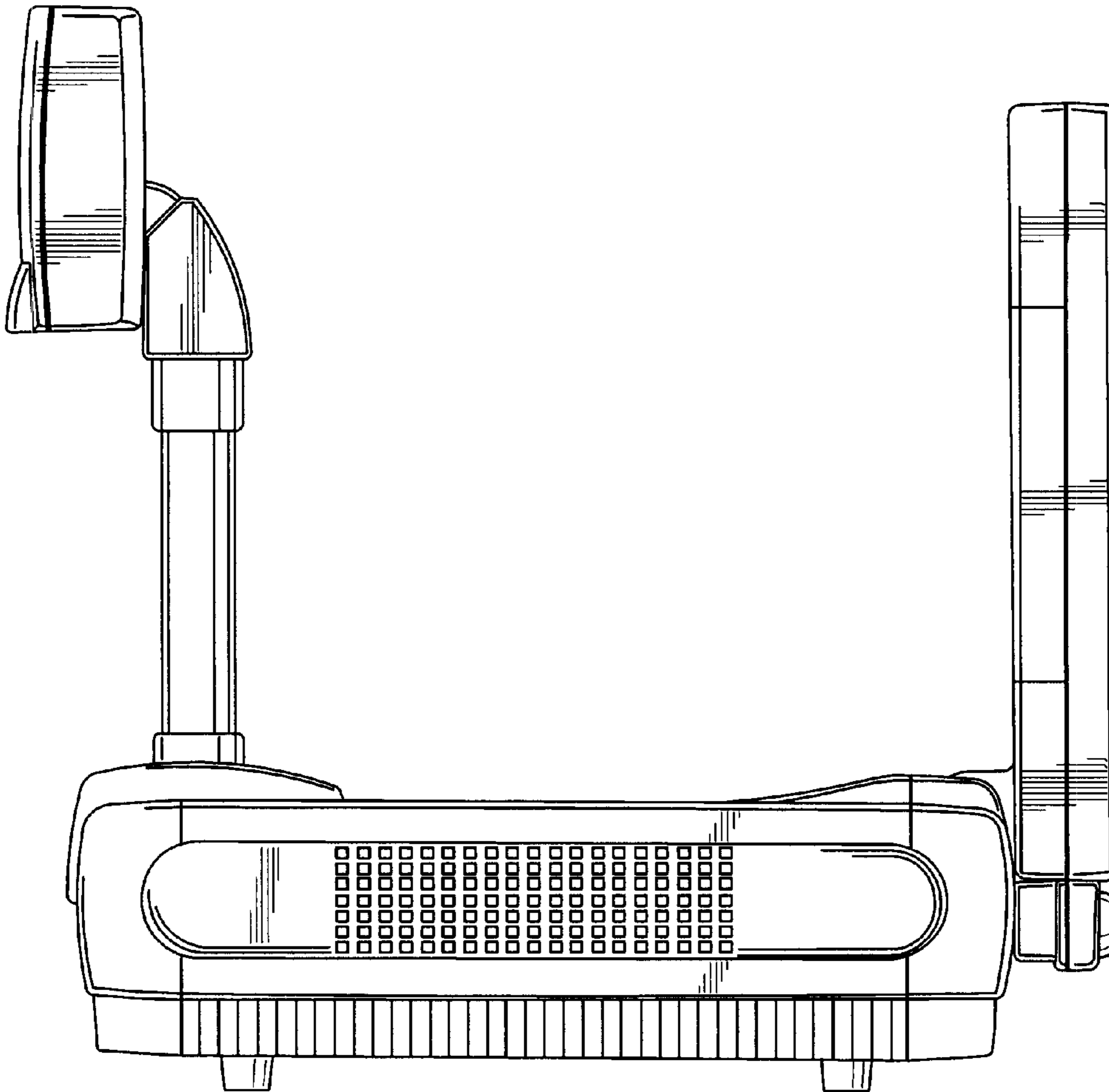


Fig. 7