

US00D536721S

(12) **United States Design Patent**
Miyashita

(10) **Patent No.:** **US D536,721 S**

(45) **Date of Patent:** **** Feb. 13, 2007**

(54) **CAMERA**

D518,499 S * 4/2006 Iue D16/219
D524,836 S * 7/2006 Morita D16/202

(75) Inventor: **Shin Miyashita**, Tokyo (JP)

FOREIGN PATENT DOCUMENTS

(73) Assignee: **Sony Corporation**, Tokyo (JP)

JP D1162508 S 1/2003

(**) Term: **14 Years**

* cited by examiner

(21) Appl. No.: **29/233,021**

Primary Examiner—Adir Aronovich
(74) *Attorney, Agent, or Firm*—Rader, Fishman & Grauer
PLLC

(22) Filed: **Jun. 28, 2005**

(30) **Foreign Application Priority Data**

(57) **CLAIM**

Dec. 28, 2004 (JP) D2004-040455

The ornamental design for a camera, as shown and described.

(51) **LOC (8) Cl.** **16-05**

(52) **U.S. Cl.** **D16/219; D16/202**

(58) **Field of Classification Search** D16/200–205,
D16/208, 212, 218, 219; 348/373–376; 358/909.1;
396/535–541

See application file for complete search history.

DESCRIPTION

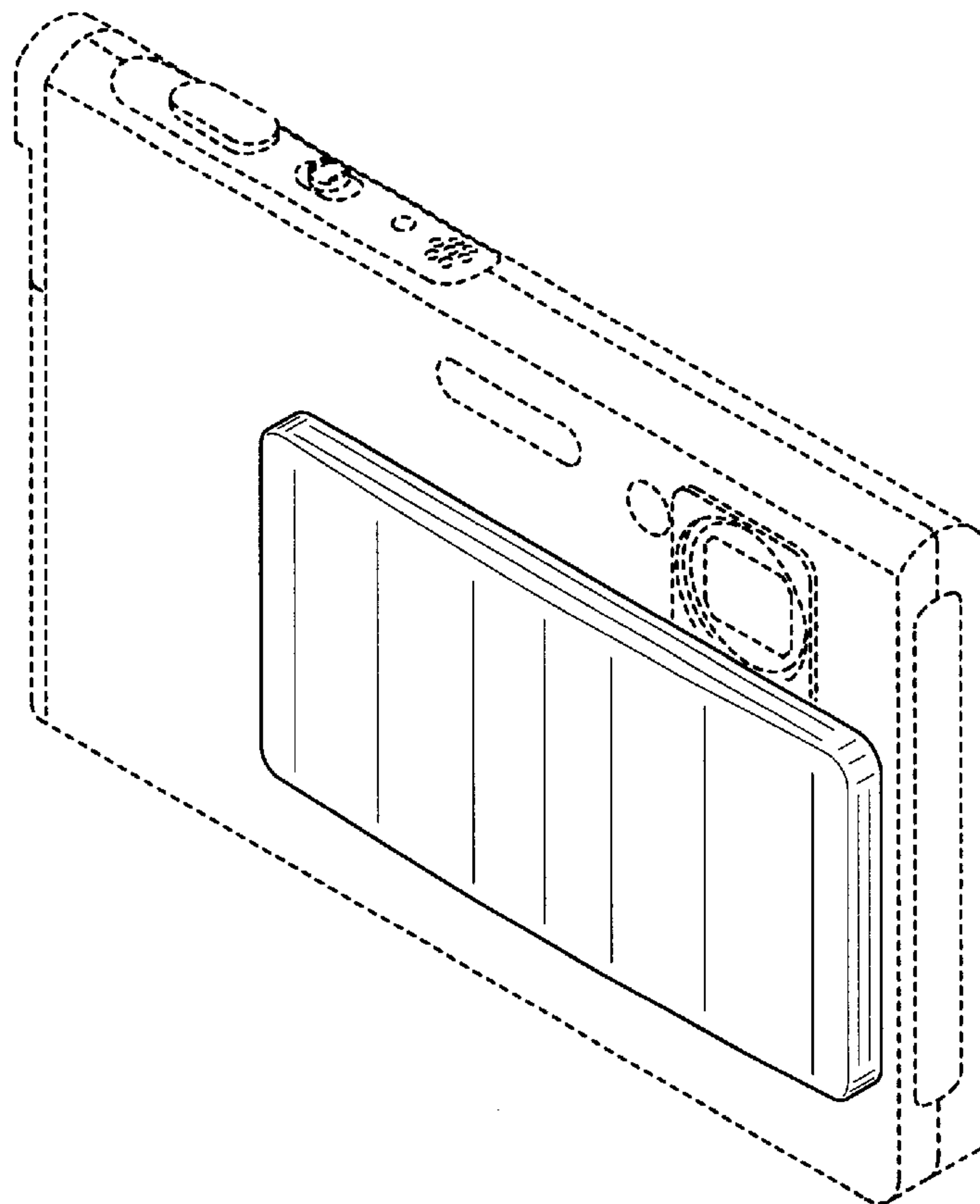
FIG. 1 is a perspective view of a camera showing my new design;
FIG. 2 is a front elevational view thereof;
FIG. 3 is a left side elevational view thereof;
FIG. 4 is a right side elevational view thereof;
FIG. 5 is a top plan view thereof; and,
FIG. 6 is a bottom plan view thereof.
Portions of FIGS. 1–6 that are shown as broken lines are for illustrative purpose only and form no part of the claimed design.

(56) **References Cited**

U.S. PATENT DOCUMENTS

D477,832 S * 7/2003 Suzuki D16/218
D494,203 S * 8/2004 Yoo D16/202
D494,205 S 8/2004 Kawase
D496,678 S 9/2004 Kawase
D508,065 S * 8/2005 Dow et al. D16/212

1 Claim, 6 Drawing Sheets



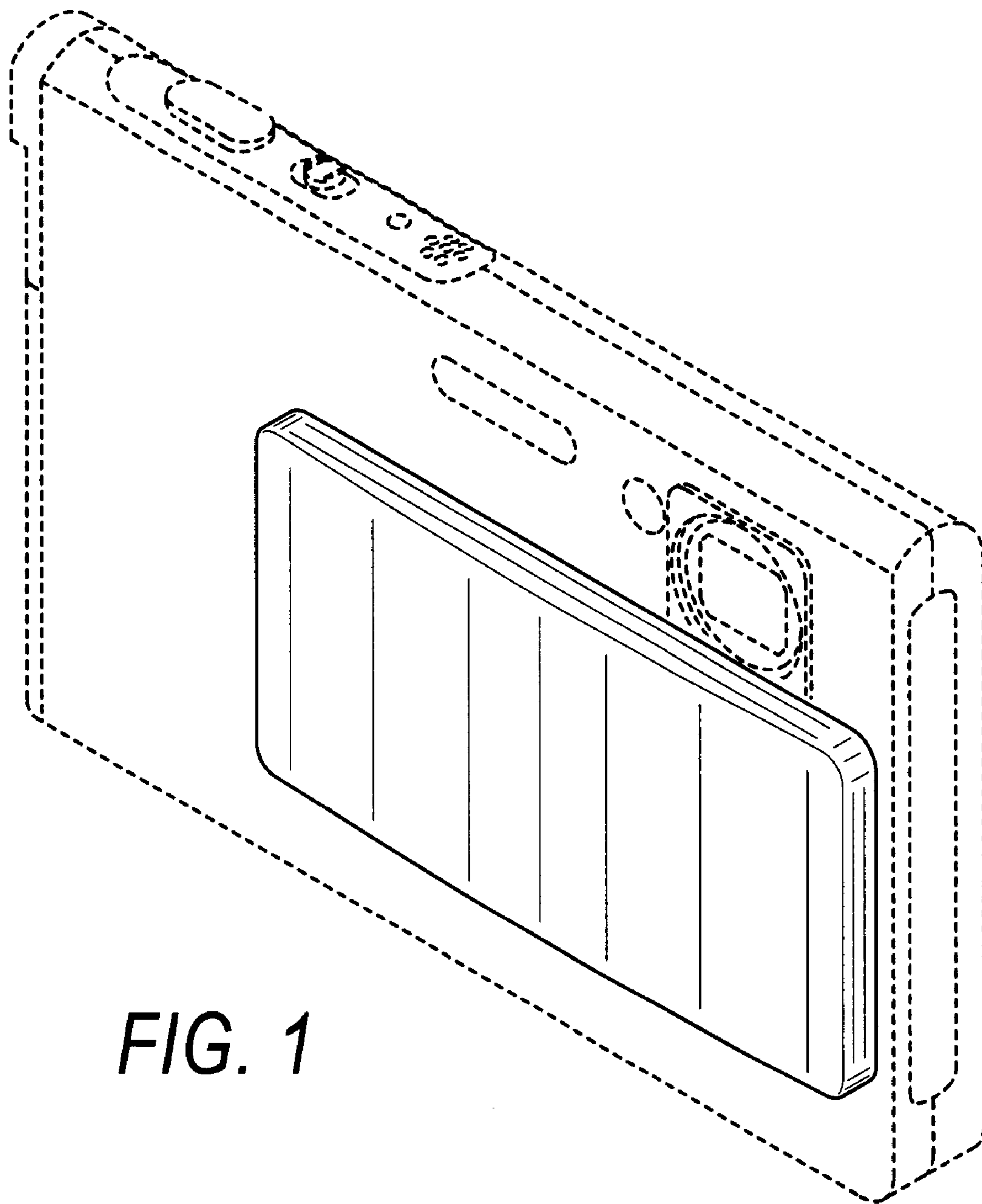


FIG. 1

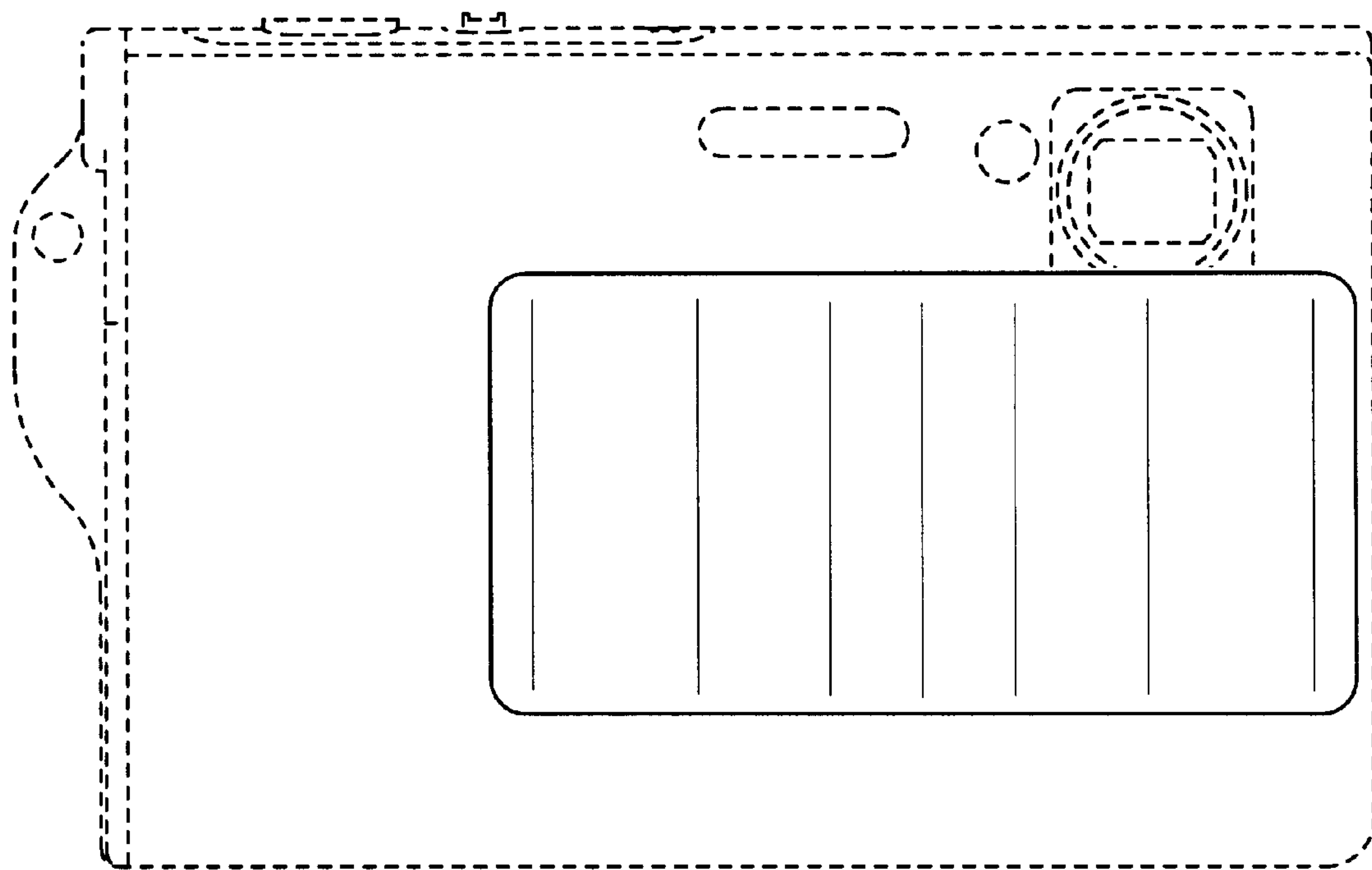


FIG. 2

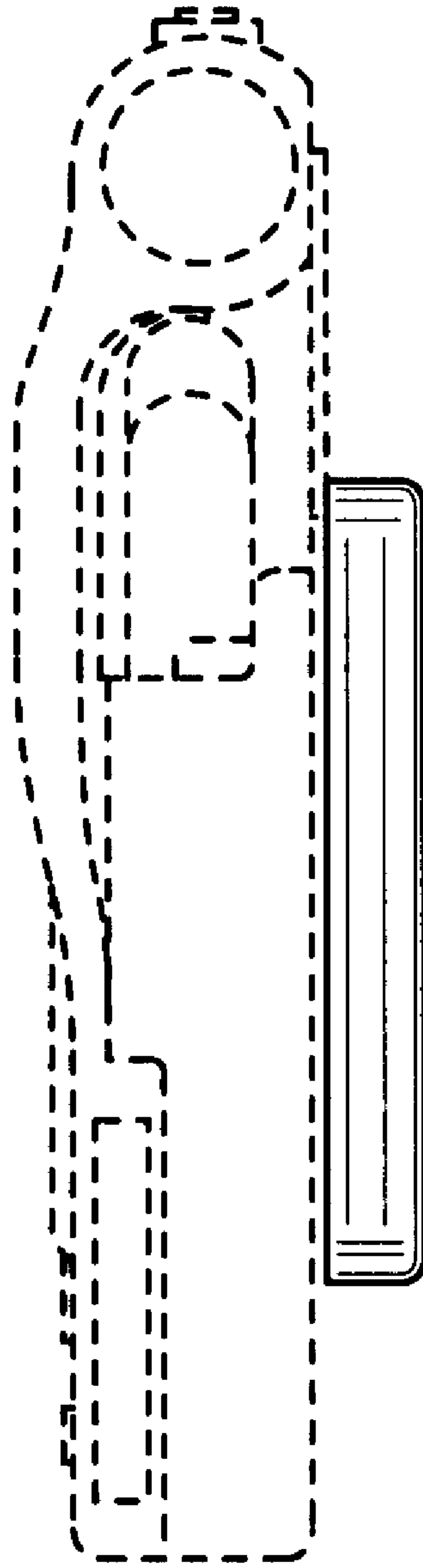


FIG. 3

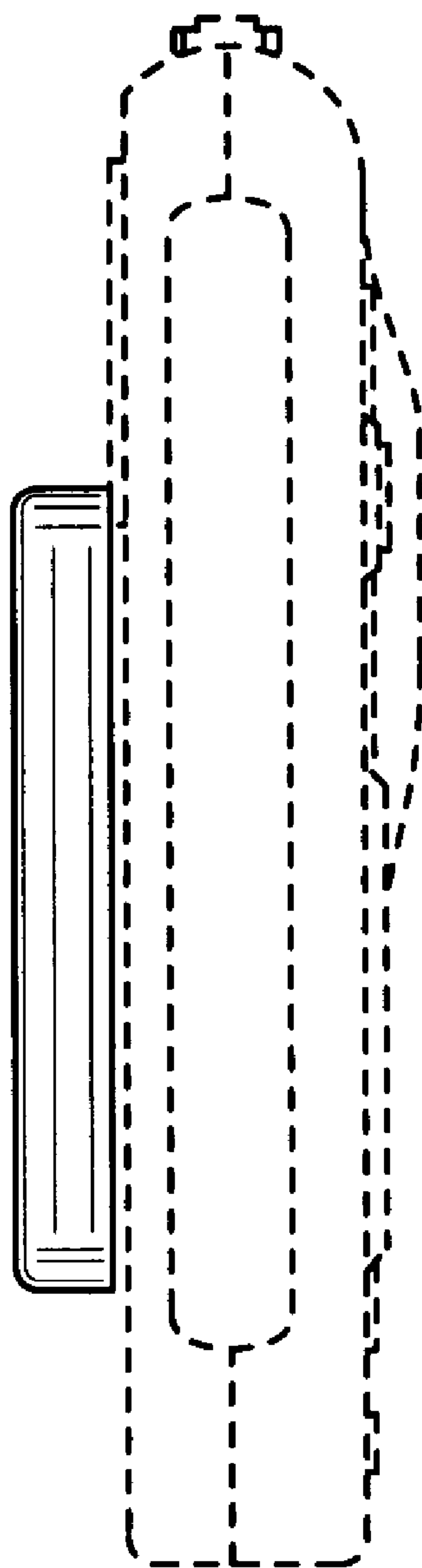


FIG. 4

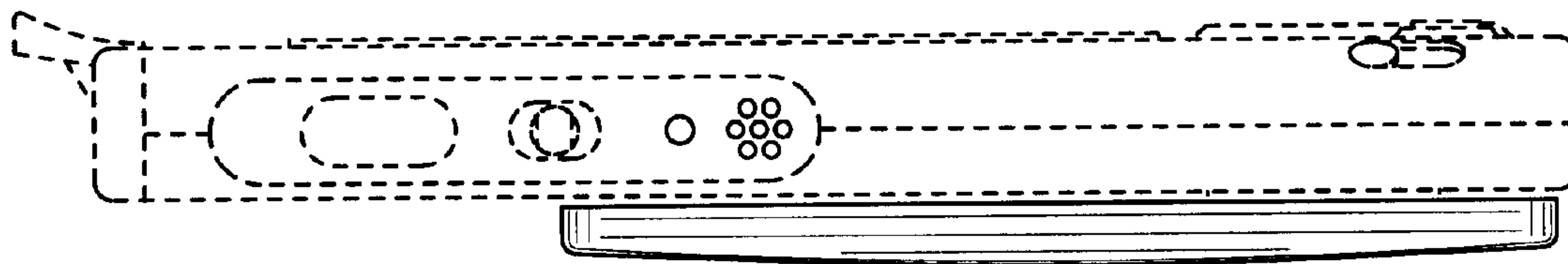


FIG. 5

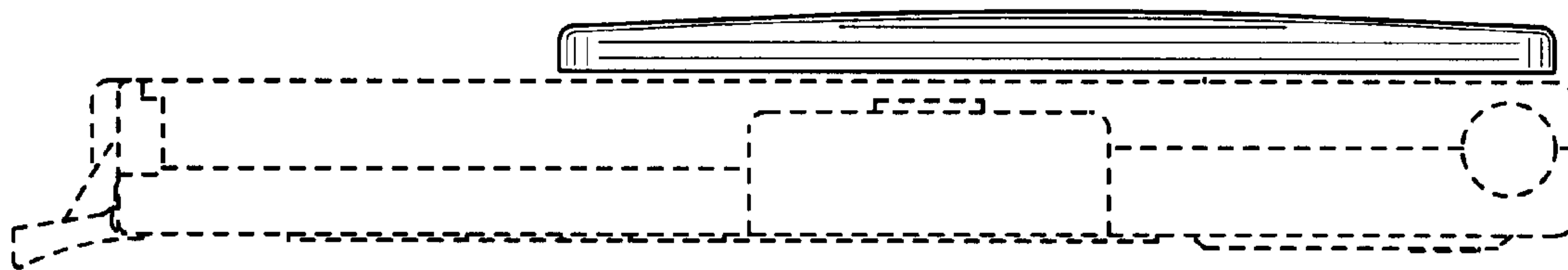


FIG. 6