



US00D536720S

(12) **United States Design Patent**
Miyashita

(10) **Patent No.:** **US D536,720 S**
(45) **Date of Patent:** **** Feb. 13, 2007**

(54) **CAMERA**
(75) Inventor: **Shin Miyashita**, Tokyo (JP)
(73) Assignee: **Sony Corporation**, Tokyo (JP)
(**) Term: **14 Years**

(21) Appl. No.: **29/233,025**
(22) Filed: **Jun. 28, 2005**

(30) **Foreign Application Priority Data**

Dec. 28, 2004 (JP) D2004-040454

(51) **LOC (8) Cl.** **16-01**

(52) **U.S. Cl.** **D16/218; D16/202**

(58) **Field of Classification Search** D16/200–205,
D16/208, 212, 218, 219; 348/373–376; 358/909.1;
396/535–541

See application file for complete search history.

(56) **References Cited**

U.S. PATENT DOCUMENTS

6,434,337 B1 * 8/2002 Misawa 358/909.1
D494,203 S * 8/2004 Yoo D16/202
D494,205 S 8/2004 Kawase
D496,678 S 9/2004 Kawase
D508,711 S * 8/2005 Suzuki D16/218
D512,450 S * 12/2005 Jinde D16/202
D519,539 S * 4/2006 Takagi D16/202

D521,043 S * 5/2006 Takagi D16/202

FOREIGN PATENT DOCUMENTS

JP D1162508 S 1/2003

OTHER PUBLICATIONS

Web page “DSC-T1” <http://www.ecat.sony.co.jp/camera/dsc/products/index.cfm?PD=15560&KM=DSC-T1>, 1 sheet, Sony (May 2004).

* cited by examiner

Primary Examiner—Adir Aronovich

(74) *Attorney, Agent, or Firm*—Rader, Fishman & Grauer PLLC

(57) **CLAIM**

The ornamental design for a camera, as shown.

DESCRIPTION

FIG. 1 is a perspective view of a camera showing my new design;

FIG. 2 is a front elevational view thereof;

FIG. 3 is a rear elevational view thereof;

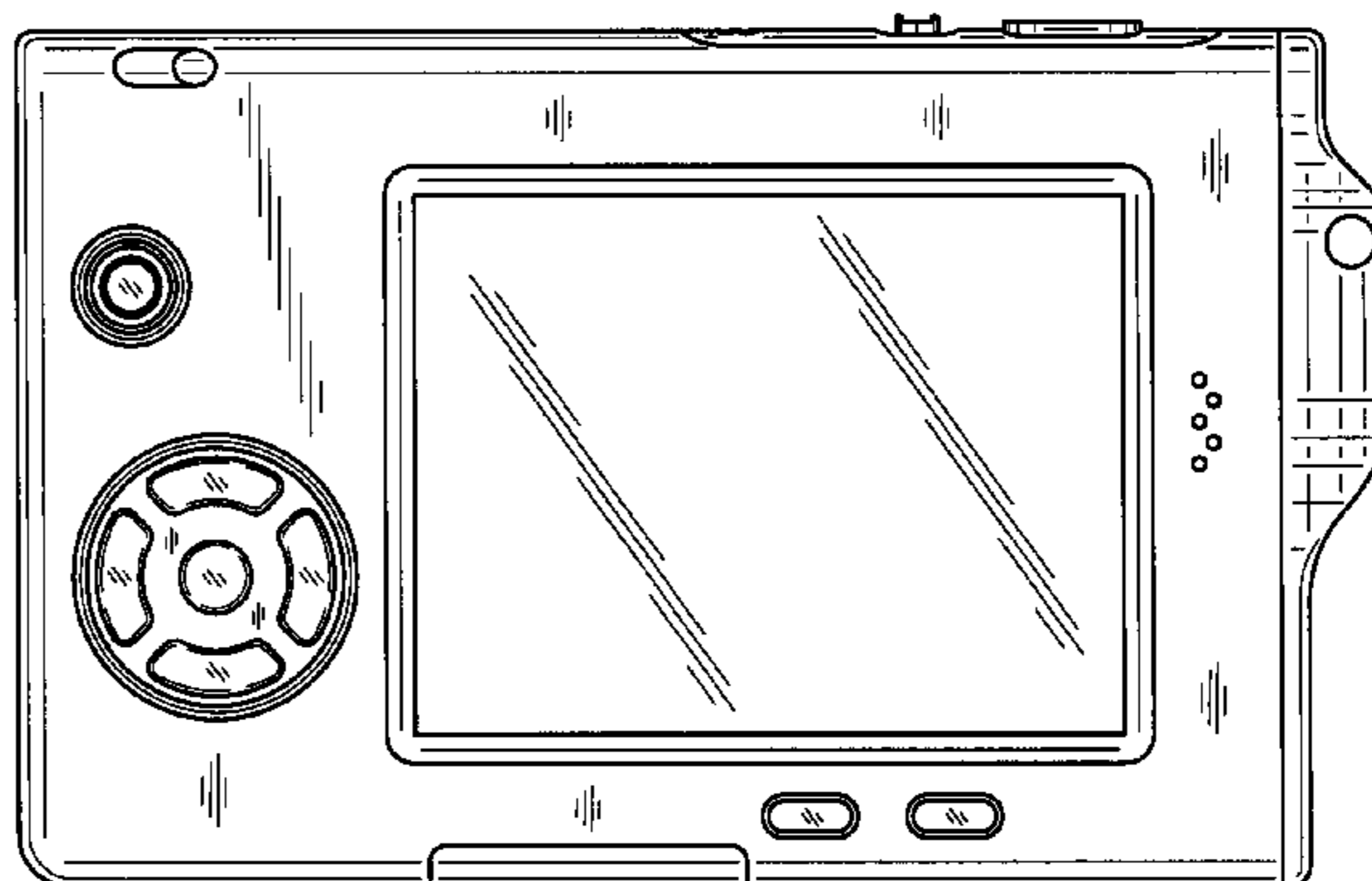
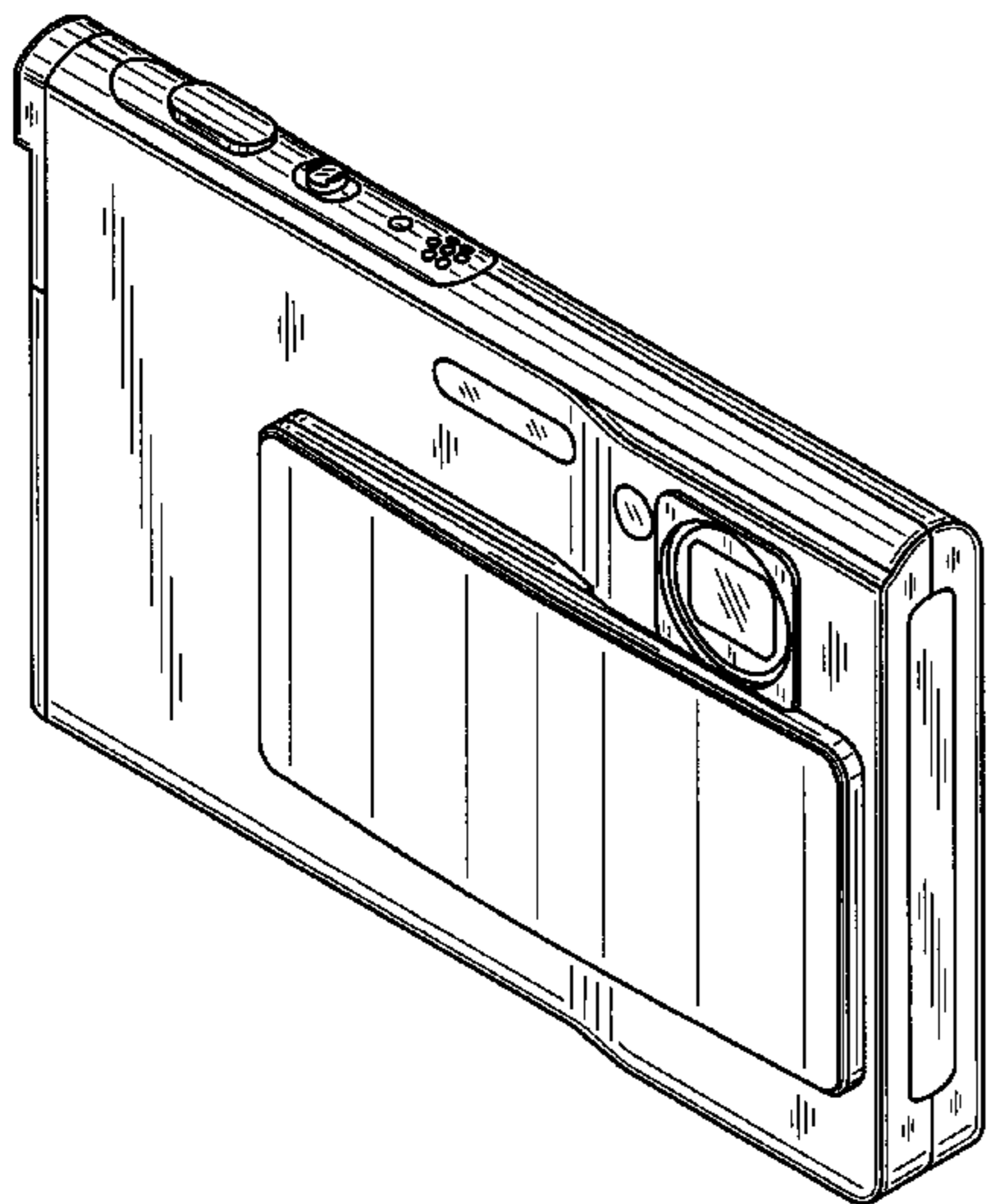
FIG. 4 is a left side elevational view thereof;

FIG. 5 is a right side elevational view thereof;

FIG. 6 is a top plan view thereof; and,

FIG. 7 is a bottom plan view thereof.

1 Claim, 7 Drawing Sheets



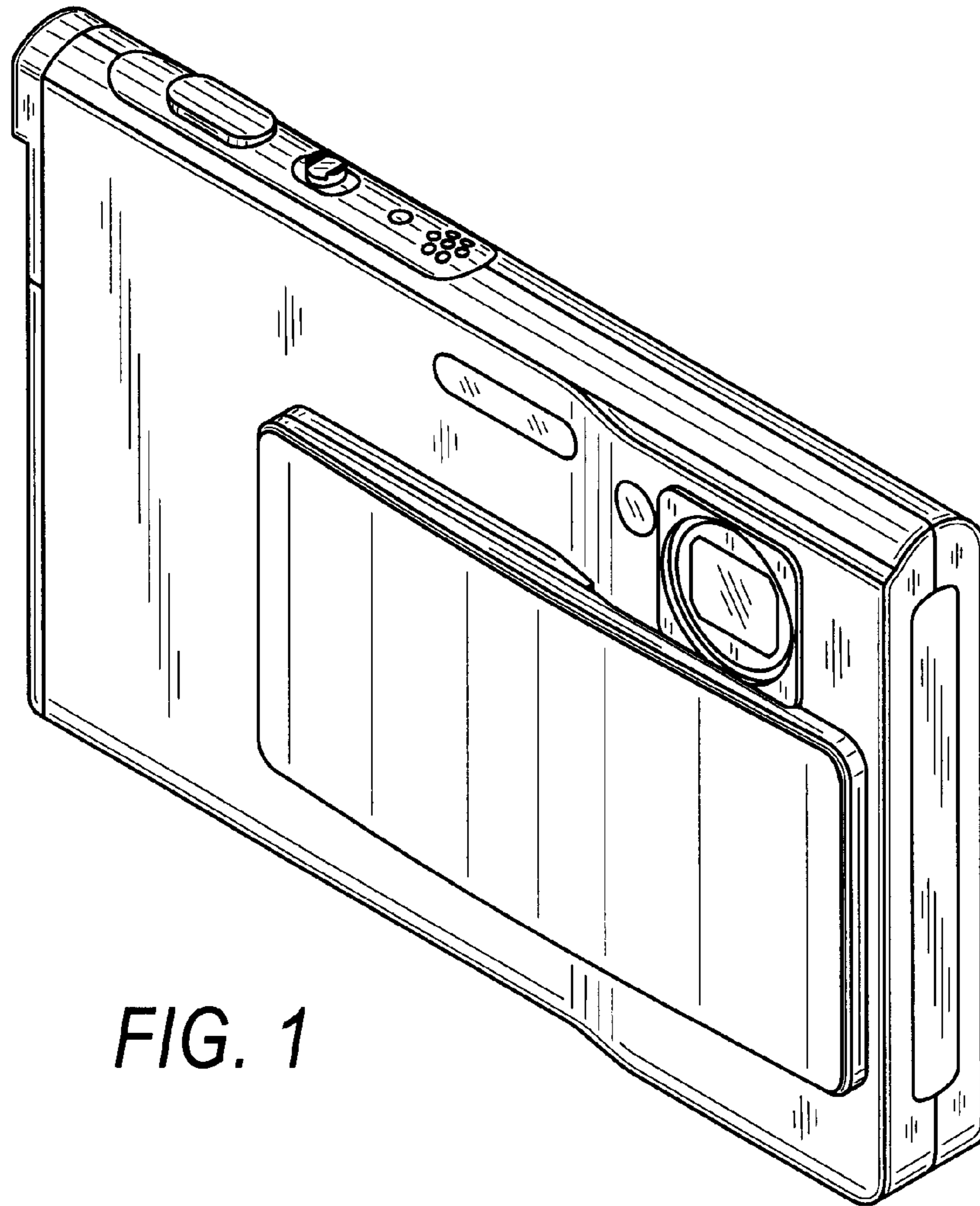


FIG. 1

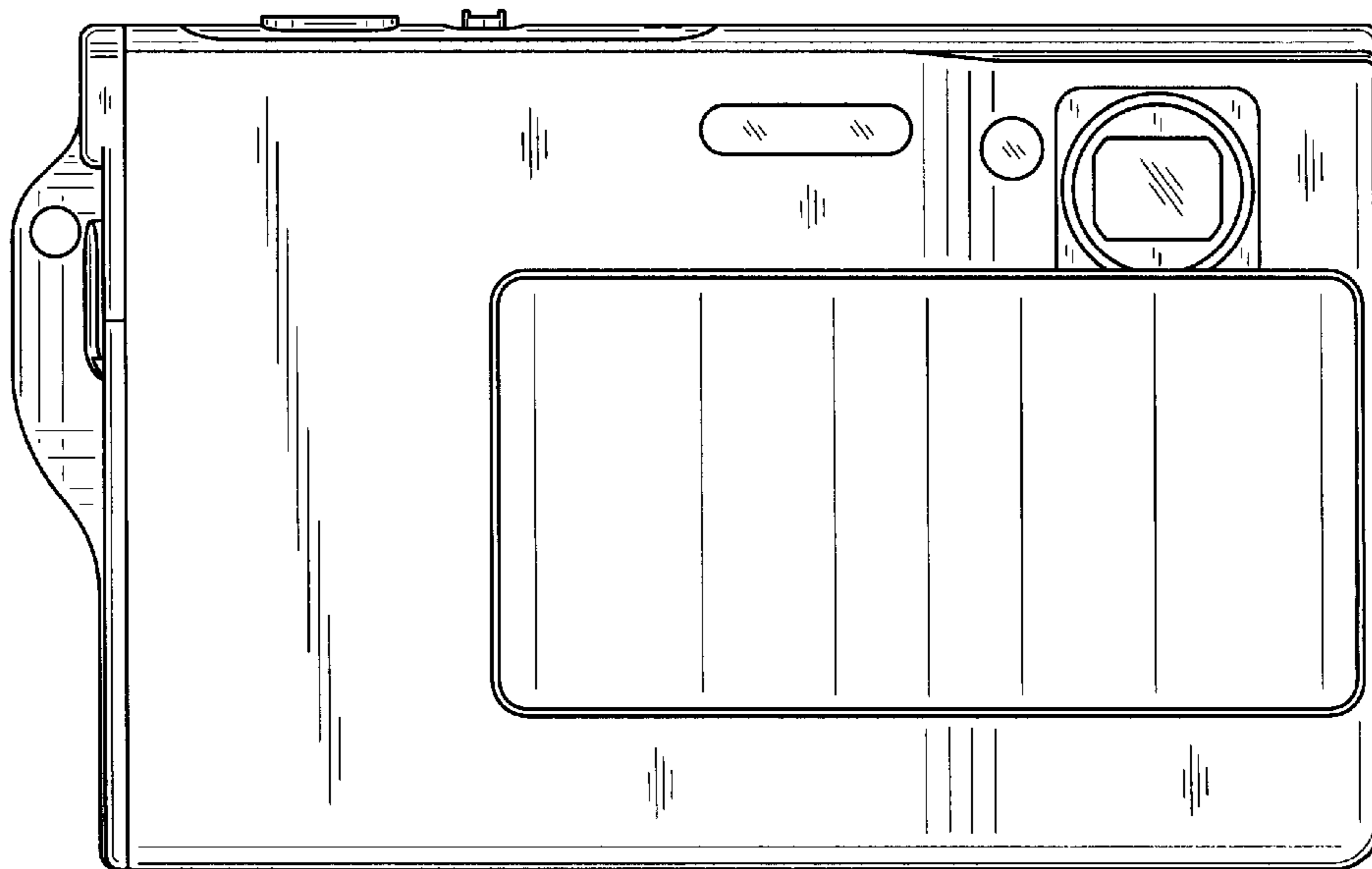


FIG. 2

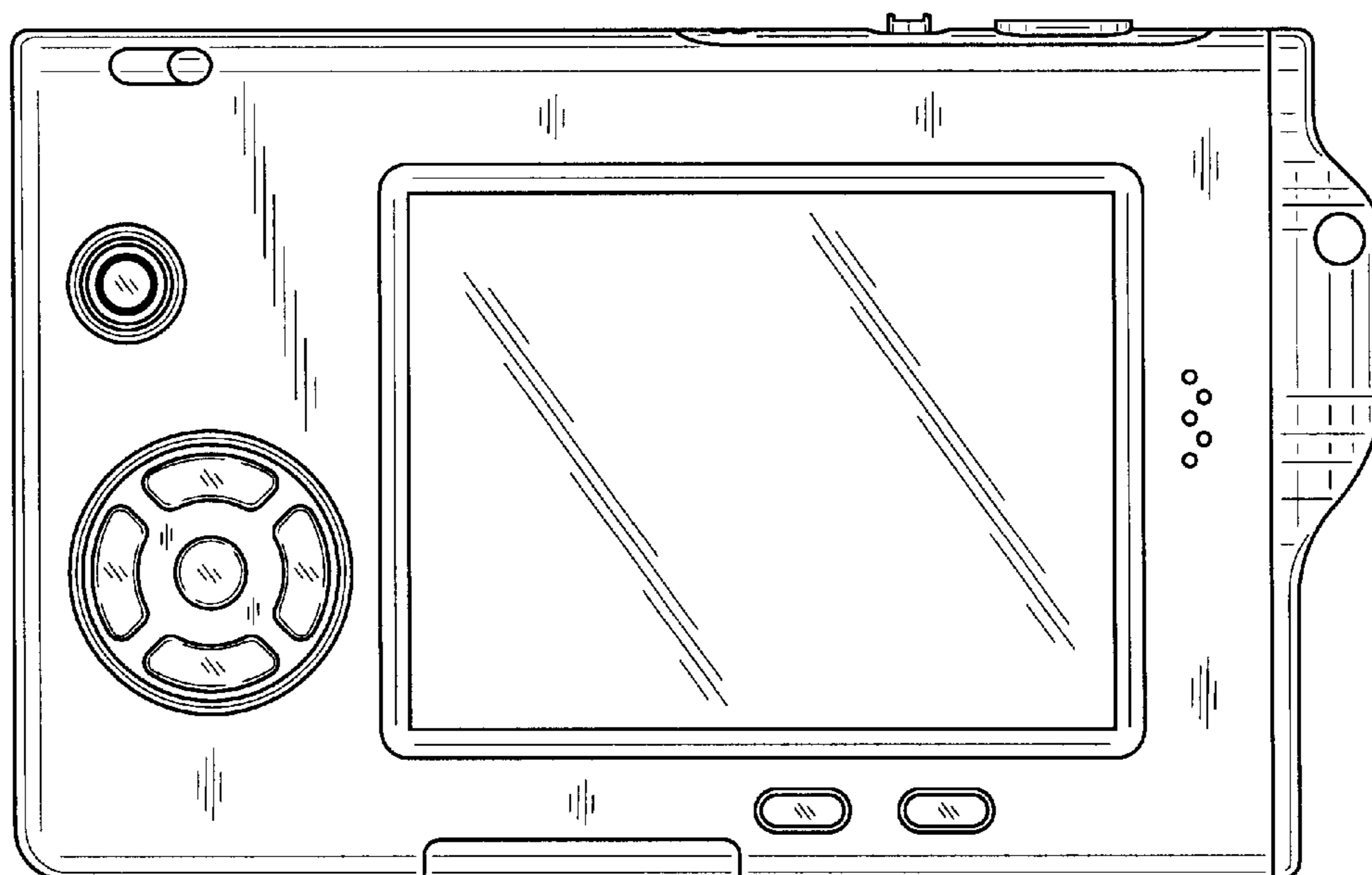


FIG. 3

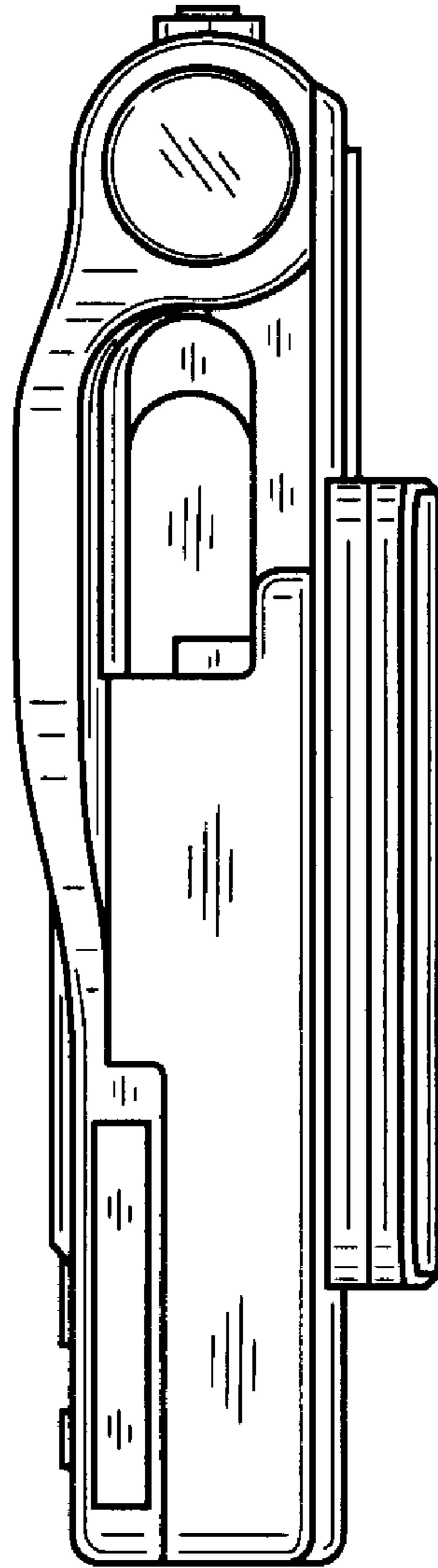


FIG. 4

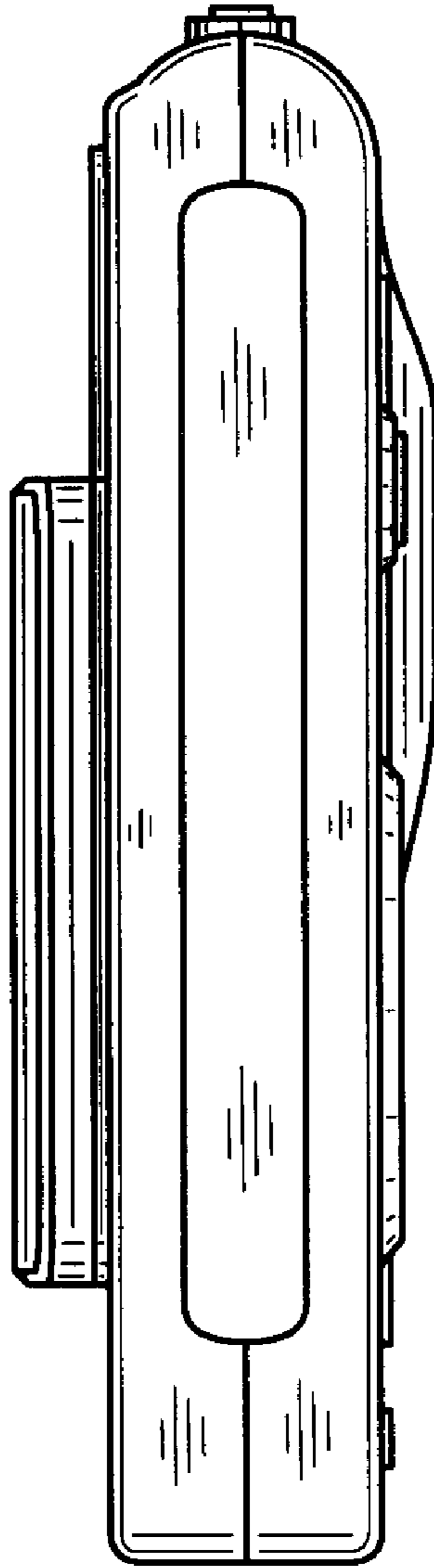


FIG. 5

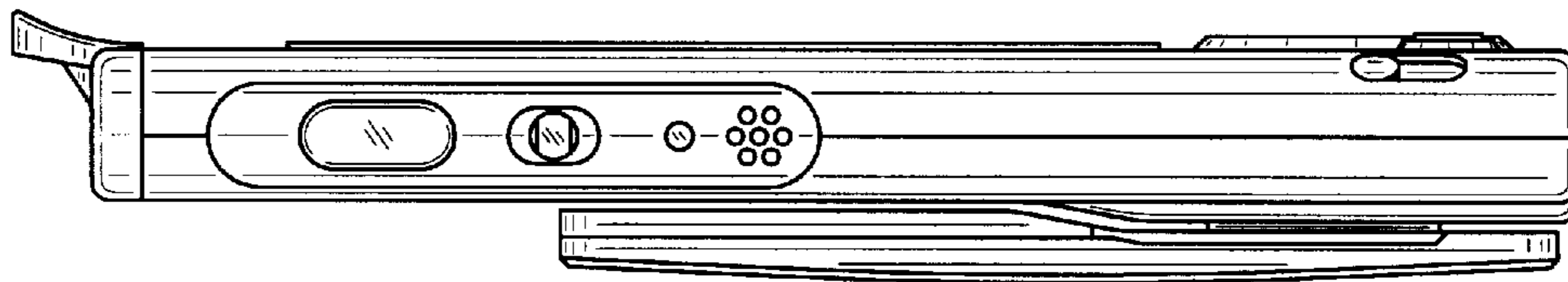


FIG. 6

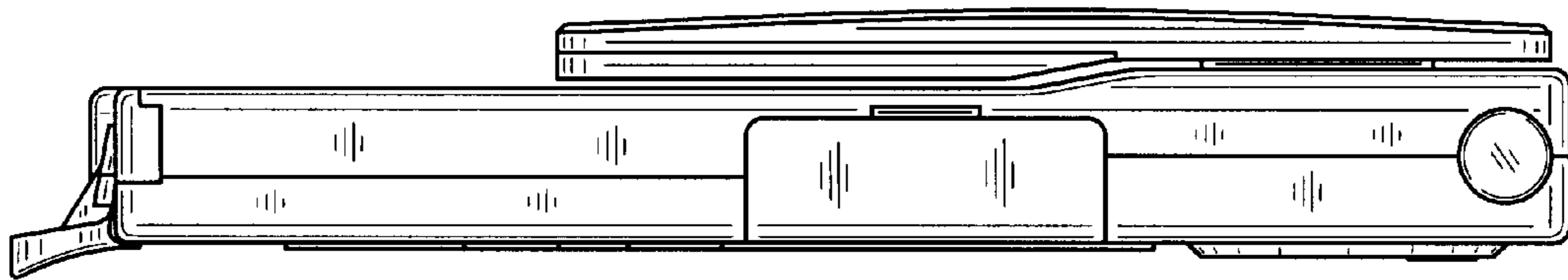


FIG. 7