



US00D536719S

(12) **United States Design Patent**
Lukic et al.

(10) **Patent No.:** **US D536,719 S**

(45) **Date of Patent:** **** Feb. 13, 2007**

(54) **CAMERA**

(75) Inventors: **Branko Lukic**, Menlo Park, CA (US);
John Wallace Smith, San Francisco,
CA (US); **Hans C. Haenlein**, San Jose,
CA (US); **Jonathan I. Kaplan**, Palo
Alto, CA (US)

(73) Assignee: **LifeSize Communications, Inc.**,
Austin, TX (US)

(**) Term: **14 Years**

(21) Appl. No.: **29/229,087**

(22) Filed: **May 3, 2005**

(51) **LOC (8) Cl.** **16-01**

(52) **U.S. Cl.** **D16/202**

(58) **Field of Classification Search** D16/200–206,
D16/208, 218, 242; 348/14.01–14.1, 373–376;
358/906; 396/419, 428, 535–541

See application file for complete search history.

(56) **References Cited**

U.S. PATENT DOCUMENTS

5,900,907 A * 5/1999 Malloy et al. 348/14.1

6,437,826 B1 * 8/2002 Arnold 348/373

D476,345 S * 6/2003 Phelps et al. D16/202

D487,475 S * 3/2004 Uehara D16/202

D500,511 S * 1/2005 Sybilrud D16/203

D509,842 S * 9/2005 Ou D16/202

D510,589 S * 10/2005 Andre et al. D16/202

* cited by examiner

Primary Examiner—Adir Aronovich

(74) *Attorney, Agent, or Firm*—Meyertons Hood Kivlin
Kowert & Goetzl, P.C.; Jeffrey C. Hood; Russell E.
Henrichs

(57) **CLAIM**

The ornamental design for a camera, as shown and
described.

DESCRIPTION

FIG. 1 is a front-right-top perspective view thereof;

FIG. 2 is a top view thereof;

FIG. 3 is a front view thereof;

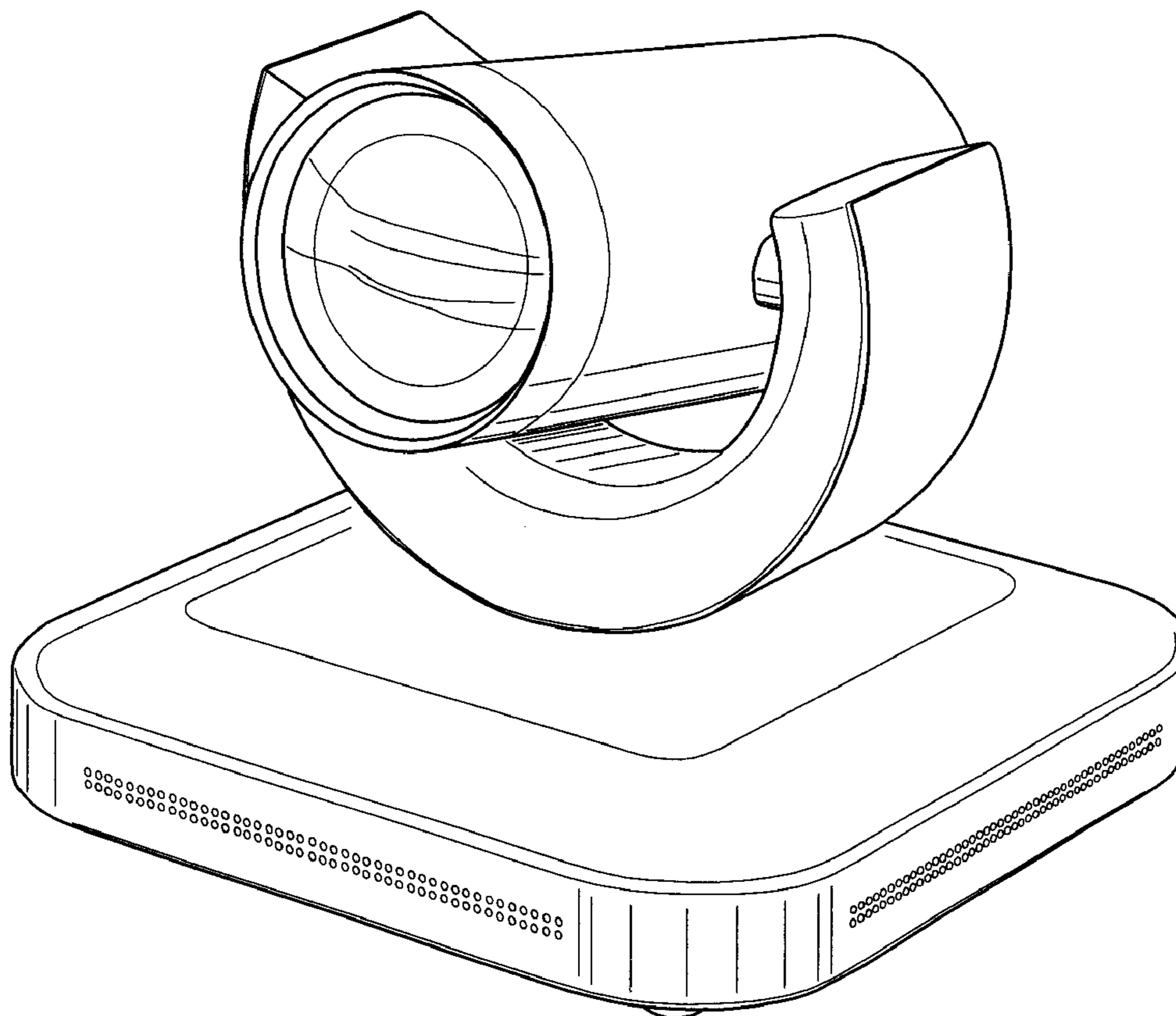
FIG. 4 is a bottom view thereof;

FIG. 5 is a back view thereof;

FIG. 6 is a right view thereof; and,

FIG. 7 is a left view thereof.

1 Claim, 4 Drawing Sheets



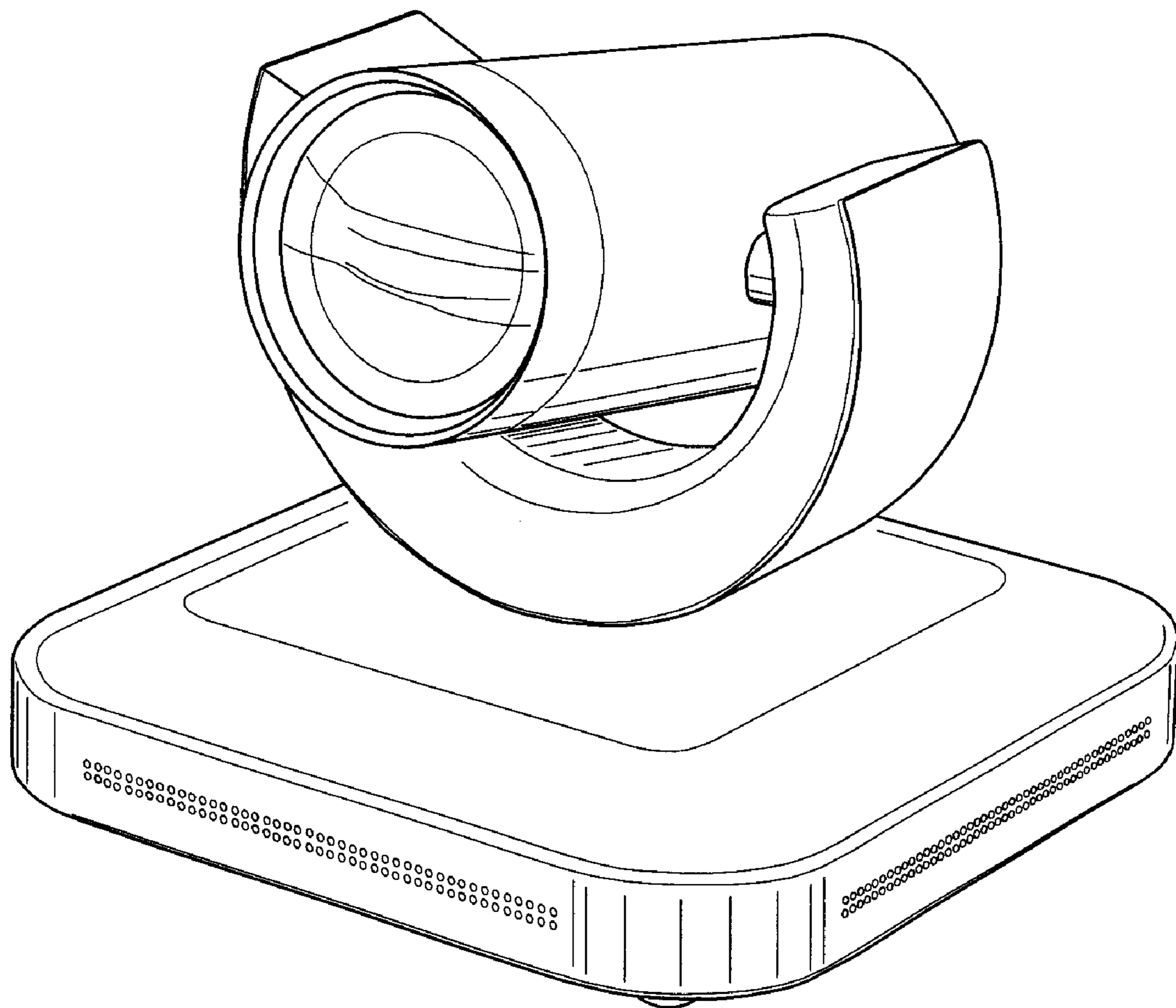


FIG. 1

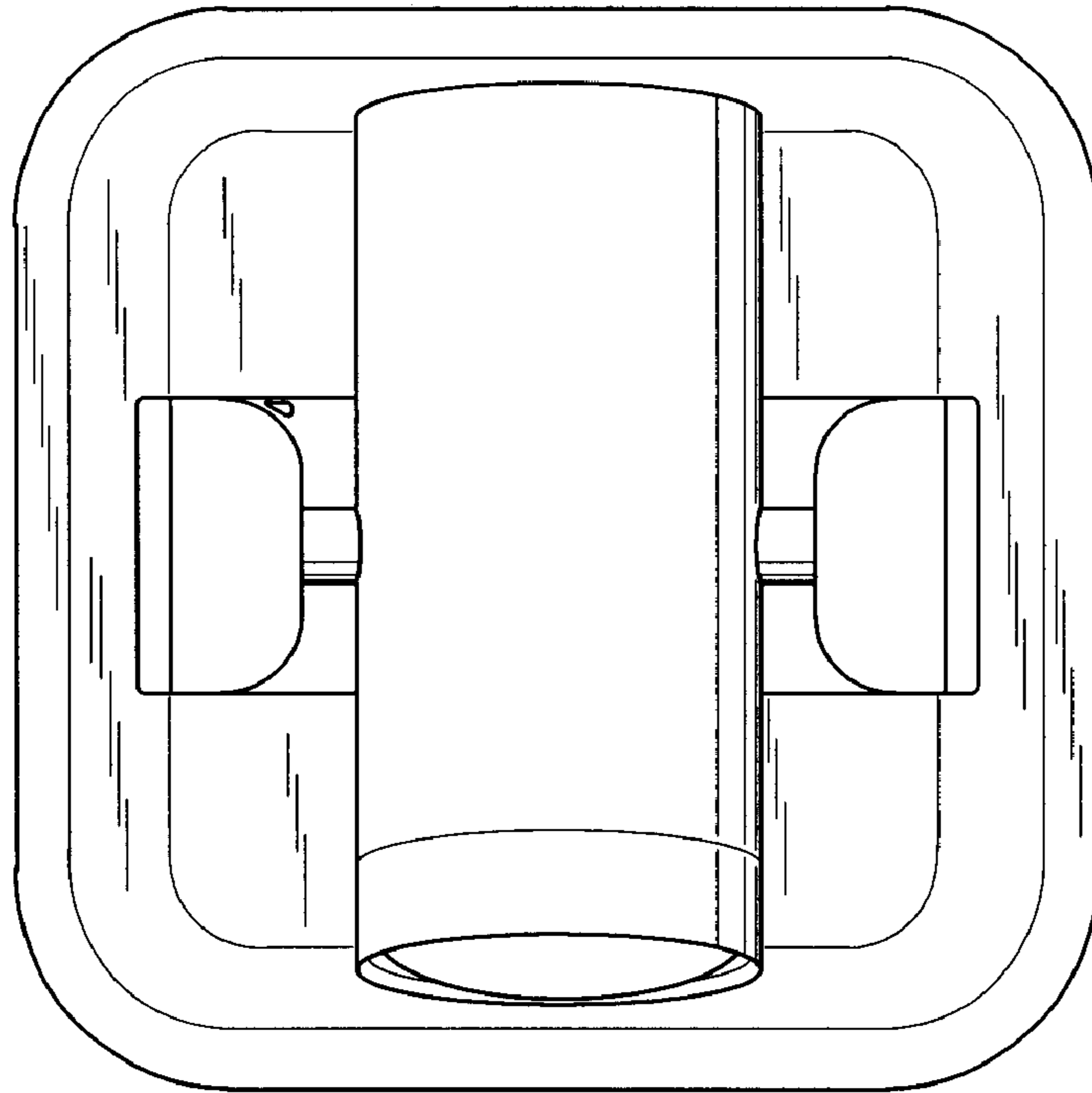


FIG. 2

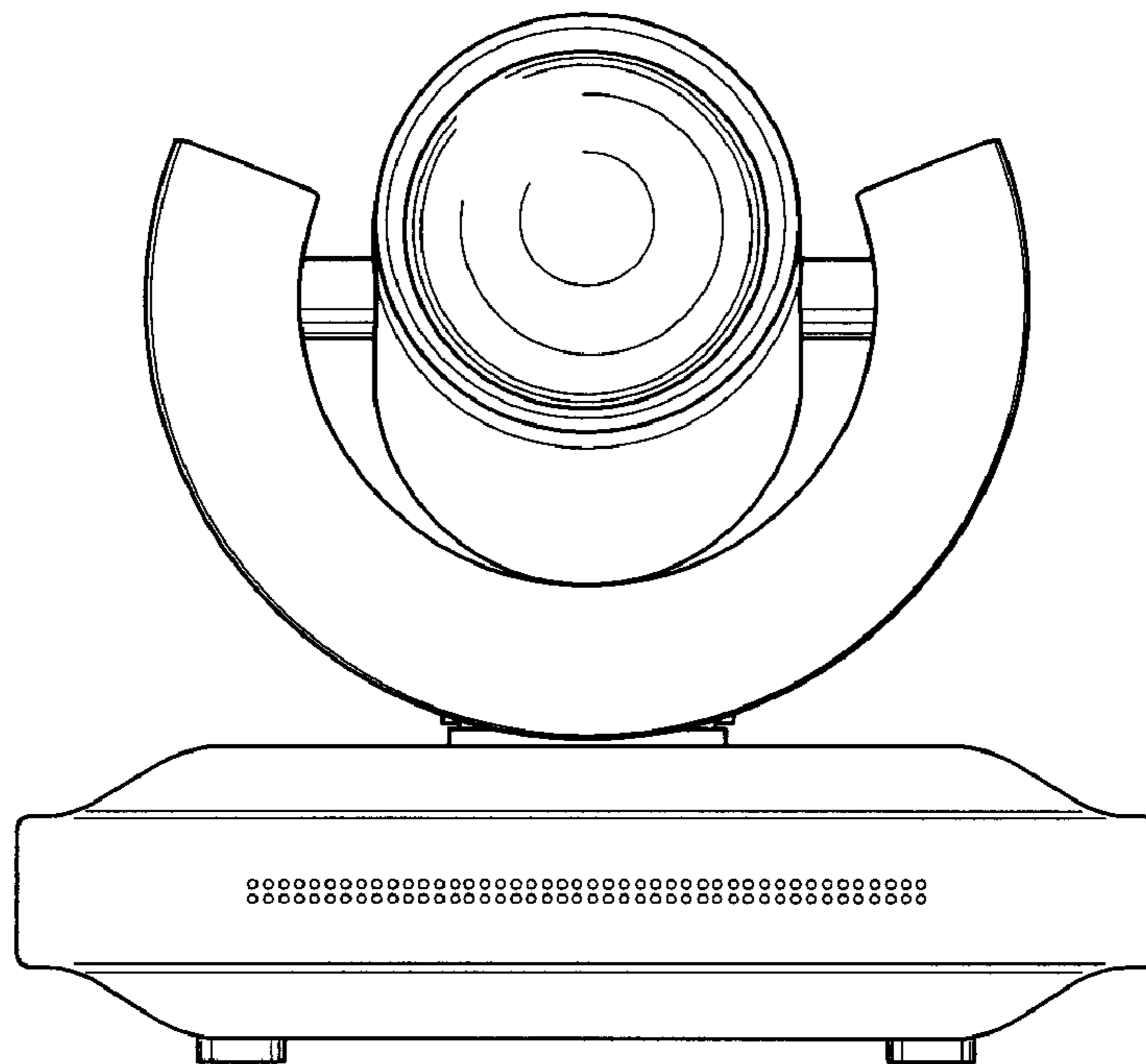


FIG. 3

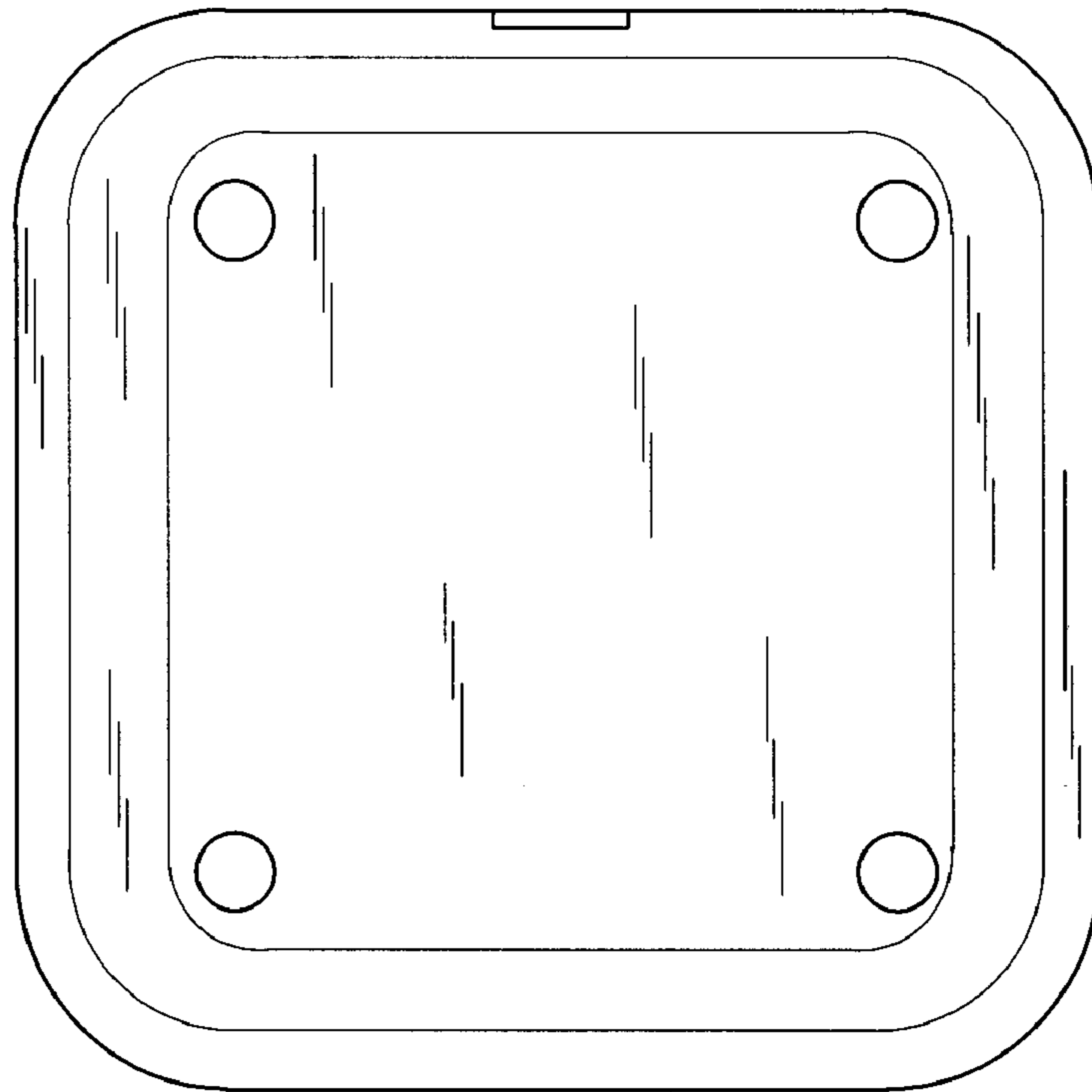


FIG. 4

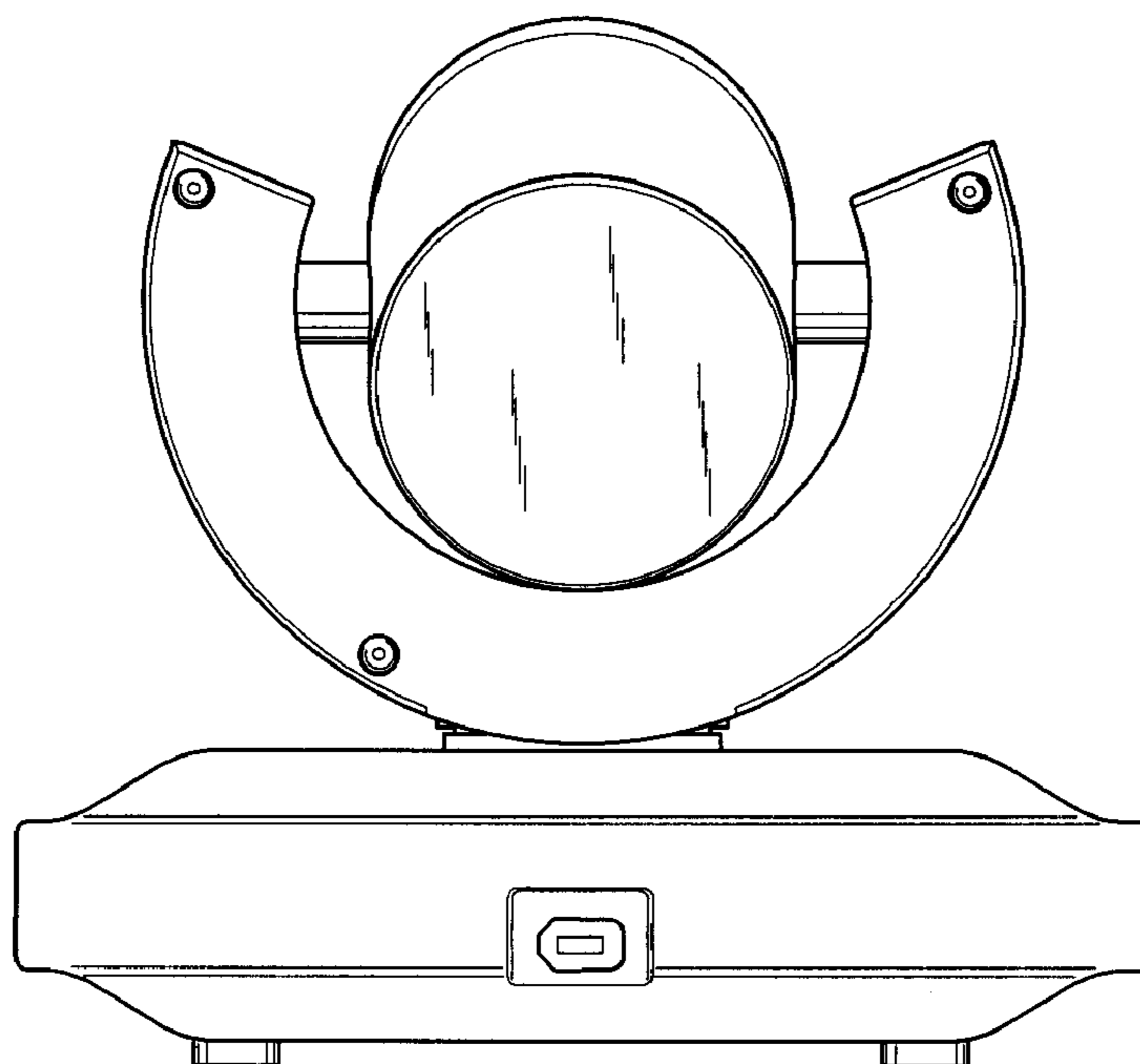


FIG. 5

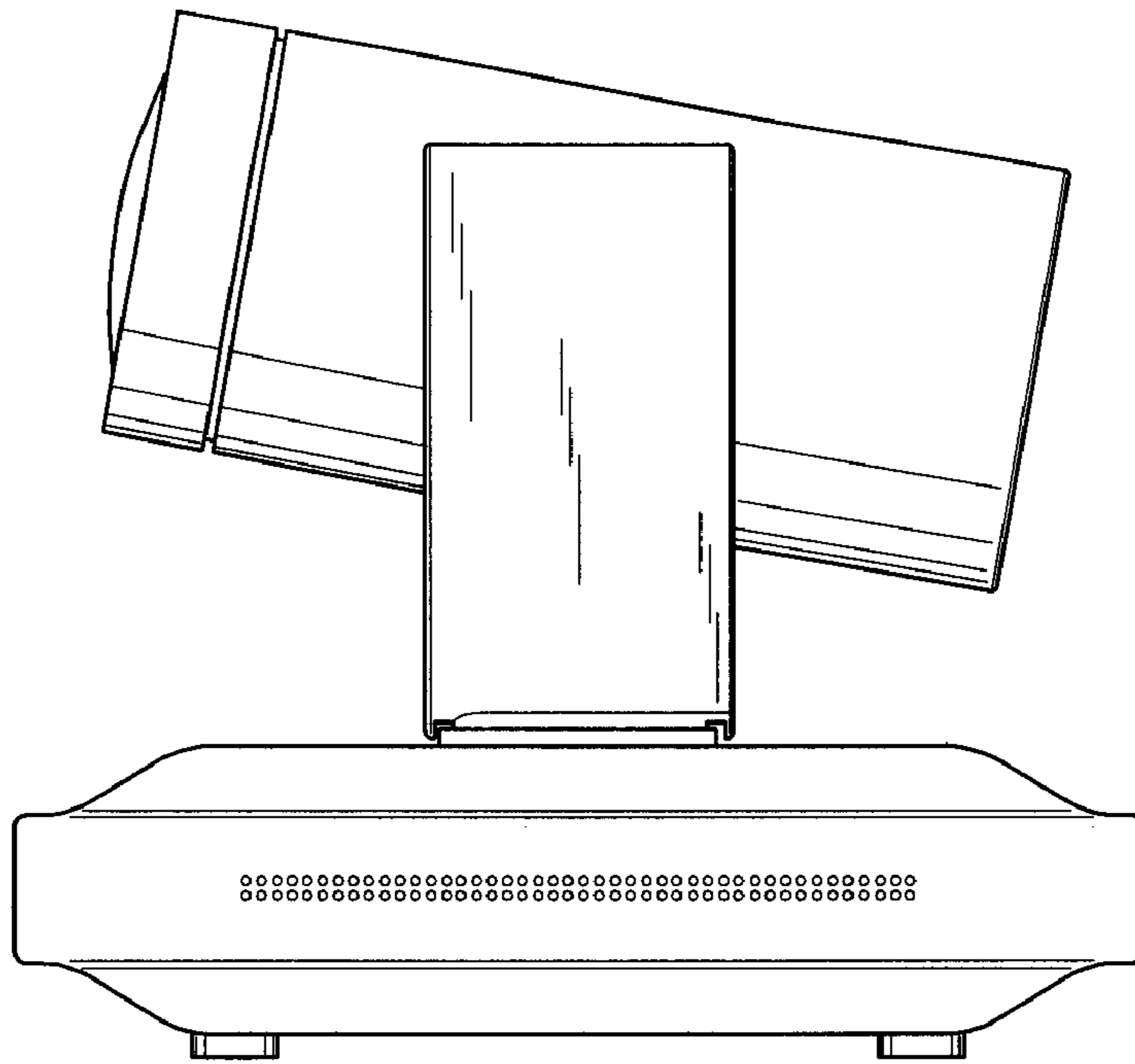


FIG. 6

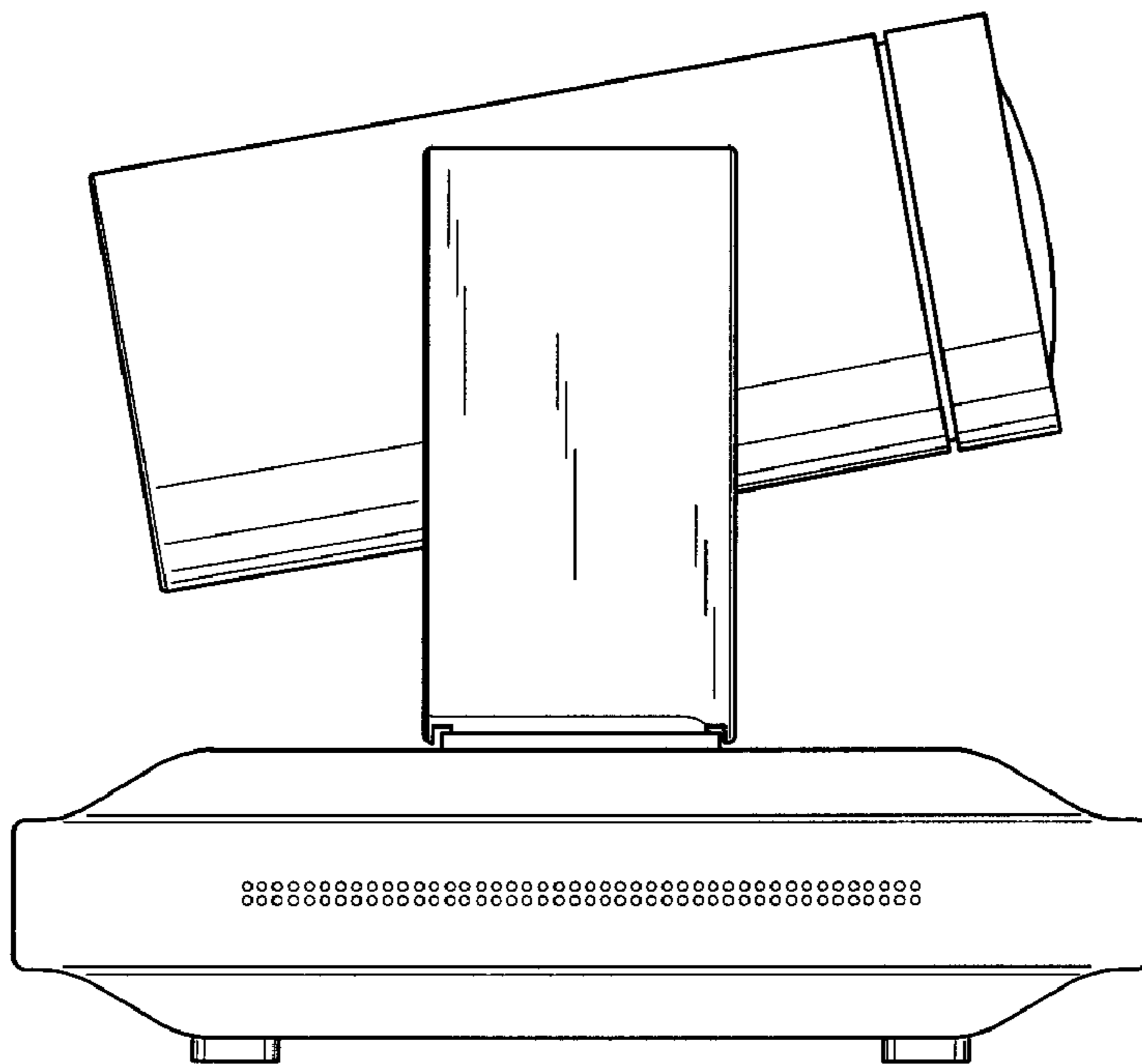


FIG. 7