



US00D536715S

(12) **United States Design Patent**
Welsh

(10) **Patent No.:** **US D536,715 S**

(45) **Date of Patent:** **** Feb. 13, 2007**

(54) **MITER SAW**

(75) Inventor: **Robert P. Welsh**, Hunt Valley, MD
(US)

(73) Assignee: **Black & Decker Inc.**, Newark, DE
(US)

(**) Term: **14 Years**

(21) Appl. No.: **29/197,151**

(22) Filed: **Jan. 9, 2004**

(51) **LOC (8) Cl.** **15-09**

(52) **U.S. Cl.** **D15/133**

(58) **Field of Classification Search** D15/133;
83/455-456, 471, 471.3, 486.1, 490, 520,
83/534, 581, 640, 644

See application file for complete search history.

(56) **References Cited**

U.S. PATENT DOCUMENTS

D373,129 S	*	8/1996	Wixey et al.	D15/133
D374,676 S	*	10/1996	Brickner et al.	D15/133
D418,525 S	*	1/2000	Watson et al.	D15/133
D418,846 S	*	1/2000	Chen	D15/133

* cited by examiner

Primary Examiner—Antoine D. Davis

(74) *Attorney, Agent, or Firm*—Adan Ayala

(57) **CLAIM**

The ornamental design for a miter saw, as shown and described.

DESCRIPTION

FIG. 1 is a perspective view of an embodiment of a miter saw with a saw assembly disposed in a lower position.

FIG. 2 is a front elevational view of the embodiment of FIG. 1.

FIG. 3 is a rear elevational view of the embodiment of FIG. 1.

FIG. 4 is a left side elevational view of the embodiment of FIG. 1.

FIG. 5 is a right side elevational view of the embodiment of FIG. 1.

FIG. 6 is a top plan view of the embodiment of FIG. 1.

FIG. 7 is a bottom plan view of the embodiment of FIG. 1.

FIG. 8 is a perspective view of the embodiment of FIG. 1 with the saw assembly disposed in an upper position.

FIG. 9 is a front elevational view of the embodiment of FIG. 8.

FIG. 10 is a rear elevational view of the embodiment of FIG. 8.

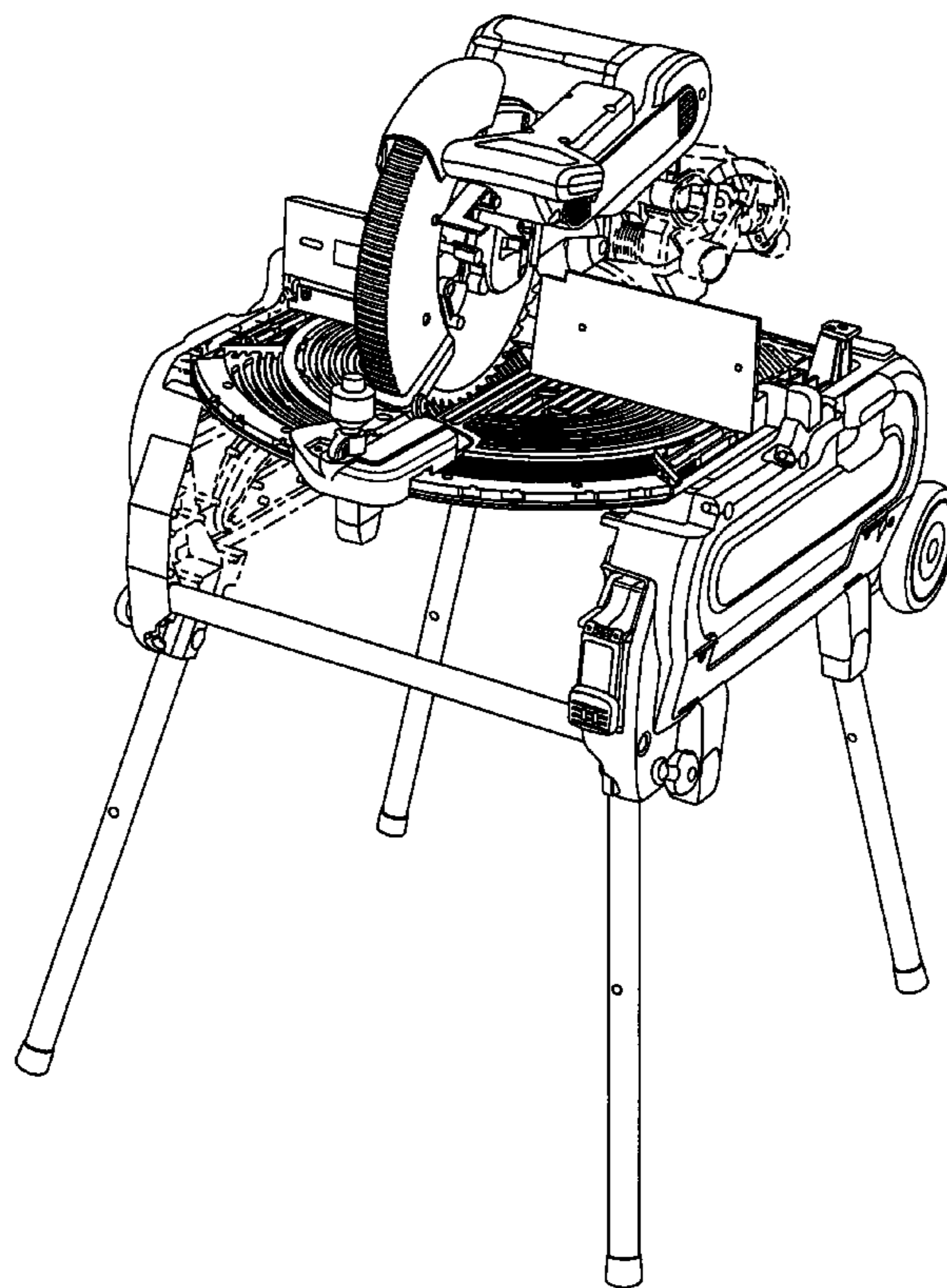
FIG. 11 is a left side elevational view of the embodiment of FIG. 8.

FIG. 12 is a right side elevational view of the embodiment of FIG. 8.

FIG. 13 is a top plan view of the embodiment of FIG. 8; and,

FIG. 14 is a bottom plan view of the embodiment of FIG. 8.

1 Claim, 14 Drawing Sheets



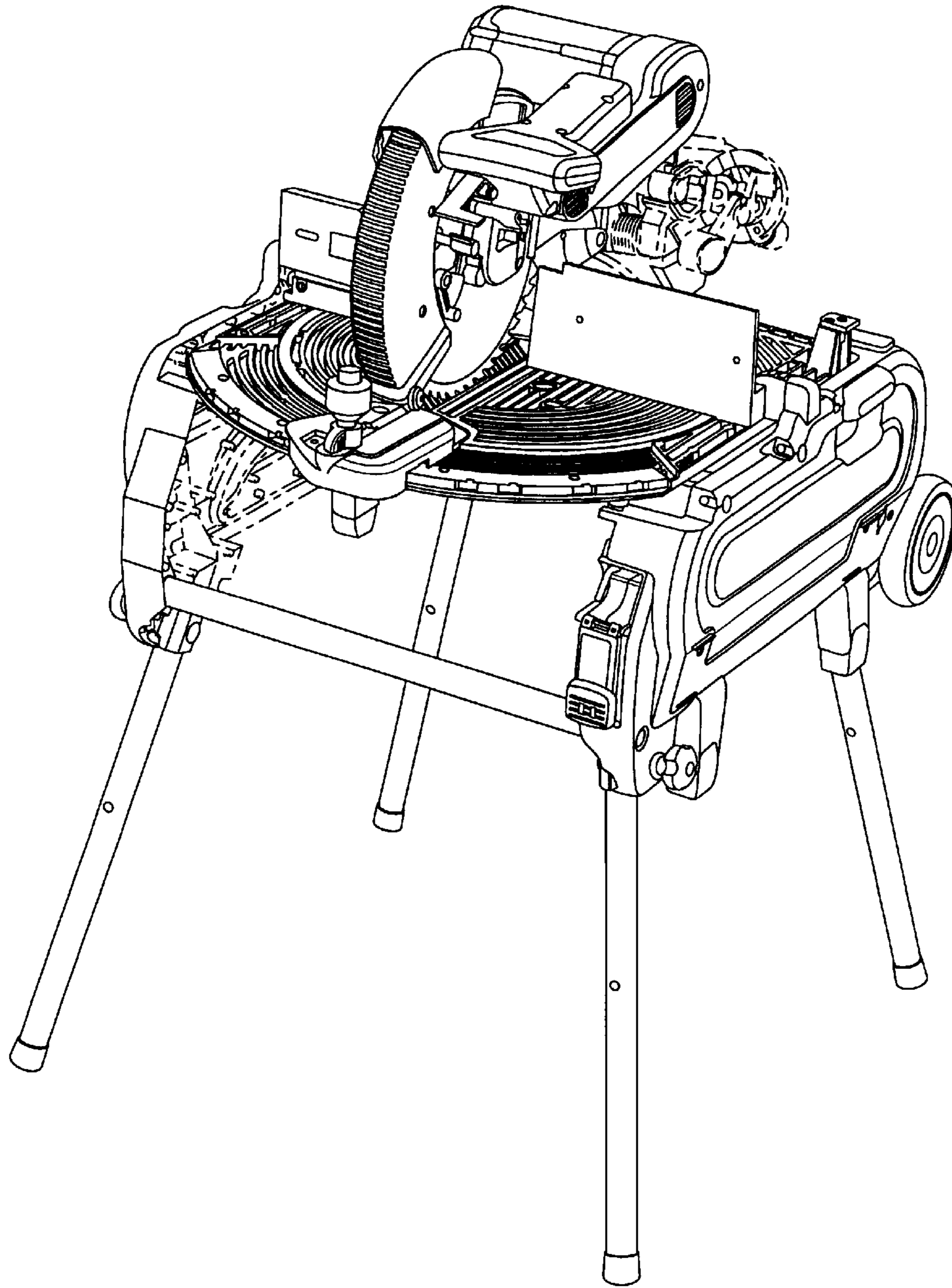


FIG. 1

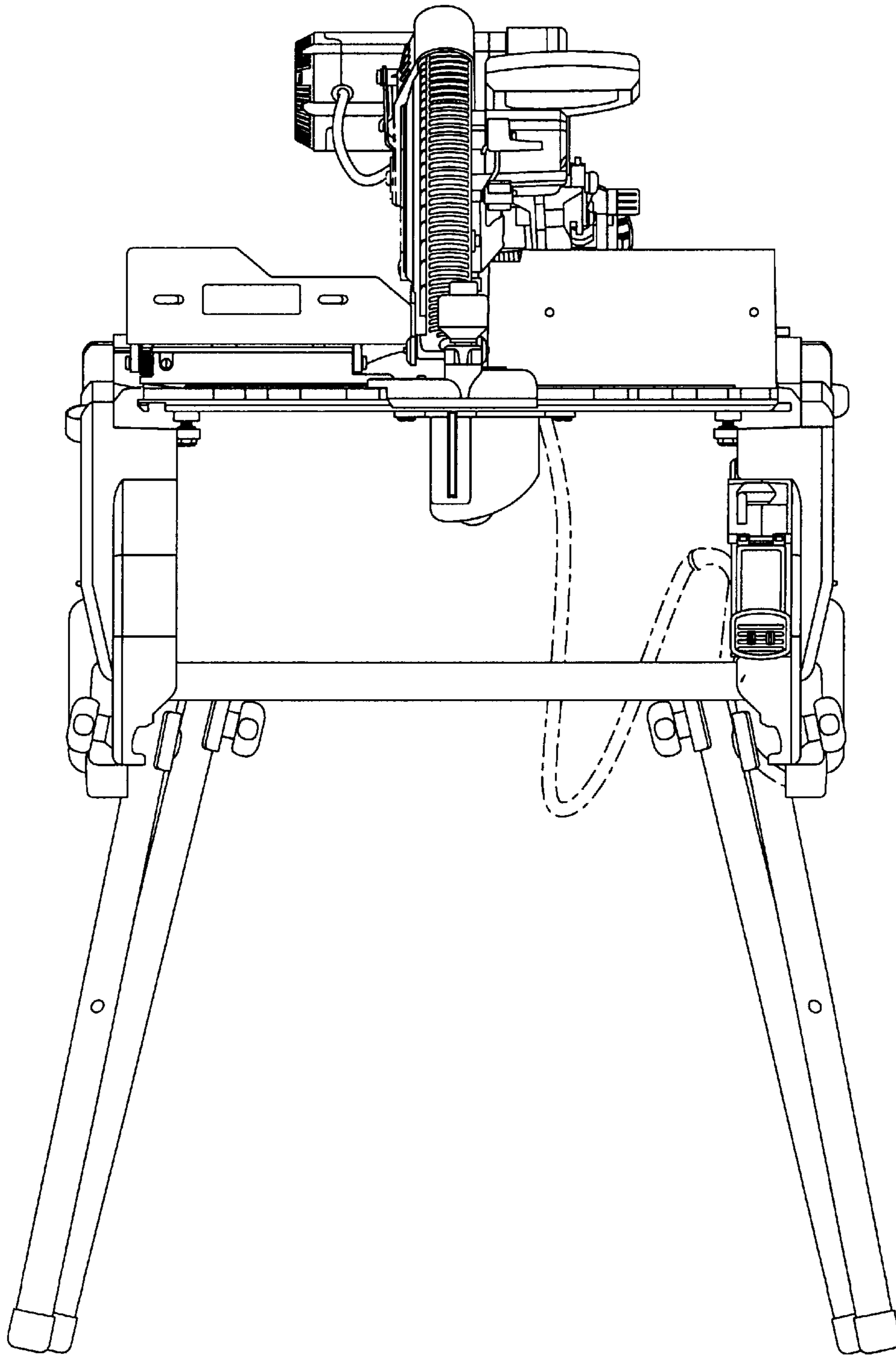


FIG. 2

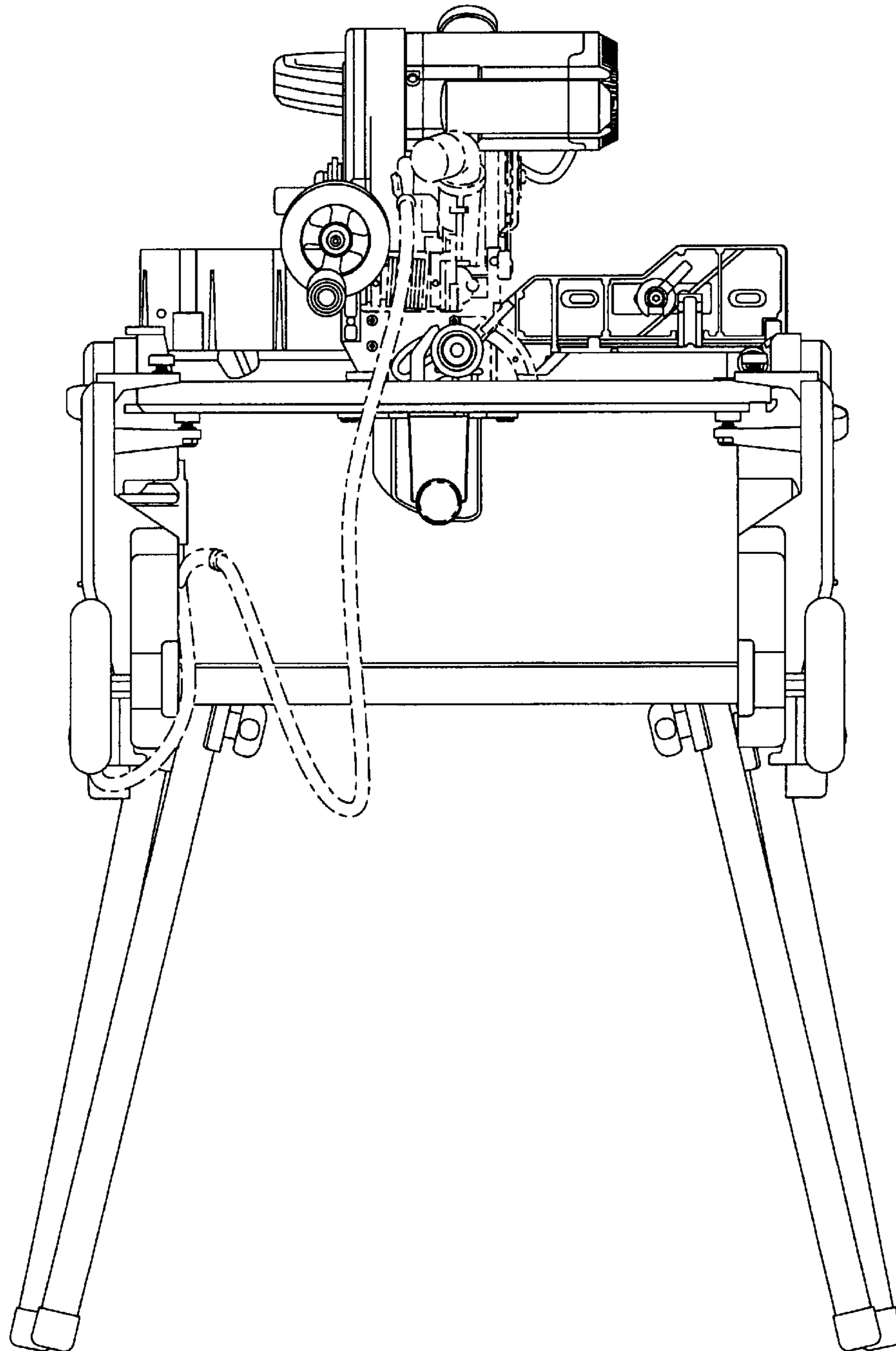


FIG. 3

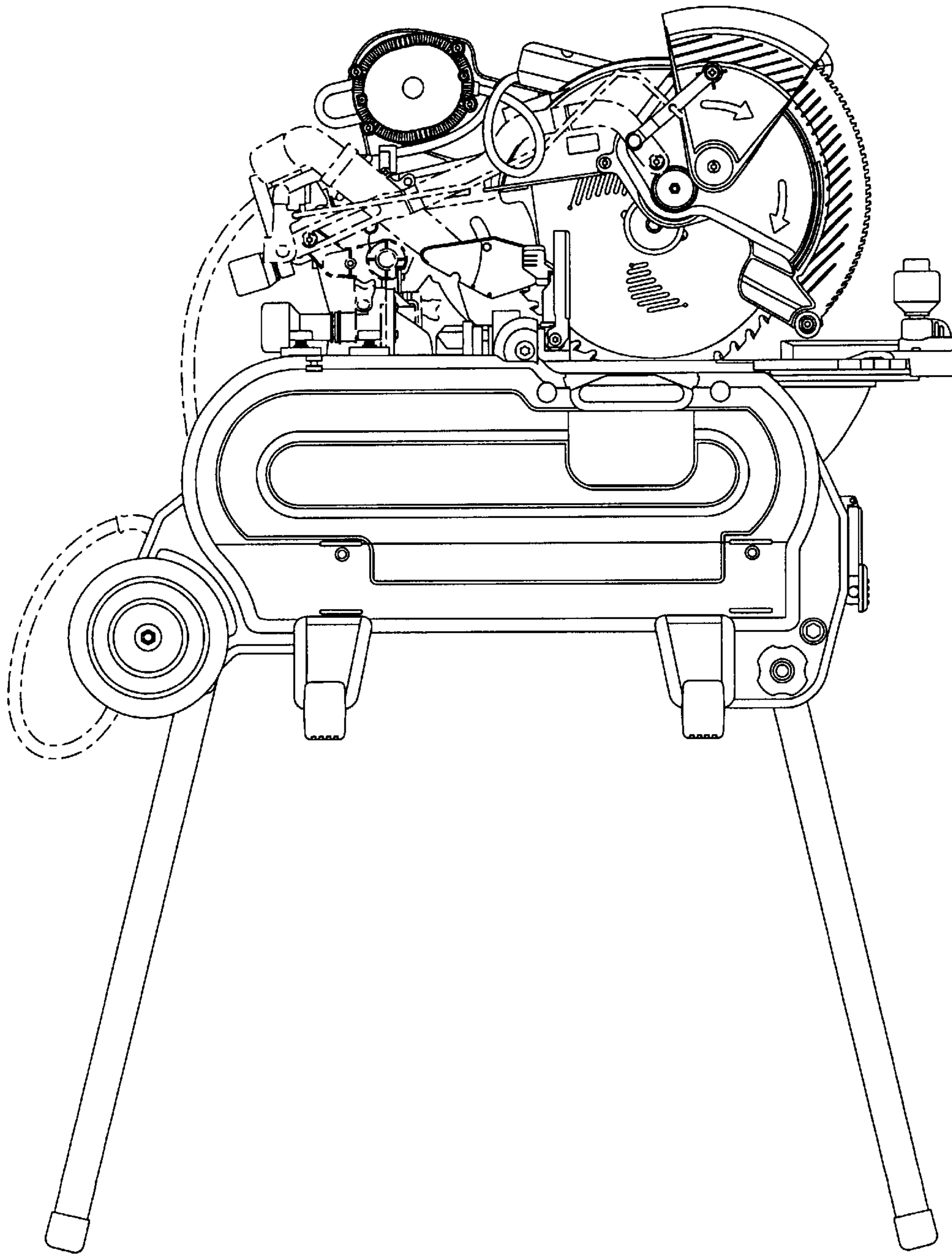


FIG. 4

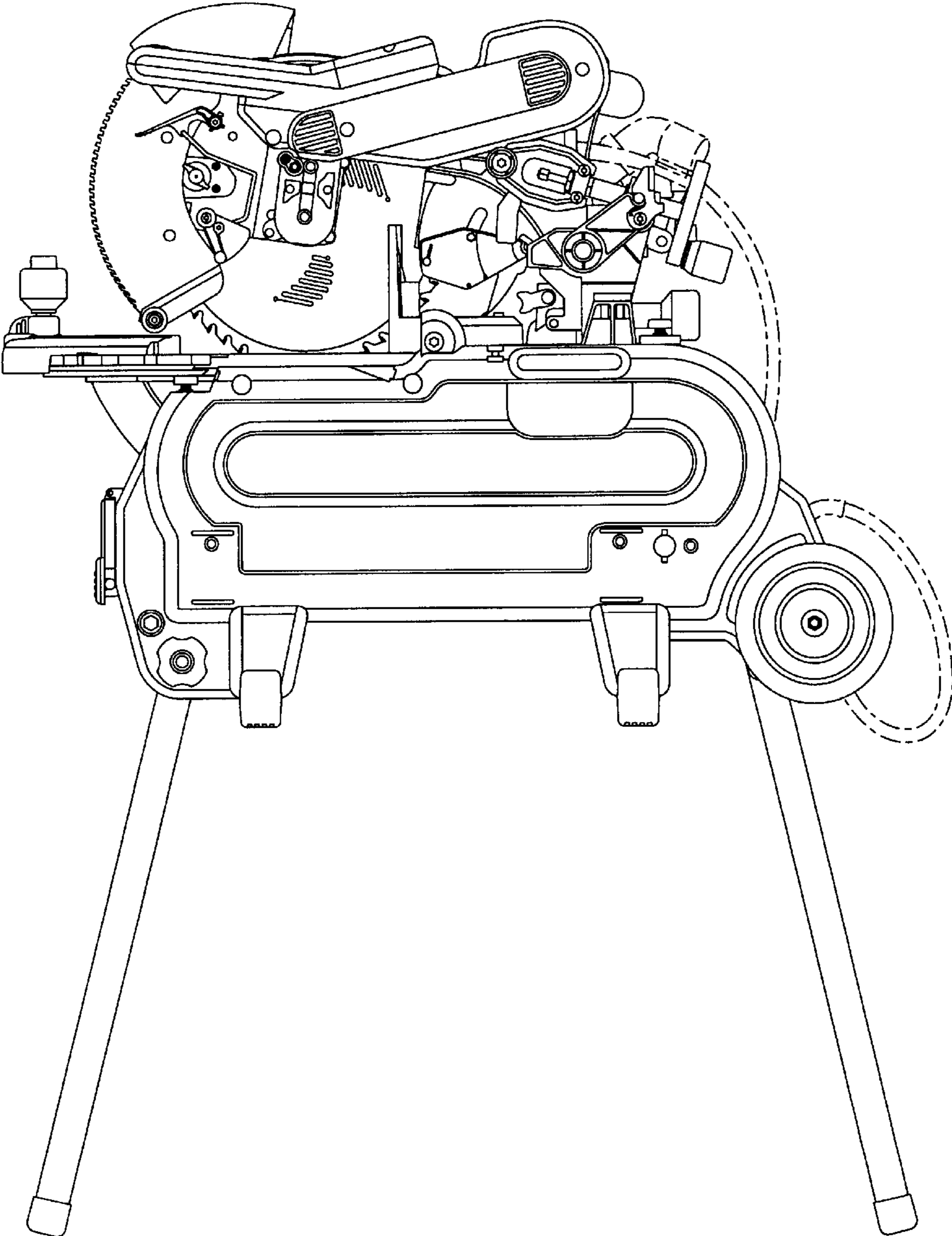


FIG. 5

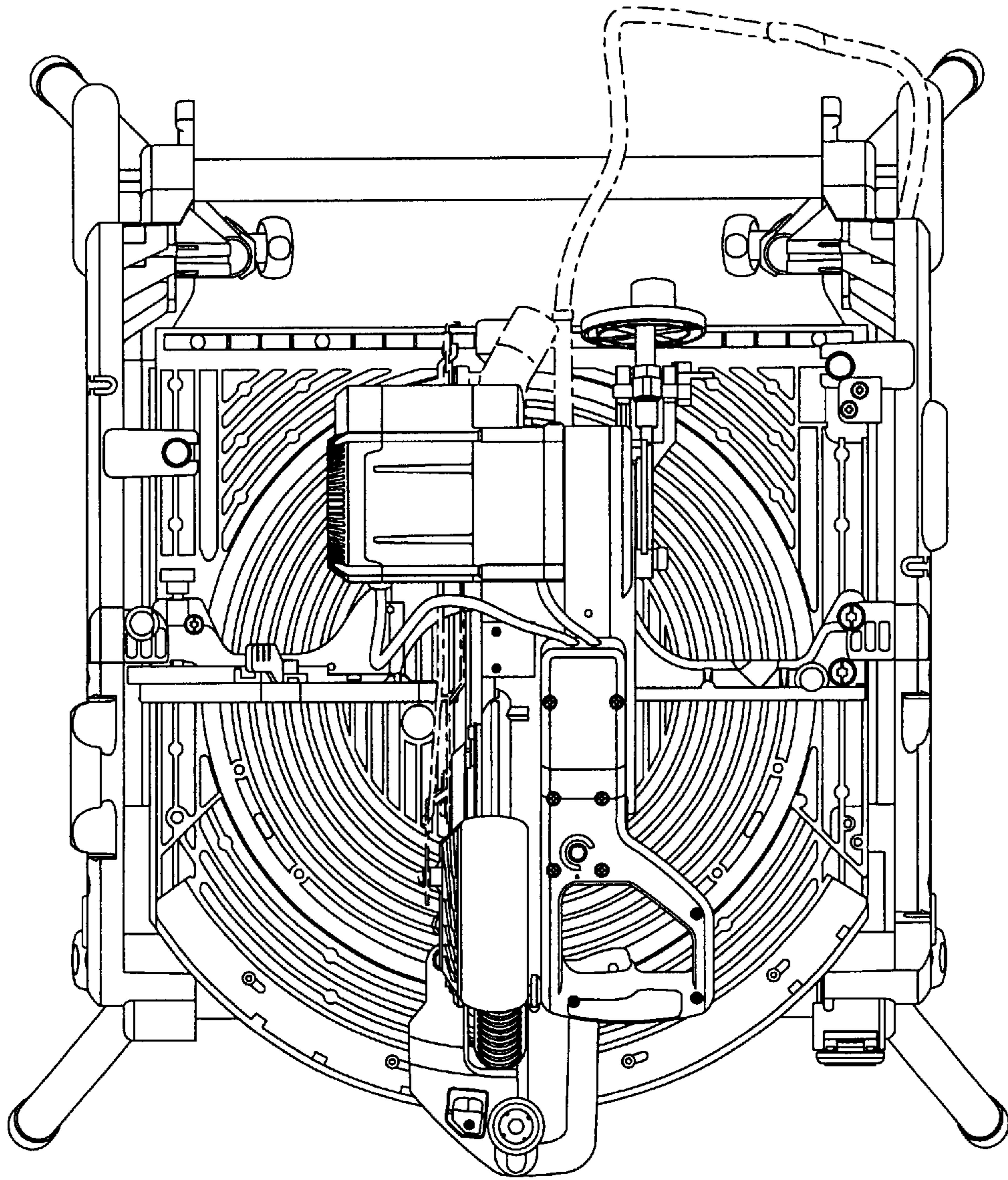


FIG. 6

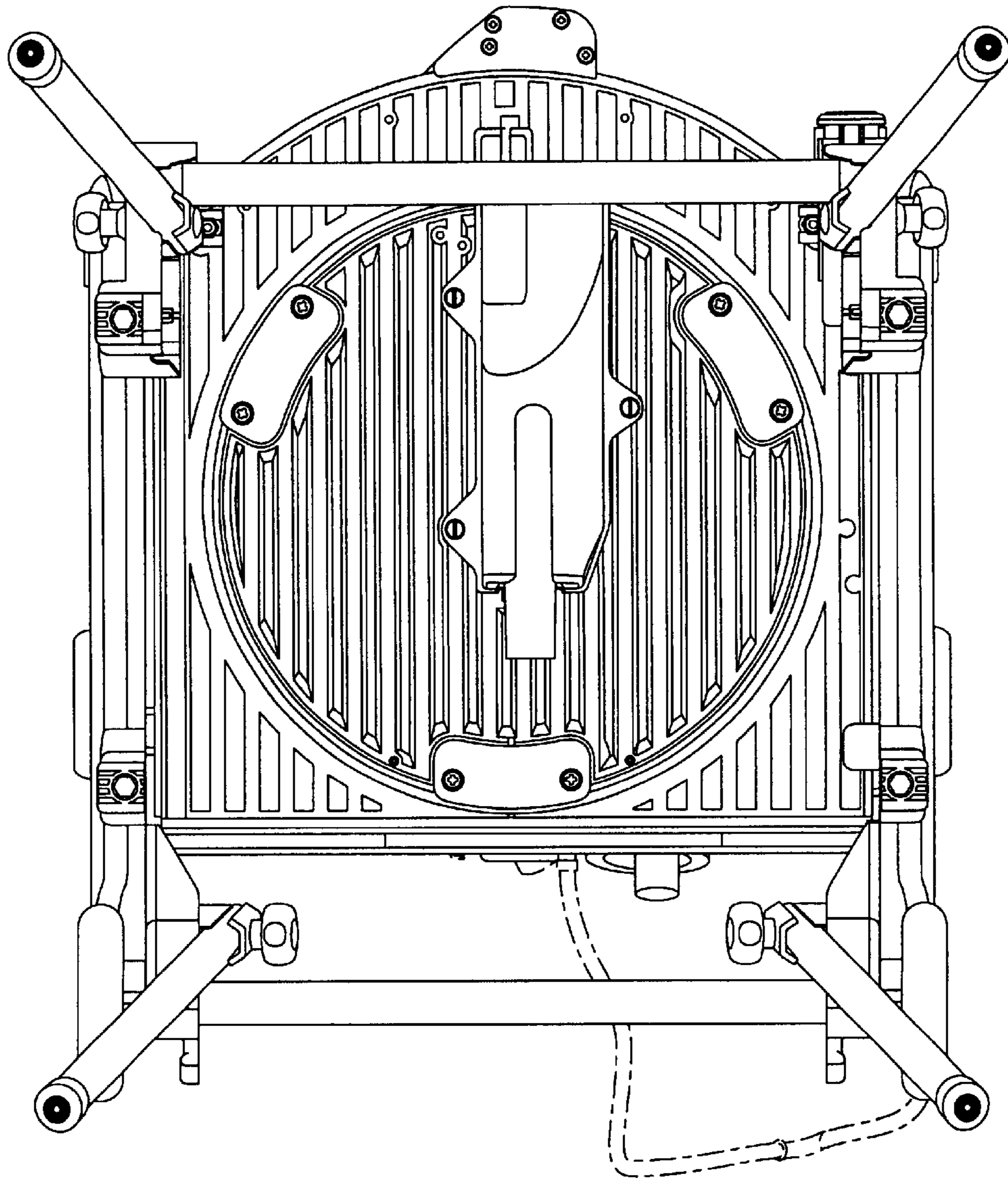


FIG. 7

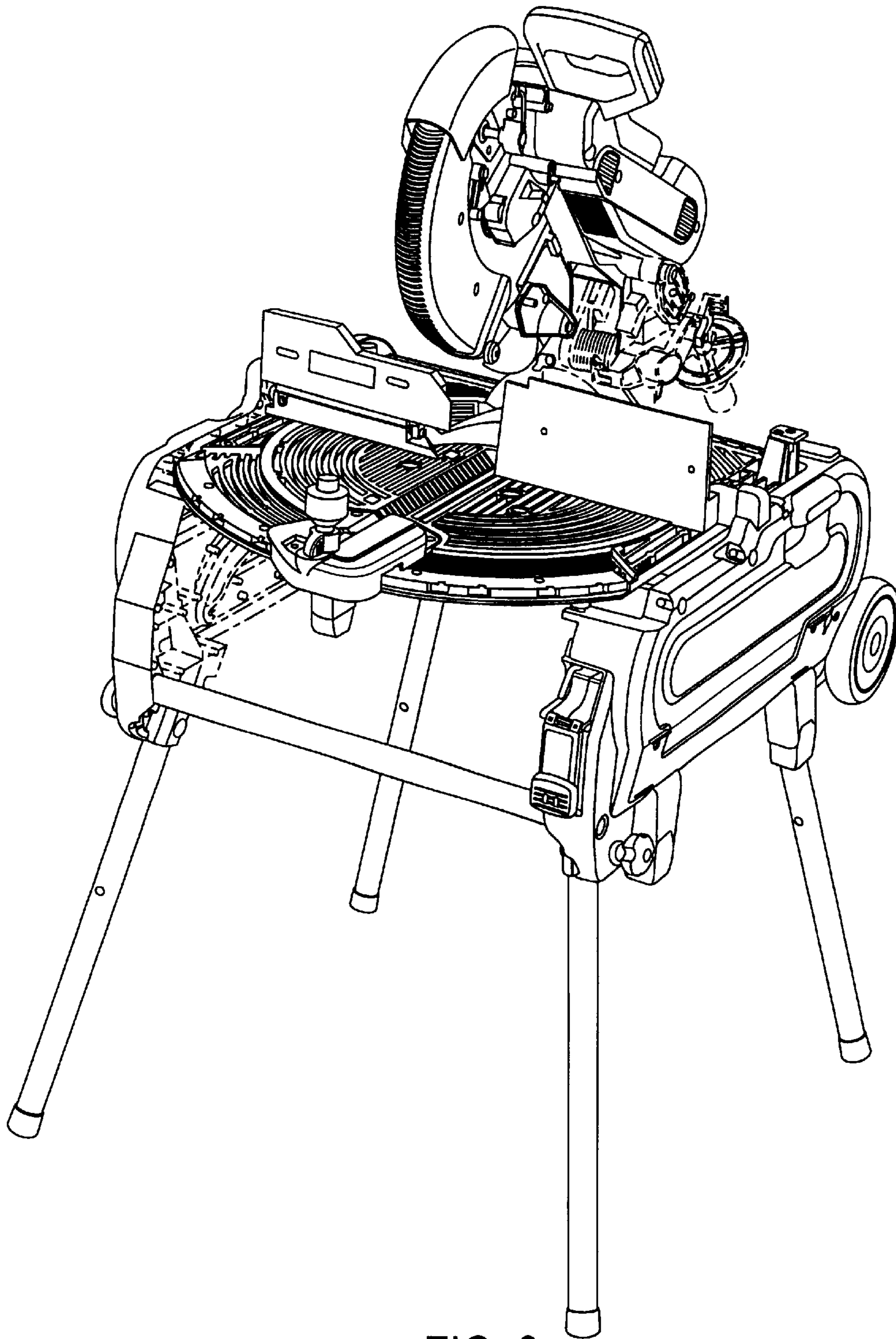


FIG. 8

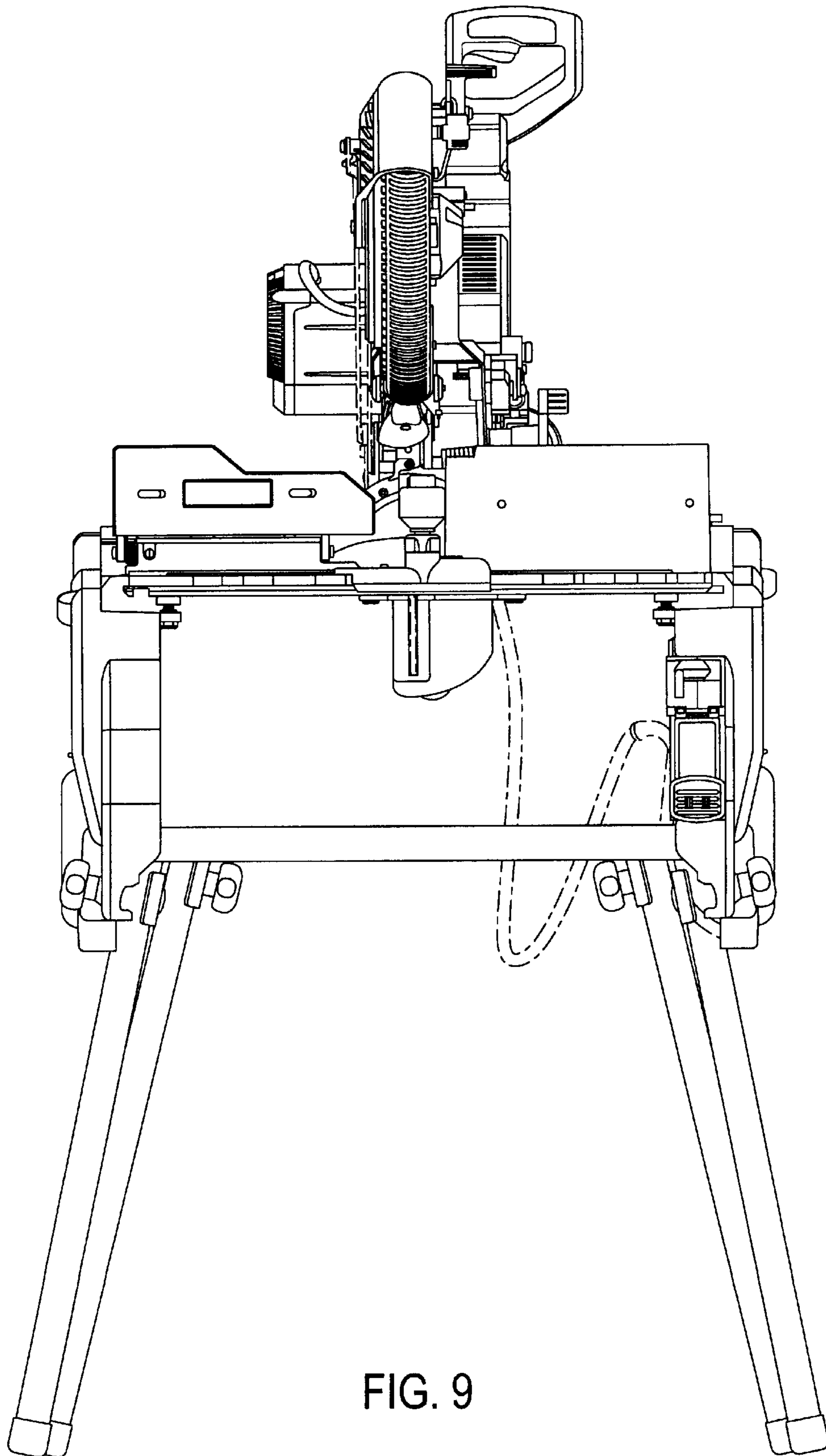


FIG. 9

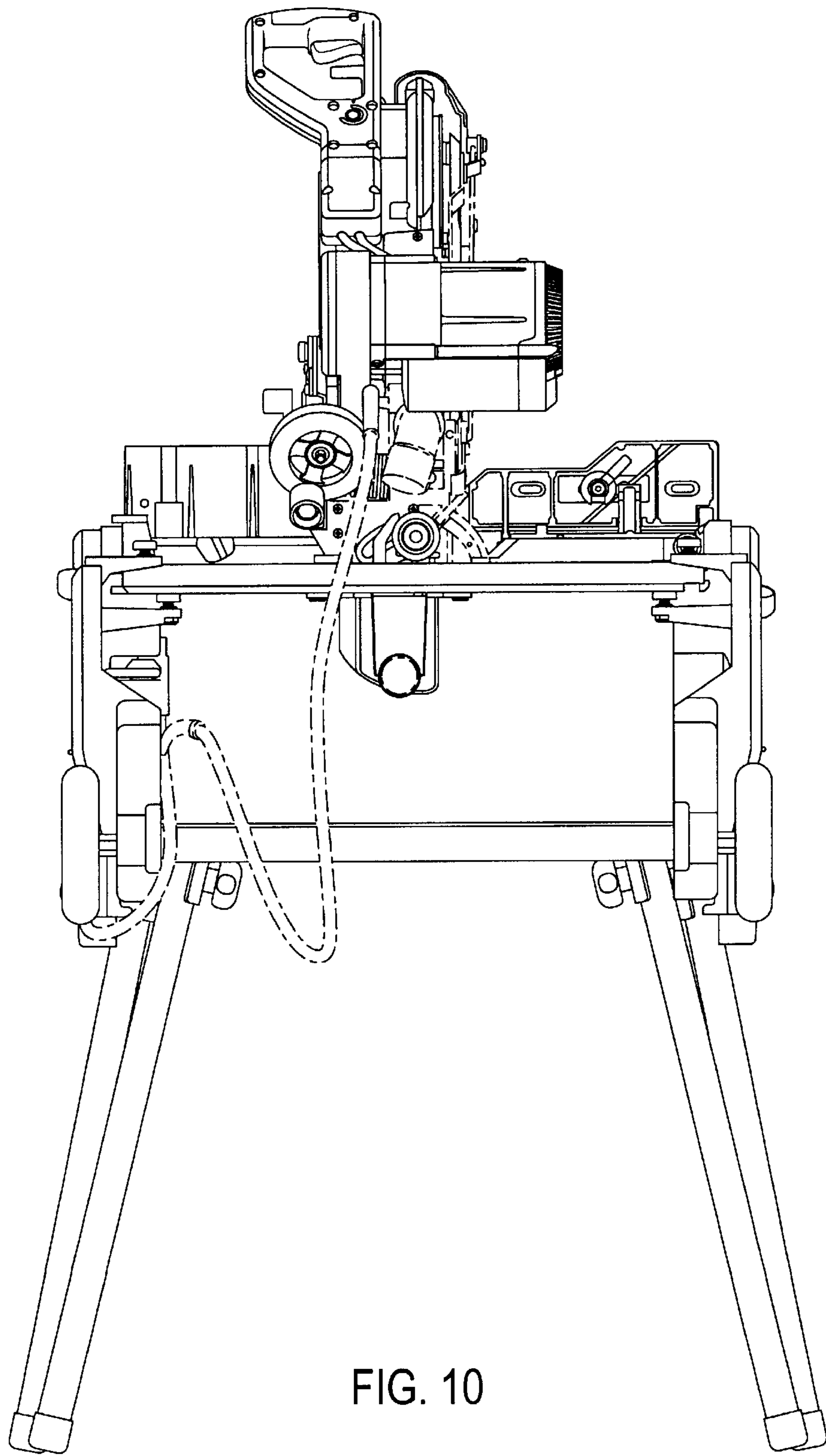


FIG. 10

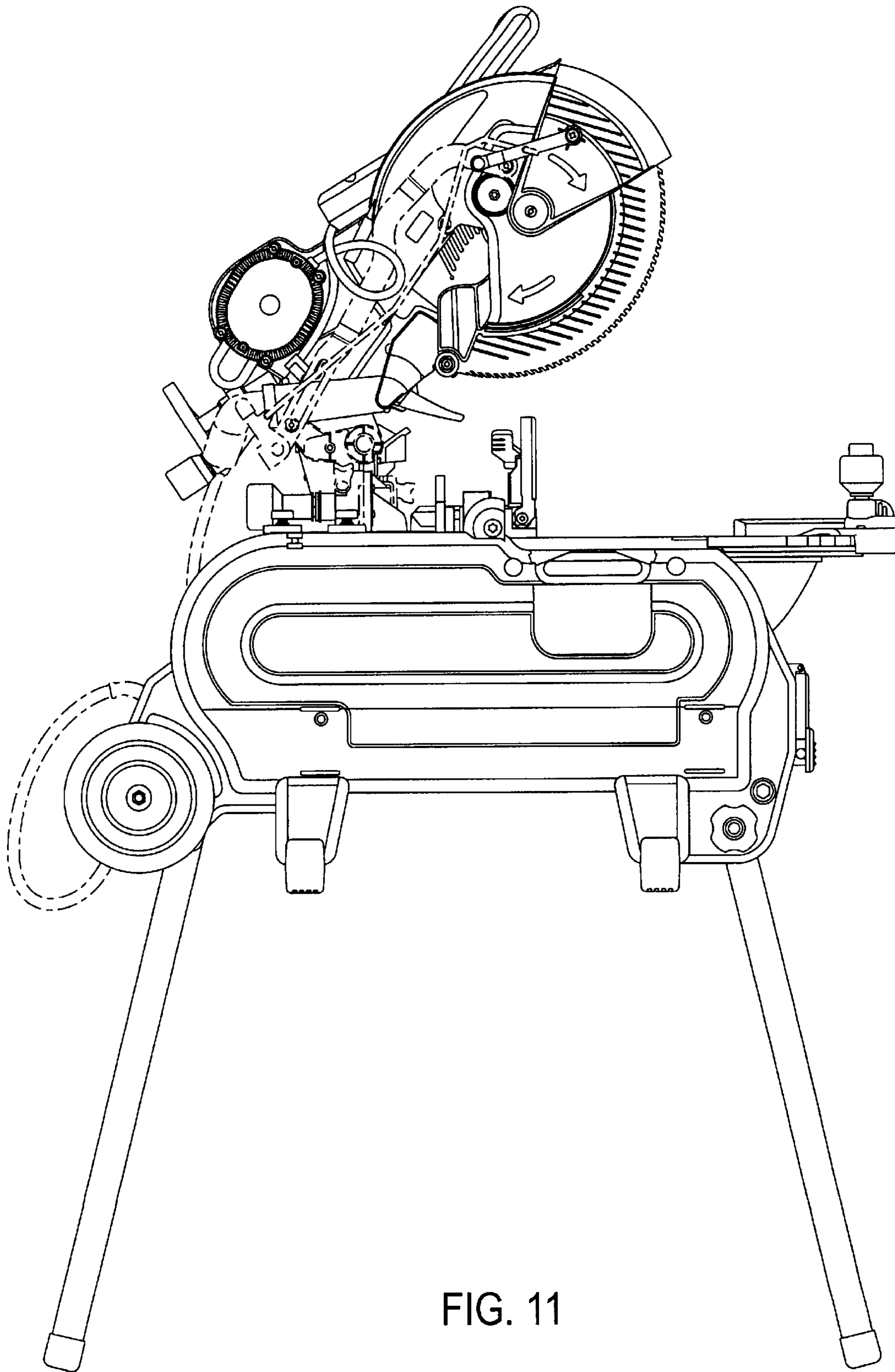


FIG. 11

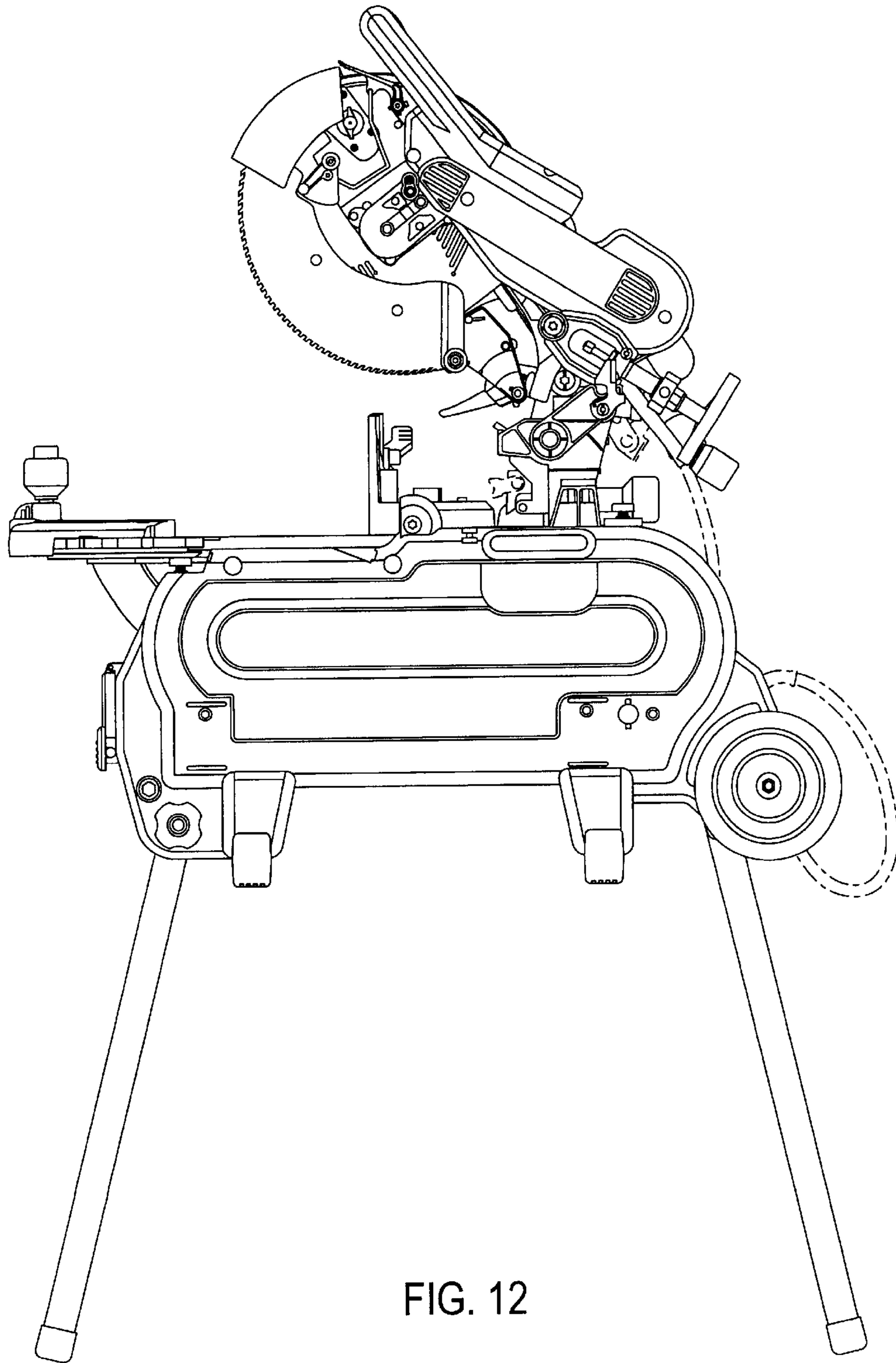


FIG. 12

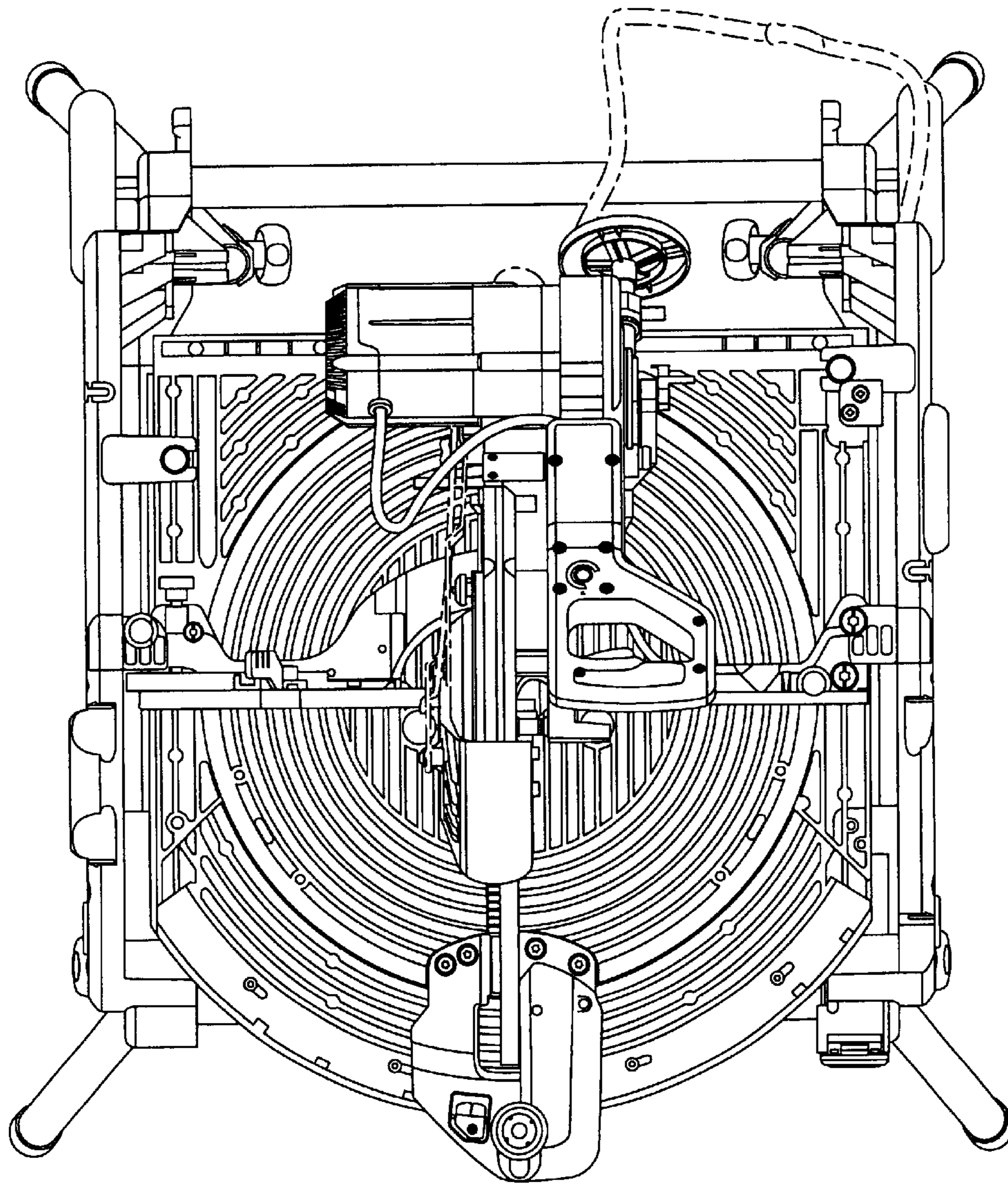


FIG. 13

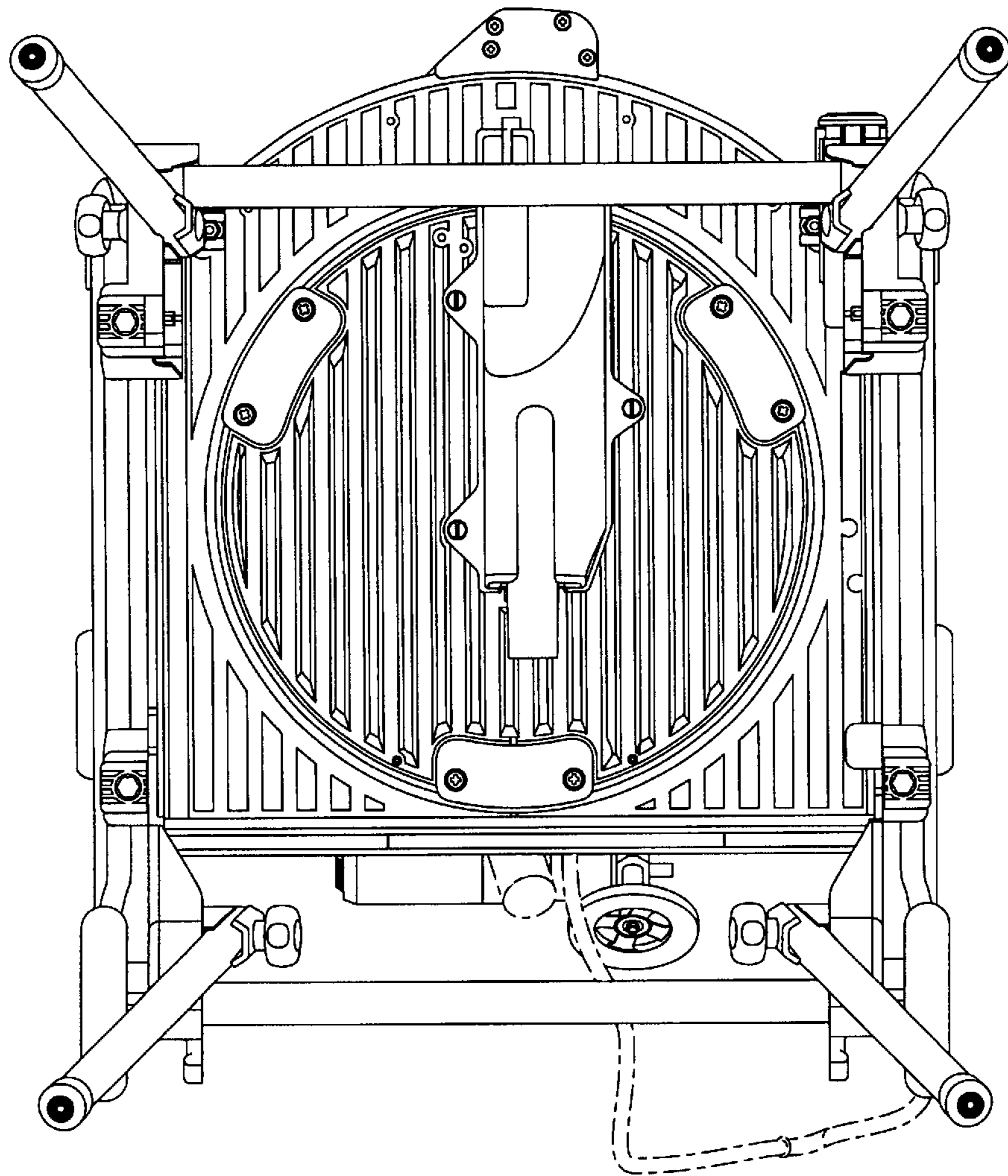


FIG. 14