



US00D536713S

(12) **United States Design Patent**
Schmidt et al.

(10) **Patent No.:** **US D536,713 S**

(45) **Date of Patent:** **** Feb. 13, 2007**

(54) **REFRIGERATOR-FREEZER**

(75) Inventors: **Duane A. Schmidt**, Newburgh, IN (US); **Allan R. Steinkuhl**, Evansville, IN (US); **Joseph L. Coleman**, Evansville, IN (US)

(73) Assignee: **Whirlpool Corporation**, Benton Harbor, MI (US)

(**) Term: **14 Years**

(21) Appl. No.: **29/256,545**

(22) Filed: **Mar. 22, 2006**

Related U.S. Application Data

(62) Division of application No. 29/237,962, filed on Sep. 8, 2005, now Pat. No. Des. 523,036.

(51) **LOC (8) Cl.** **15-07**

(52) **U.S. Cl.** **D15/91**

(58) **Field of Classification Search** D25/158, D25/102, 109; 404/65; 280/163; D15/79-91
See application file for complete search history.

(56) **References Cited**

U.S. PATENT DOCUMENTS

D95,158 S *	4/1935	Burerus	D25/158
2,127,853 A *	8/1938	Austin	404/65
3,357,719 A *	12/1967	McCrea	280/163
4,787,556 A *	11/1988	Heisson	238/14
D333,645 S *	3/1993	Tyler	D12/221
D336,524 S *	6/1993	White et al.	D25/102
D372,011 S *	7/1996	Tyler	D12/203
5,807,021 A *	9/1998	Aaron	404/19
D441,093 S *	4/2001	Johnson	D25/62
D456,533 S *	4/2002	Moller, Jr.	D25/163
D474,285 S *	5/2003	Bresciani	D25/109
D474,563 S *	5/2003	Bresciani	D29/109
D491,585 S *	6/2004	Schmidt et al.	D15/91
D497,921 S *	11/2004	Schmidt et al.	D15/91
D500,059 S *	12/2004	Schmidt et al.	D15/91
D505,962 S *	6/2005	Schmidt et al.	D15/91
D508,504 S *	8/2005	Schmidt et al.	D15/91

D512,733 S *	12/2005	Schmidt et al.	D15/91
D517,574 S *	3/2006	Schmidt et al.	D15/91
D523,035 S *	6/2006	Schmidt et al.	D15/91

* cited by examiner

Primary Examiner—Mitchell Siegel

(74) *Attorney, Agent, or Firm*—Stephen Kreefman; Robert O. Rice; John F. Colligan

(57) **CLAIM**

The ornamental design for a refrigerator-freezer, as shown and described.

DESCRIPTION

FIG. 1 is a right front perspective view of the design of the refrigerator freezer;

FIG. 2 is a front elevational view thereof. The ornamental design is not visible in a rear view, top plan view or bottom view;

FIG. 3 is a right side elevational view thereof, the left side elevational view being a mirror image; and

FIG. 4 is an enlarged view of the pattern on the refrigerator-freezer doors of the embodiment of FIG. 1.

FIG. 5 is a right front perspective view of another embodiment of the refrigerator-freezer of FIG. 1, the only difference being the configuration of the pattern on the refrigerator-freezer doors, it being understood that all other surfaces are the same as those of the embodiment of FIG. 1;

FIG. 6 is an enlarged view of the pattern on the refrigerator-freezer doors of the embodiment as shown in FIG. 5;

FIG. 7 is a right front perspective view of another embodiment of the refrigerator-freezer of FIG. 1, the only difference being the configuration of the pattern on the refrigerator-freezer doors, it being understood that all other surfaces are the same as those of the embodiment of FIG. 1;

FIG. 8 is an enlarged view of the pattern on the refrigerator-freezer doors of the embodiment as shown in FIG. 7;

FIG. 9 is a right front perspective view of another embodiment of the refrigerator-freezer of FIG. 1, the only difference being the configuration of the pattern on the refrigerator-freezer doors, it being understood that all other surfaces are the same as those of the embodiment of FIG. 1;

FIG. 10 is an enlarged view of the pattern on the refrigerator-freezer doors of the embodiment as shown in FIG. 9;

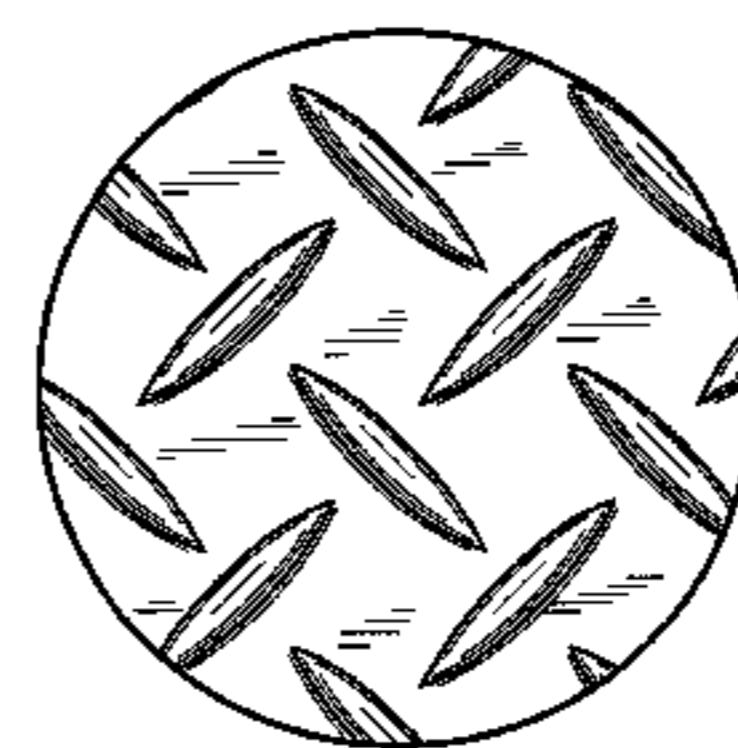
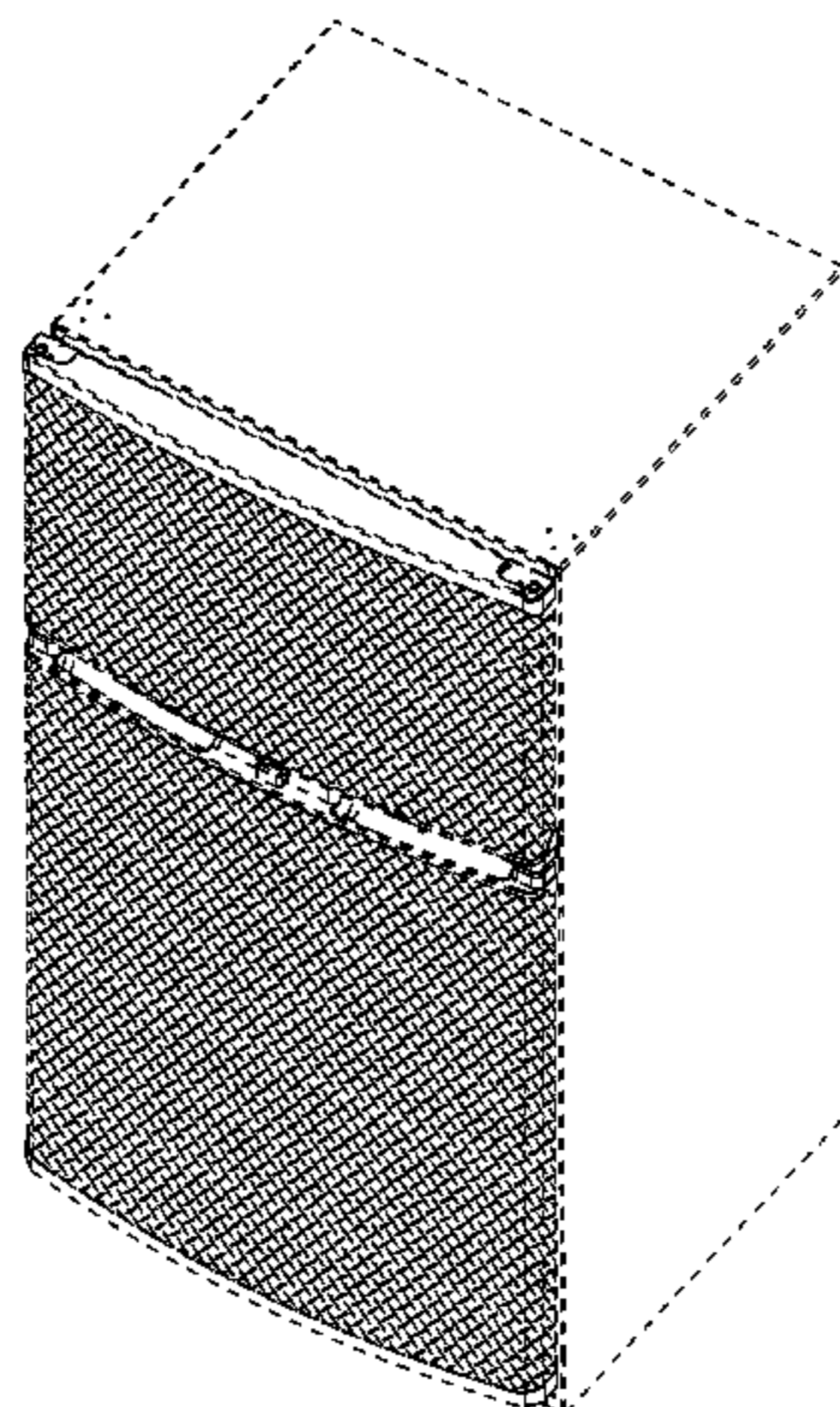


FIG. 11 is a right front perspective view of another embodiment of the refrigerator-freezer of FIG. 1, the only difference being the configuration of the pattern on the refrigerator-freezer doors, it being understood that all other surfaces are the same as those of the embodiment of FIG. 1;

FIG. 12 is an enlarged view of the pattern on the refrigerator-freezer doors of the embodiment as shown in FIG. 11;

FIG. 13 is a right front perspective view of another embodiment of the refrigerator-freezer of FIG. 1, the only difference being the configuration of the pattern on the refrigerator-freezer doors, it being understood that all other surfaces are the same as those of the embodiment of FIG. 1;

FIG. 14 is an enlarged view of the pattern on the refrigerator-freezer doors of the embodiment as shown in FIG. 13.

FIG. 15 is a right front perspective view of another embodiment of the refrigerator-freezer of FIG. 1, the only difference being the configuration of the pattern on the refrigerator-freezer doors, it being understood that all other surfaces are the same as those of the embodiment of FIG. 1.

FIG. 16 is an enlarged view of the pattern on the refrigerator-freezer doors of the embodiment as shown in FIG. 15.

FIG. 17 is a right front perspective view of another embodiment of the refrigerator-freezer of FIG. 1, the only difference

being the configuration of pattern on the refrigerator-freezer doors, it being understood that all other surfaces are the same as those of the embodiment of FIG. 1;

FIG. 18 is an enlarged view of the pattern on the refrigerator-freezer doors of the embodiment as shown in FIG. 17;

FIG. 19 is a right front perspective view of another embodiment of the refrigerator-freezer of FIG. 1, the only difference being the configuration of the pattern on the refrigerator-freezer doors, it being understood that all other surfaces are the same as those of the embodiment of FIG. 1; and,

FIG. 20 is an enlarged view of the pattern on the refrigerator-freezer doors of the embodiment as shown in FIG. 19.

The characteristic feature of the ornamental design resides in the use of a pattern on the refrigerator-freezer doors. Those portions of refrigerator-freezer in broken lines, specifically the surfaces of the refrigerator-freezer at the top and bottom edges of the doors and surfaces extending back from the doors including other surfaces of the refrigerator-freezer are not part of the claimed invention.

1 Claim, 11 Drawing Sheets

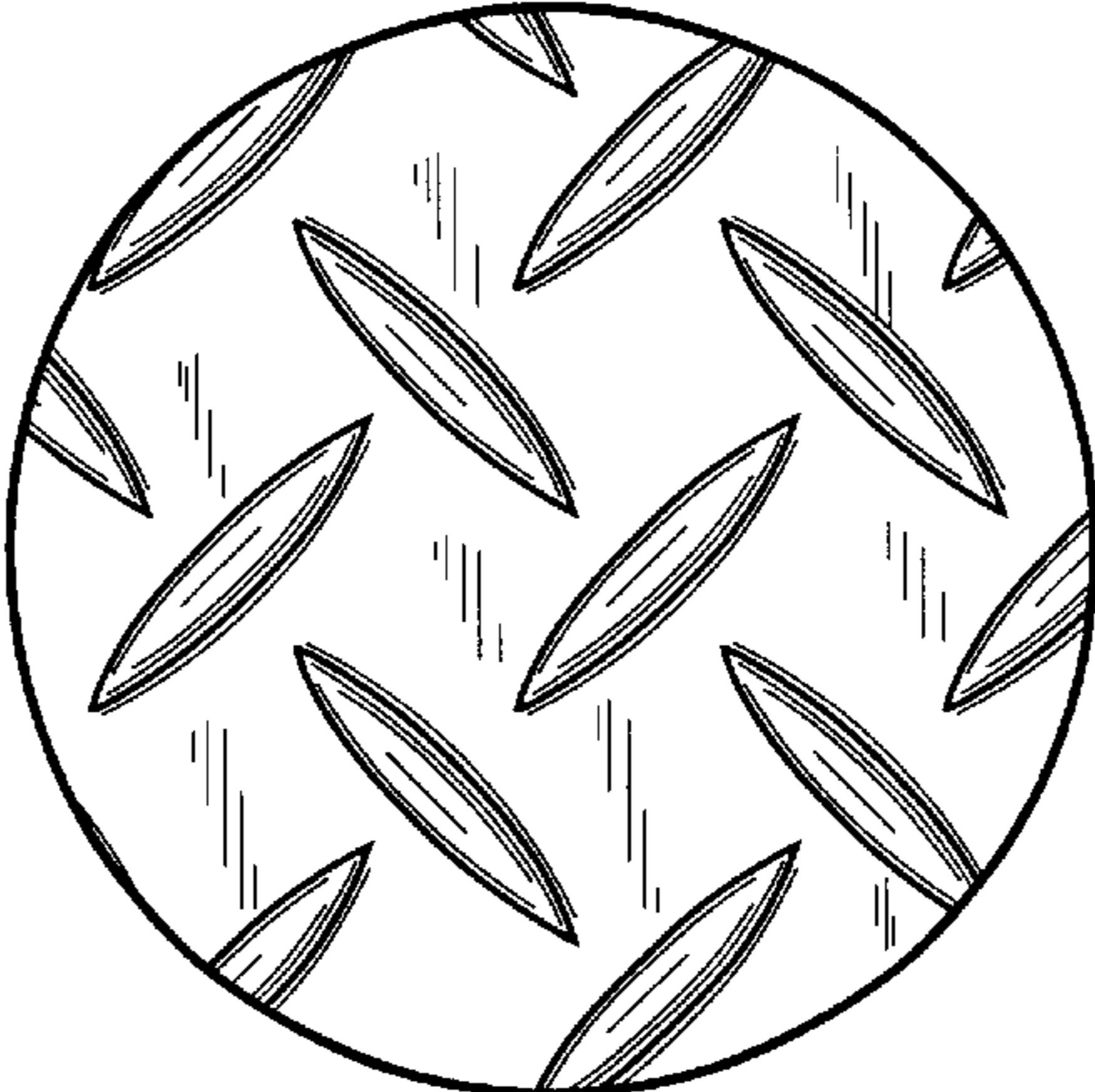


Fig. 4

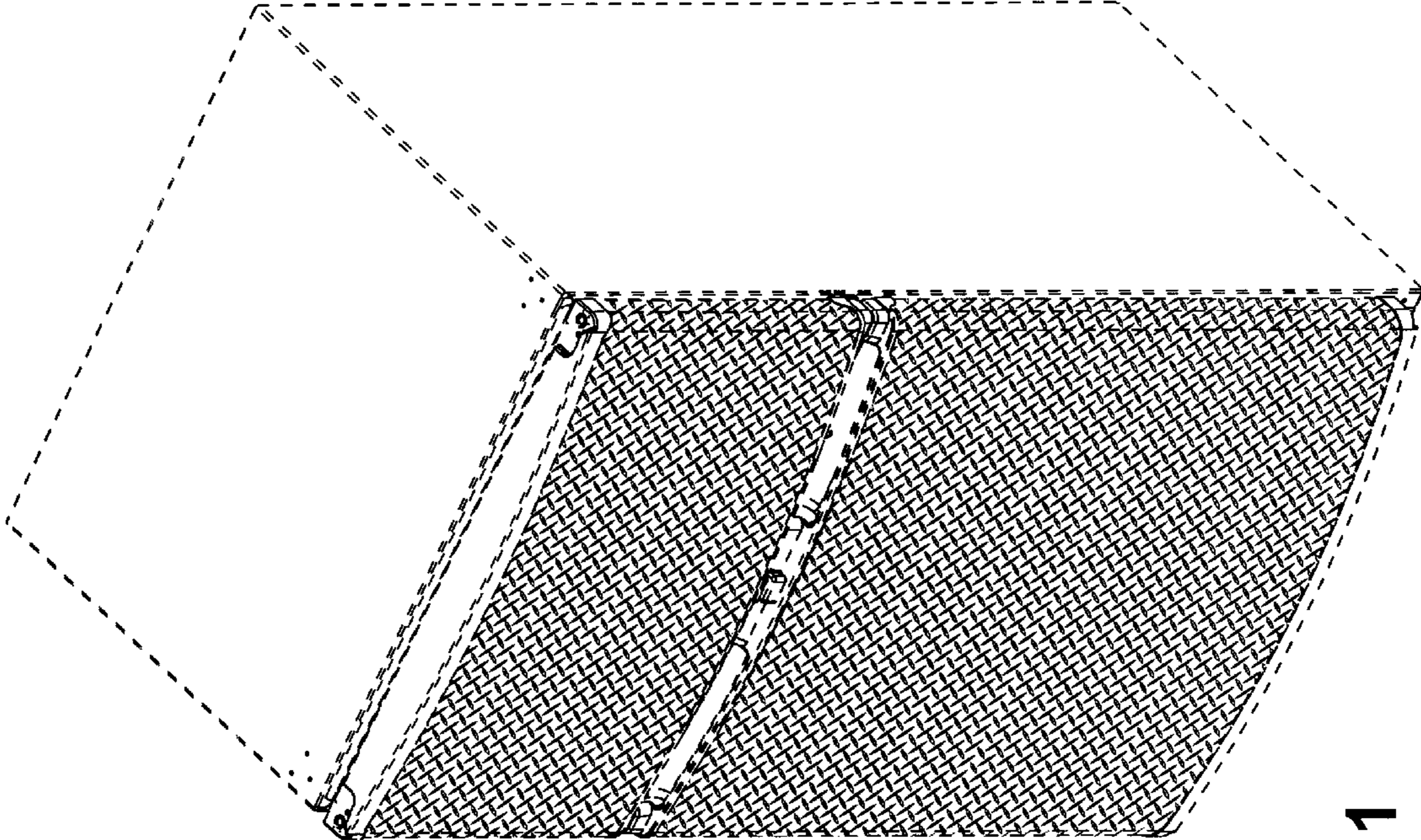


Fig. 1

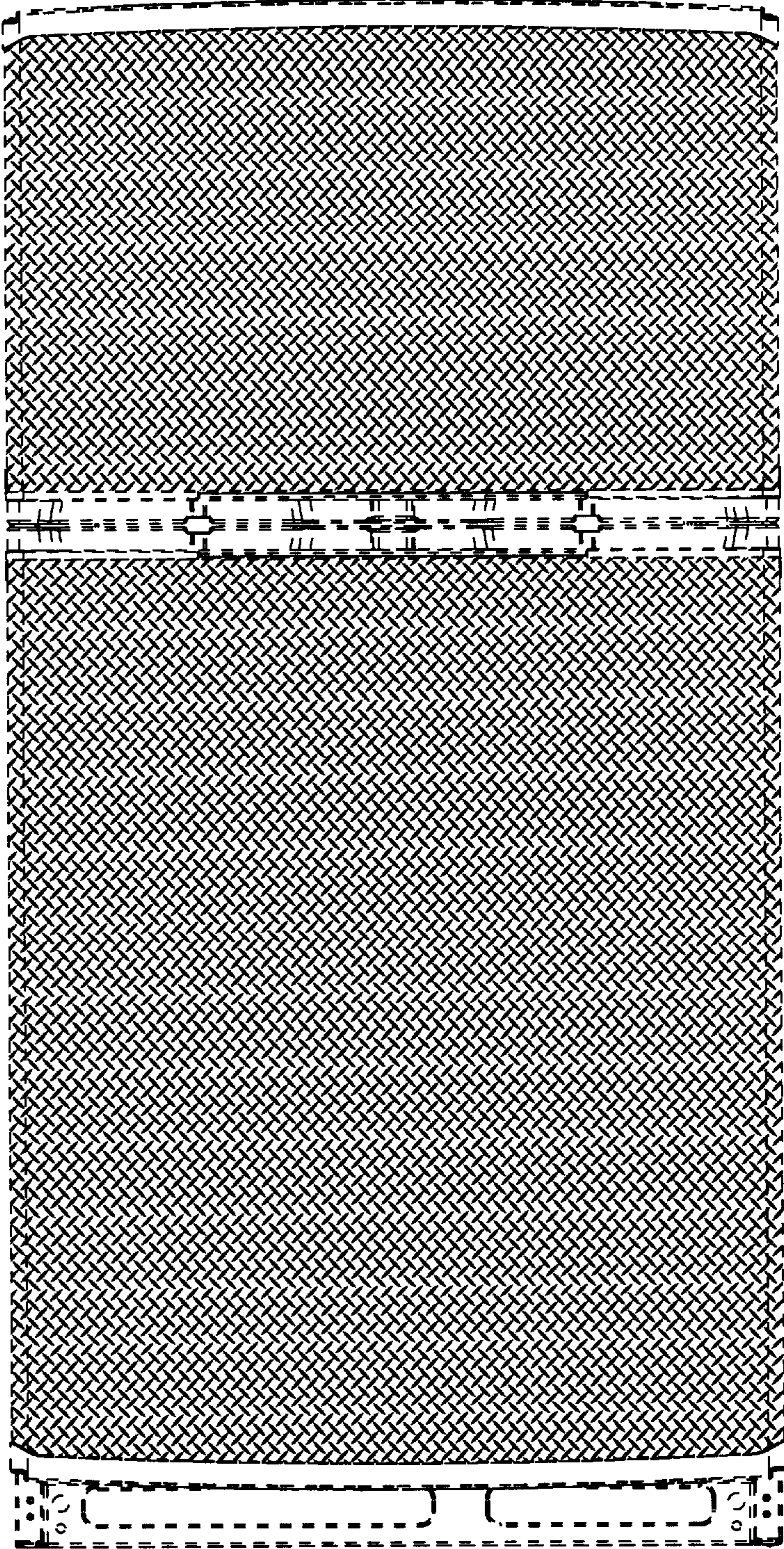


Fig. 2

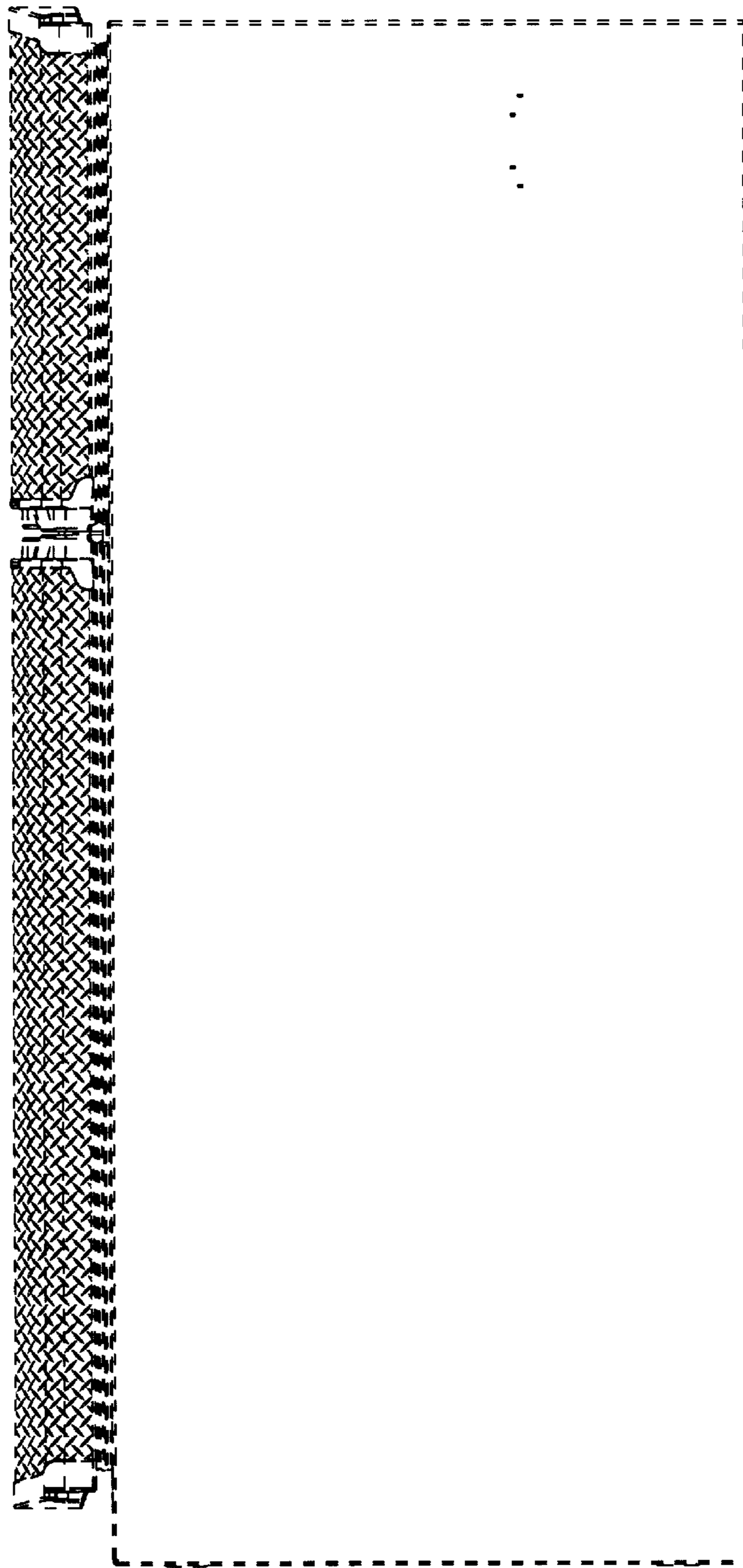


Fig. 3

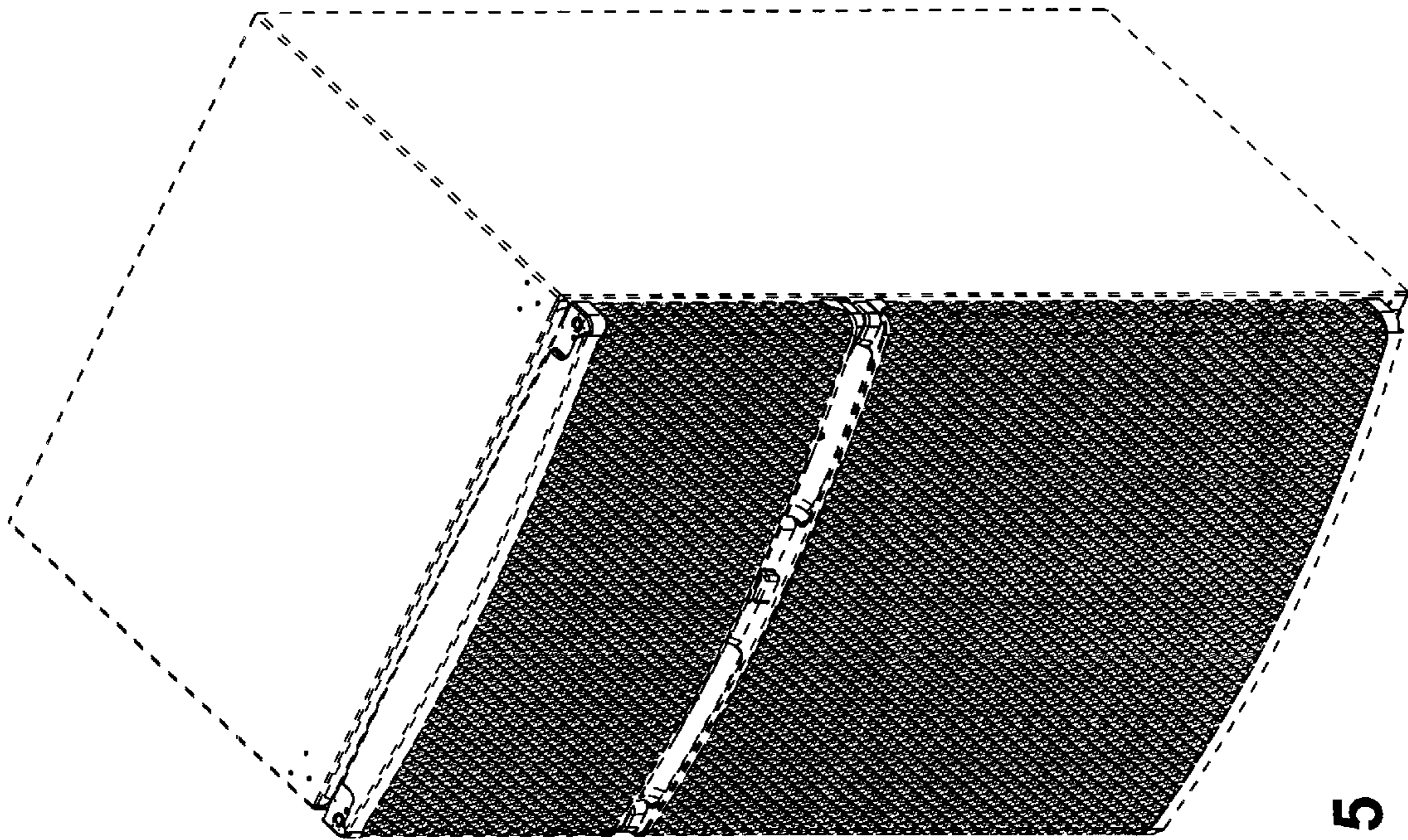


Fig. 5

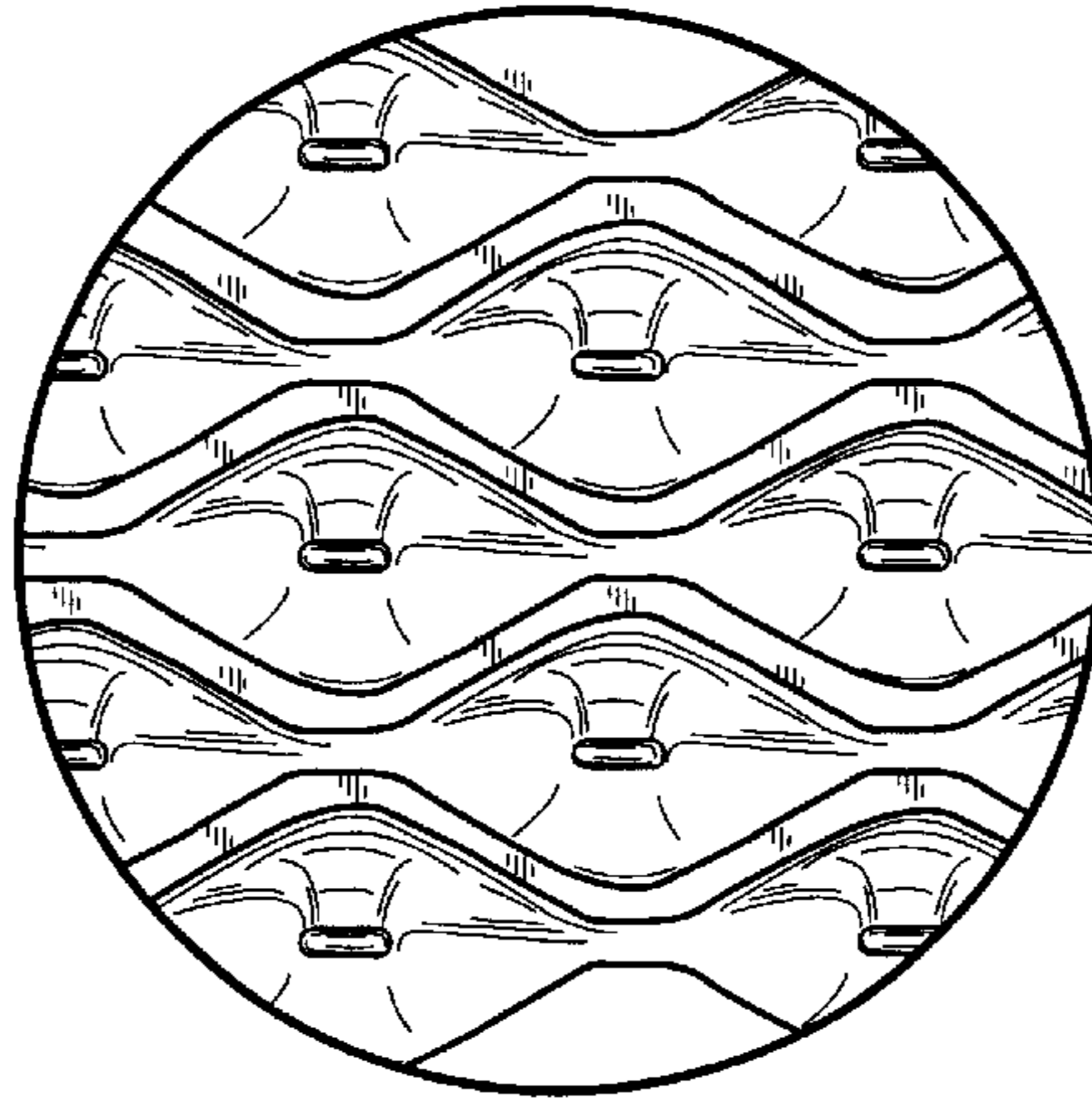


Fig. 6

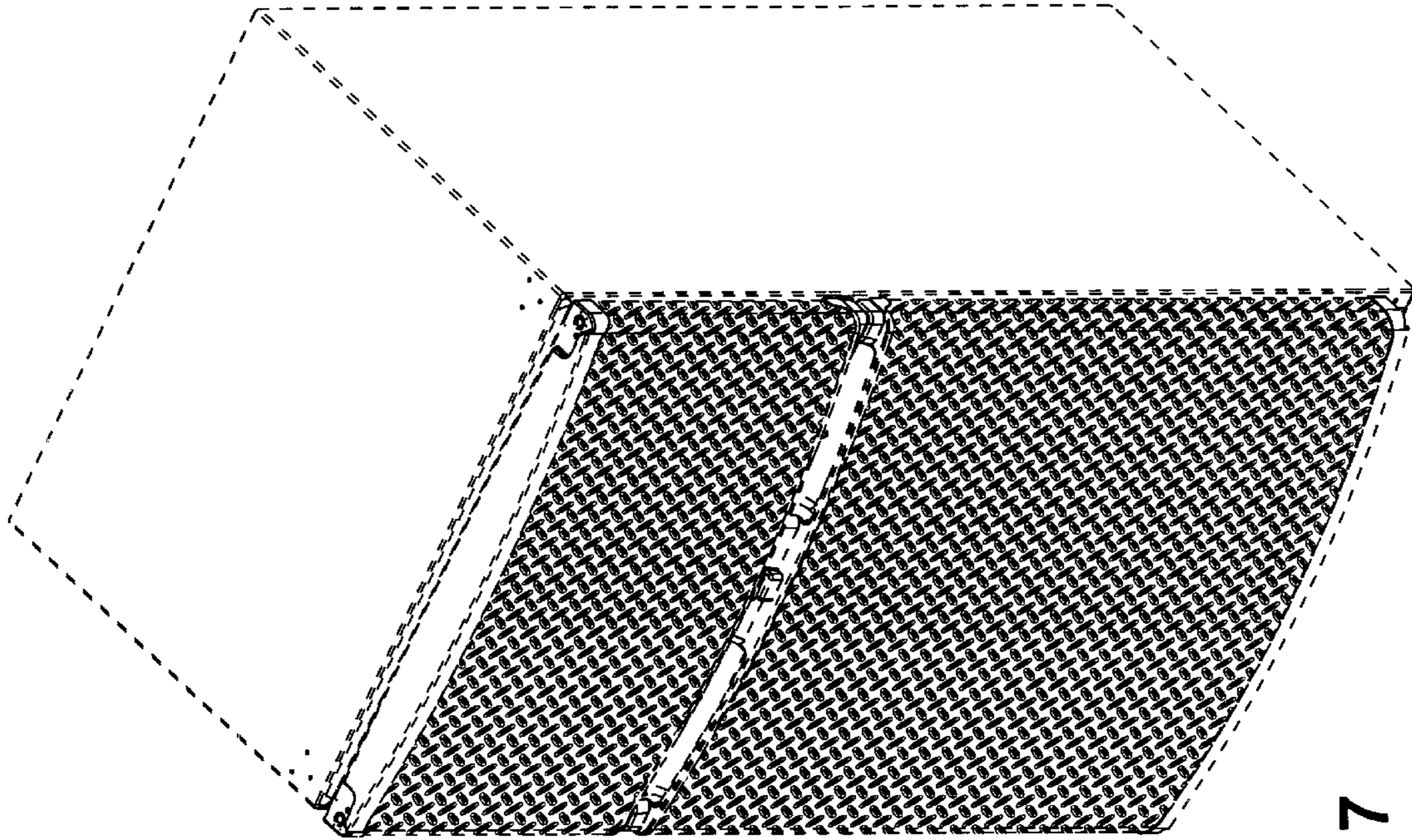


Fig. 7

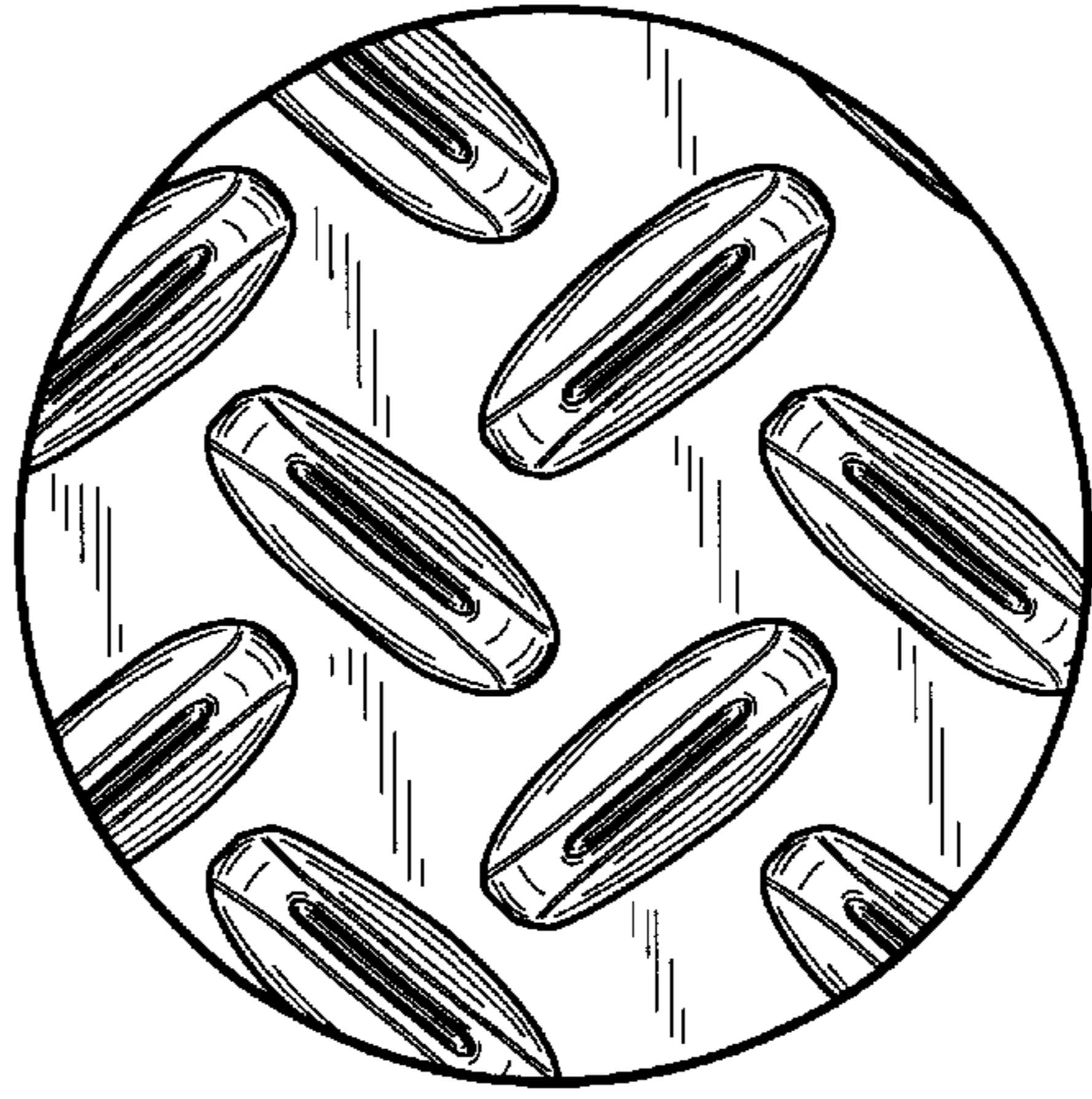


Fig. 8

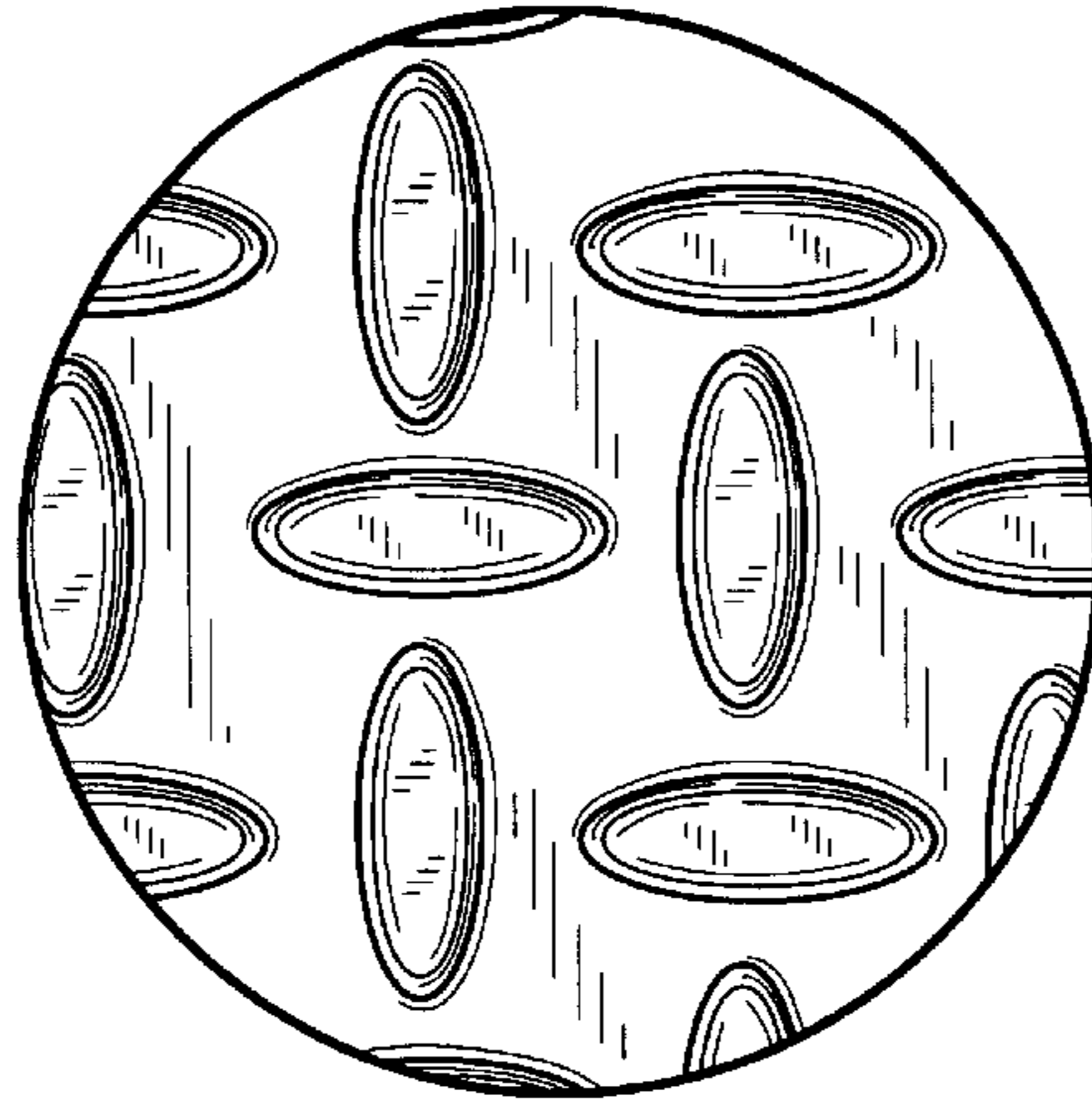


Fig. 10

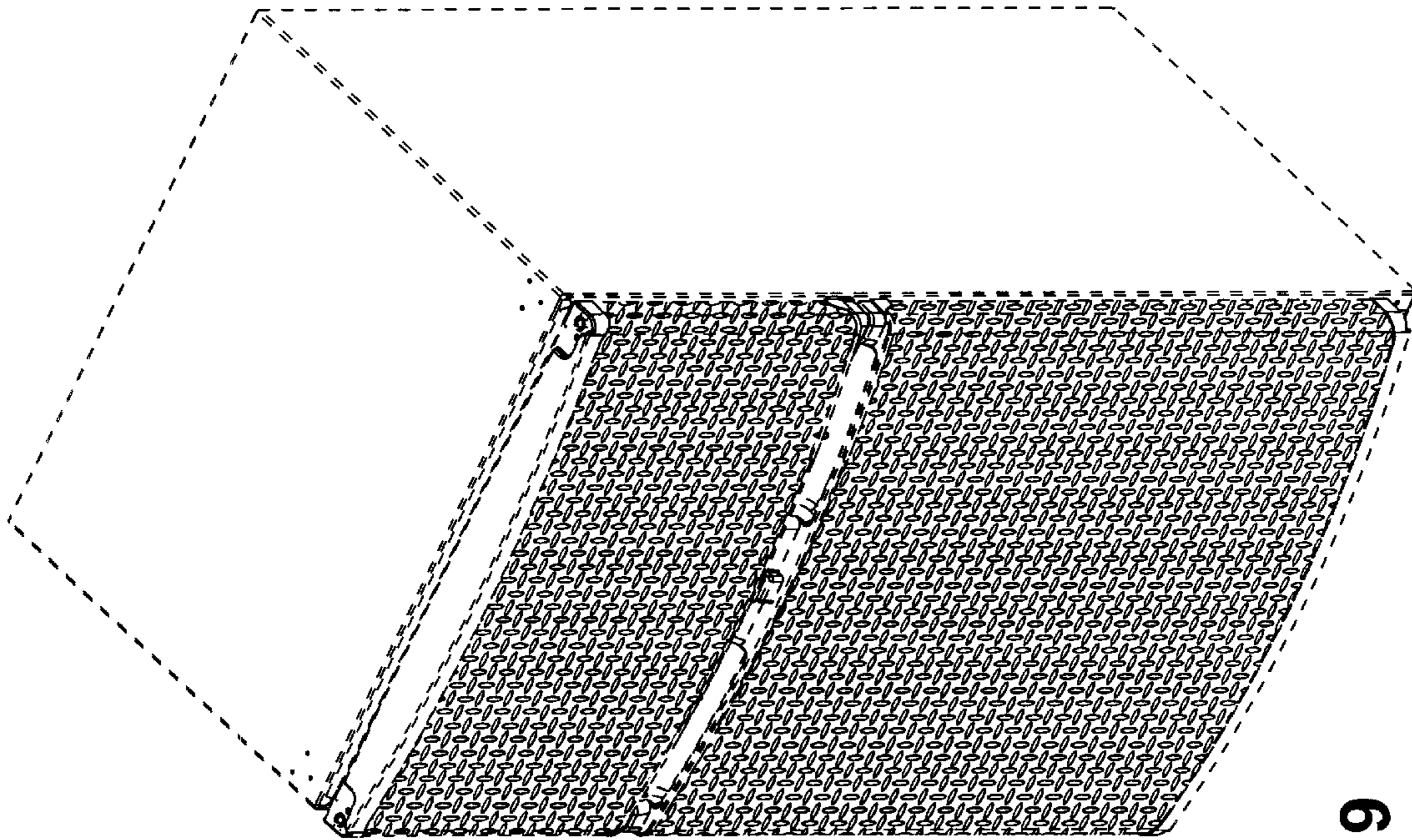


Fig. 9

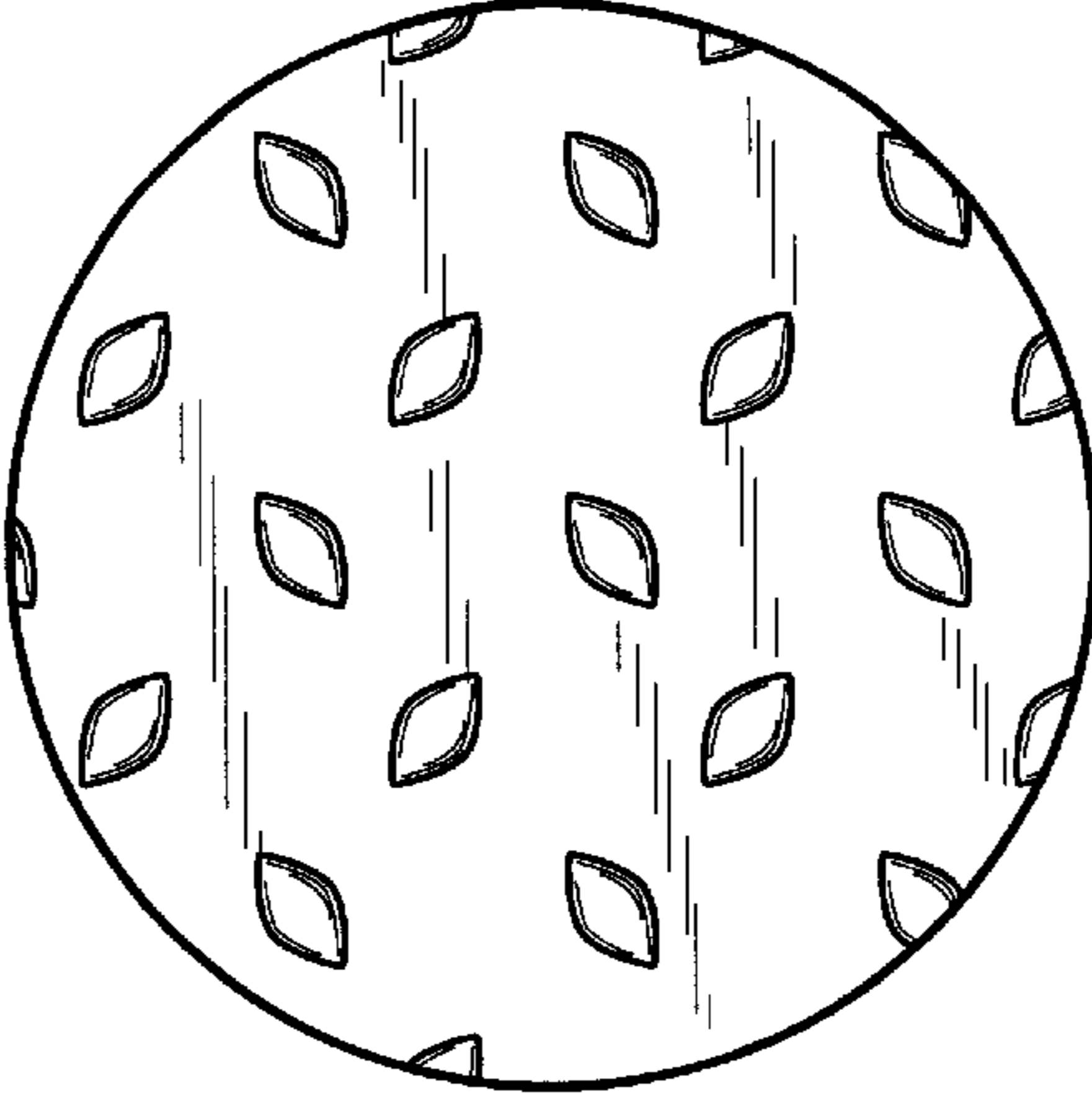


Fig. 12

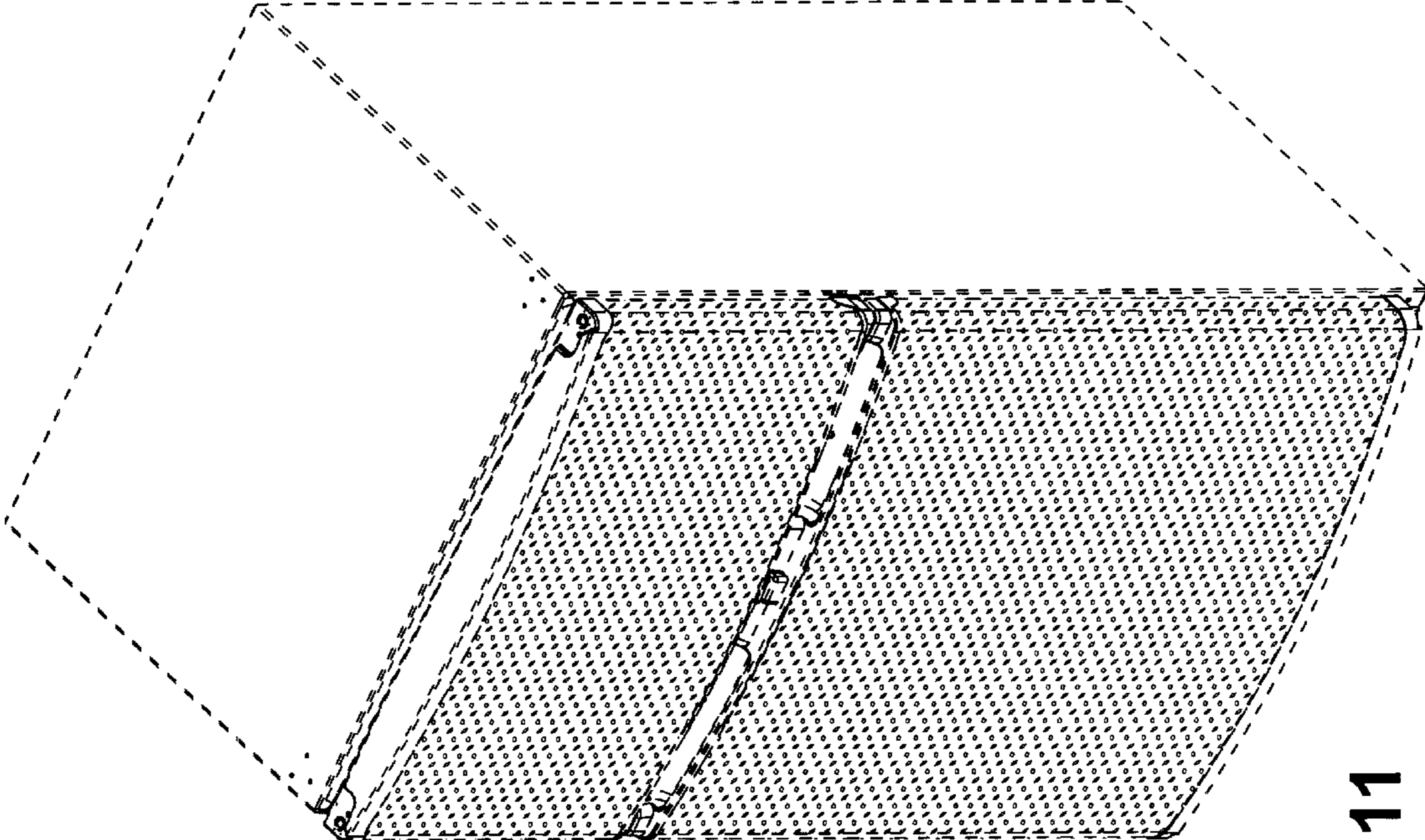


Fig. 11

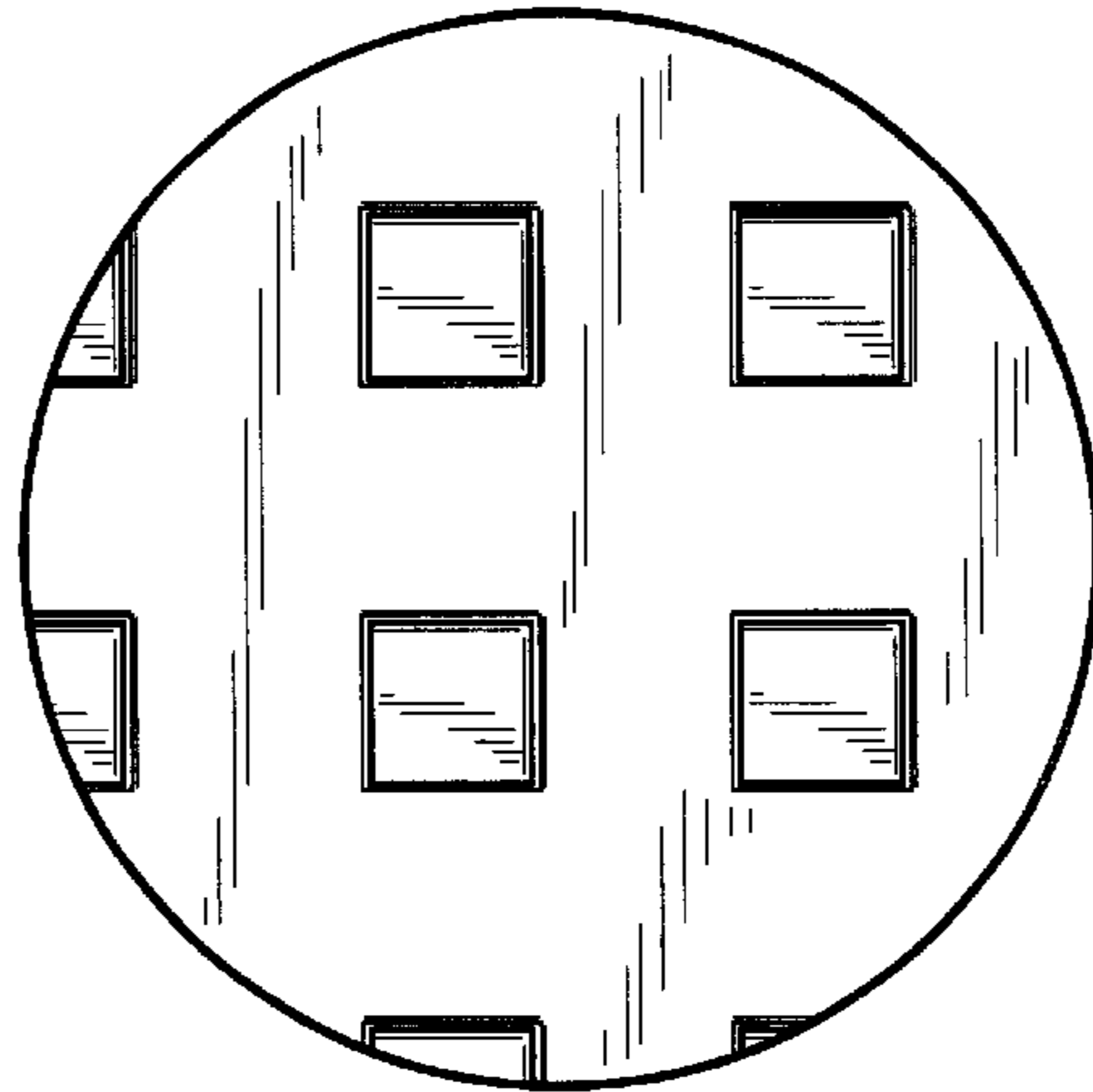


Fig. 14

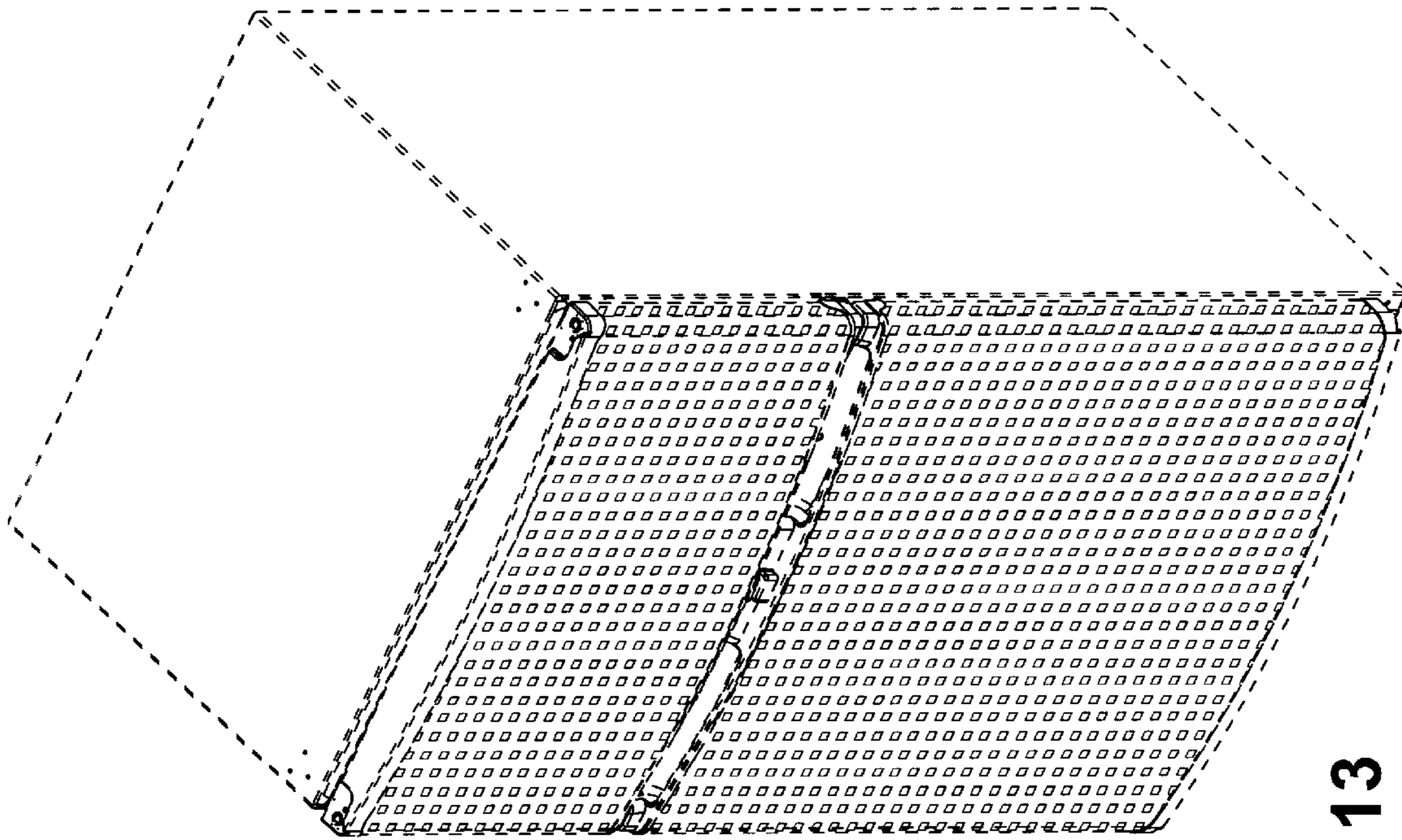


Fig. 13

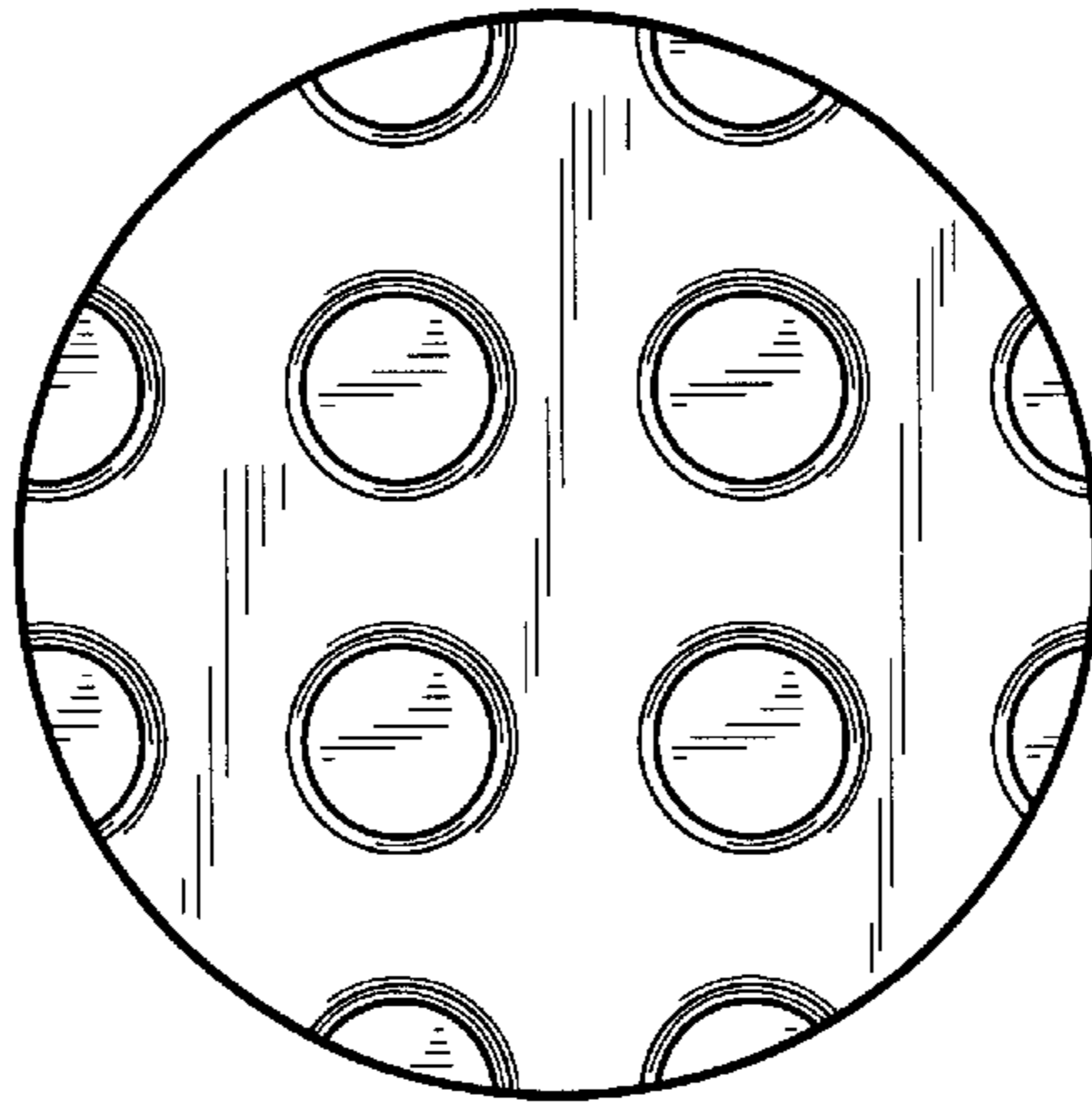


Fig. 16

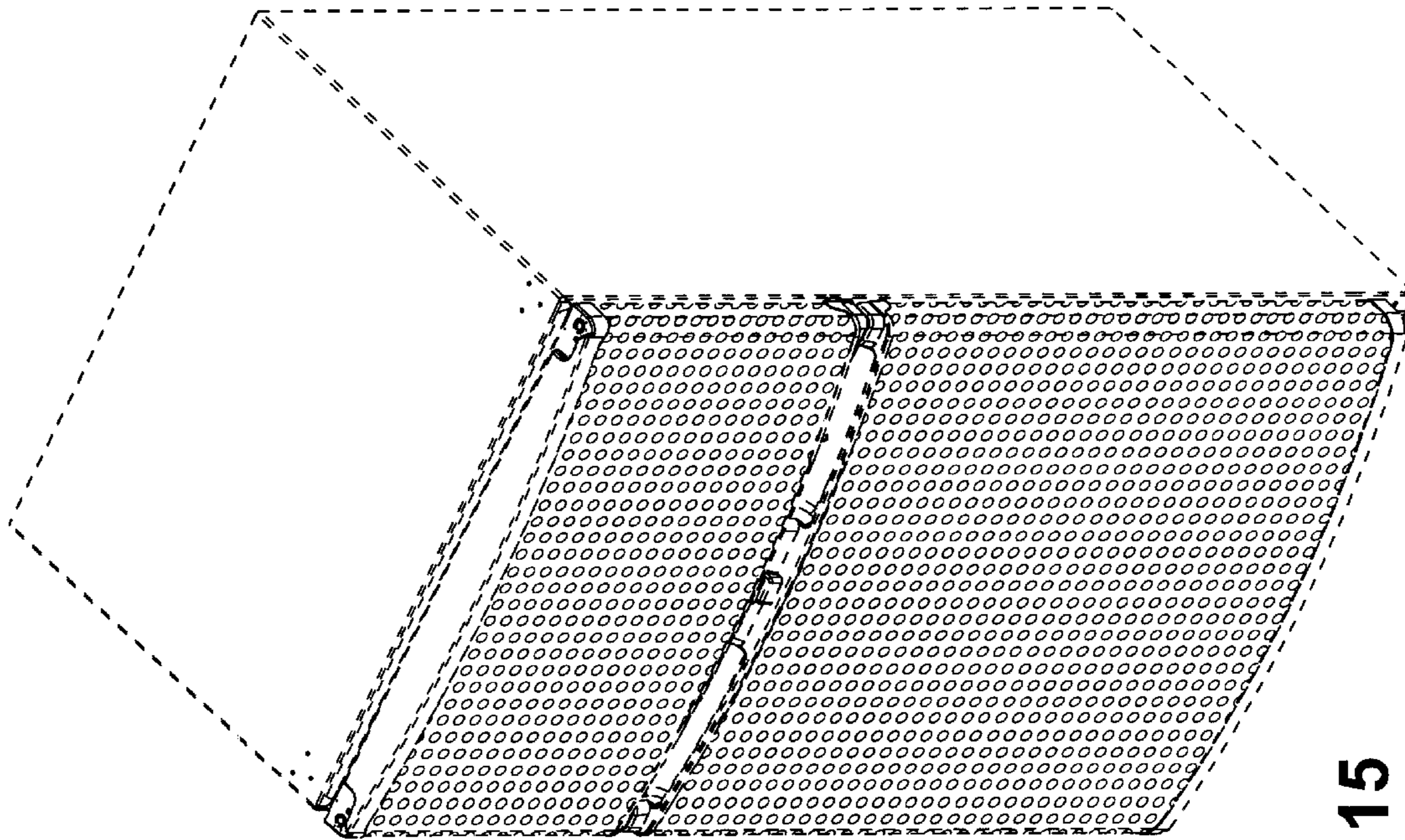


Fig. 15

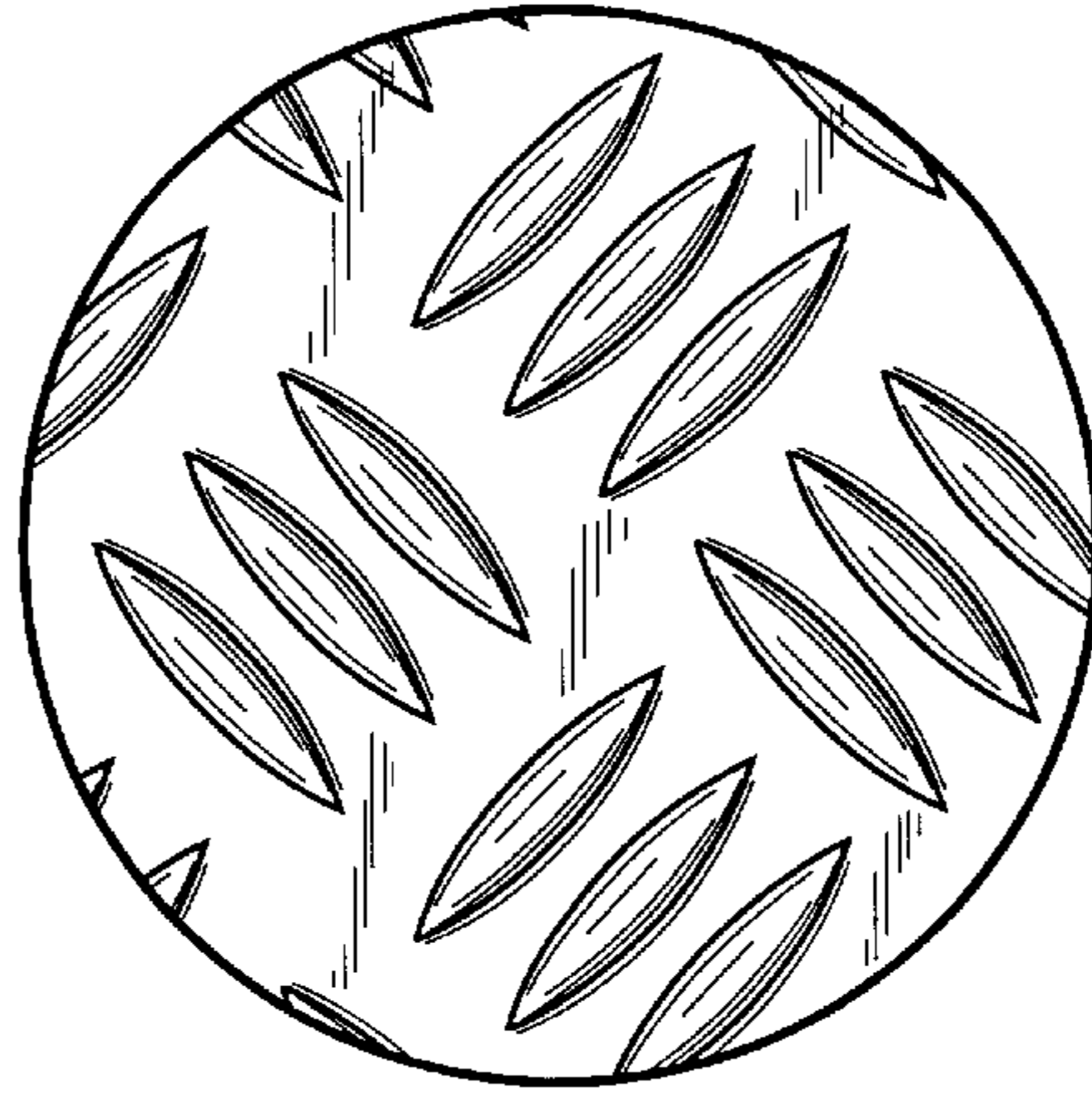


Fig. 18

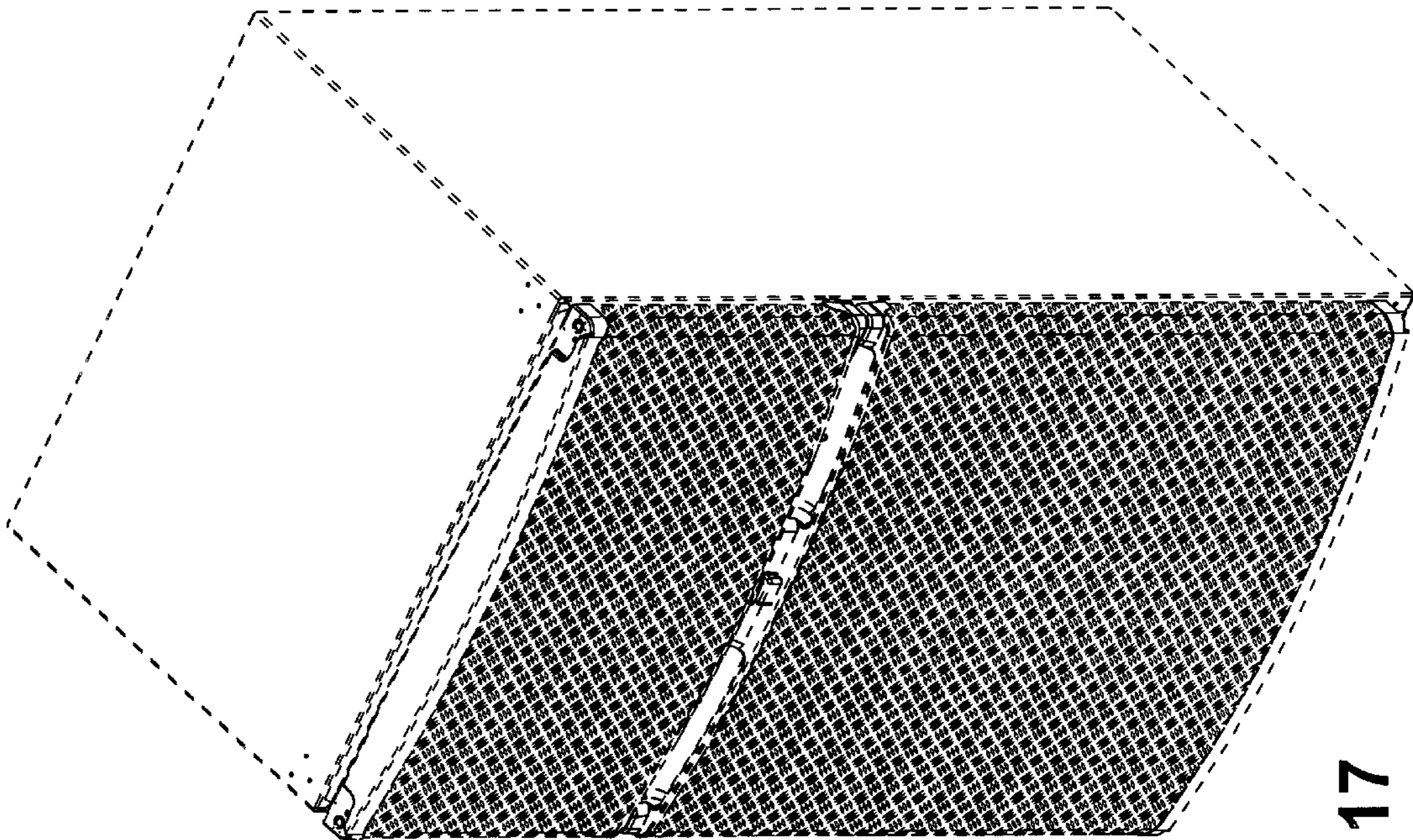


Fig. 17

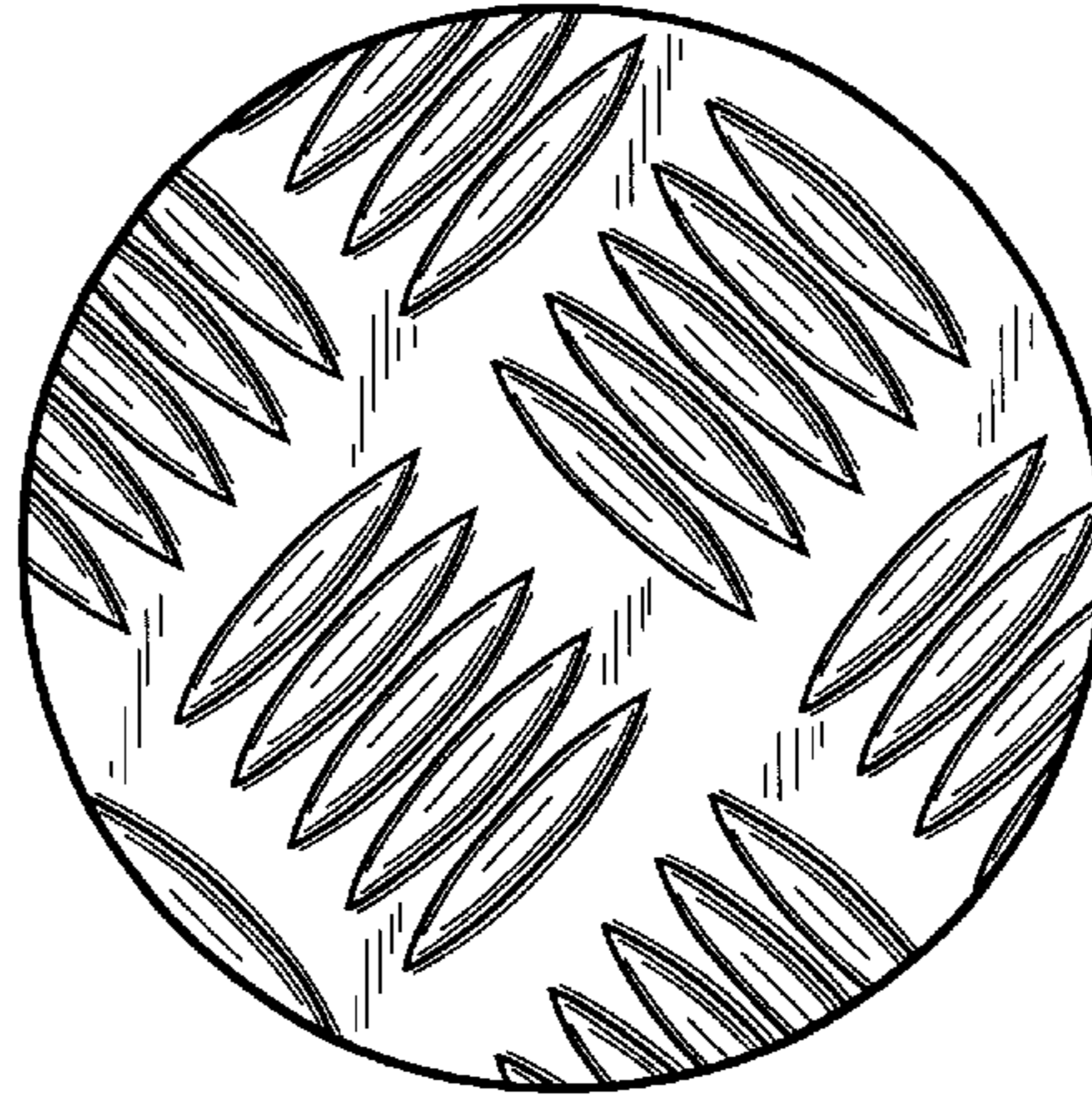


Fig. 20

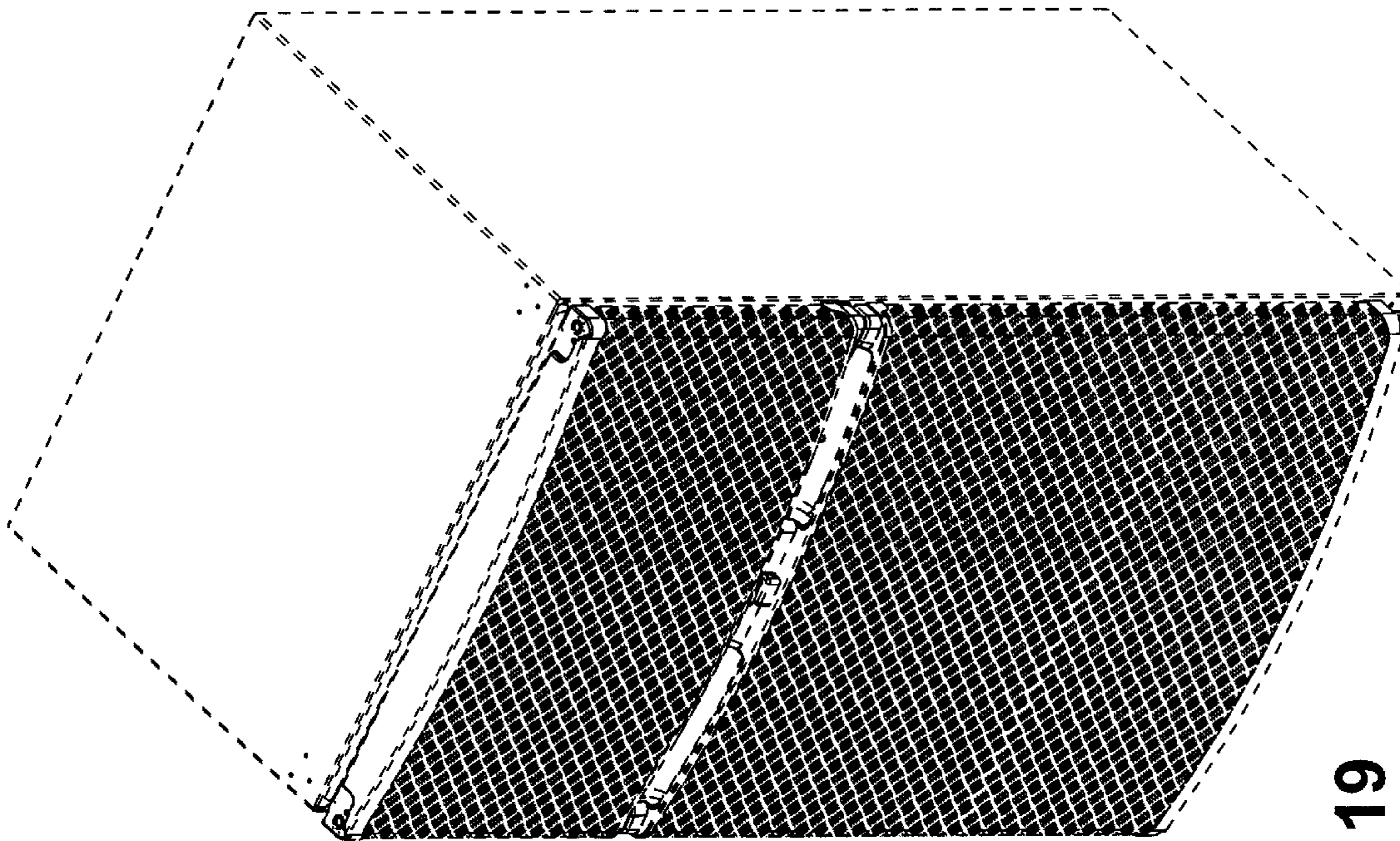


Fig. 19

UNITED STATES PATENT AND TRADEMARK OFFICE
CERTIFICATE OF CORRECTION

PATENT NO. : Des. 536,713 S
APPLICATION NO. : 29/256545
DATED : February 13, 2007
INVENTOR(S) : Duane A. Schmidt et al.

Page 1 of 1

It is certified that error appears in the above-identified patent and that said Letters Patent is hereby corrected as shown below:

On the Title page, item 62, under "Related U.S. Application Data", add the following to the end of the sentence: -- ; which is a division of design application 29/223,288 filed on Feb. 11, 2005, now Pat. No. Des. 517,574; which is a division of design application 29/203,802 filed on Apr. 20, 2004, now Pat. No. Des. 505,962; which is a division of design application 29/173,435 filed on Dec. 30, 2002, now Pat. No. Des. 491,585 --.

Signed and Sealed this

Eighteenth Day of November, 2008

A handwritten signature in black ink that reads "Jon W. Dudas". The signature is written in a cursive style with a large, looped initial "J".

JON W. DUDAS

Director of the United States Patent and Trademark Office