



US00D536711S

(12) **United States Design Patent** (10) **Patent No.:** **US D536,711 S**
Sundheim et al. (45) **Date of Patent:** **** Feb. 13, 2007**

(54) **PORTABLE, REFRIGERANT RECOVERY UNIT**

(75) Inventors: **Gregory S. Sundheim**, 5170 Juniper St., Bowmar, CO (US) 80123; **Robert M Morris**, Lakewood, CO (US)

(73) Assignee: **Gregory S. Sundheim**, Bowmar, CO (US)

(**) Term: **14 Years**

(21) Appl. No.: **29/219,128**

(22) Filed: **Dec. 13, 2004**

(51) **LOC (8) Cl.** **15-07**

(52) **U.S. Cl.** **D15/79**

(58) **Field of Classification Search** D15/79, D15/81; D9/527; 440/88 R; 312/3.6, 116, 312/138.1, 236, 405, 406; 62/125, 126
See application file for complete search history.

(56) **References Cited**

U.S. PATENT DOCUMENTS

235,905 A	12/1880	Schultz	
2,491,351 A	12/1949	Zeitlin	
3,067,624 A	12/1962	Norton et al.	
3,191,503 A	6/1965	Fuehrer	
3,451,276 A	6/1969	Wadlow et al.	
3,820,924 A	6/1974	Cassidy	
3,834,840 A	9/1974	Hartley	
3,952,709 A	4/1976	Riddel	
3,990,819 A	11/1976	Ritchie	
4,032,270 A	6/1977	Sheth et al.	
4,299,097 A	11/1981	Shank et al.	
4,408,968 A	10/1983	Inagaki et al.	
4,523,897 A	6/1985	Lower et al.	
4,559,838 A	12/1985	Neuenschwander	
4,608,002 A	8/1986	Hayase et al.	
4,631,006 A	12/1986	Murray	
5,017,108 A	5/1991	Murayama et al.	
5,078,017 A	1/1992	Zornes	
5,092,185 A	3/1992	Zornes et al.	
5,127,239 A	7/1992	Manz et al.	
5,310,326 A	5/1994	Gui et al.	
D358,548 S	* 5/1995	Platte D9/527

5,423,702 A	*	6/1995	Butler	440/88 R
D377,179 S	*	1/1997	Sundheim et al.	D15/79
5,846,059 A		12/1998	Mizuno et al.		
6,099,259 A		8/2000	Monk et al.		
6,126,410 A		10/2000	Kung et al.		
D474,209 S		5/2003	Seymour et al.		
D481,741 S	*	11/2003	Yuen	D15/81
D482,373 S		11/2003	Seymour et al.		

OTHER PUBLICATIONS

Welch Direct Drive Vacuum Pumps, 2003, Labconco Corporation, Kansas City, MO.
 CPS 2003—Professional Air Conditioning & Refrigeration Products, 2003, p. 14, CPS Products, Inc., Hialeah, FL.
 Promax Robinair, ATP 2004 HVAC/R Catalog, pp. 22–23, Advanced Test Products, Miramar, FL.
 Greg Sundheim, Helpful Hints for Refrigerant Recovery, Contracting Business, Feb. 1997, Penton Publishing Inc., Cleveland, OH.
 Refrigerant Recovery, 1998, Promax/Amprobe, Englewood, CO.
 Stinger 2000—Universal Refrigerant Recovery System, pp. 4–5 and 16, 2000, United Kingdom.
 OZ Refrigerant Recovery System—Powermax, ThermaFlo, Springfield, MA, 2003.

* cited by examiner

Primary Examiner—Stella Reid
Assistant Examiner—Shanda C. Hill
 (74) *Attorney, Agent, or Firm*—W. Scott Carson

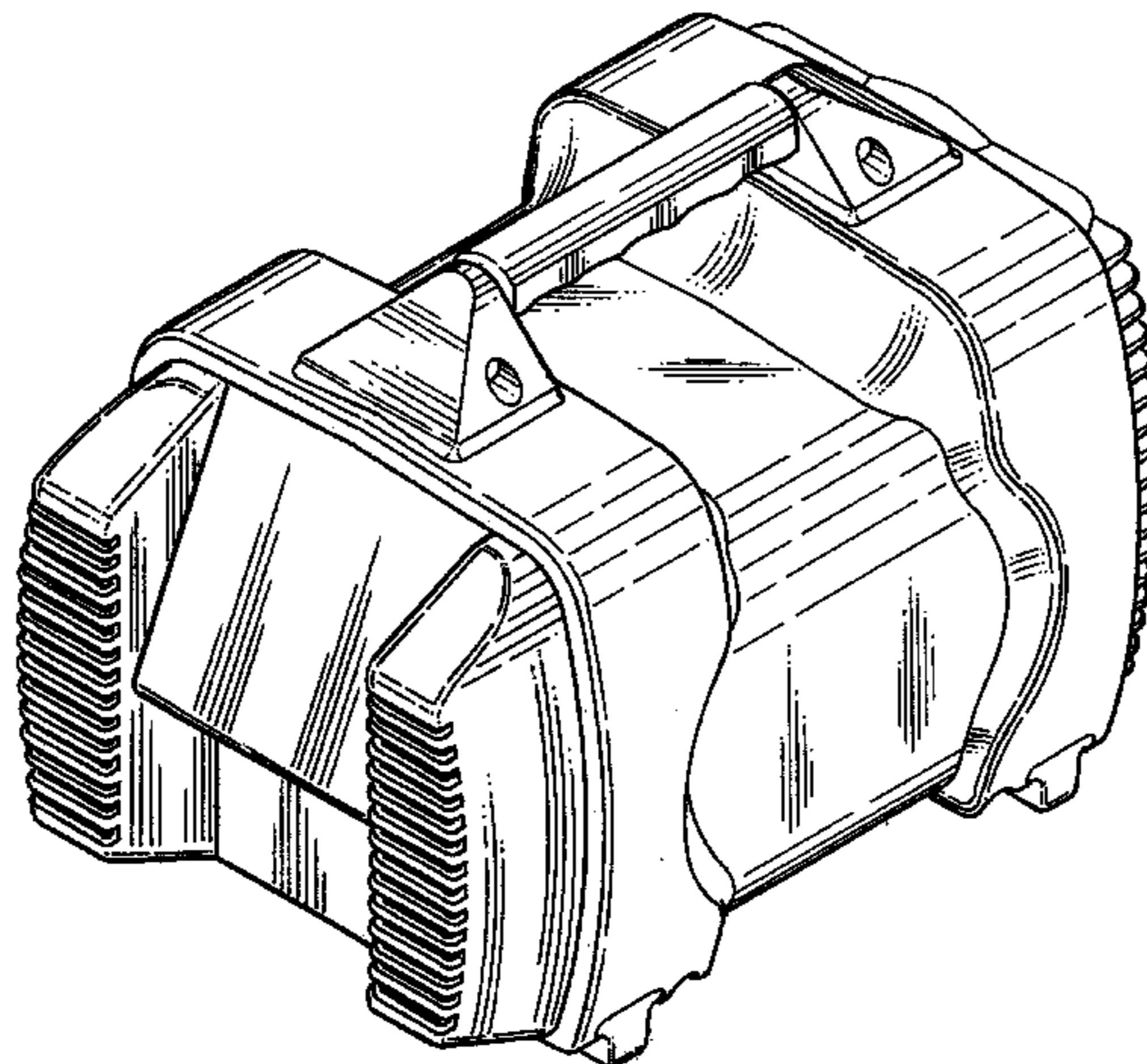
(57) **CLAIM**

The ornamental design for a portable, refrigerant recovery unit, as shown.

DESCRIPTION

FIG. 1 is a perspective view of a portable, refrigerant recovery unit showing our new design.
 FIG. 2 is a right side elevational view thereof, the left side view being a mirror image thereof.
 FIG. 3 is a front view thereof.
 FIG. 4 is a top plan view thereof.
 FIG. 5 is a bottom plan view thereof; and,
 FIG. 6 is a rear view thereof.

1 Claim, 6 Drawing Sheets



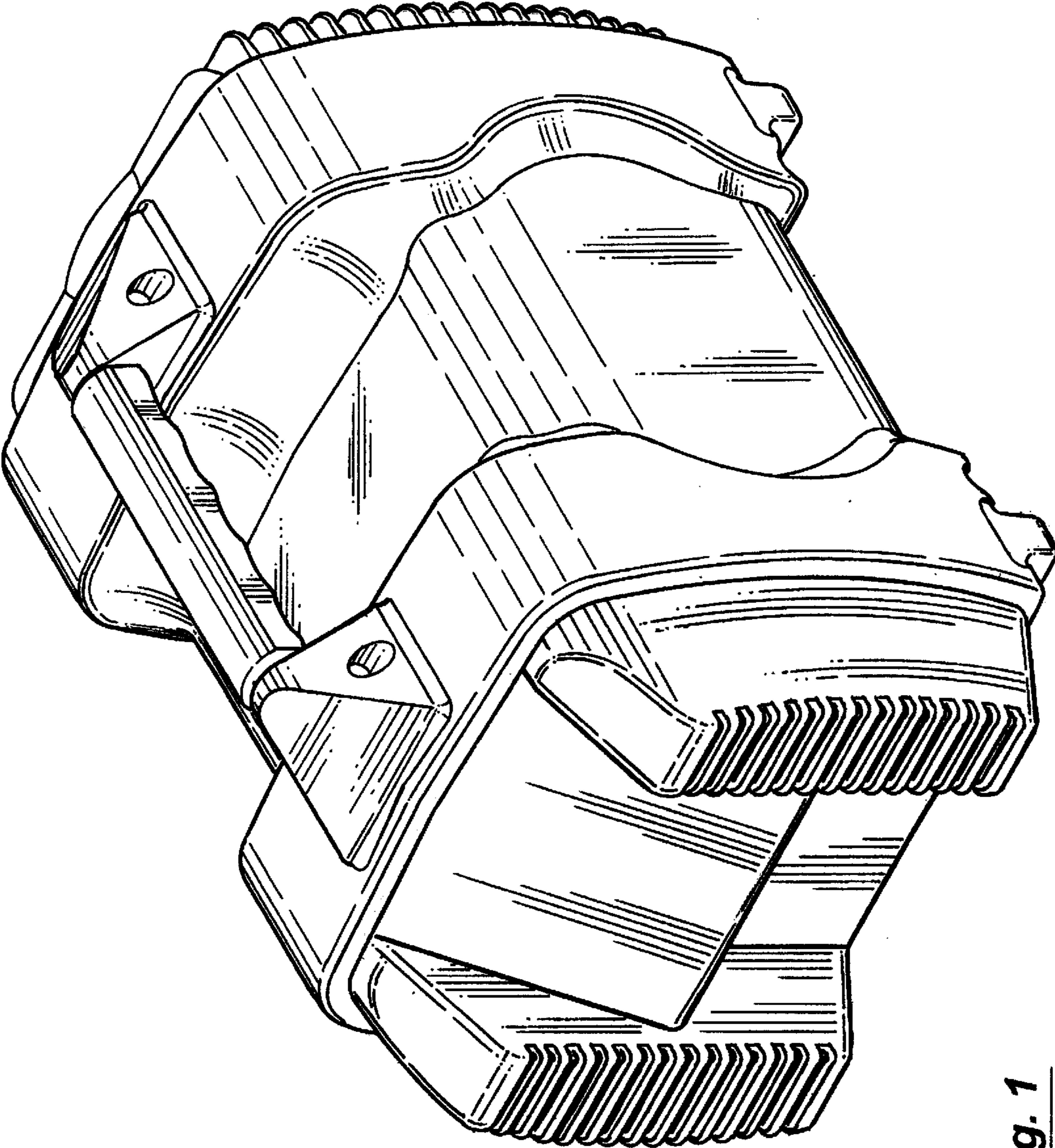


Fig. 1

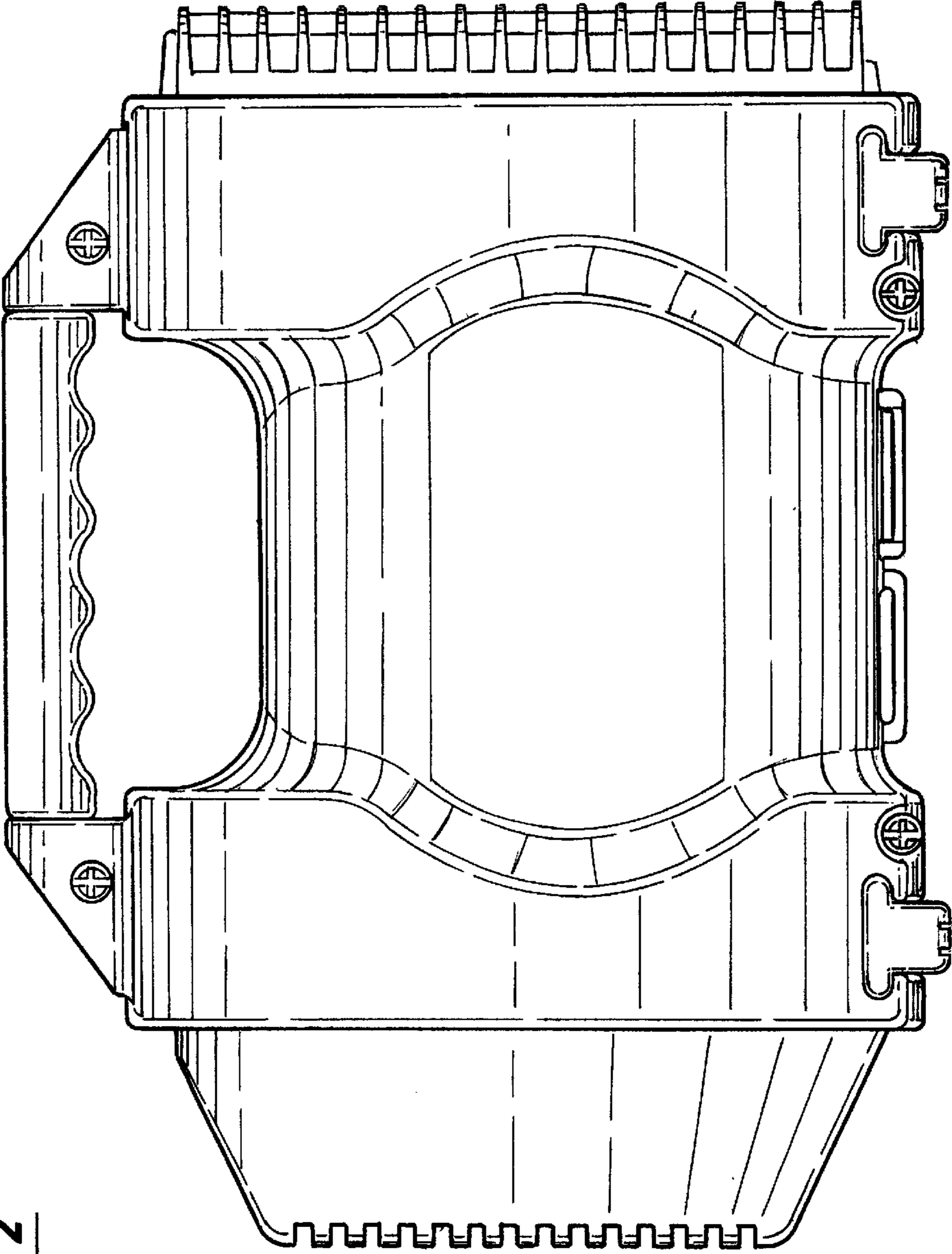


Fig. 2

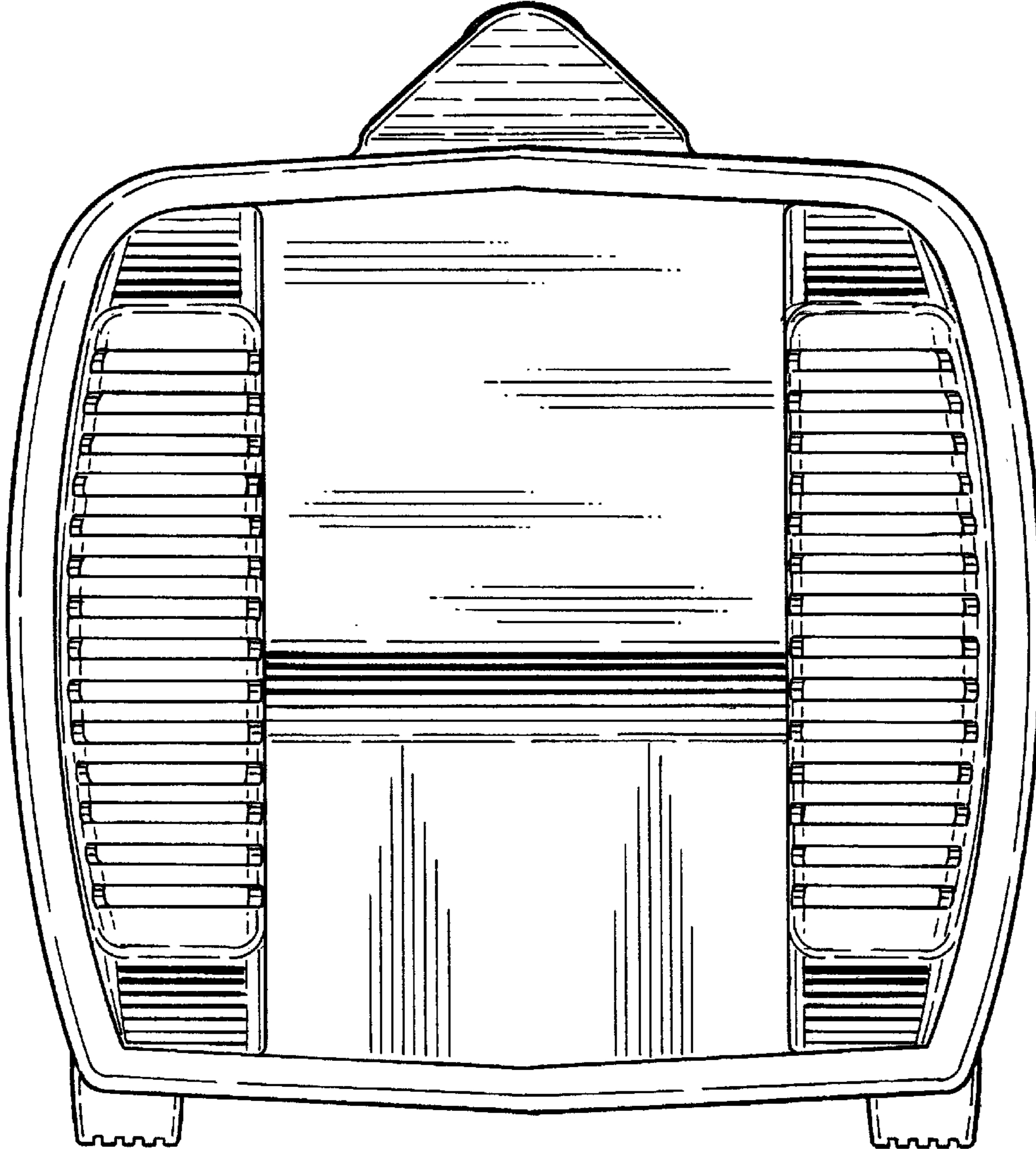


Fig. 3

Fig. 4.

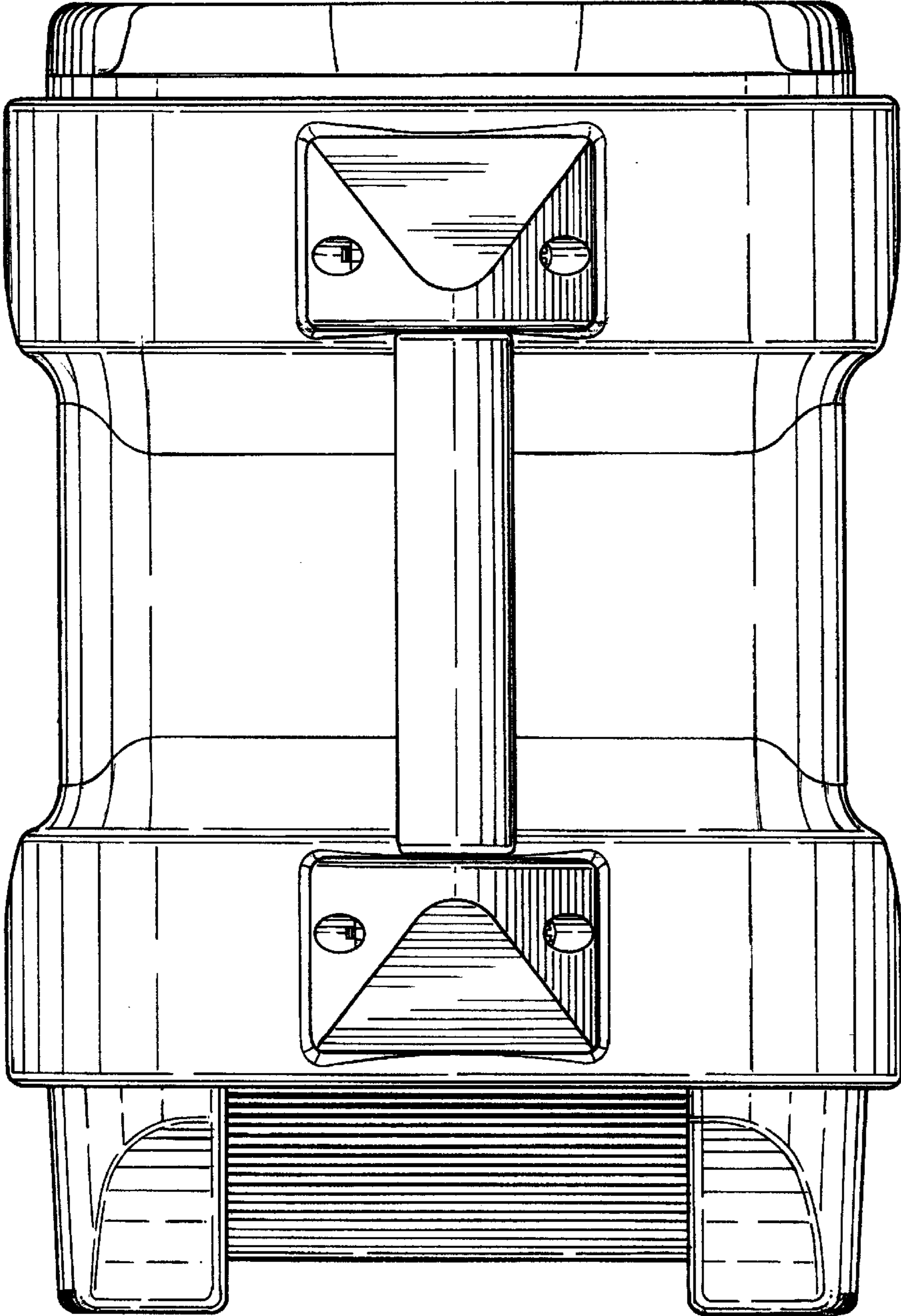
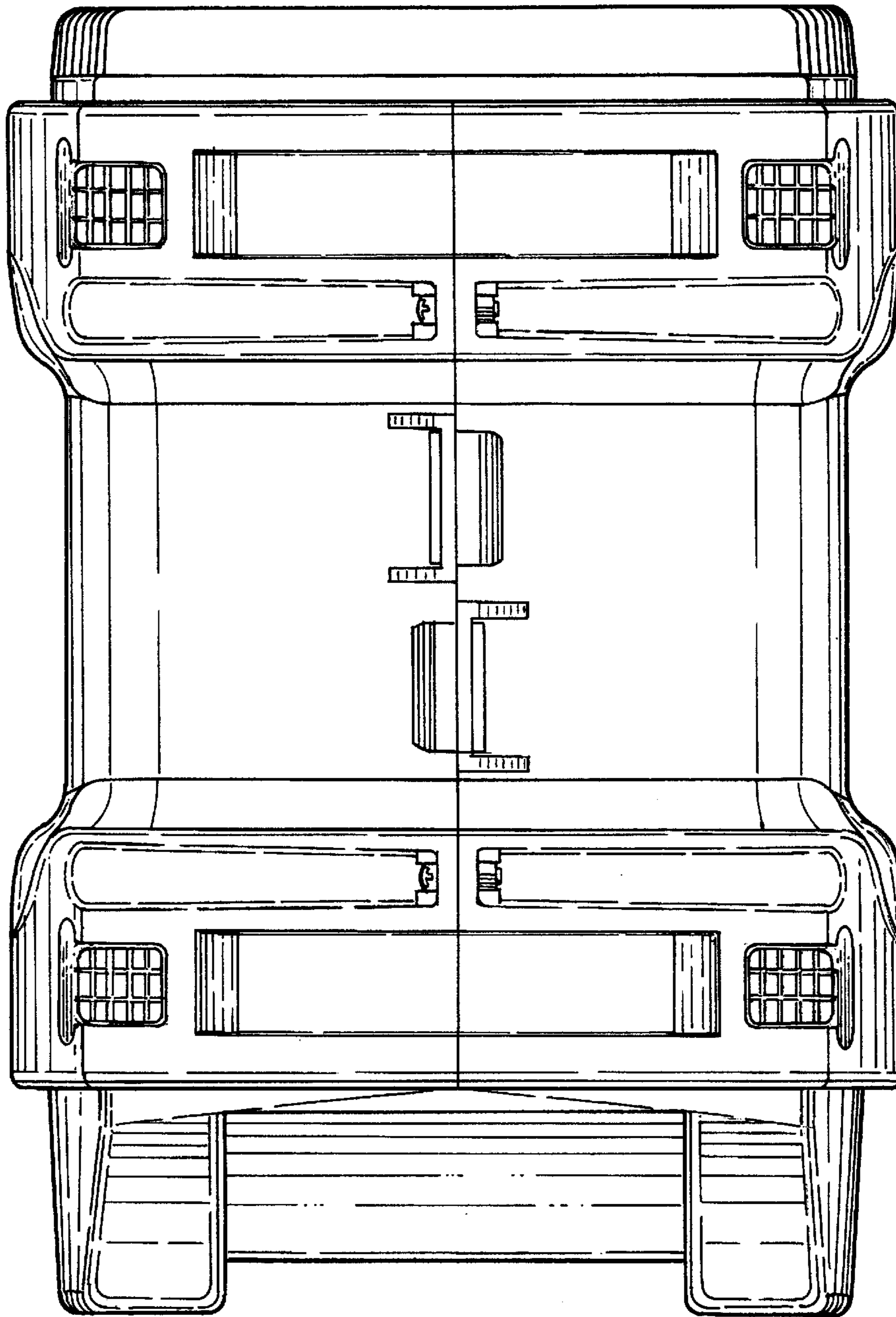


Fig.5



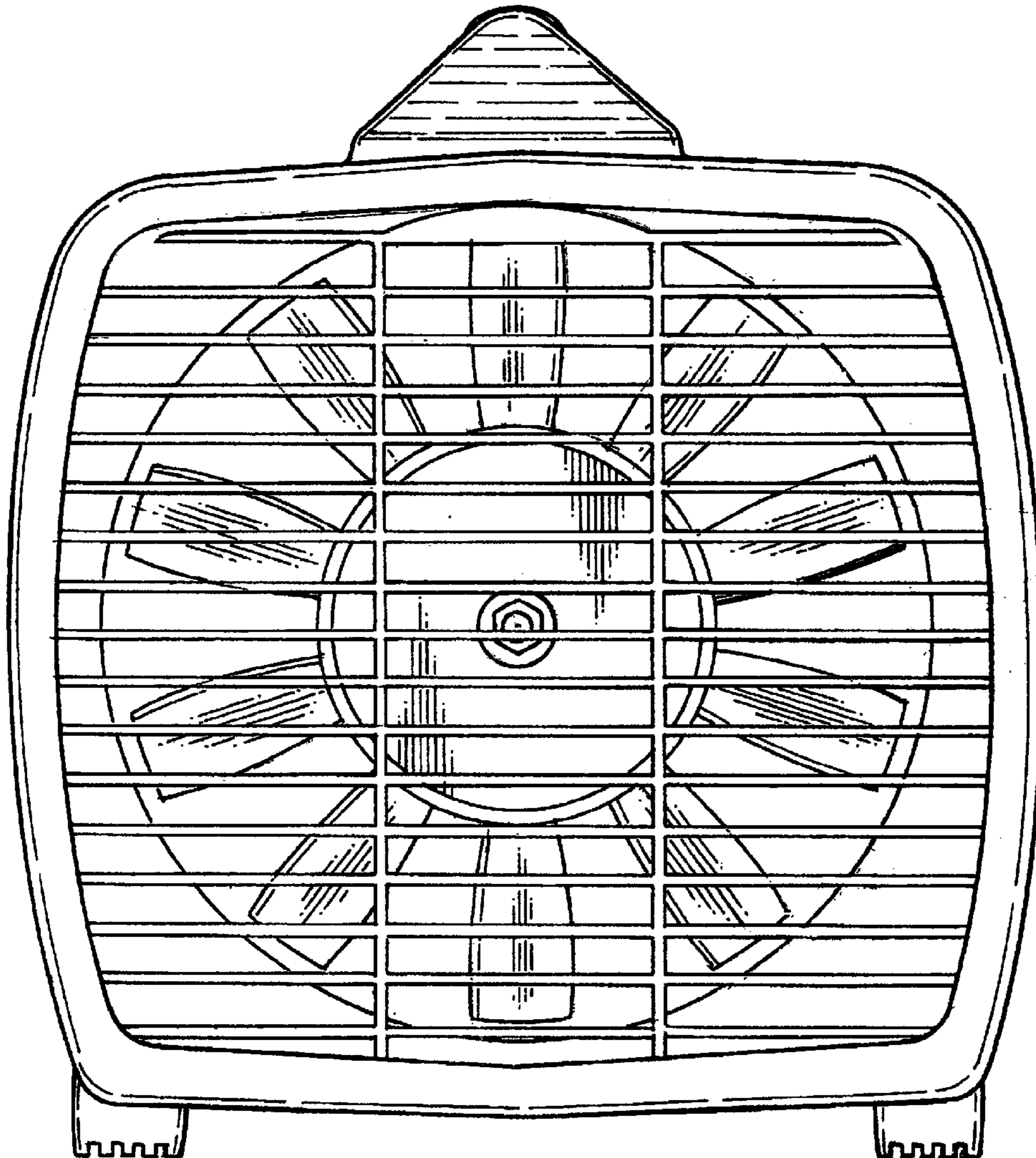


Fig. 6