



US00D536709S

(12) **United States Design Patent**
Kullhem et al.

(10) **Patent No.:** **US D536,709 S**

(45) **Date of Patent:** **** Feb. 13, 2007**

(54) **GANG TYPE ROTARY LAWNMOWER**

(75) Inventors: **Paul A. Kullhem**, 9883 Brookview Rd., Woodbury, MN (US) 55125; **Robert S. Kinkead, III**, St. Paul, MN (US); **Bradley H. Hines**, Andover, MN (US); **Steven J. Rossini**, Hugo, MN (US)

(73) Assignee: **Paul A. Kullhem**, Woodbury, MN (US)

(**) Term: **14 Years**

(21) Appl. No.: **29/243,273**

(22) Filed: **Nov. 22, 2005**

(51) **LOC (8) Cl.** **15-03**

(52) **U.S. Cl.** **D15/15**

(58) **Field of Classification Search** D15/10,
D15/14-18, 22, 23, 33; 56/6, 10.4, 15.5,
56/13.6, 12.7, 15.8, 200, 254, 255, 294, 302.01,
56/320.02, DIG. 22; 180/1, 89.1, 89.12, 900
See application file for complete search history.

(56) **References Cited**

U.S. PATENT DOCUMENTS

1,961,710	A	*	6/1934	Baptiste	56/7
2,285,306	A	*	6/1942	Roseman	56/7
D248,397	S	*	7/1978	Cognata et al.	D15/15
D331,243	S	*	11/1992	Woodhouse	D15/15
D340,459	S	*	10/1993	Kawakita et al.	D15/15
D340,936	S	*	11/1993	Matsuda et al.	D15/15
5,280,695	A	*	1/1994	Nunes et al.	56/6
5,297,378	A	*	3/1994	Smith	56/7
D359,740	S	*	6/1995	Crosby et al.	D15/15
D363,495	S	*	10/1995	Good et al.	D15/15
D365,349	S	*	12/1995	Katoh et al.	D15/15
5,502,957	A	*	4/1996	Robertson	56/11.9
D380,761	S	*	7/1997	Saylor	D15/15

D387,358	S	*	12/1997	Wolf	D15/15
D389,490	S	*	1/1998	Shimamura et al.	D15/15
5,771,669	A	*	6/1998	Langworthy et al.	56/6
D398,311	S	*	9/1998	Smith	D15/15
D409,208	S	*	5/1999	Eavenson et al.	D15/15
D409,628	S	*	5/1999	Shimamura et al.	D15/15
D442,972	S	*	5/2001	Wolf	D15/15
D450,330	S	*	11/2001	Katoh et al.	D15/15
6,530,198	B2	*	3/2003	Bergsten et al.	56/10.4
D486,160	S	*	2/2004	Higashikawa et al.	D15/15
D495,718	S	*	9/2004	Higashikawa	D15/15
2002/0040570	A1	*	4/2002	Walker et al.	56/11.9

* cited by examiner

Primary Examiner—Stella Reid
Assistant Examiner—Mark Goodwin

(57) **CLAIM**

The ornamental design for a gang type rotary lawnmower, as shown and described.

DESCRIPTION

The article is intended for use in mowing areas of lawn. FIG. 1 is a front right side perspective view of a gang type rotary lawnmower showing our new design, the broken line showing is for illustrative purposes only, and forms no part of the claimed design.

FIG. 2 is a left side elevational view of the gang type rotary lawnmower shown in FIG. 1.

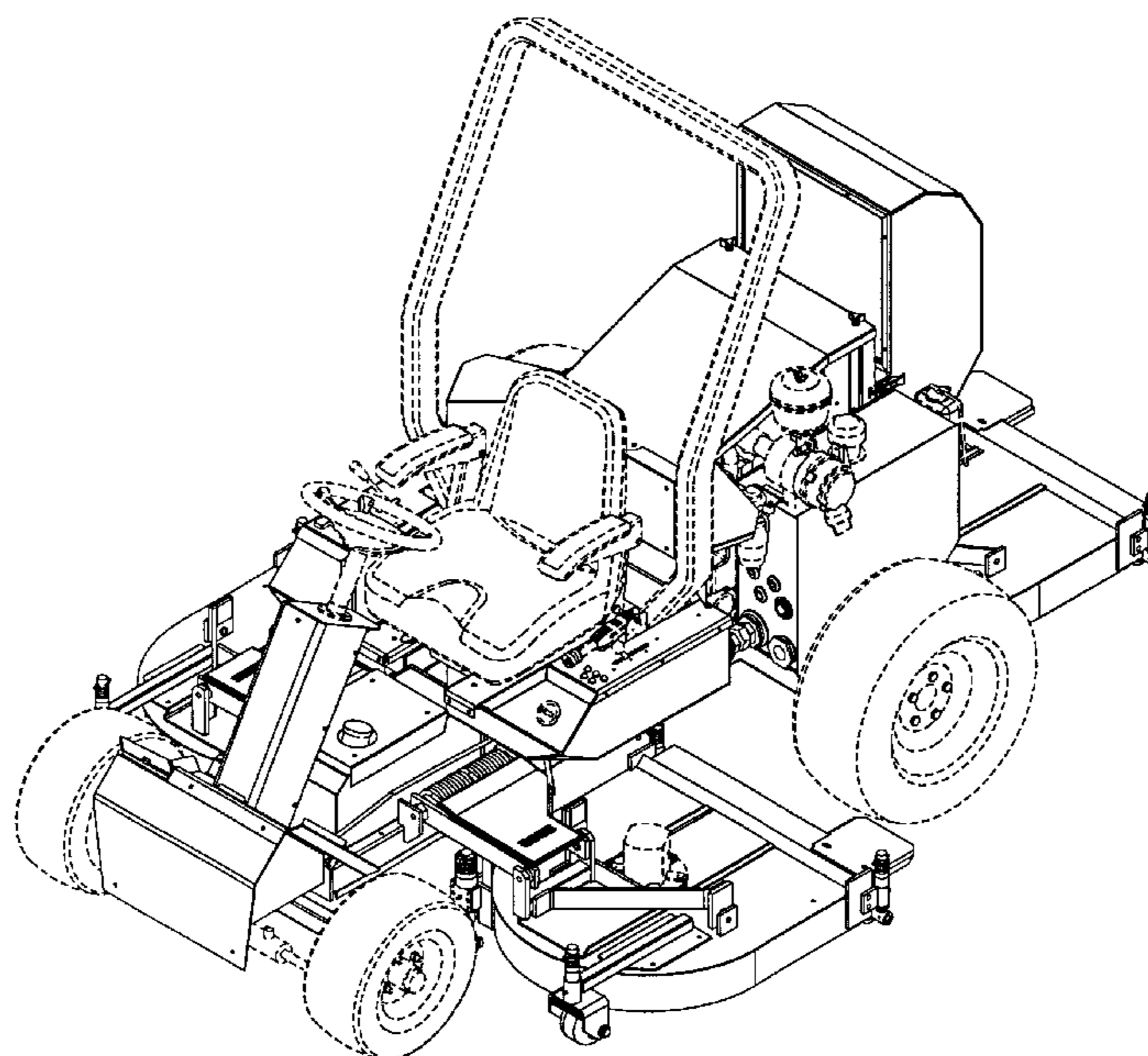
FIG. 3 is a right side elevational view of the gang type rotary lawnmower shown in FIG. 1.

FIG. 4 is a front elevational view of the gang type rotary lawnmower shown in FIG. 1.

FIG. 5 is a rear elevational view of the gang type rotary lawnmower shown in FIG. 1; and,

FIG. 6 is a top plan view thereof.

1 Claim, 6 Drawing Sheets



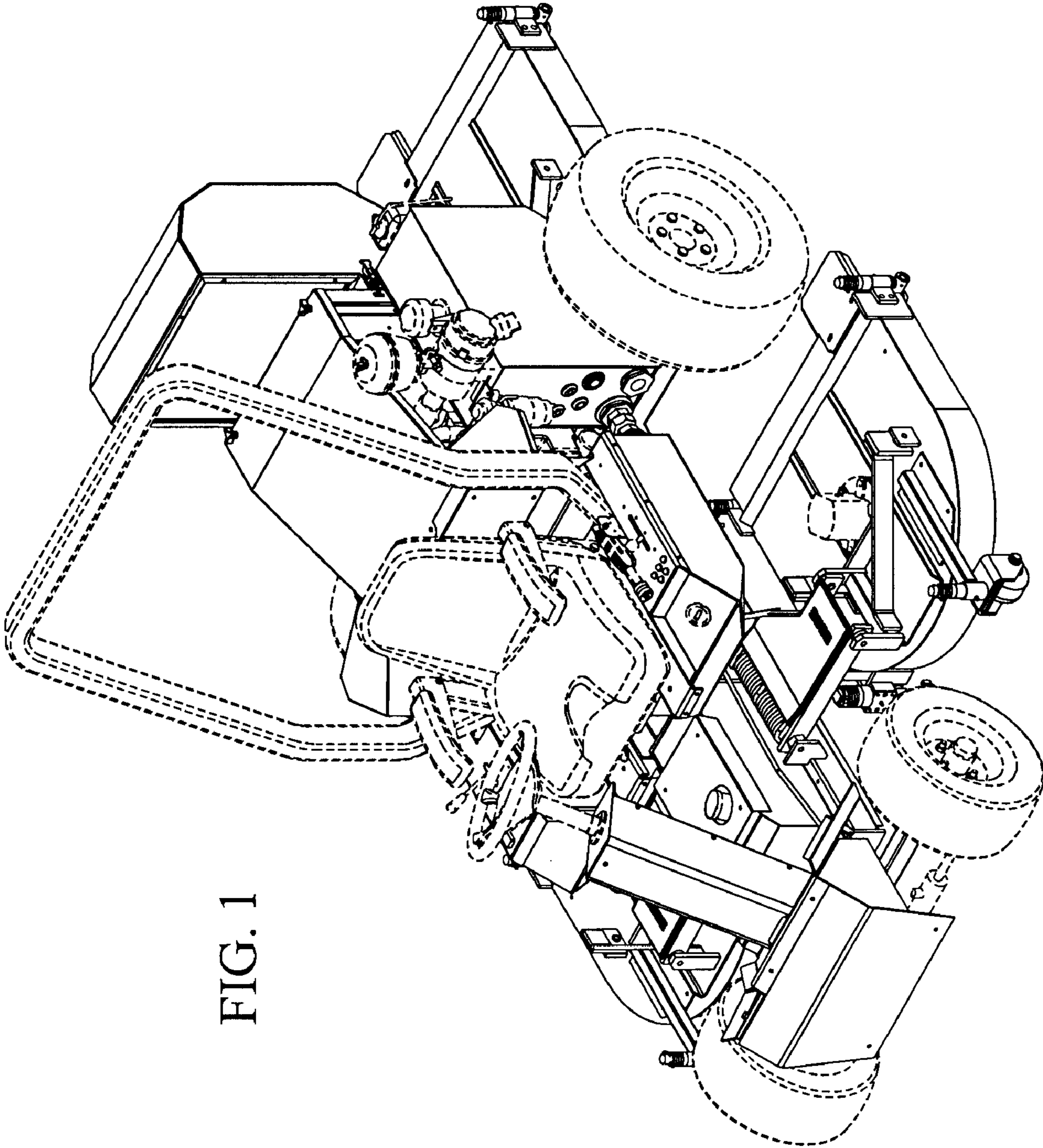


FIG. 1

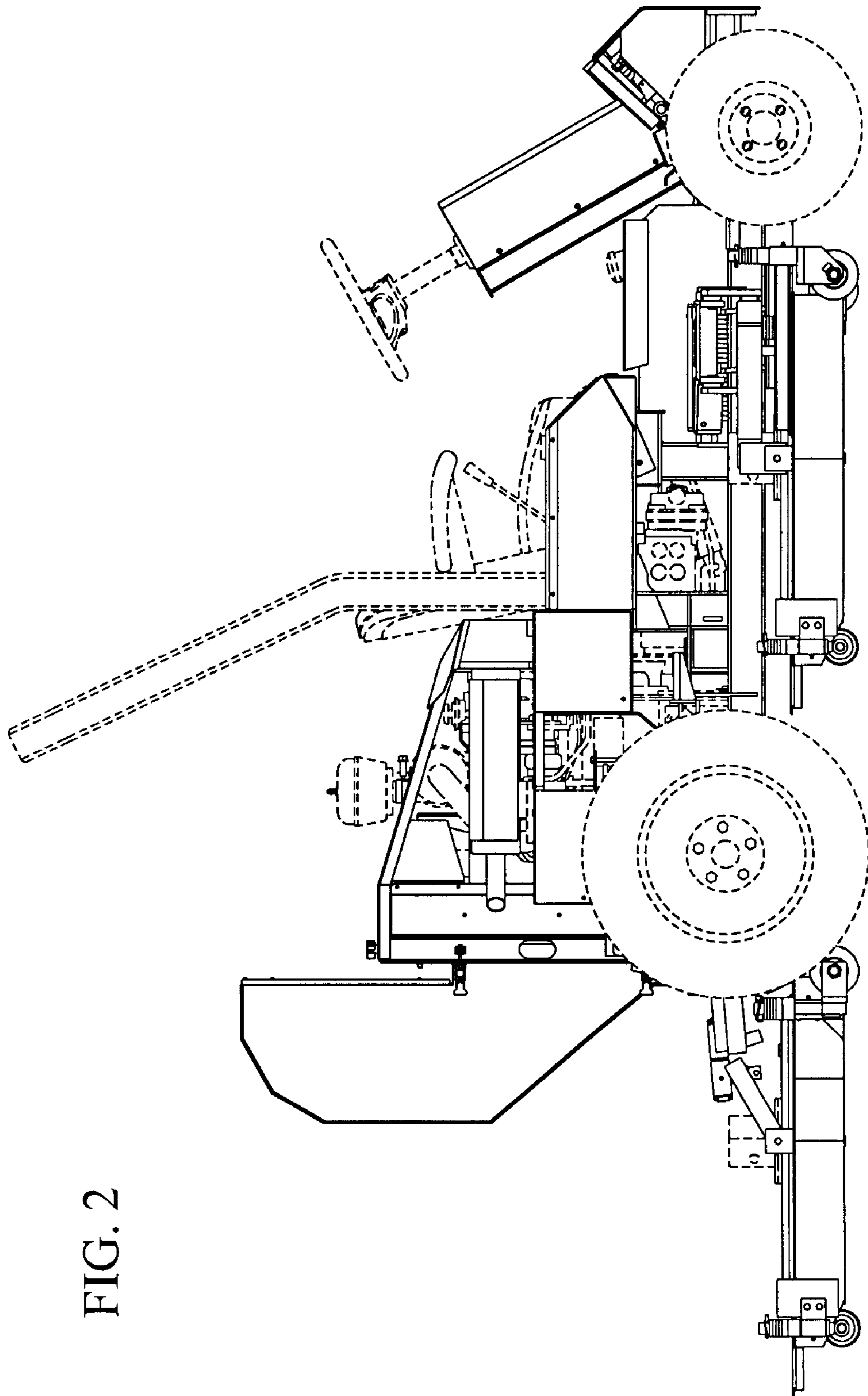


FIG. 2

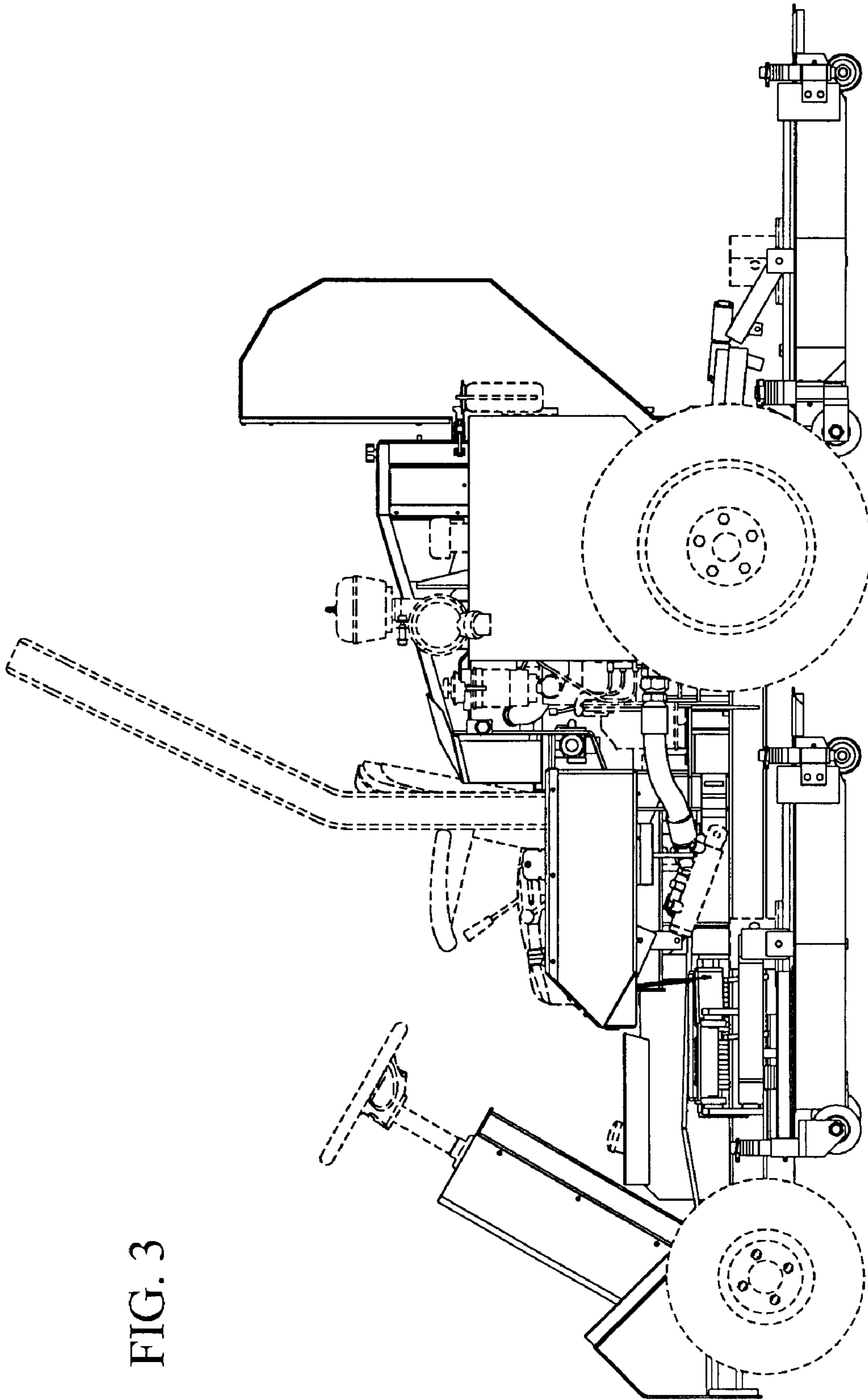


FIG. 3

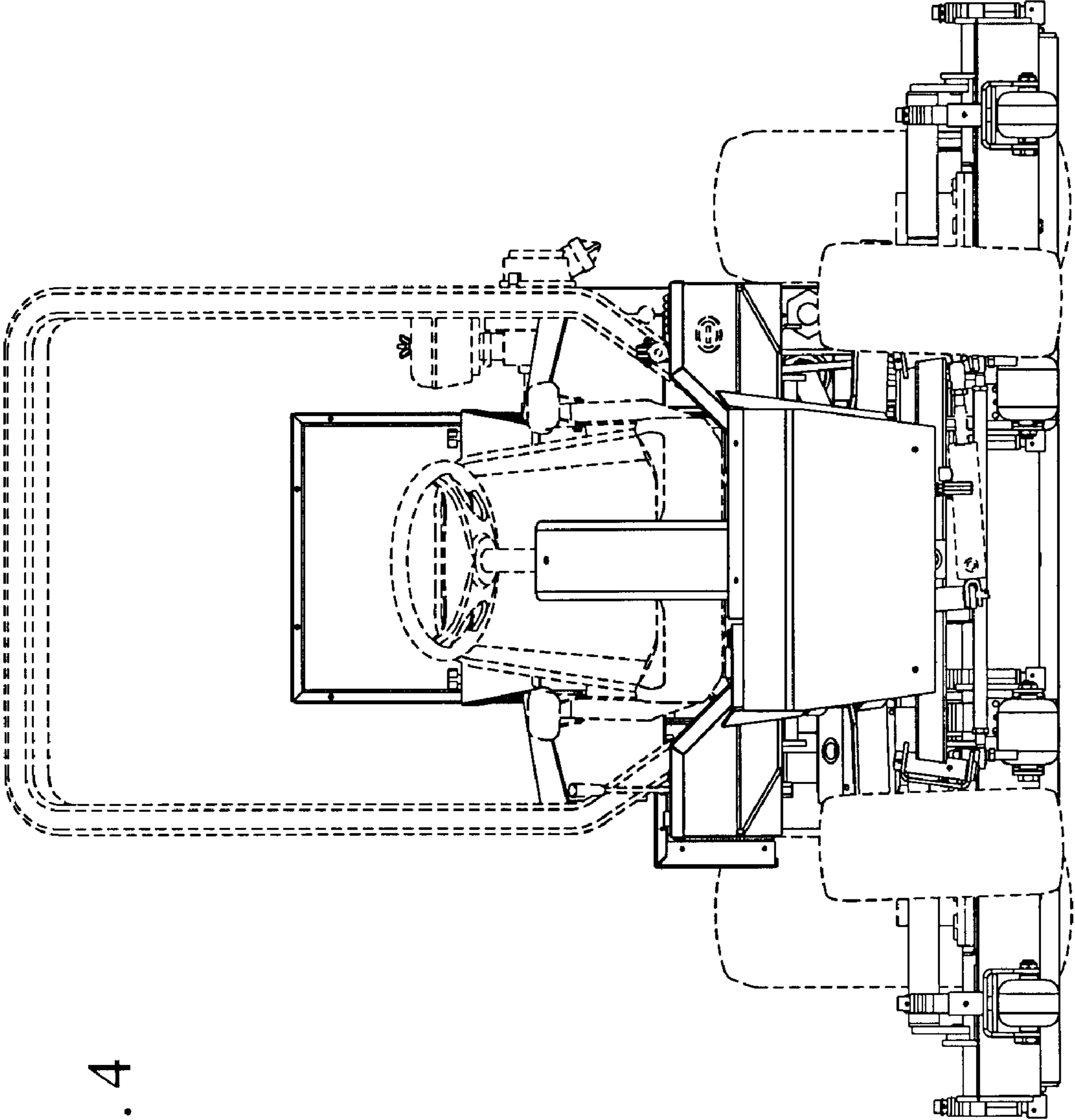


FIG. 4

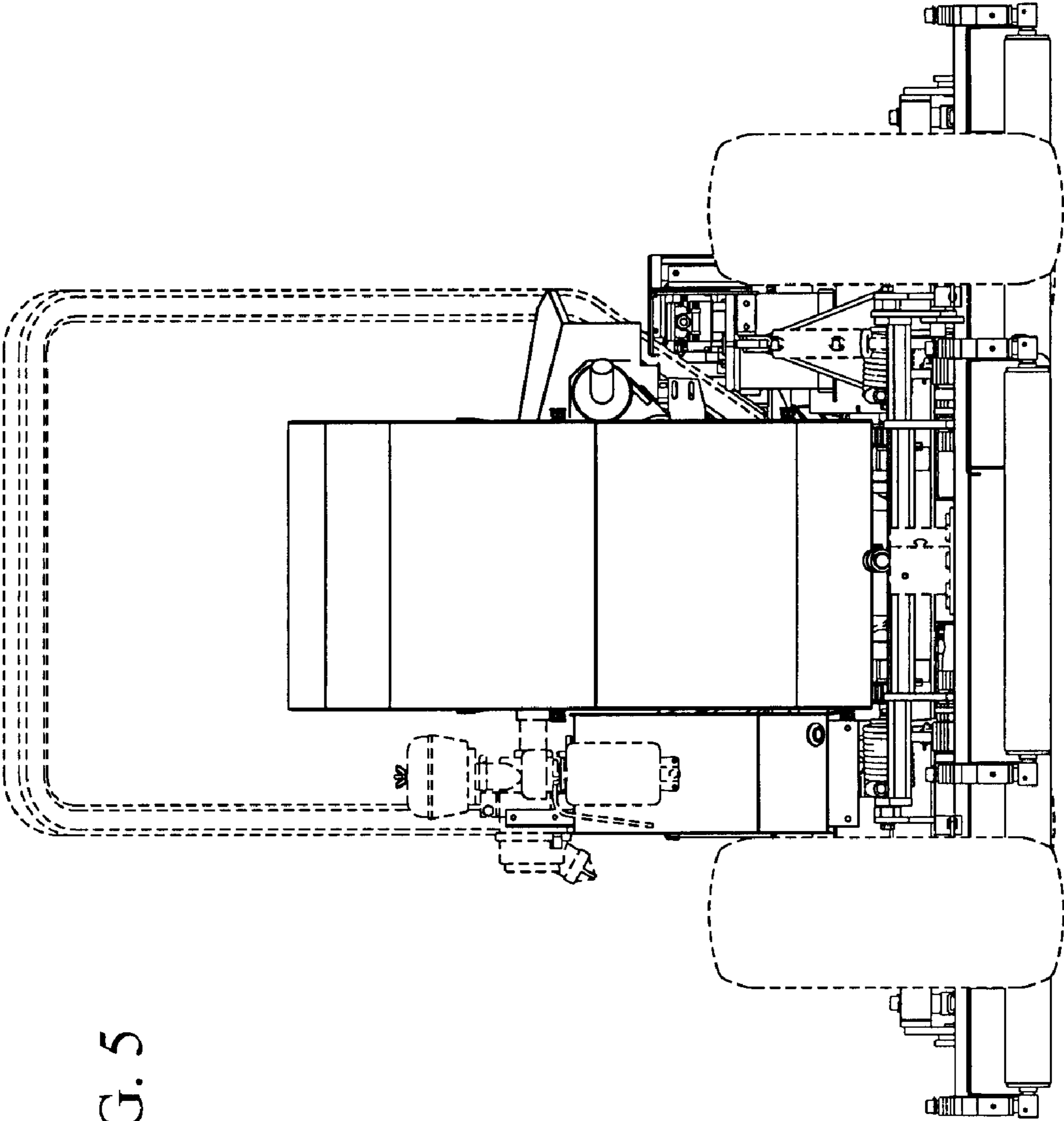


FIG. 5

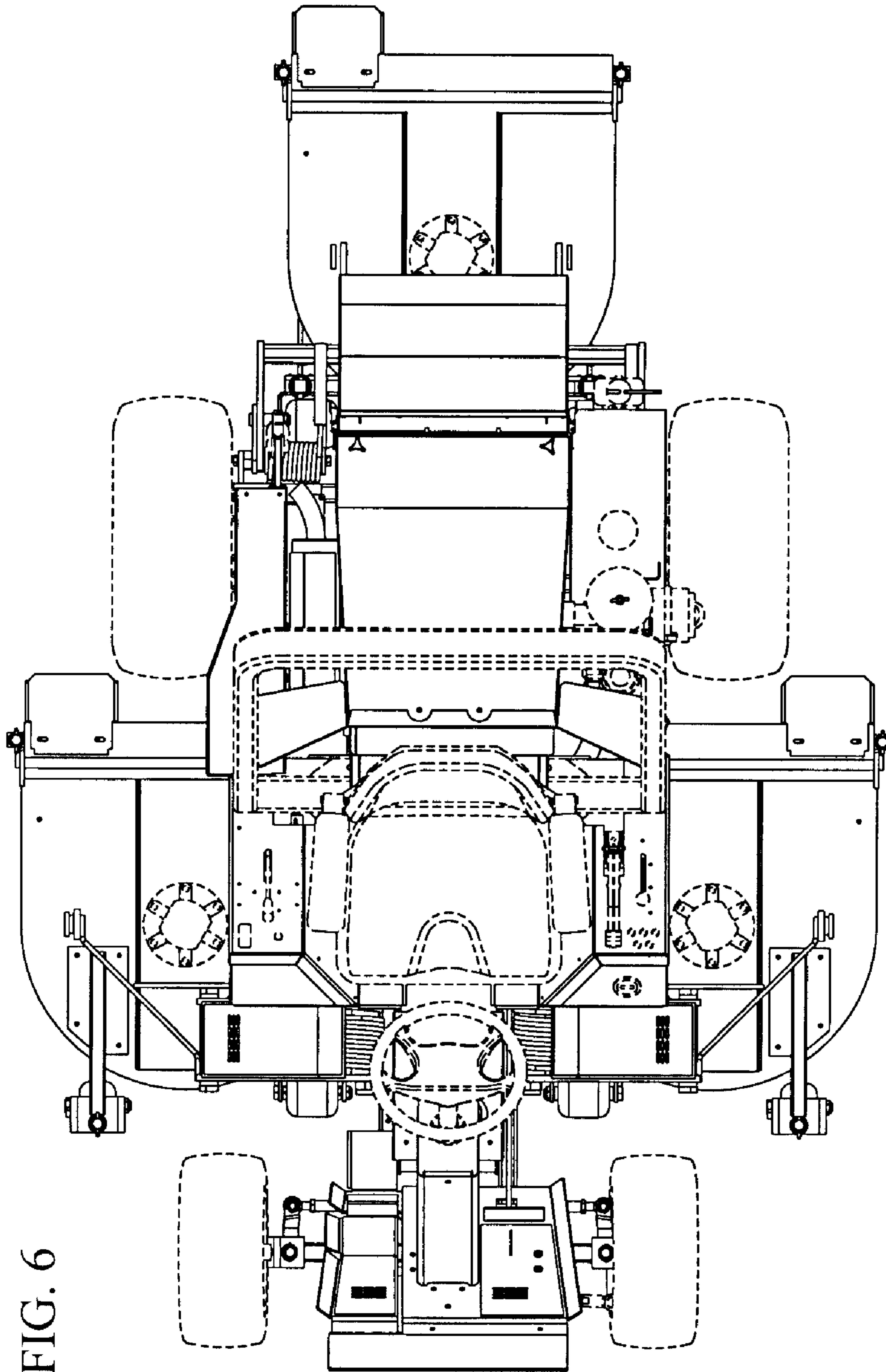


FIG. 6