



US00D536708S

(12) **United States Design Patent**  
**Bass**

(10) **Patent No.:** **US D536,708 S**  
(45) **Date of Patent:** **\*\* Feb. 13, 2007**

(54) **COMPRESSOR**  
(75) Inventor: **Gary S. Bass**, Independence, KY (US)  
(73) Assignee: **Campbell Hausfeld/Scott Fetzer Company**, Harrison, OH (US)  
(\*\*) Term: **14 Years**

D495,717 S \* 9/2004 Harper et al. .... D15/9  
D499,430 S 12/2004 Buck  
D500,769 S \* 1/2005 Montgomery ..... D15/7  
6,945,438 B1 9/2005 Shih et al.  
2004/0071561 A1 4/2004 Baron et al.  
2005/0191187 A1 9/2005 Vos et al.

\* cited by examiner

*Primary Examiner*—Ralf Seifert  
(74) *Attorney, Agent, or Firm*—Jones Day

(21) Appl. No.: **29/256,569**  
(22) Filed: **Mar. 22, 2006**

(57) **CLAIM**

(51) **LOC (8) Cl.** ..... **15-02**  
(52) **U.S. Cl.** ..... **D15/9**  
(58) **Field of Classification Search** ..... D15/7–9;  
D23/232, 231; 417/359, 415–416, 410.1,  
417/321, 265, 405  
See application file for complete search history.

The ornamental design for a compressor, as shown and described.

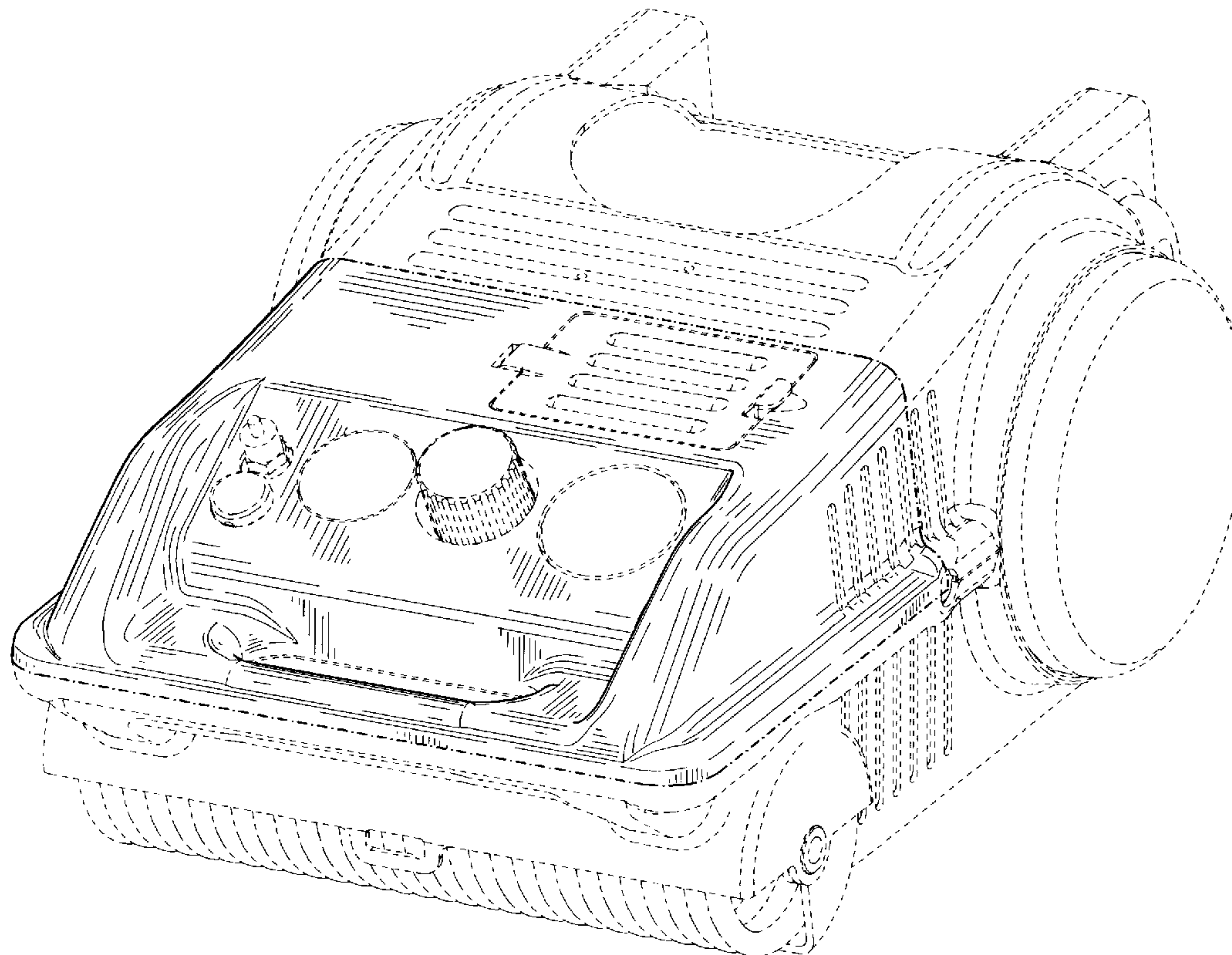
**DESCRIPTION**

(56) **References Cited**  
U.S. PATENT DOCUMENTS

1,000,203 A	8/1911	Shannon	
4,781,329 A	11/1988	Tenney et al.	
5,395,052 A	3/1995	Schneider et al.	
D373,774 S	9/1996	Chen	
5,816,499 A	10/1998	Christiansen	
D434,048 S	* 11/2000	Orschell et al.	..... D15/9
D475,721 S	* 6/2003	Harper et al.	..... D15/9
D489,733 S	5/2004	Leasure et al.	
D489,736 S	* 5/2004	Harper et al.	..... D15/9
D490,948 S	6/2004	Cattaneo	

FIG. 1 is a perspective view of a compressor embodying the ornamental design of the present invention; FIG. 2 is a top view thereof; FIG. 3 is a bottom view thereof; FIG. 4 is a side view thereof; FIG. 5 is an opposite side thereof; FIG. 6 is a front view thereof; and, FIG. 7 is a rear view thereof. The broken lines in FIGS. 1–7 are for illustrative purposes only and form no part of the claimed design. More specifically, dashed lines indicate unclaimed features. Dot-dashed lines, drawn with heavier weight than the dashed lines, define boundaries of the claimed design.

**1 Claim, 6 Drawing Sheets**



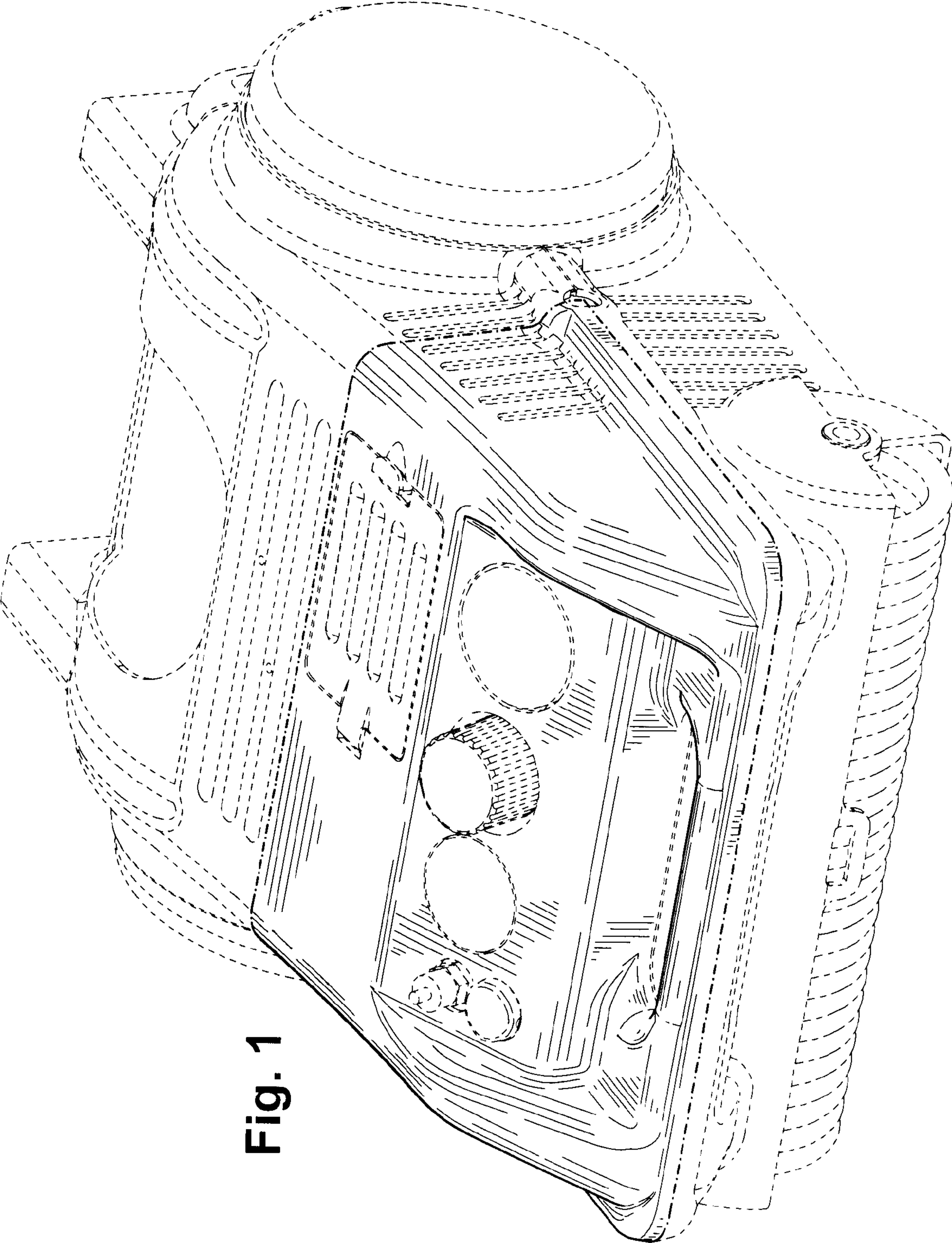


Fig. 1

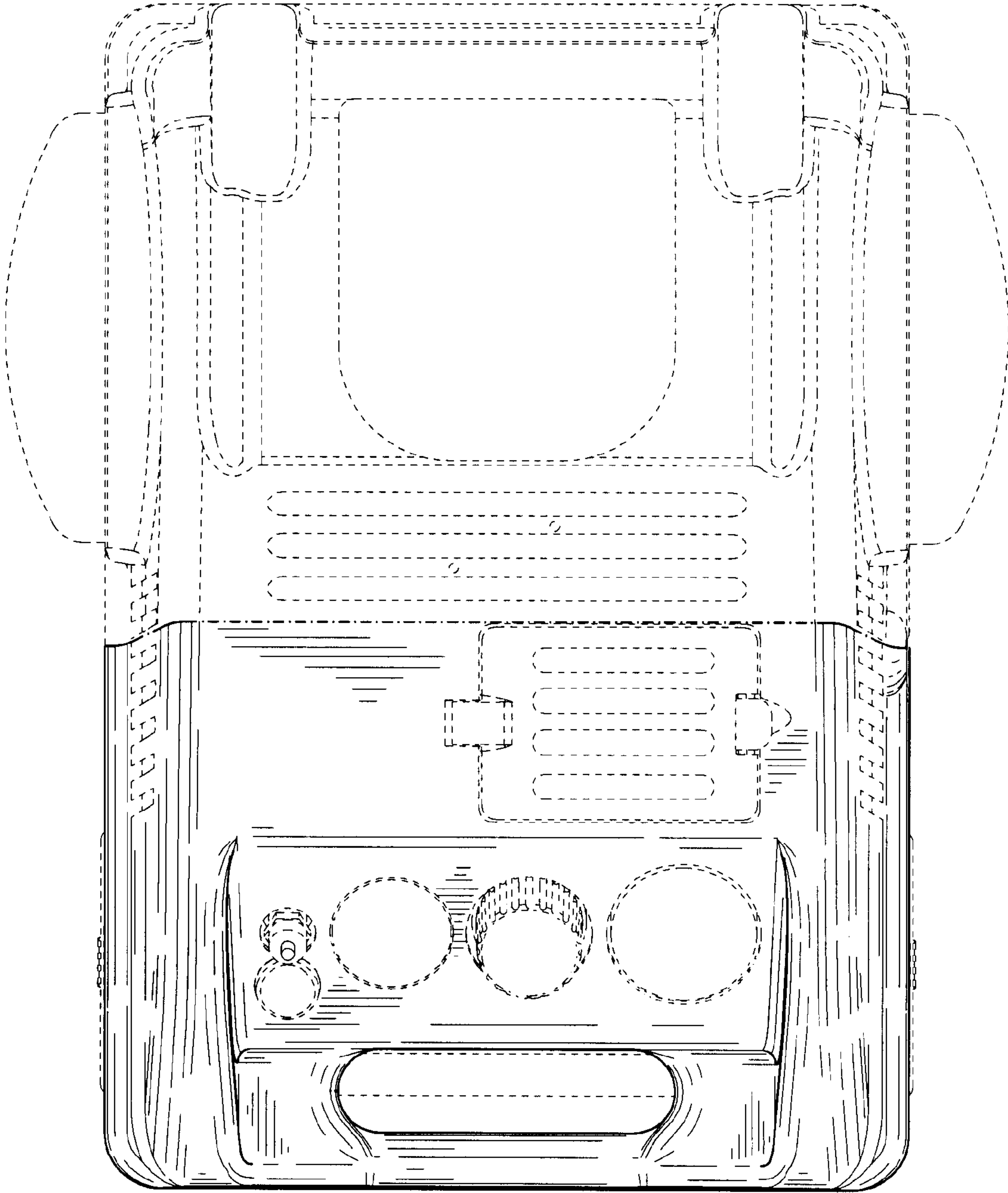


Fig. 2



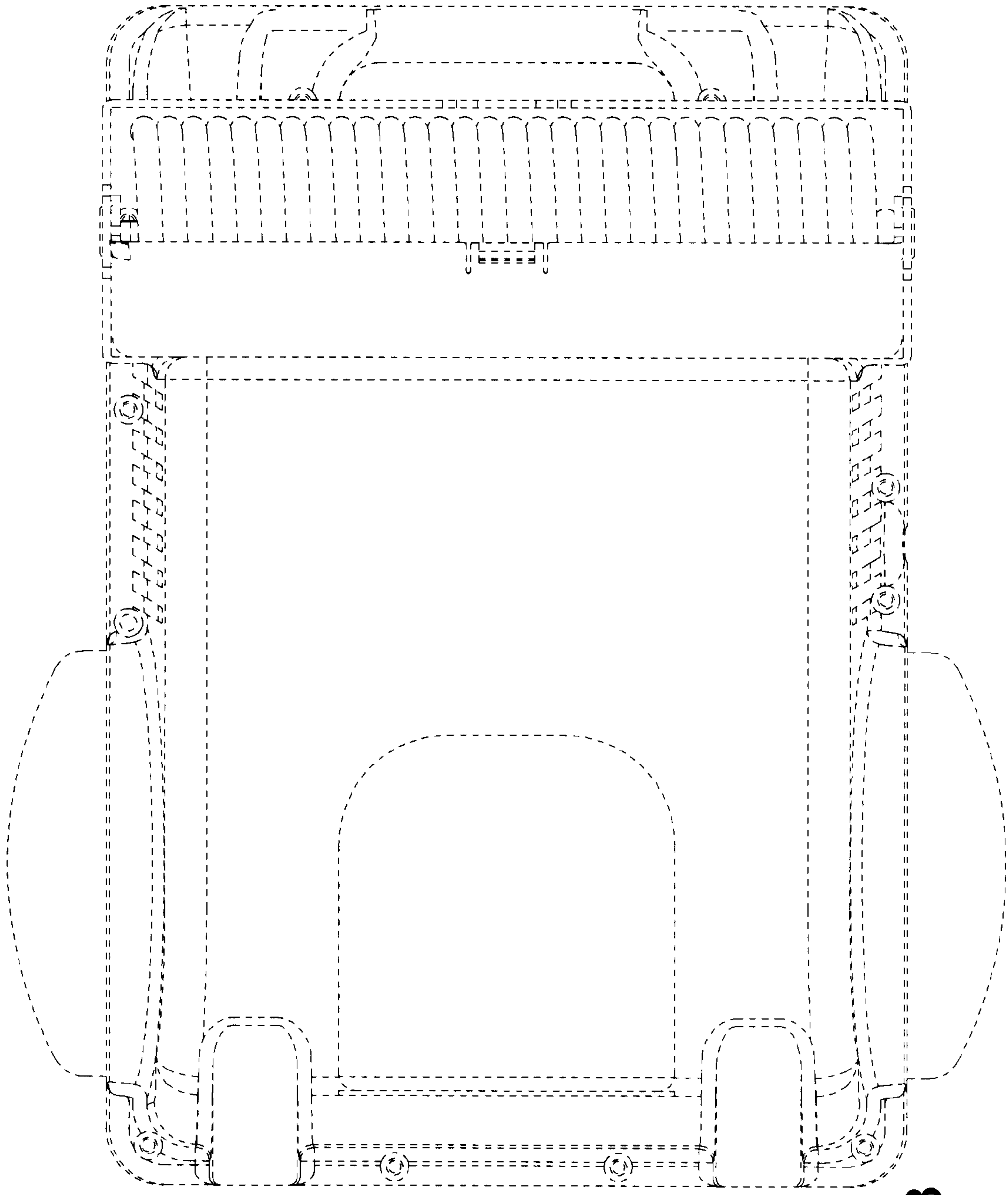


Fig. 3

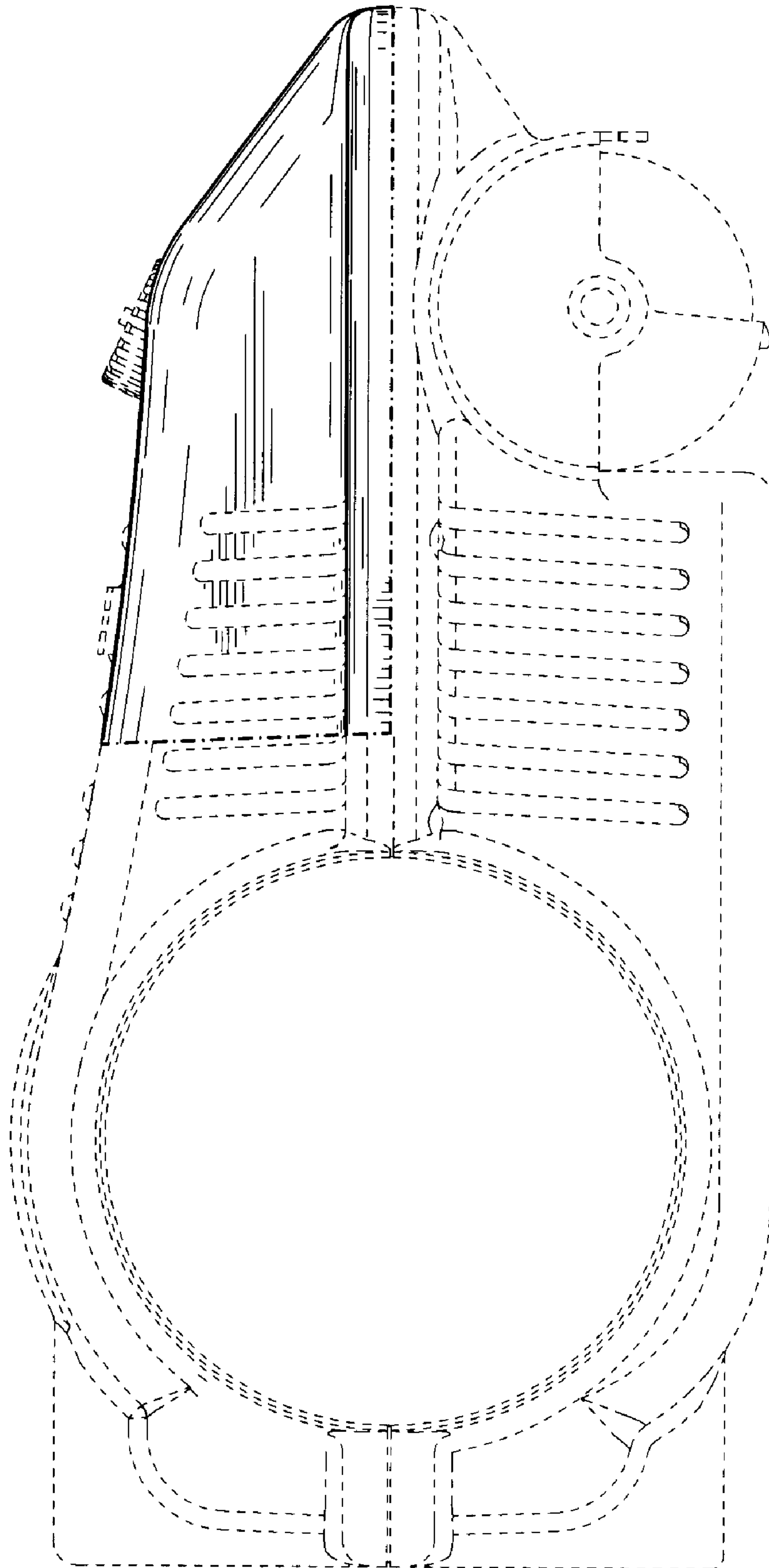


Fig. 4

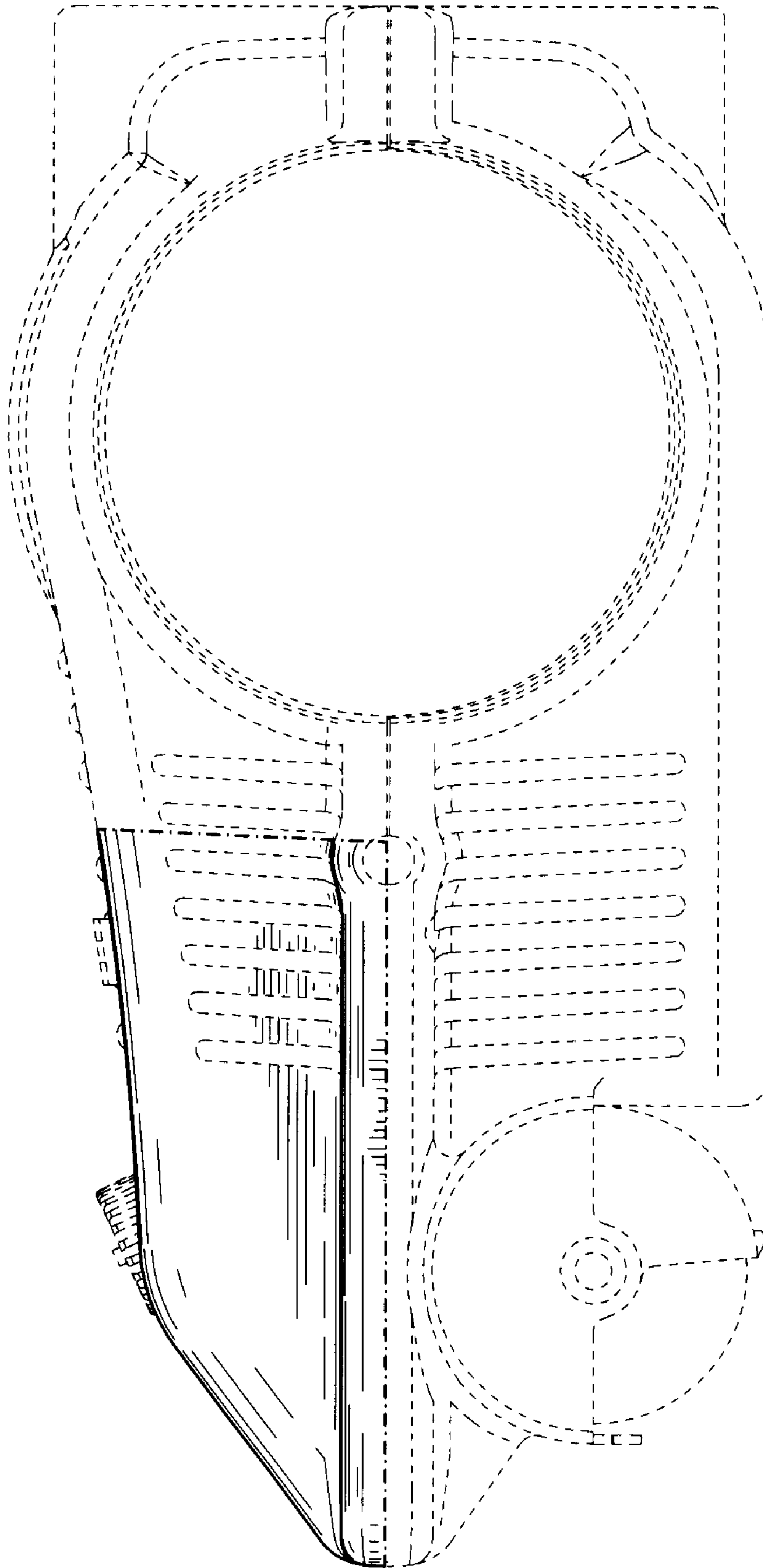
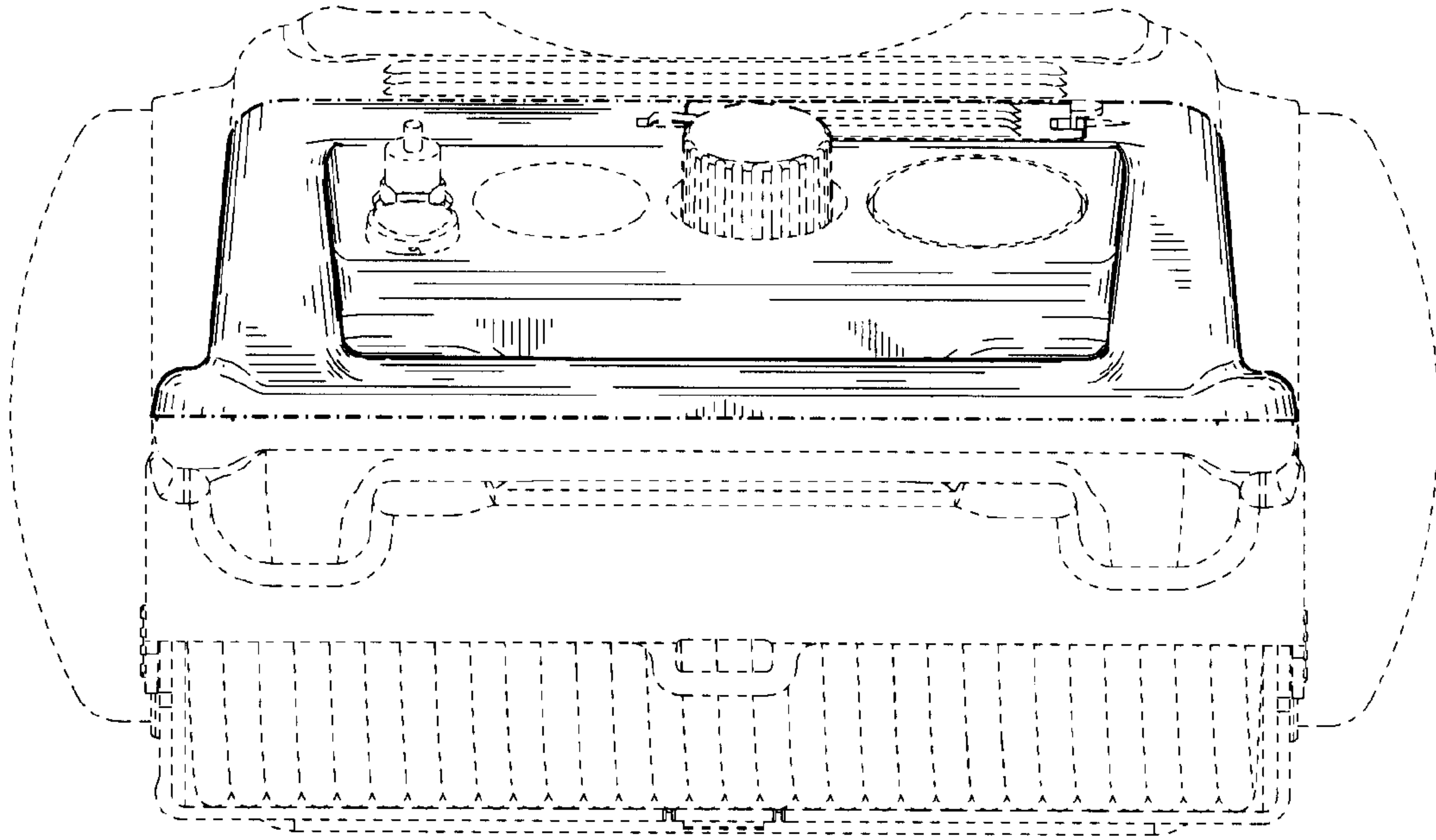
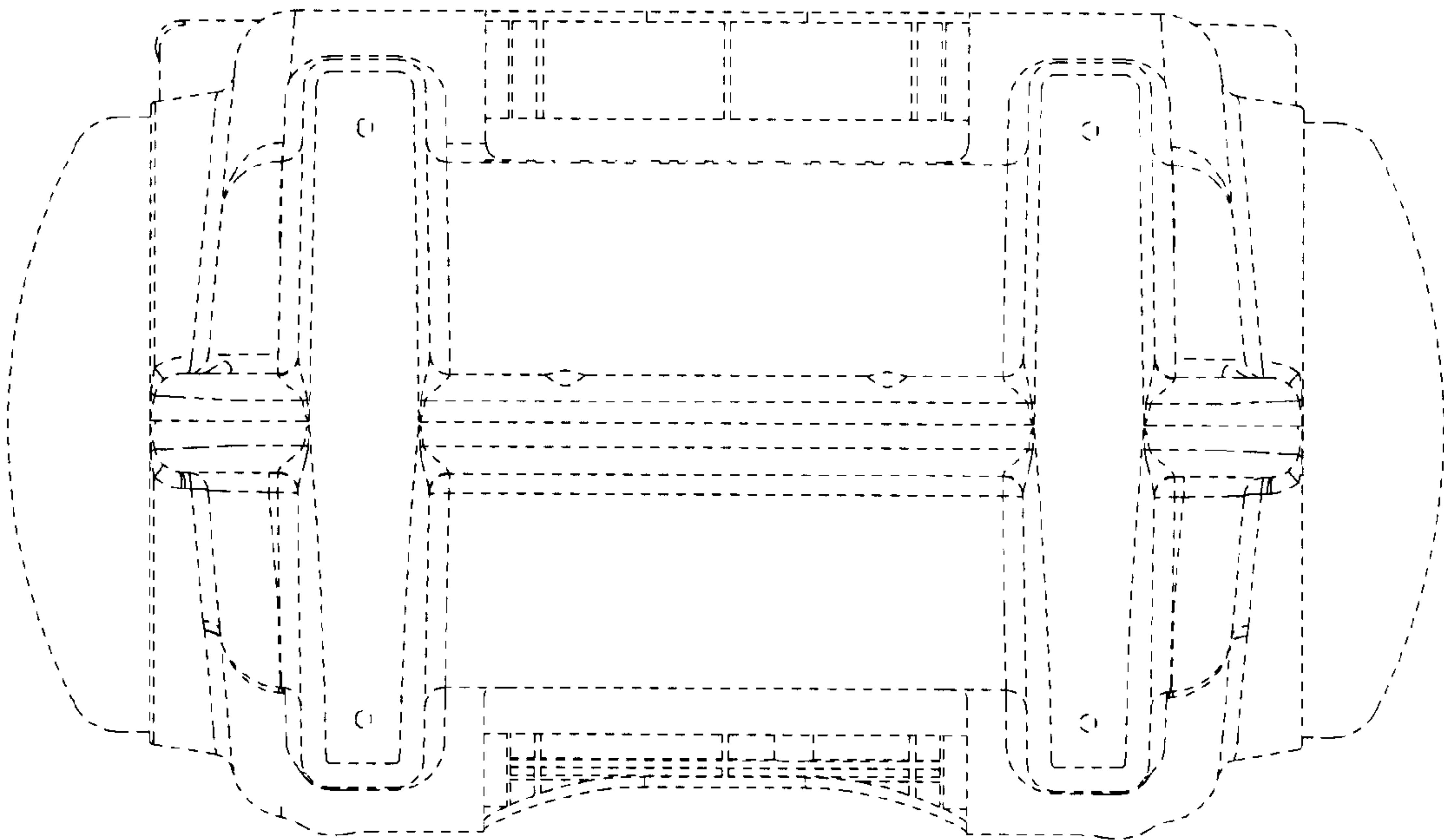


Fig. 5



**Fig. 6**



**Fig. 7**