



US00D536707S

(12) **United States Design Patent**
Bass et al.

(10) **Patent No.:** **US D536,707 S**

(45) **Date of Patent:** **** Feb. 13, 2007**

(54) **AIR COMPRESSOR**

D499,429 S * 12/2004 Leasure D15/9
D516,090 S * 2/2006 Gist et al. D15/9
D516,091 S * 2/2006 Leasure et al. D15/9

(75) Inventors: **Gary S. Bass**, Independence, KY (US);
Douglas R. Harper, Harrison, OH (US)

* cited by examiner

(73) Assignee: **Campbell Hausfeld/Scott Fetzer Company**, Harrison, OH (US)

Primary Examiner—Ralf Seifert

(74) *Attorney, Agent, or Firm*—Jones Day

(**) Term: **14 Years**

(57) **CLAIM**

(21) Appl. No.: **29/233,110**

The ornamental design for an air compressor, as shown and described.

(22) Filed: **Jun. 28, 2005**

DESCRIPTION

(51) **LOC (8) Cl.** **15-02**

(52) **U.S. Cl.** **D15/9**

(58) **Field of Classification Search** D15/7-9;
D23/232, 231; 417/359, 415-416, 410.1,
417/321, 265, 405

See application file for complete search history.

FIG. 1 is a perspective view of an air compressor embodying the ornamental design of the present invention;
FIG. 2 is a front view thereof;
FIG. 3 is a rear view thereof;
FIG. 4 is a side view thereof;
FIG. 5 is an opposite side view thereof;
FIG. 6 is a top view thereof; and,
FIG. 7 is a bottom view thereof.

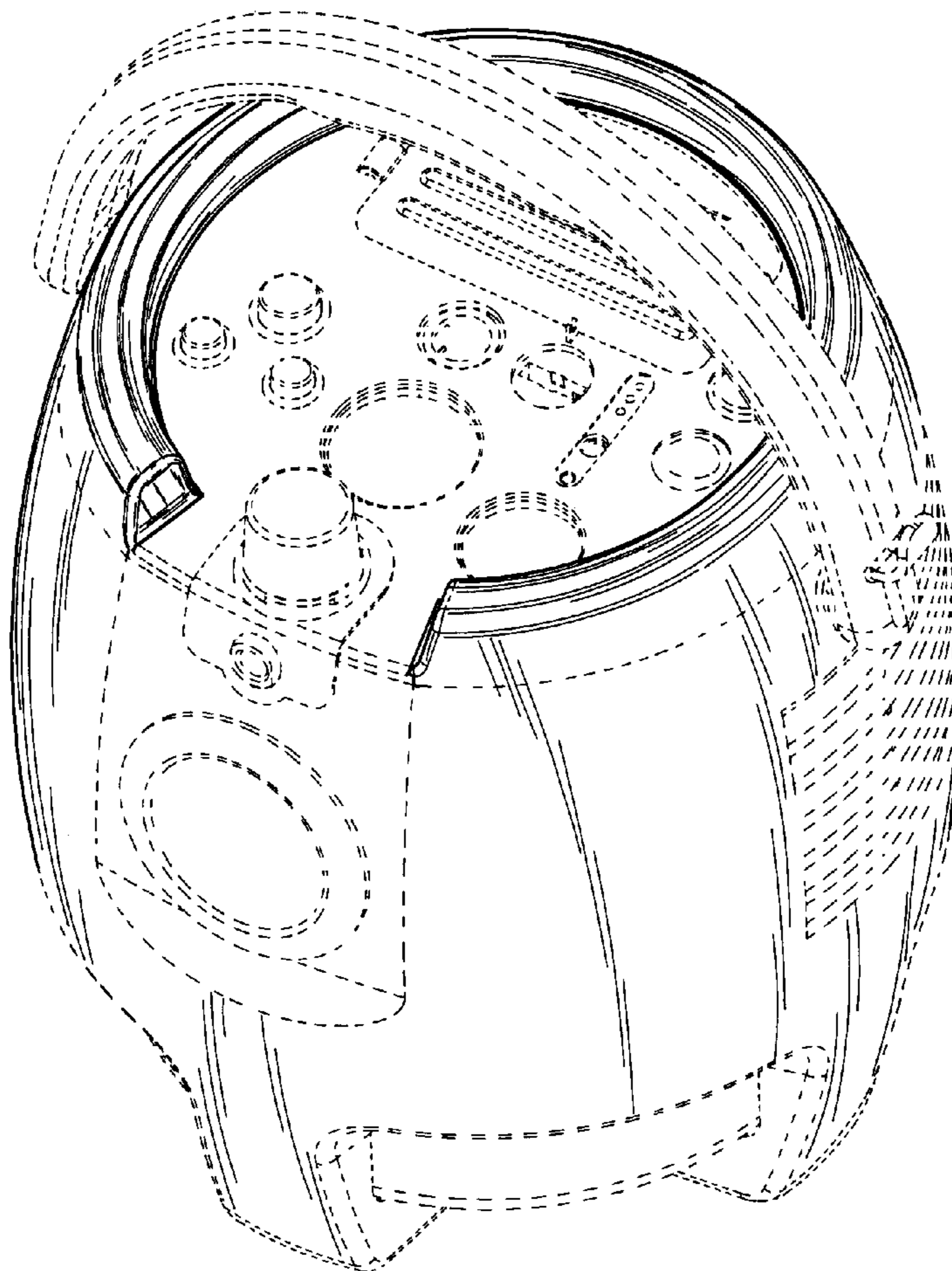
The broken lines in FIGS. 1-7 are for illustrative purposes only and form no part of the claimed design.

(56) **References Cited**

U.S. PATENT DOCUMENTS

D479,248 S * 9/2003 Gist et al. D15/9
D488,485 S * 4/2004 Leasure et al. D15/9

1 Claim, 6 Drawing Sheets



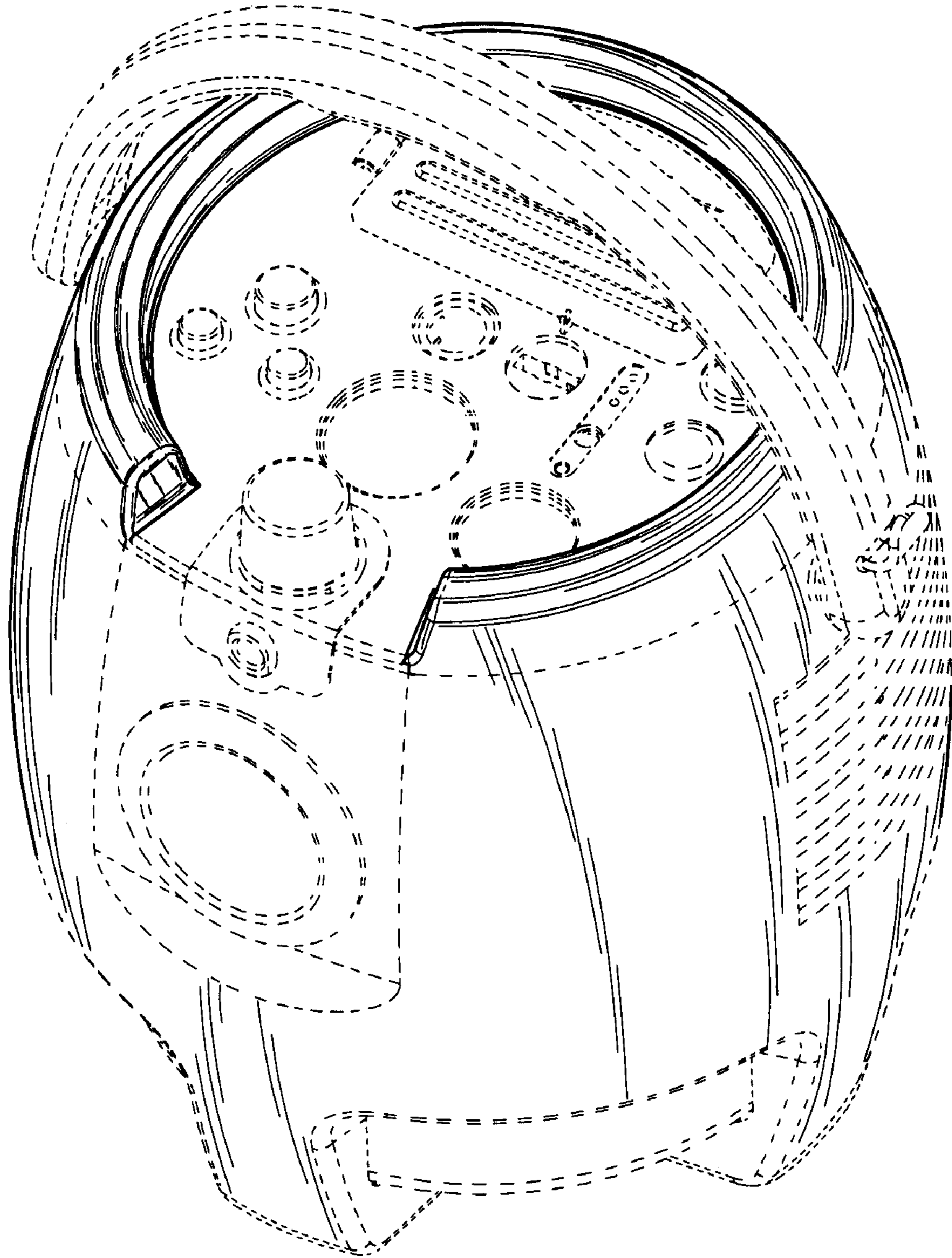


Fig.1

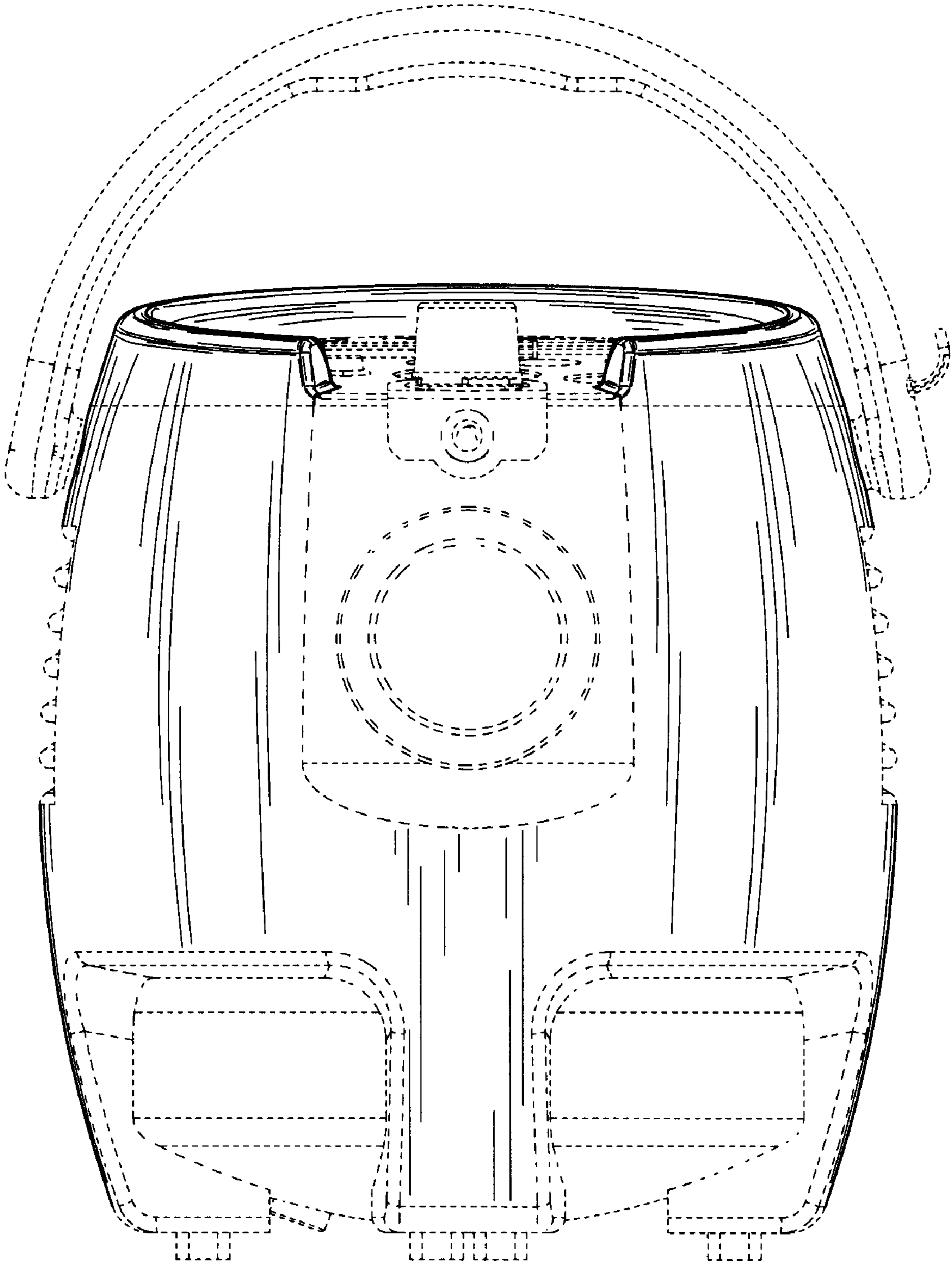


Fig.2

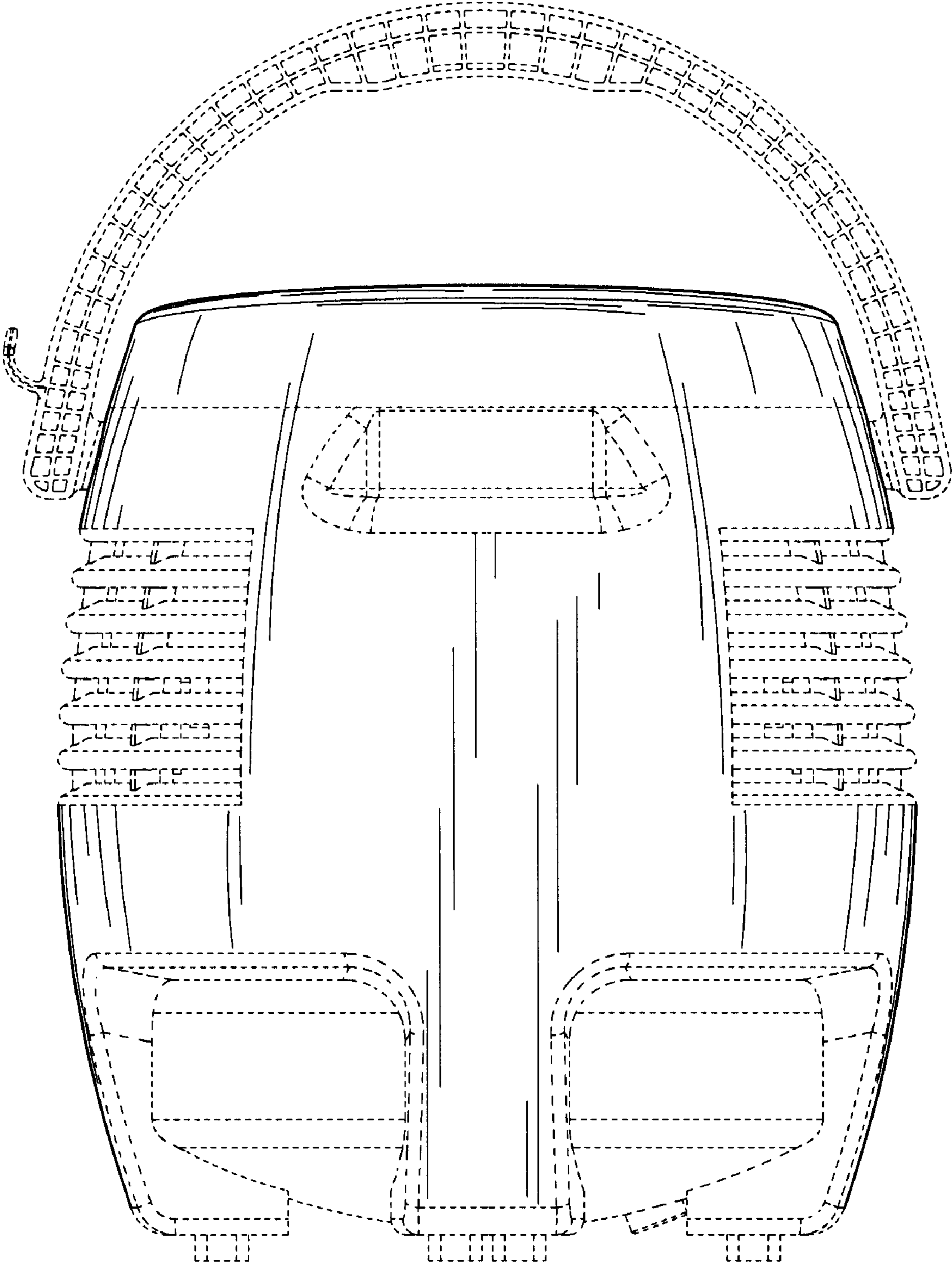


Fig.3

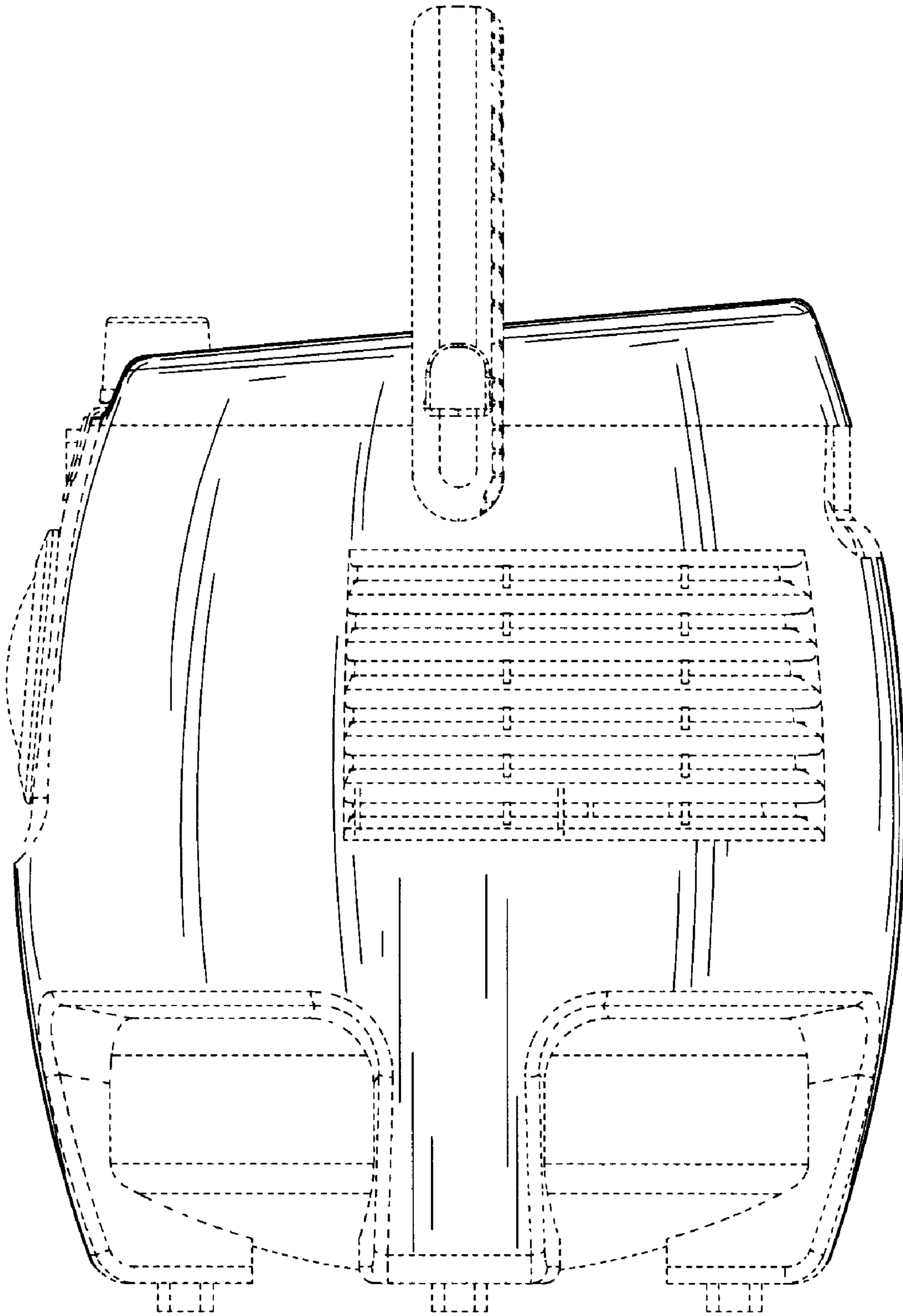


Fig.4

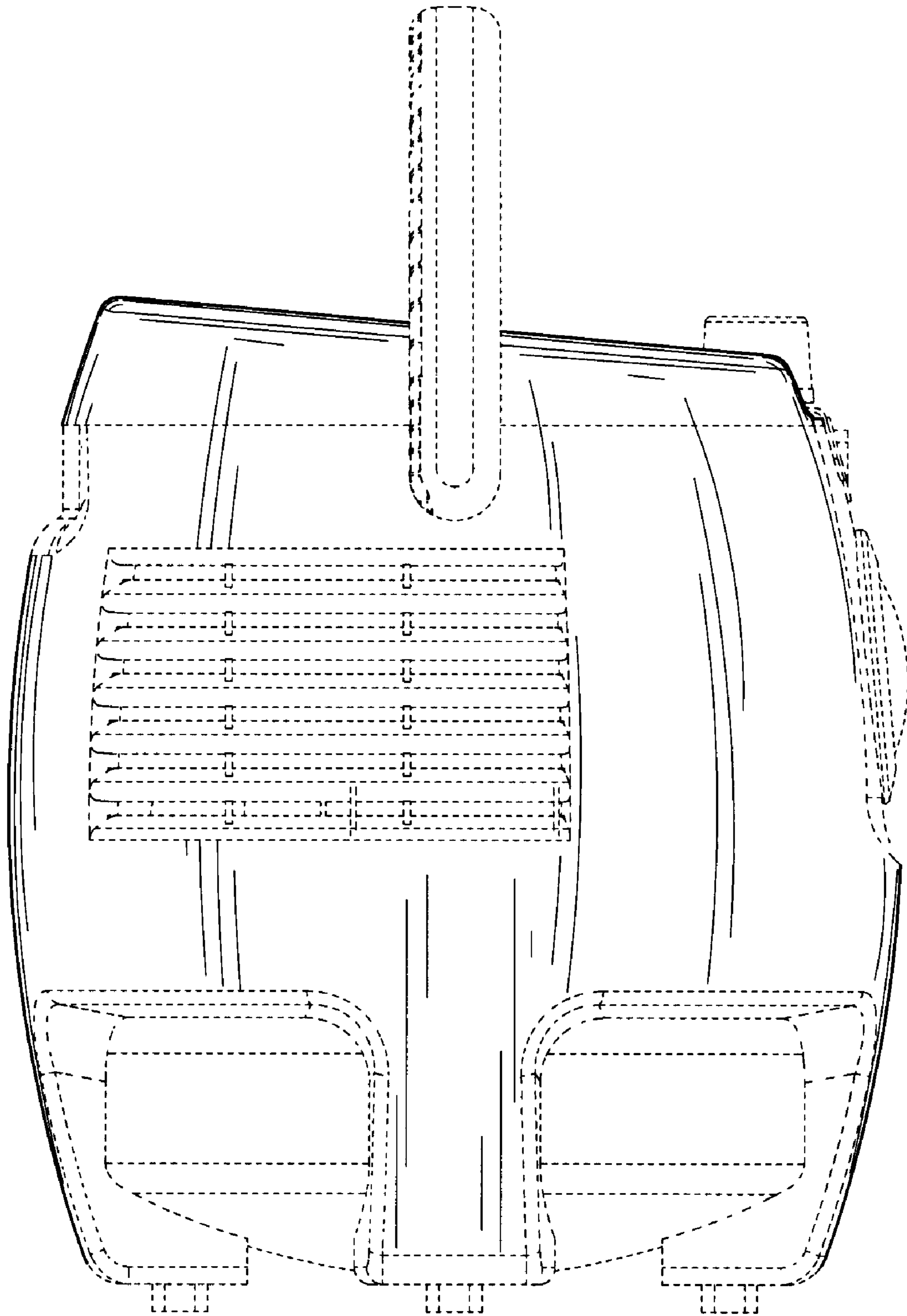


Fig.5

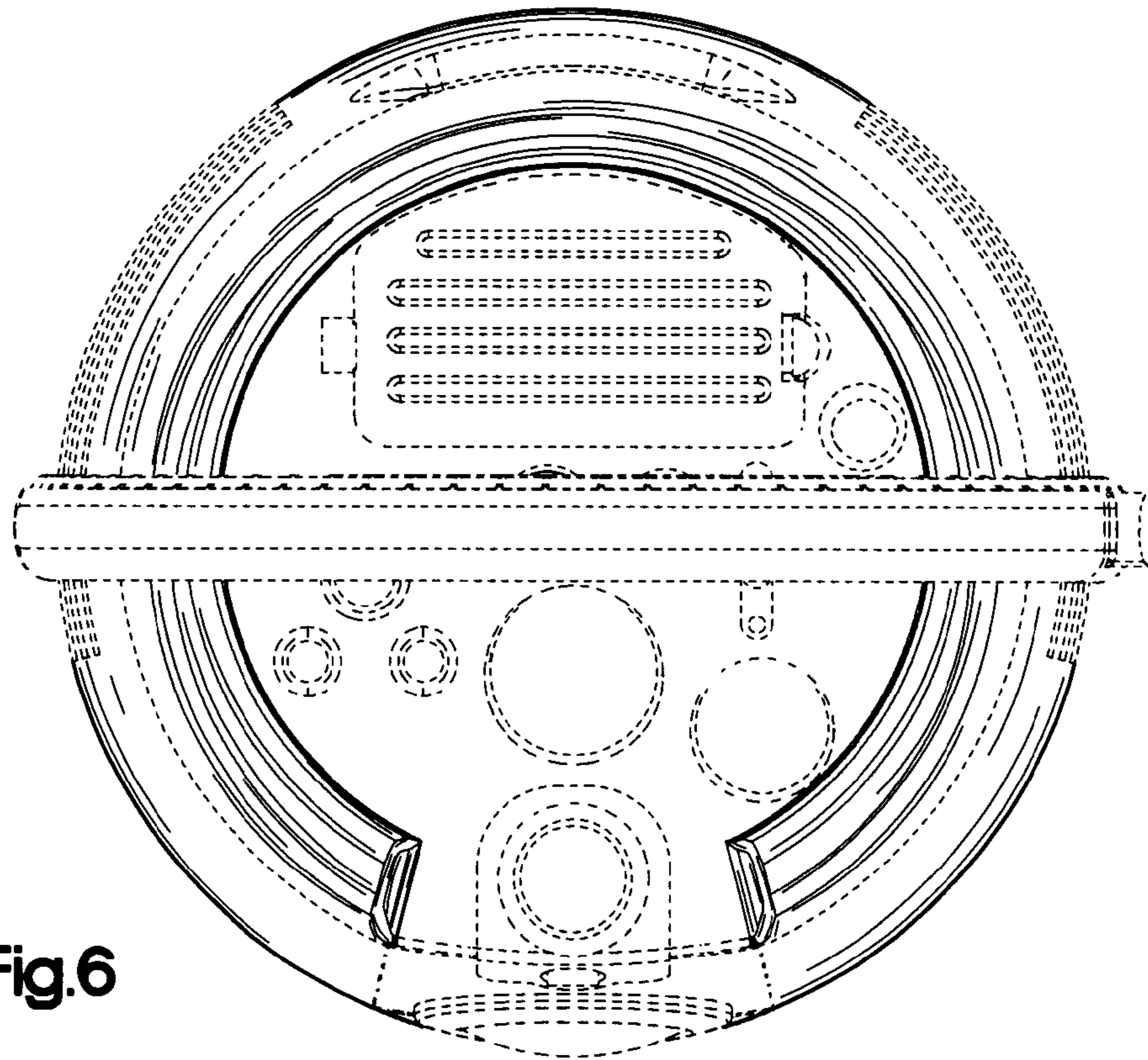


Fig.6

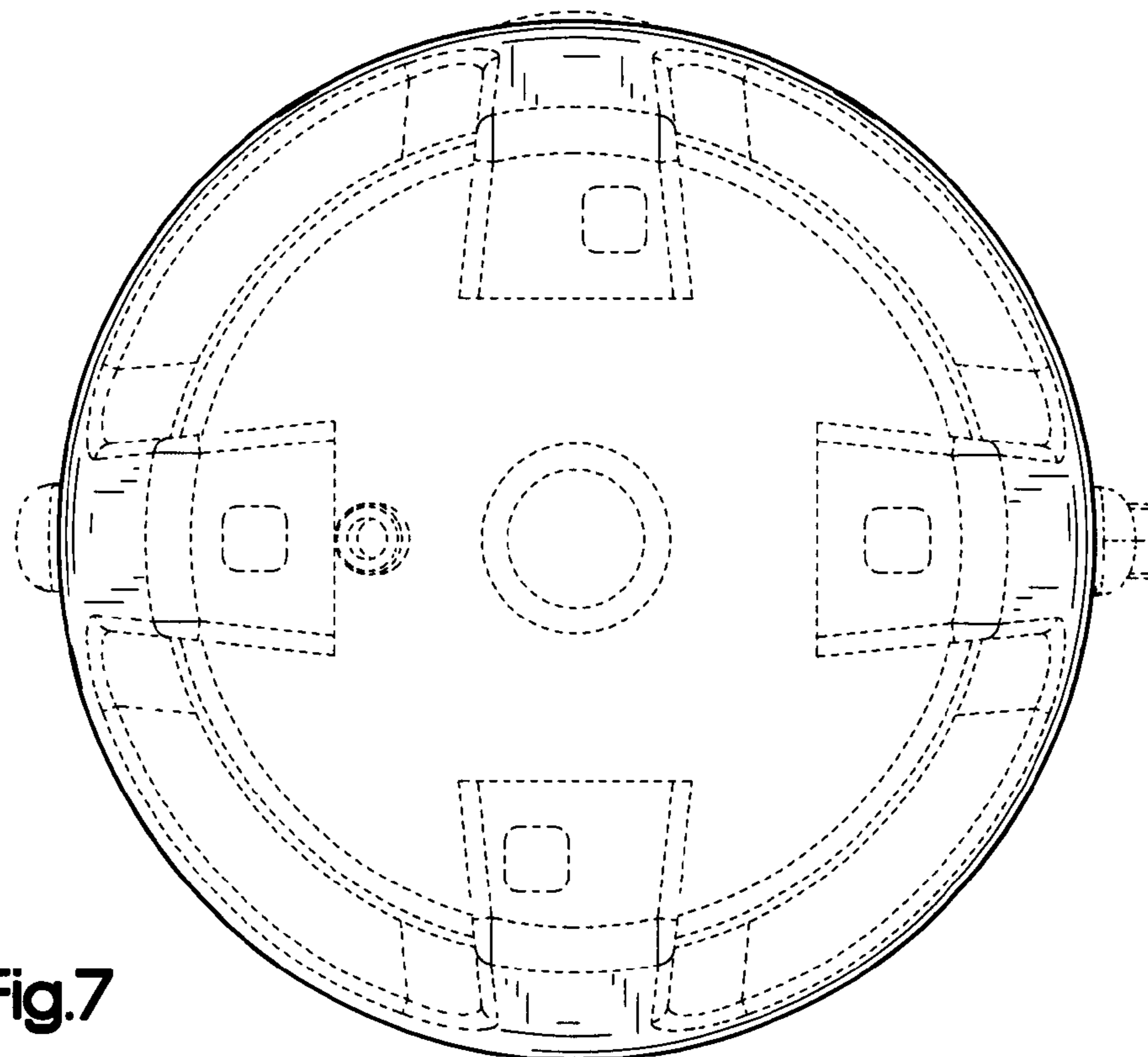


Fig.7