



US00D536705S

(12) **United States Design Patent**
Griffin et al.

(10) **Patent No.: US D536,705 S**

(45) **Date of Patent: ** Feb. 13, 2007**

(54) **PUMP HOUSING**

(75) Inventors: **John Griffin**, Phoenix, AZ (US);
Jeffrey P. Pecca, Hillsborough, NJ
(US); **Gary Ortiz**, Clemmons, NC
(US); **Ronald H. Griffin**, Boonville,
NC (US); **Marchal Depasquale**, Morris
Plains, NJ (US)

(73) Assignee: **H-Tech, Inc.**, Wilmington, DE (US)

(**) Term: **14 Years**

(21) Appl. No.: **29/241,867**

(22) Filed: **Oct. 31, 2005**

(51) **LOC (8) Cl. 15-02**

(52) **U.S. Cl. D15/7**

(58) **Field of Classification Search** D15/7-9;
D23/232, 231; 417/359, 415-416, 410.1,
417/321, 265, 405, 234-238, 68, 69; 415/120,
415/126

See application file for complete search history.

(56) **References Cited**

U.S. PATENT DOCUMENTS

D131,875 S * 3/1942 Houston D15/9
D299,143 S 12/1988 Hazlehurst
D419,567 S 1/2000 Weiss
D425,911 S 5/2000 Fleischer et al.

D450,327 S * 11/2001 Mori et al. D15/7
D466,522 S * 12/2002 Huang D15/7
D507,579 S * 7/2005 Rossman et al. D15/7
6,974,303 B2 12/2005 Wang
D517,570 S * 3/2006 Stiles et al. D15/7

OTHER PUBLICATIONS

U.S. Appl. No.: 60/732,008 "Pump" Filed Nov. 1, 2005.
U.S. Appl. No.: 29/253,402 "Pump Housing" Filed Feb. 6,
2006.

* cited by examiner

Primary Examiner—Ralf Seifert

(74) *Attorney, Agent, or Firm*—McCarter & English, LLP

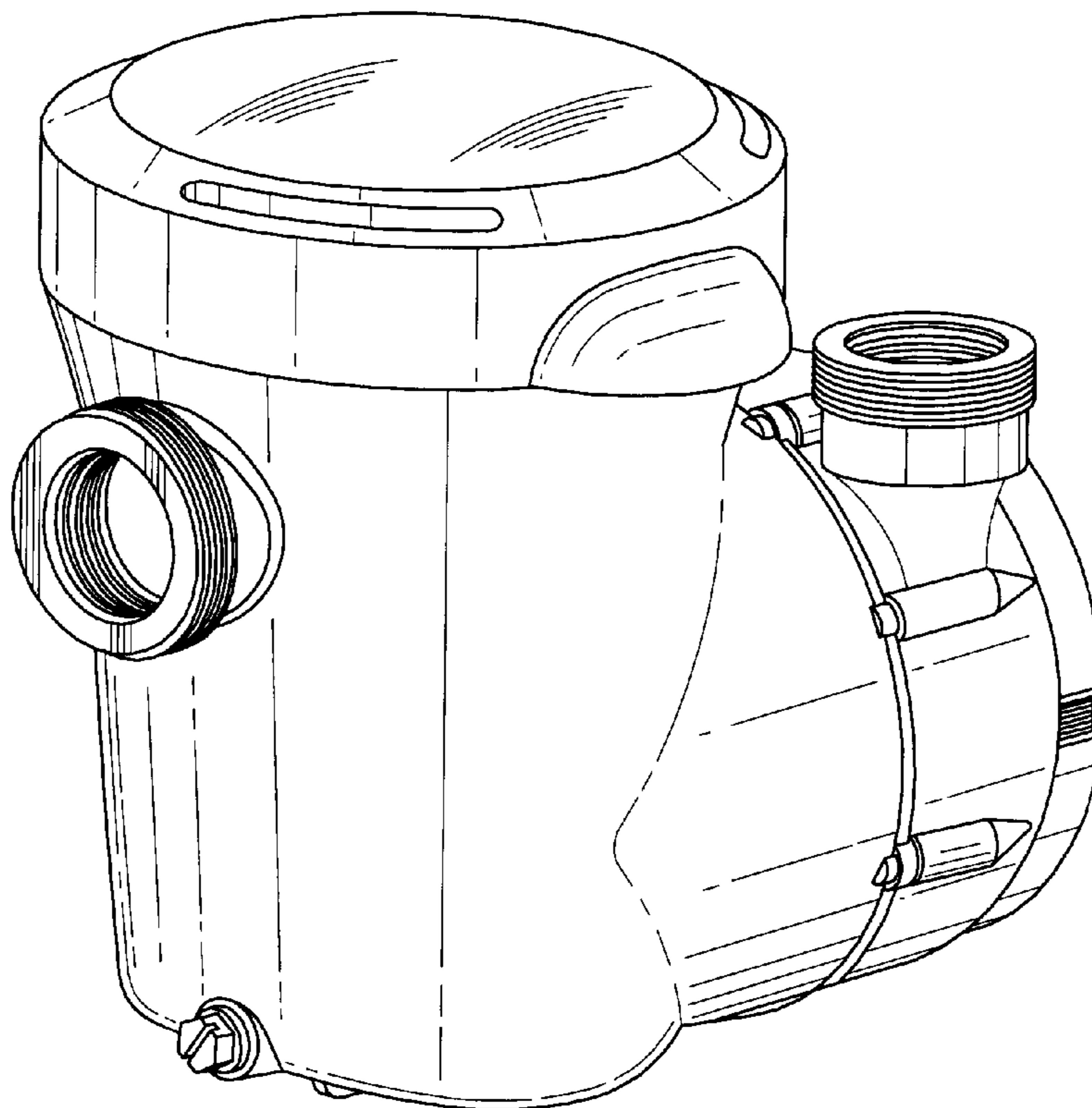
(57) **CLAIM**

The ornamental design for a pump housing, as shown.

DESCRIPTION

FIG. 1 is a front perspective view, observed from the right
front side, of a pump housing showing our new design;
FIG. 2 is a front perspective view, observed from the left
front side, thereof;
FIG. 3 is a front elevational view thereof;
FIG. 4 is a rear elevational view thereof;
FIG. 5 is a right side elevational view thereof;
FIG. 6 is a left side elevational view thereof;
FIG. 7 is a top plan view thereof; and,
FIG. 8 is a bottom plan view thereof.

1 Claim, 8 Drawing Sheets



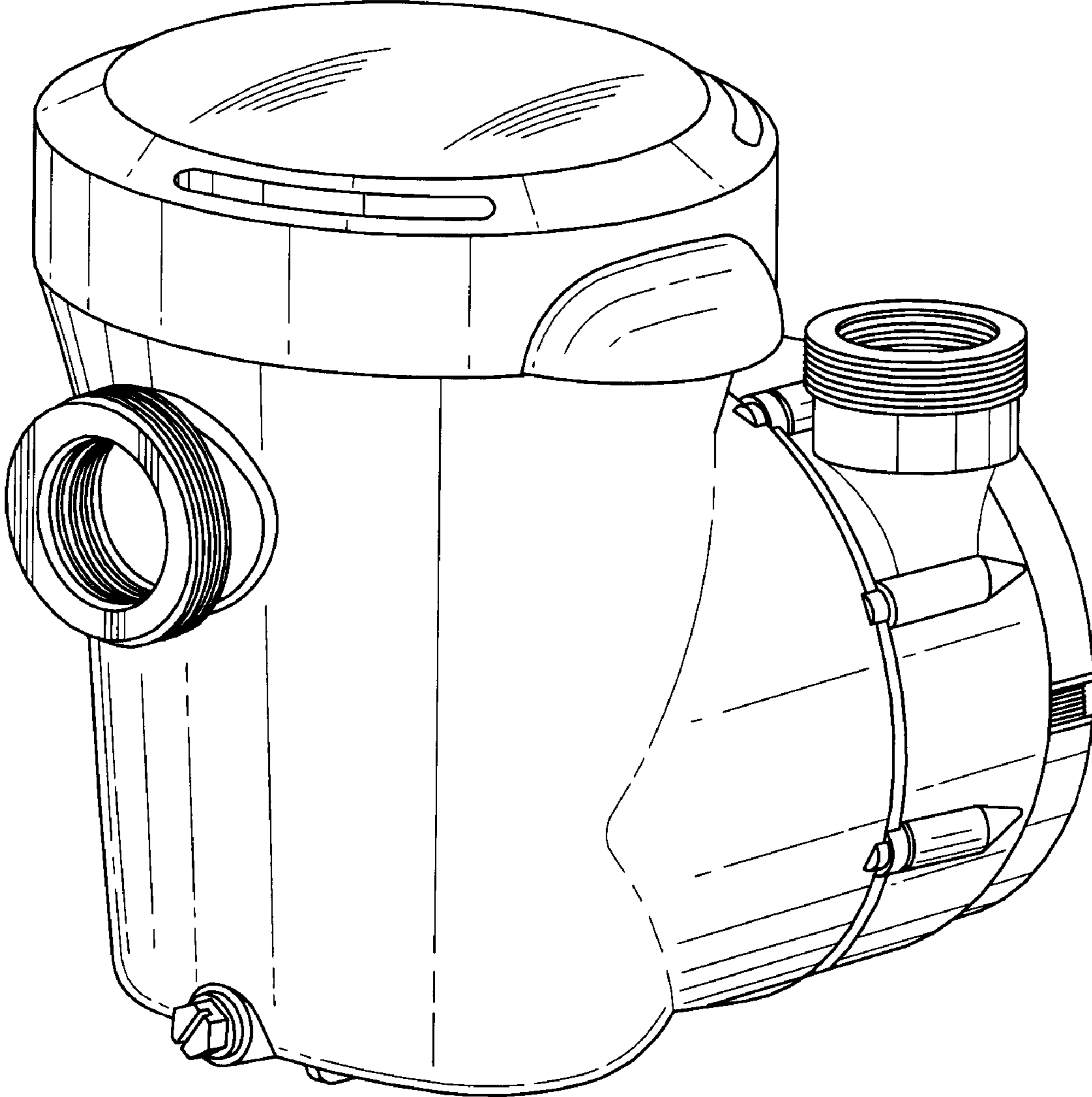


FIG. 1

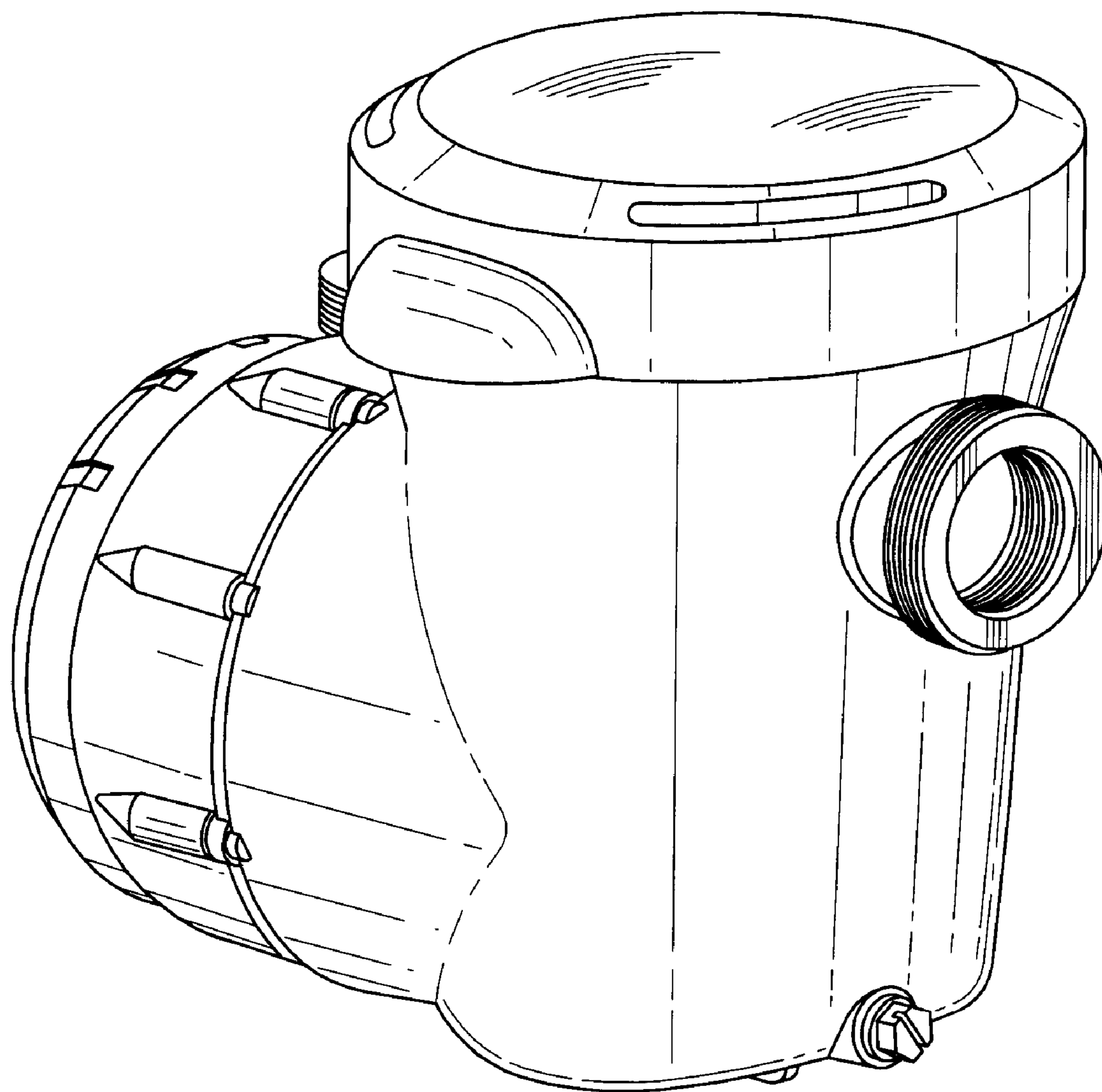


FIG. 2

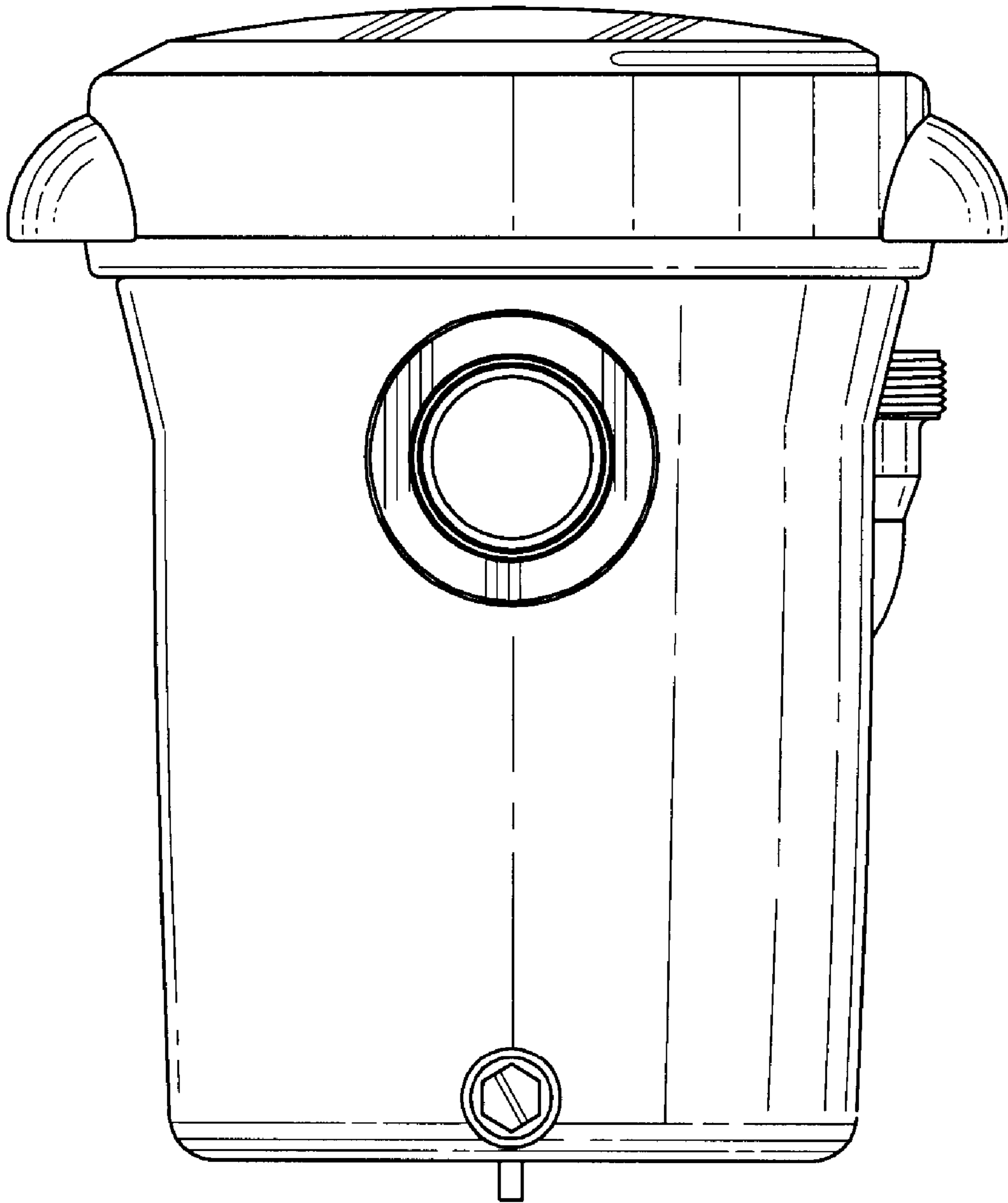


FIG. 3

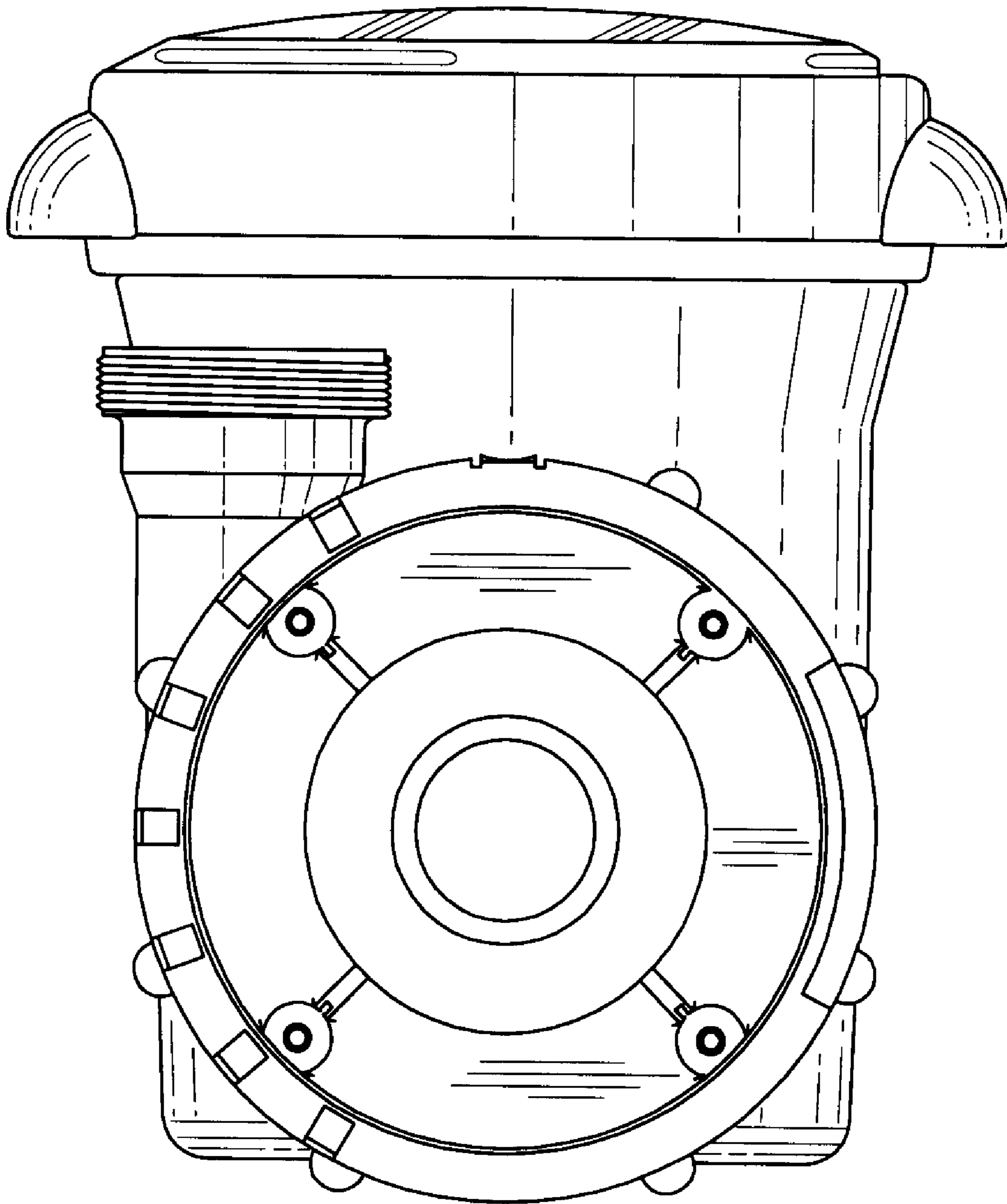


FIG. 4

FIG. 5

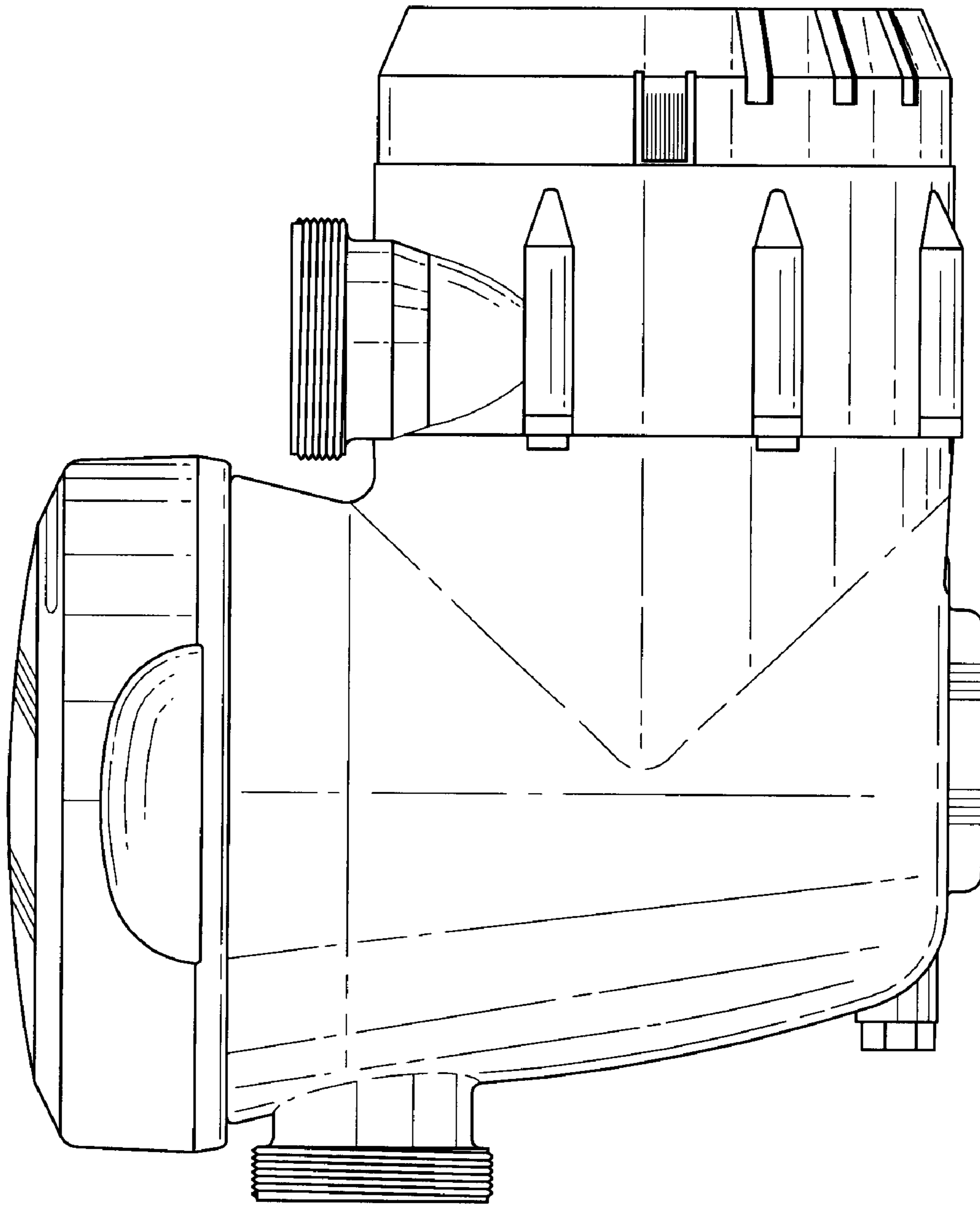
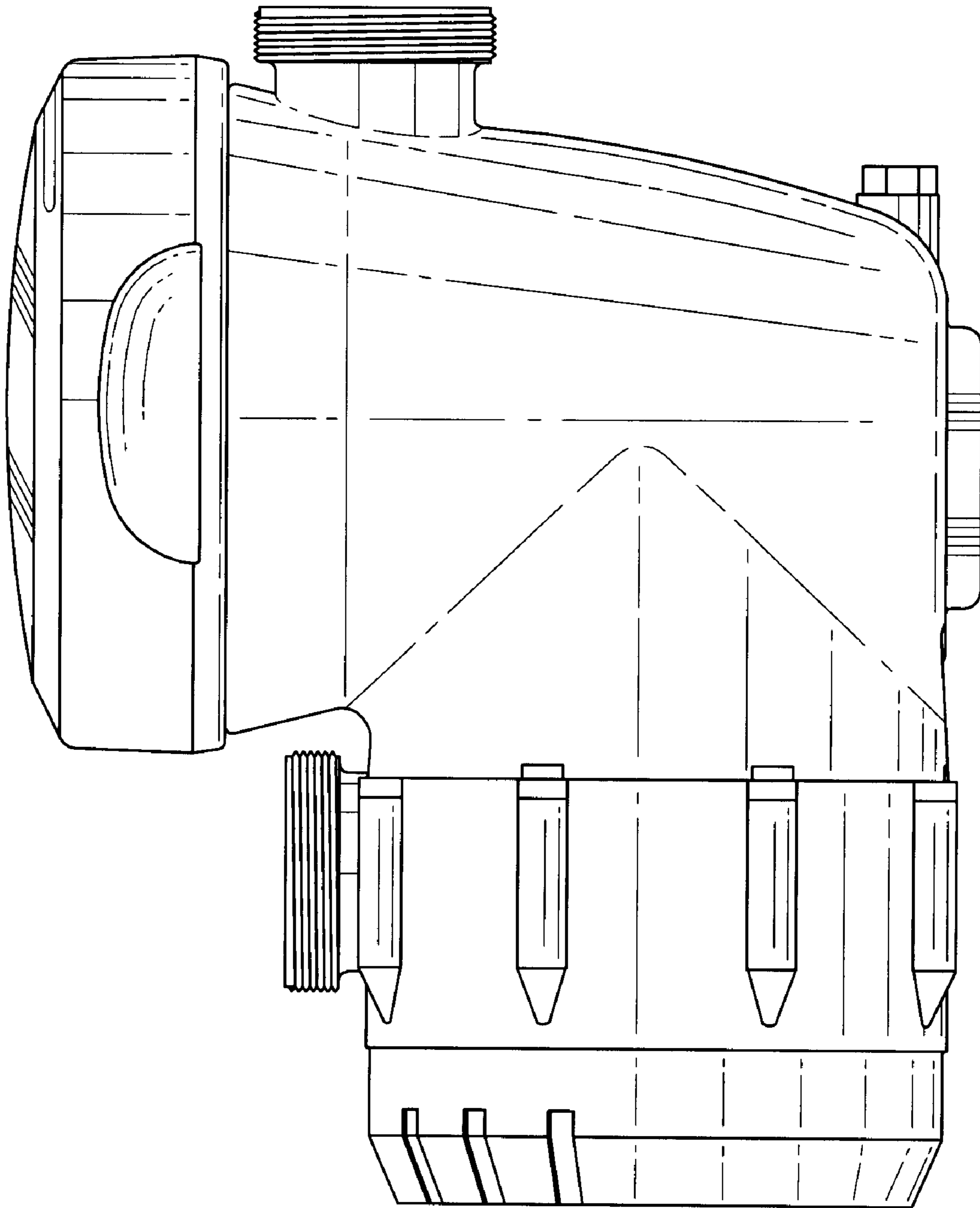


FIG. 6



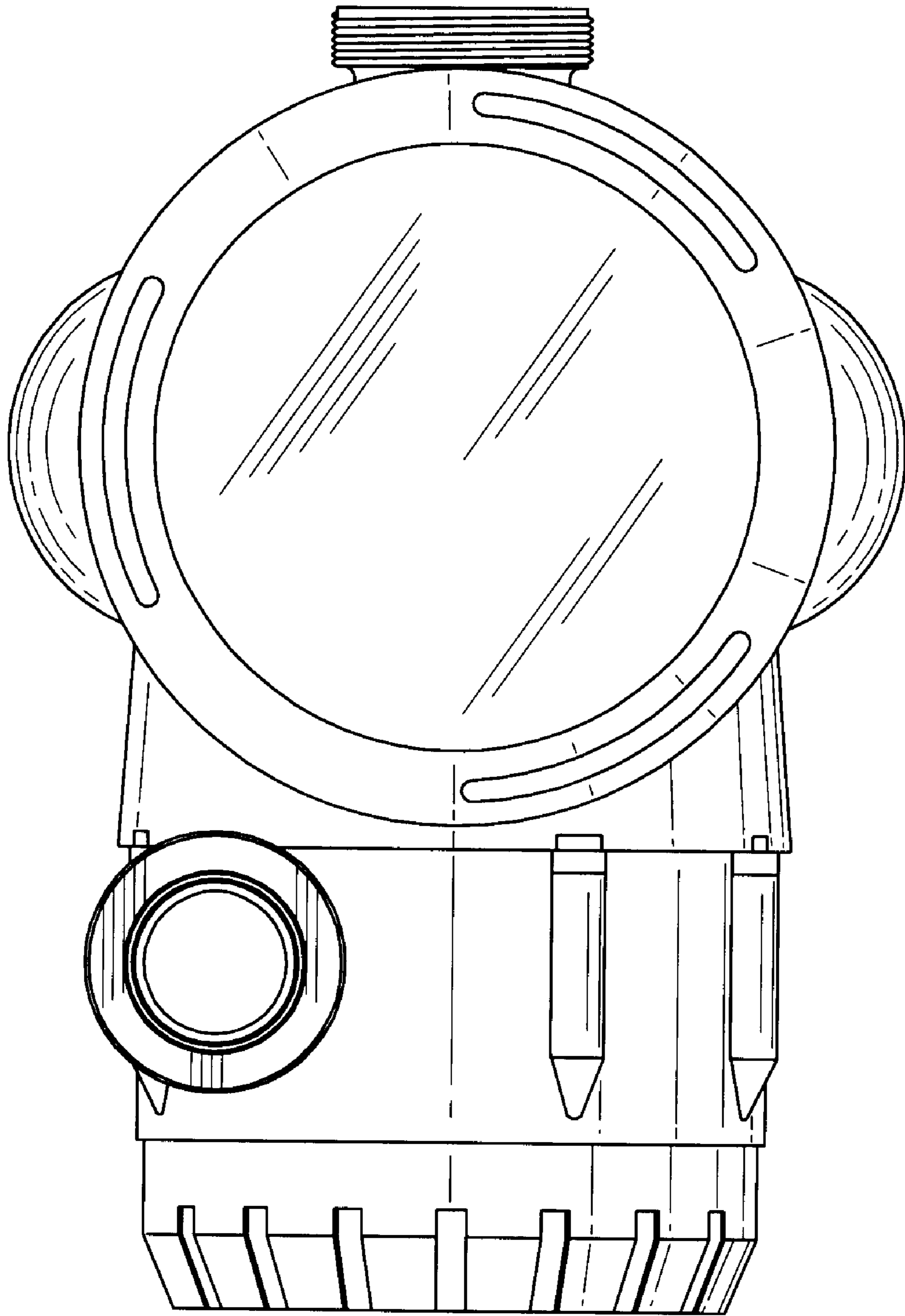


FIG. 7

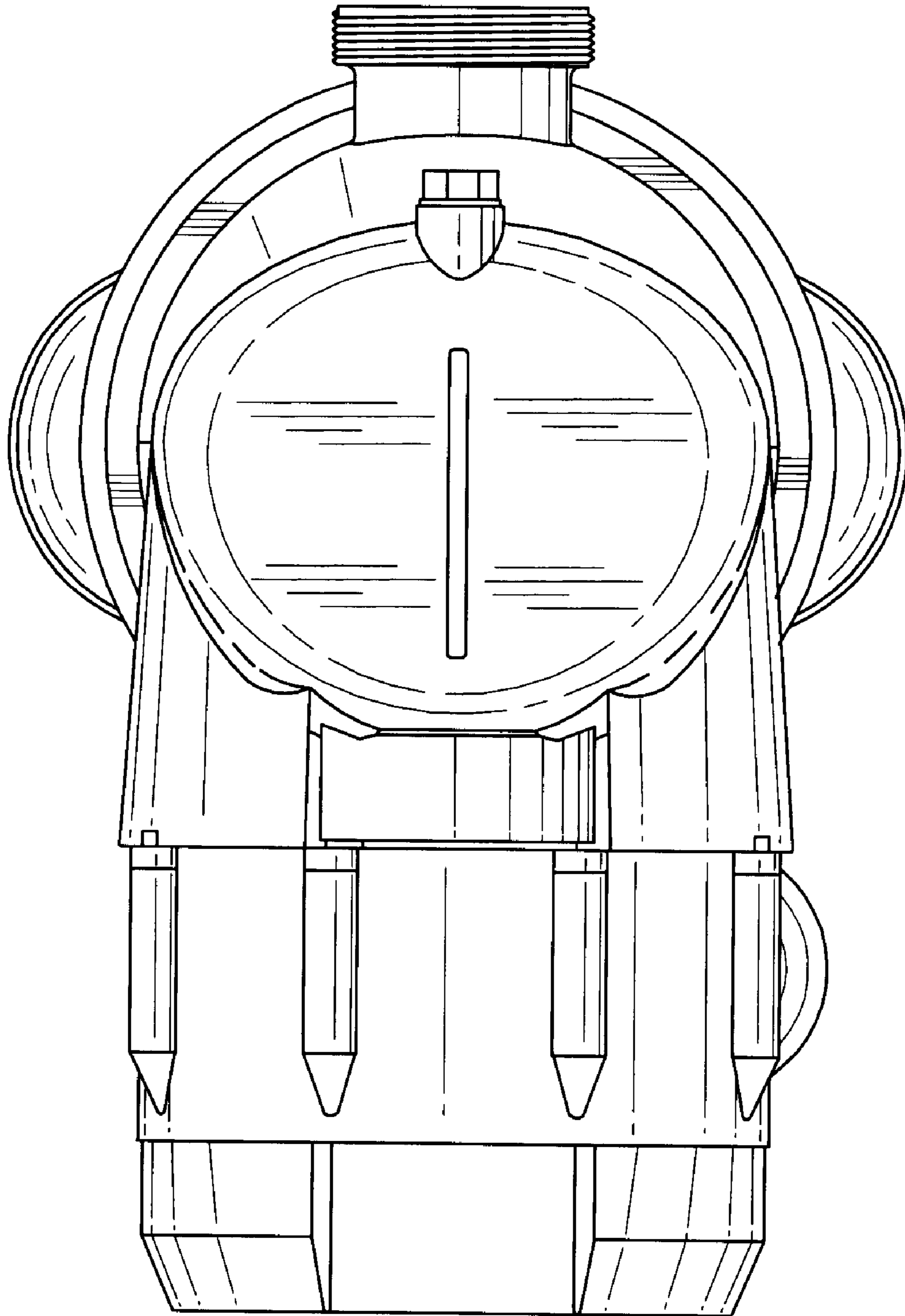


FIG. 8