



US00D536703S

(12) **United States Design Patent**
Kim

(10) **Patent No.:** **US D536,703 S**

(45) **Date of Patent:** **** Feb. 13, 2007**

(54) **MP3 PLAYER**

7,046,230 B2 * 5/2006 Zadesky et al. 345/156

(75) Inventor: **Goang Tae Kim**, Jung-gu (KR)

(73) Assignee: **Samsung Electronics, Co., Ltd.**,
Suwon (KR)

(**) Term: **14 Years**

(21) Appl. No.: **29/231,962**

(22) Filed: **Jun. 13, 2005**

(30) **Foreign Application Priority Data**

Feb. 18, 2005 (KR) 30-2005-0005147

(51) **LOC (8) Cl.** **14-03**

(52) **U.S. Cl.** **D14/496**

(58) **Field of Classification Search** D14/496,
D14/135, 136, 156, 157, 192, 160-168; 455/344-351;
369/75.11; 345/156, 169, 173-179; 463/43-47;
715/716-729, 864; 370/342-344

See application file for complete search history.

(56) **References Cited**

U.S. PATENT DOCUMENTS

5,661,632	A	*	8/1997	Register	361/683
5,859,594	A	*	1/1999	King et al.	340/7.55
6,122,526	A	*	9/2000	Parulski et al.	455/556.1
D490,068	S	*	5/2004	Chen	D14/156
6,769,603	B2	*	8/2004	Nagai et al.	235/375
D504,442	S	*	4/2005	Kim	D14/496
D507,277	S	*	7/2005	Sitoh	D14/496
D509,833	S	*	9/2005	Yang	D14/496
D515,098	S	*	2/2006	Lee	D14/496
D520,515	S	*	5/2006	Sitoh	D14/496

OTHER PUBLICATIONS

Dell Catalogs 2005, 20 GB Junk Box MP3 Player.*
SANDISK.COM, 2005, Digital Audio Player.*

* cited by examiner

Primary Examiner—Prabhakar Deshmukh

(74) *Attorney, Agent, or Firm*—Fellers, Snider,
Blankenship, Bailey & Tippens, P.C.

(57) **CLAIM**

The ornamental design for an MP3 player, as shown and described.

DESCRIPTION

FIG. 1 is a perspective view of an MP3 player showing my new design;

FIG. 2 is a front elevational view thereof;

FIG. 3 is a rear elevational view thereof;

FIG. 4 is a left side elevational view thereof;

FIG. 5 is a right side elevational view thereof;

FIG. 6 is a top plan view thereof;

FIG. 7 is a bottom plan view thereof;

FIG. 8 is a perspective view thereof, with the string connected to a clasp;

FIG. 9 is a perspective view thereof, with the clasp being inserted into the body of MP3 player; and,

FIG. 10 is a perspective view thereof, with the clasp being inserted fully into the MP3 player and the string connected to the clasp.

The broken lines showing of a string is for illustrative purpose only and form no part of the claimed design.

1 Claim, 9 Drawing Sheets

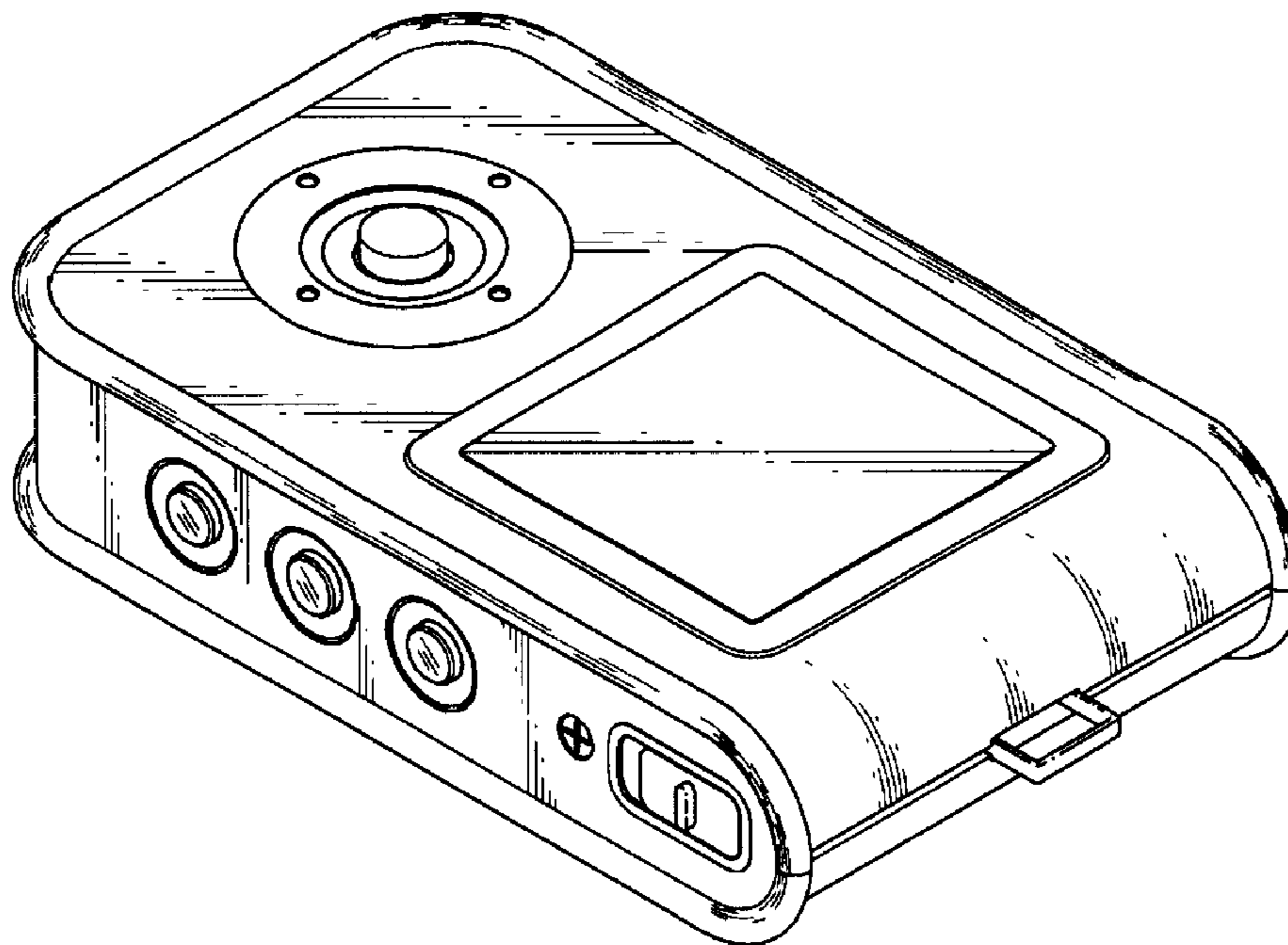


FIG. 1

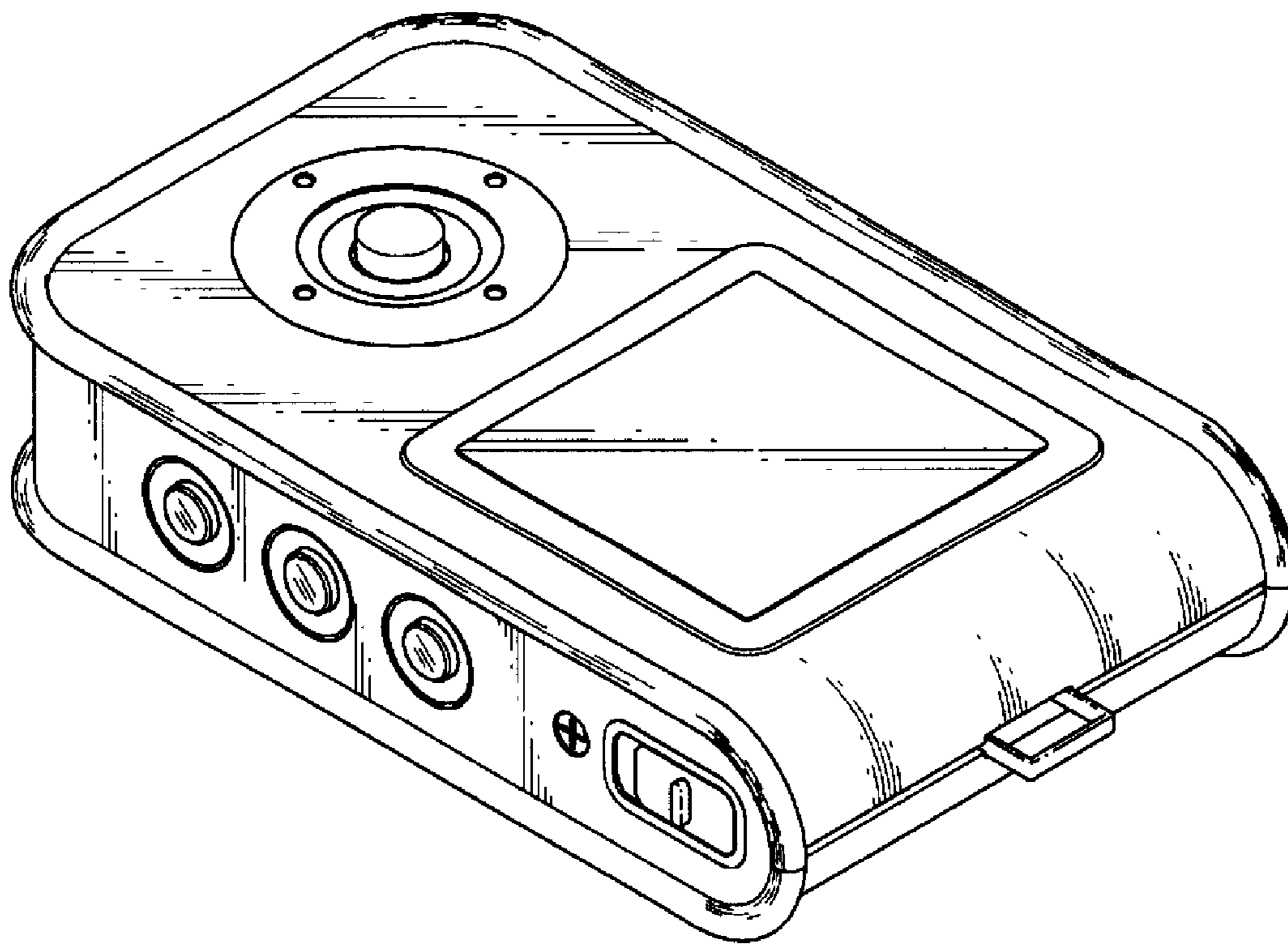


FIG. 2

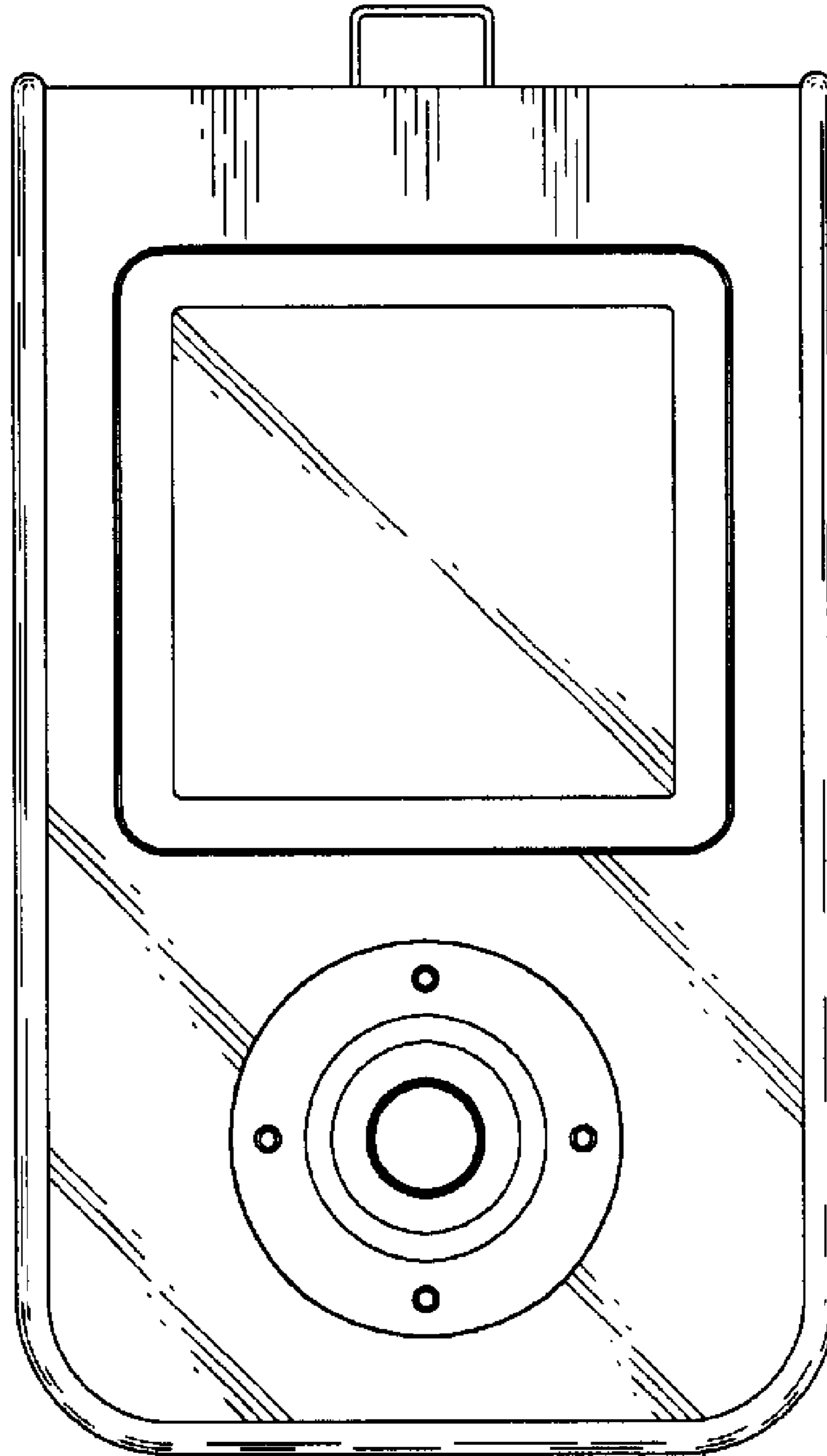


FIG. 3

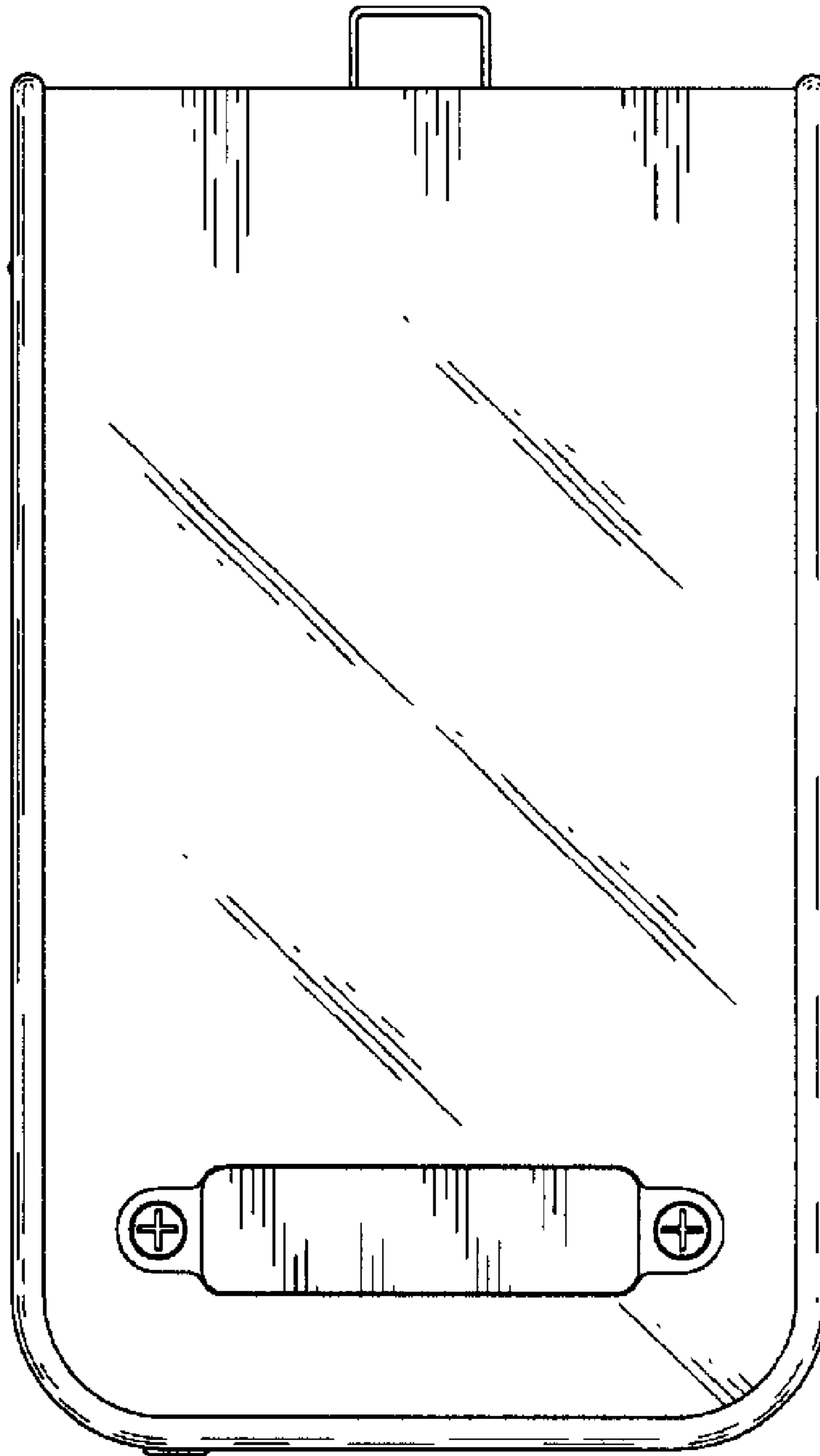


FIG. 4

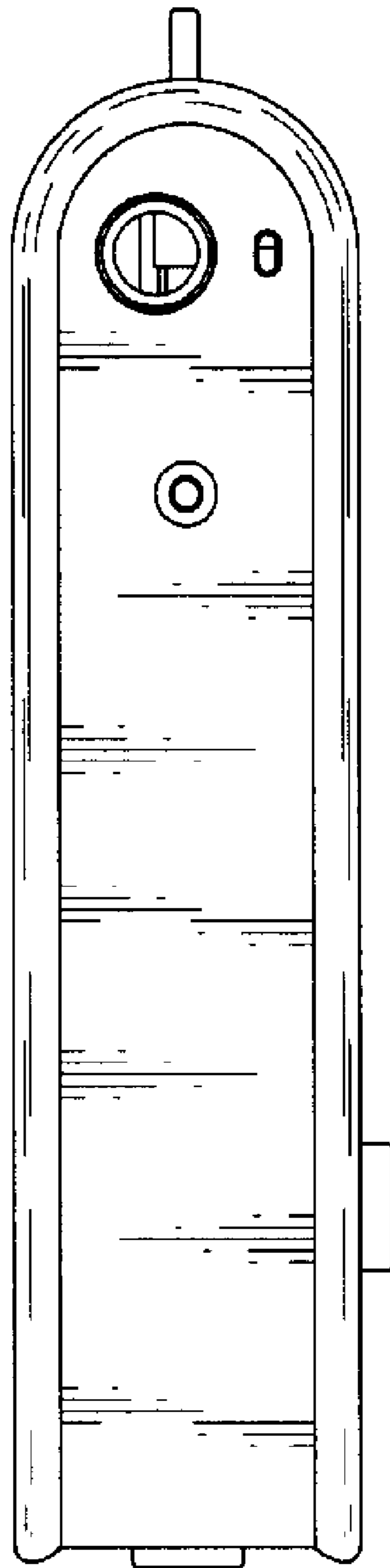


FIG. 5

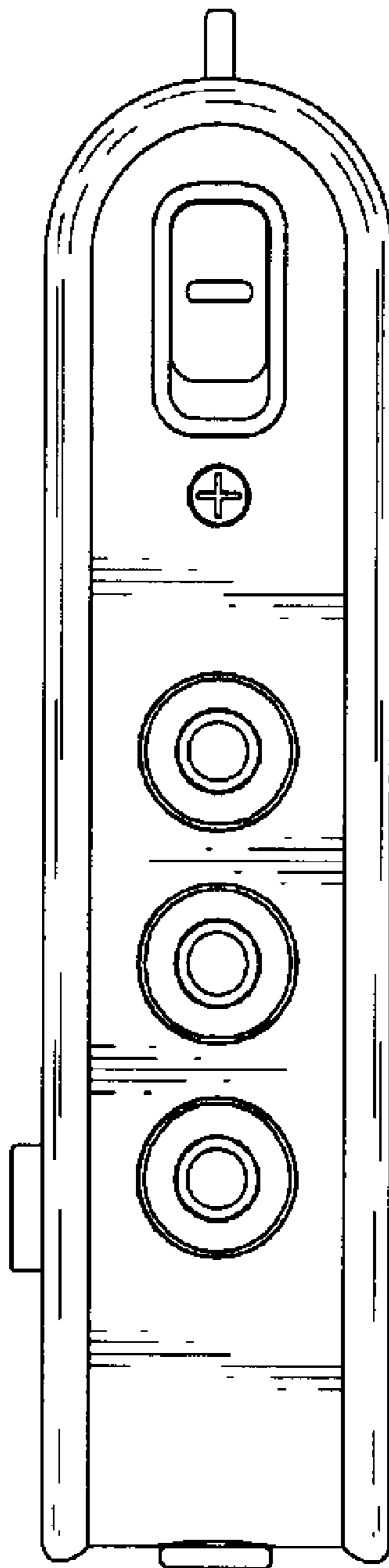


FIG. 6

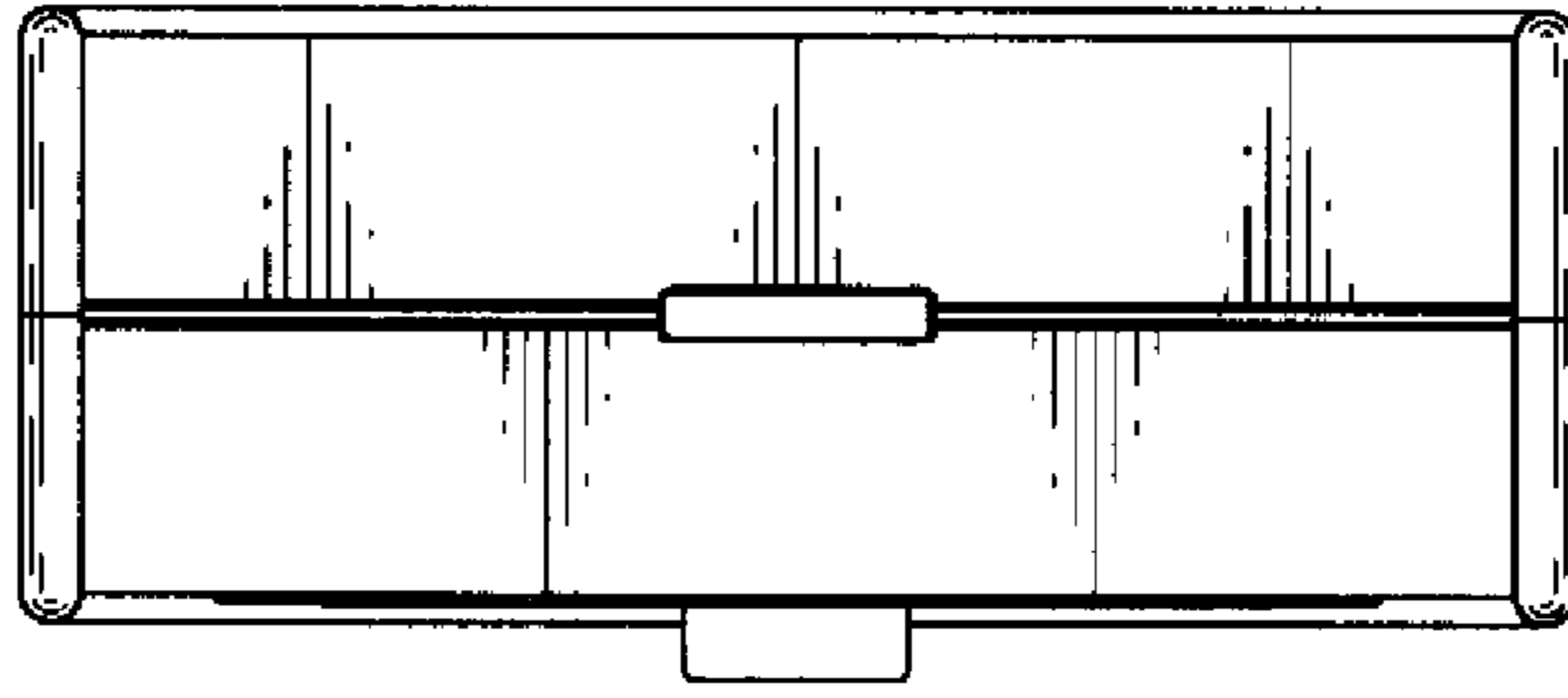


FIG. 7

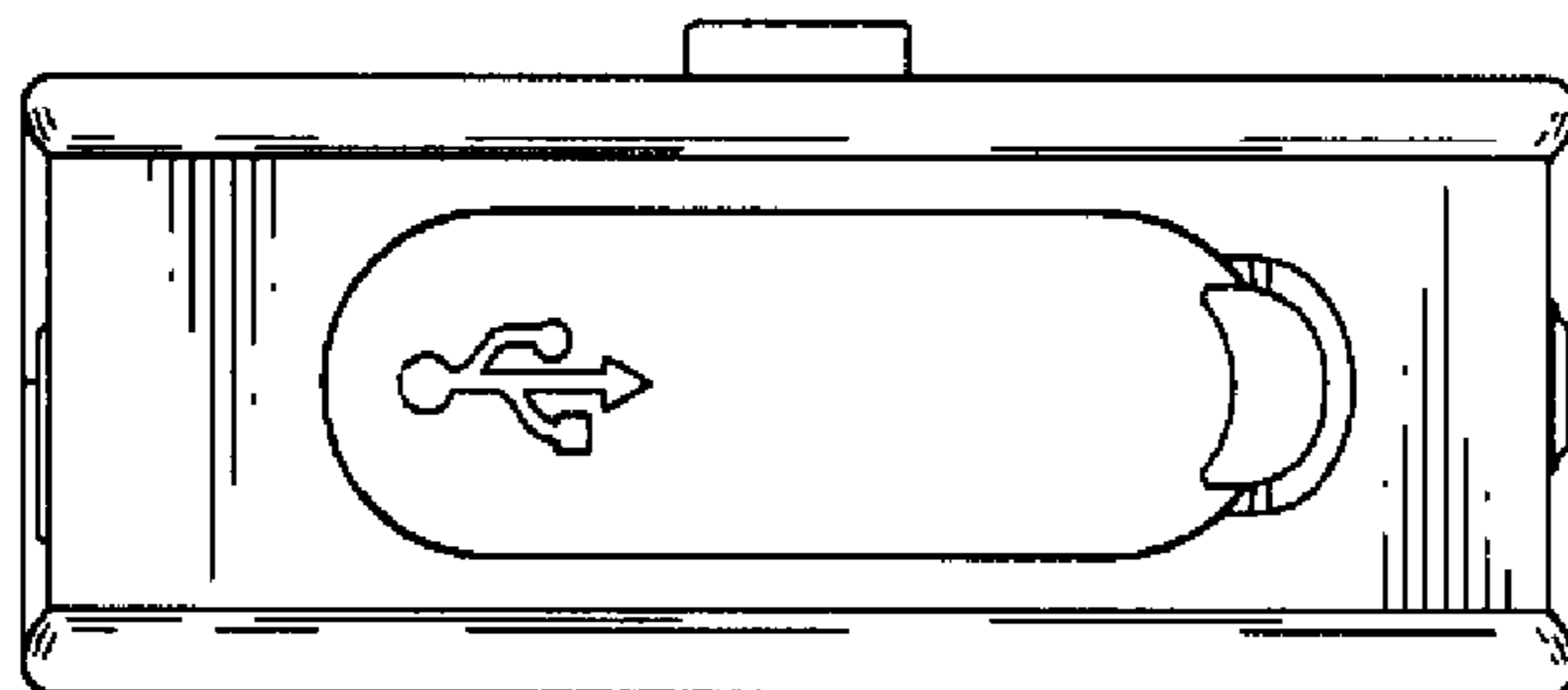


FIG. 8

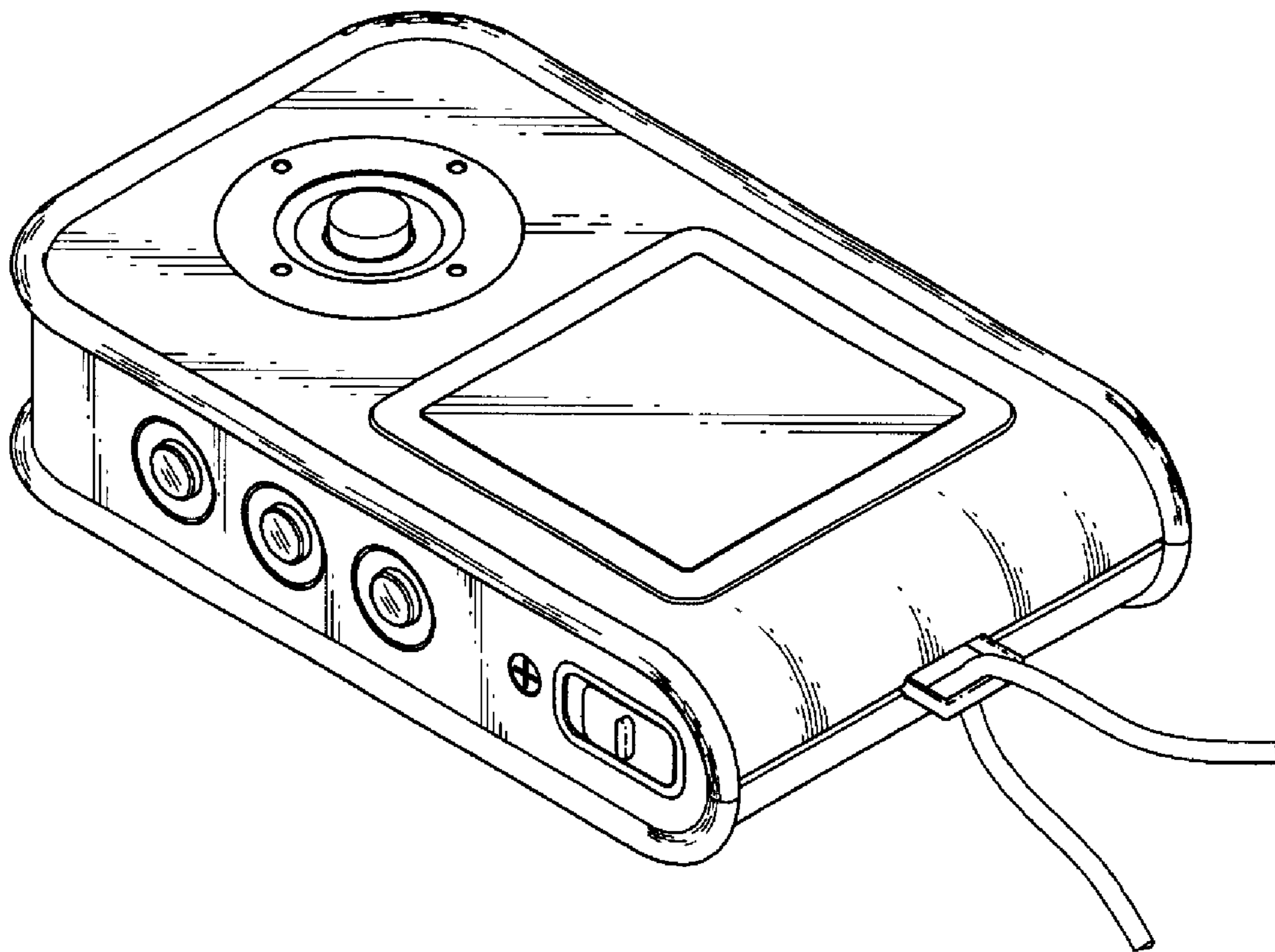


FIG. 9

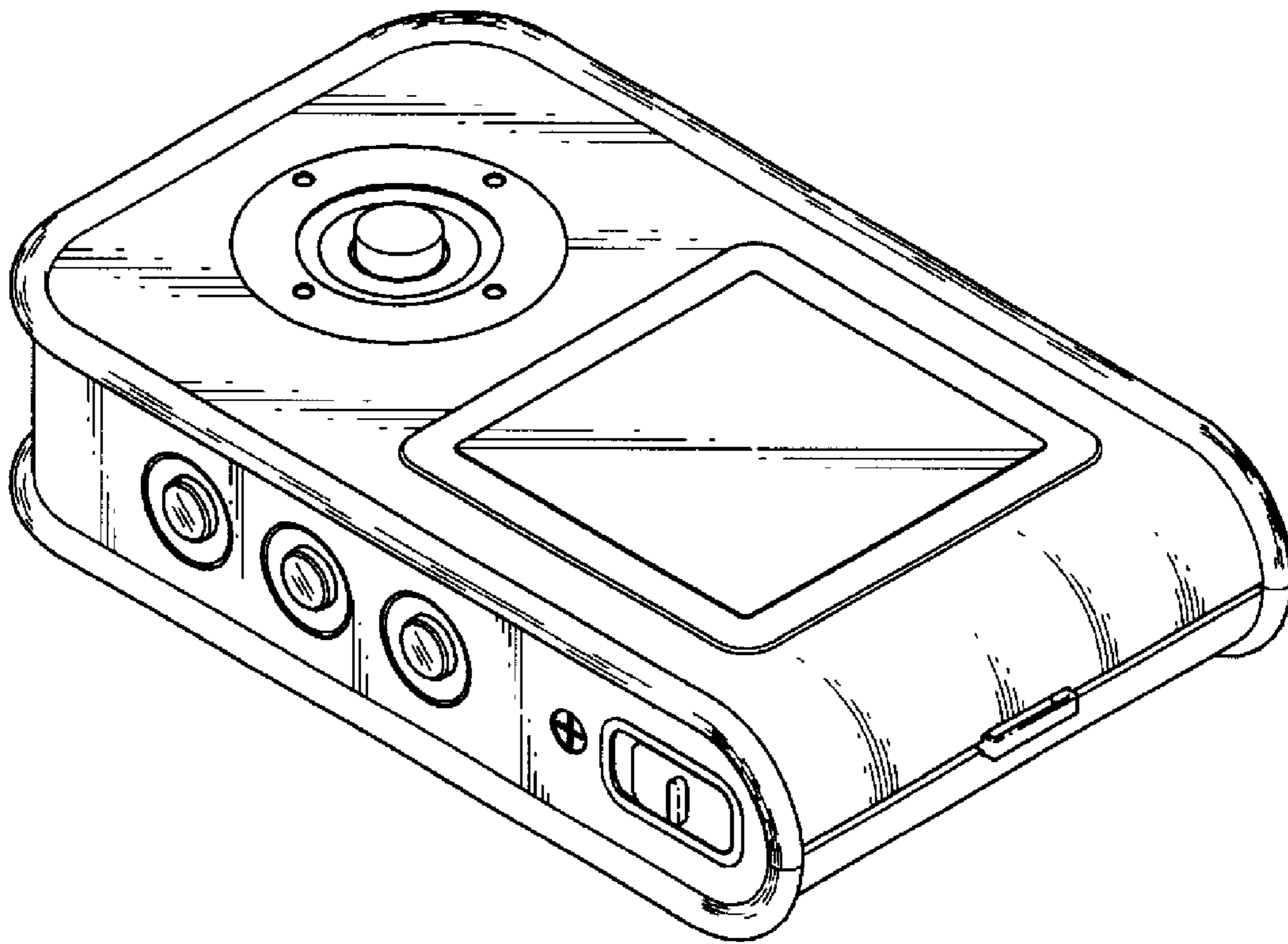


FIG. 10

