



US00D536701S

(12) **United States Design Patent** (10) **Patent No.:** **US D536,701 S**  
**Gusmorino et al.** (45) **Date of Patent:** **\*\* Feb. 13, 2007**

(54) **ICON FOR A PORTION OF A DISPLAY SCREEN**

(75) Inventors: **Paul Gusmorino**, Seattle, WA (US);  
**Greg S. Melander**, Redmond, WA (US); **Cornelis K. Van Dok**, Bellevue, WA (US); **Charles W. Stabb**, Seattle, WA (US)

(73) Assignee: **Microsoft Corporation**, Redmond, WA (US)

(\*\*) Term: **14 Years**

(21) Appl. No.: **29/228,413**

(22) Filed: **Apr. 22, 2005**

(51) **LOC (8) Cl.** ..... **14-04**

(52) **U.S. Cl.** ..... **D14/492**

(58) **Field of Classification Search** ..... D14/485-95;  
D18/32, 33; D19/6, 1; D20/11; D21/324,  
D21/329; 715/700-866

See application file for complete search history.

(56) **References Cited**

**U.S. PATENT DOCUMENTS**

2,260,407	A	*	10/1941	Schade	.....	40/359
5,683,111	A	*	11/1997	Bass et al.	.....	281/21.1
5,692,205	A	*	11/1997	Berry et al.	.....	715/526
5,727,816	A	*	3/1998	Ong	.....	281/29
D393,852	S	*	4/1998	Norton	.....	D14/493
5,767,853	A	*	6/1998	Yoshida et al.	.....	715/839
D397,999	S	*	9/1998	Kovanen et al.	.....	D14/486
5,801,702	A	*	9/1998	Dolan et al.	.....	715/854
5,825,349	A	*	10/1998	Meier et al.	.....	345/684
5,917,492	A	*	6/1999	Bereiter et al.	.....	715/854
5,929,851	A	*	7/1999	Donnelly	.....	715/762
5,944,352	A	*	8/1999	Crouch et al.	.....	281/21.1
6,057,841	A	*	5/2000	Thurlow et al.	.....	715/809
6,078,325	A	*	6/2000	Jolissaint et al.	.....	715/839
6,097,389	A	*	8/2000	Morris et al.	.....	715/804

6,108,953	A	*	8/2000	Hall	.....	40/359
6,246,410	B1	*	6/2001	Bergeron et al.	.....	715/854
6,332,630	B1	*	12/2001	Wolff et al.	.....	281/29
6,339,780	B1	*	1/2002	Shell et al.	.....	715/526
D454,356	S	*	3/2002	Hoxie et al.	.....	D14/488
6,466,238	B1	*	10/2002	Berry et al.	.....	715/847
D471,916	S	*	3/2003	Chaudhri et al.	.....	D14/493
6,850,255	B2	*	2/2005	Muschetto	.....	715/788
2002/0018051	A1	*	2/2002	Singh	.....	345/173
2002/0191029	A1	*	12/2002	Gillespie et al.	.....	345/810
2002/0196288	A1	*	12/2002	Emrani	.....	345/810

**OTHER PUBLICATIONS**

B.A. Pargh Co. Catalog, 1985, p. 57.\*  
B.A. Pargh Co. Catalog, 1992, p. 76.\*  
Firefly Visual Dictionary, Firefly Books Ltd., 2002, p. 532.\*  
Click Art Incredible T/Maker Co., 1993 Image Pak 2000, p. 26 "FileFldr".\*  
The Icon Book, William Horton, John Wiley + Sons 1994, p. 380.\*  
MasterClips Vector Clip Art, IMSI 1997, p. 11-17.\*  
Corel Word Perfect Suit 8 Clipart, Corel Corp. 1997, pp. 102.\*

\* cited by examiner

*Primary Examiner*—M. H. Tung  
*Assistant Examiner*—Susan Moon Lee  
(74) *Attorney, Agent, or Firm*—Banner & Witcoff, Ltd.

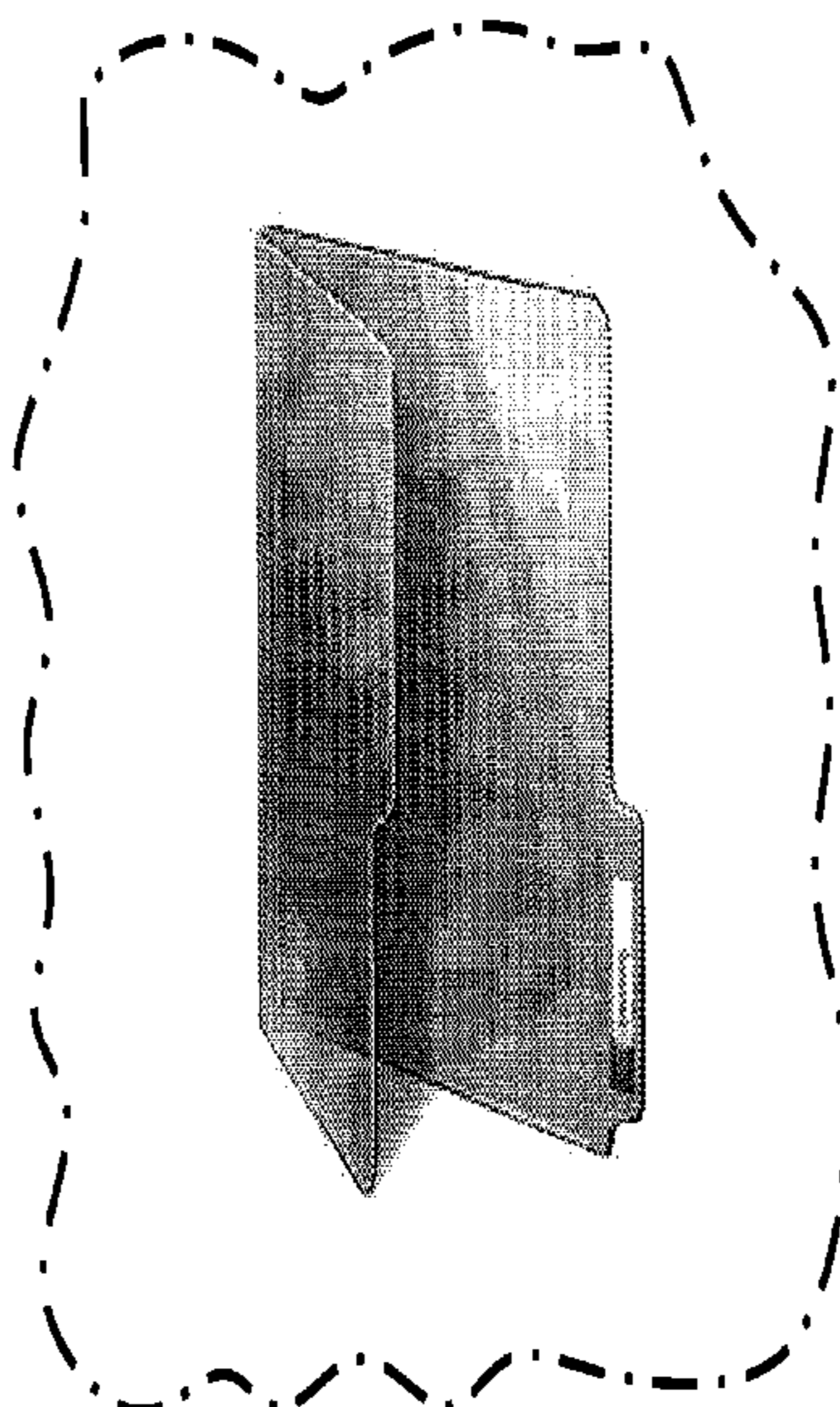
(57) **CLAIM**

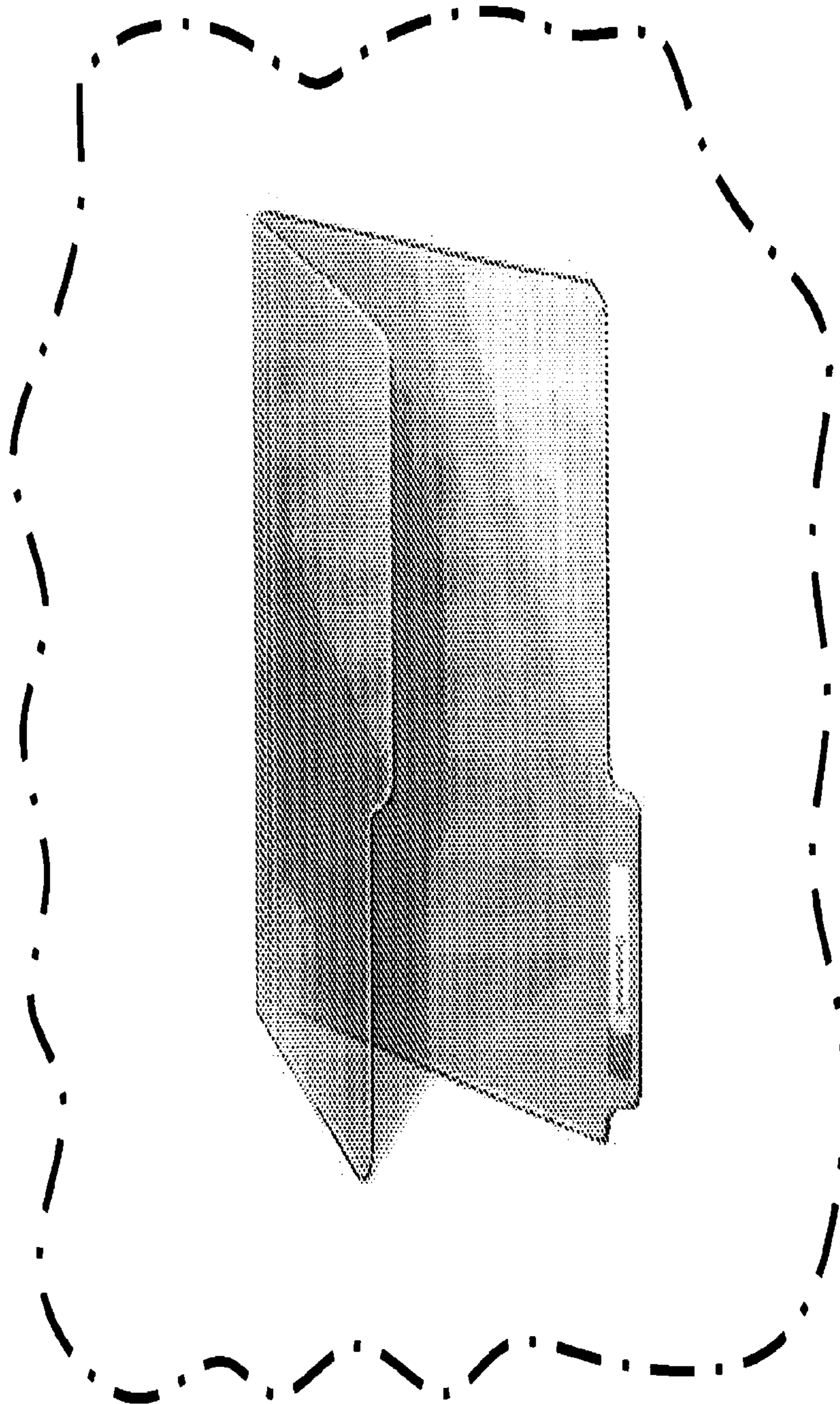
The ornamental design for an icon for a portion of a display screen, as shown and described.

**DESCRIPTION**

The FIGURE is a front view of an icon for a portion of a display screen showing our new design. The broken line showing of a portion of a display screen is for illustrative purposes only and forms no part of the claimed design.

**1 Claim, 1 Drawing Sheet**





FIGURE