



US00D536700S

(12) **United States Design Patent**
Landau

(10) **Patent No.:** **US D536,700 S**

(45) **Date of Patent:** **** Feb. 13, 2007**

(54) **CYLINDER-SHAPED COMPUTER MEMORY DEVICE**

(76) Inventor: **Steven Landau**, 2 Keswick Dr., Voorhees, NJ (US) 08043

(**) Term: **14 Years**

(21) Appl. No.: **29/228,724**

(22) Filed: **Apr. 27, 2005**

(51) **LOC (8) Cl.** **14-02**

(52) **U.S. Cl.** **D14/435**

(58) **Field of Classification Search** D14/356, D14/242, 433-436; 360/97.01; 361/685, 361/686, 752, 737; 439/135, 144, 139-141, 439/147, 136, 638, 518; 365/51, 63, 131; 710/52, 300; D24/104, 217, 224; D6/534; 220/691, 4.21, 780, 680, DIG. 34; D9/521, D9/529, 687; D3/201; D28/5; 132/310, 289; 206/362.2

See application file for complete search history.

(56) **References Cited**

U.S. PATENT DOCUMENTS

2,599,019 A * 6/1952 Rupert 132/289
D231,616 S * 5/1974 Hildebrant et al. D24/224

(Continued)

OTHER PUBLICATIONS

“TikiMac offers Devil Duckie Flash Drive,” <http://www.macminute.com/2004/03/03/04/devilduckie>; 1 page, Mar. 4, 2004.

Press Release, http://216.239.39.104/translate_c?hl=en&u=http://www.solidalliance.com/press/press.html%23090102; 8 pages; various dates in 2004; printed from the Internet Mar. 29, 2005.

Press Release, “SushiDisk”, Dec. 14, 2004; http://216.239.39.104/translate_c?hl=en&u=http://www.solidalliance.com/press/press.html%23090102, 2 pp. Mar. 29, 2005.

“PEZ MEMORY STICK;” <http://crap.mousetoy.com/pez.html>; pp. 1-4, printed from Internet Mar. 29, 2005.

http://www.akihabaraneews.com/news_pics/9347/3.jpg<; printed from Internet Mar. 29, 2005.

“Custom Shape USB Flash Drive With Pop Up Function,” 2 pp., publication available prior to Feb. of 2005, source unknown.

b3ta.com;<http://www.b3ta.com/board/4577623>; May 11, 2005, pp. 1-2, May 1, 2005.

Kelly, Gordon, “TrustedReviews-SanDisk Readies Products For UK Market and Hypes Up TransFlash,” Feb. 2, 2005, 3 pp., printed from Internet Jun. 7, 2005.

Har-even Benny, “TrustedReviews-SanDisk Offers SD Card With Integrated USB 2.0,” Jan. 24, 2005, 3 pp., printed from Internet May 27, 2005.

“USBLIne-The ultimate Source For Your High-Tech Promotional Needs”, Our USB Flash Drive Products, http://www.usblin.com/usbfd_cat.htm, 4 pp., printed from Internet, Dec. 7, 2005.

(Continued)

Primary Examiner—M. H. Tung

Assistant Examiner—Susan Moon Lee

(57) **CLAIM**

The ornamental design for a cylinder-shaped computer memory device, as shown and described.

DESCRIPTION

FIG. 1 is a three dimensional exploded view of a cylinder-shaped computer memory device in accordance with the present invention;

FIG. 2 is a front exploded view thereof;

FIG. 3 is a rear exploded view thereof;

FIG. 4 is a side exploded view thereof;

FIG. 5 is a top plan view thereof;

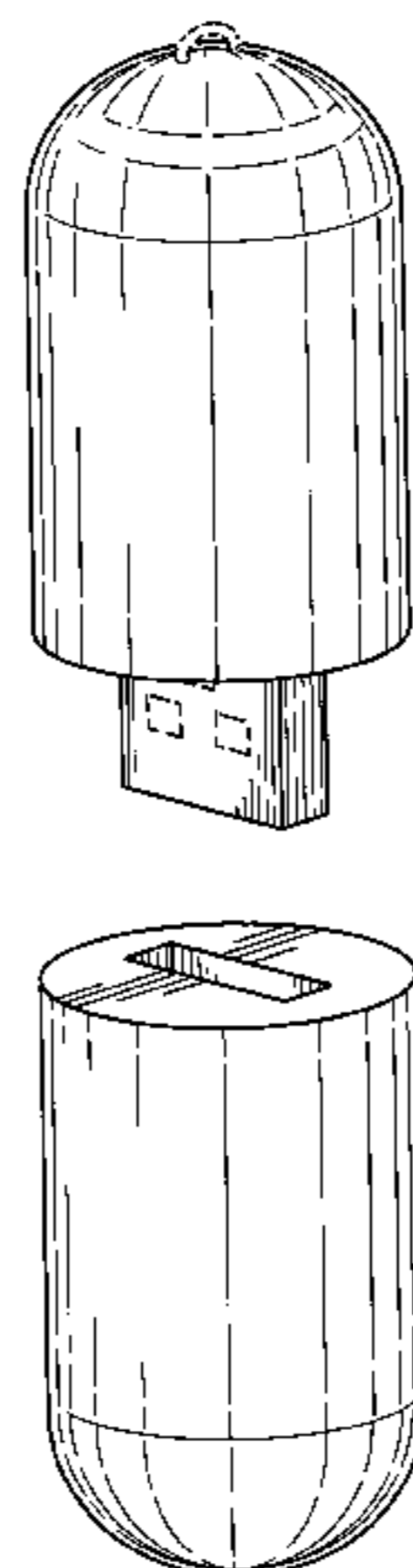
FIG. 6 is a bottom plan view thereof;

FIG. 7 is a front assembled view thereof; and,

FIG. 8 is a three dimensional view thereof wherein the top portion is shown separately to show engagement to a laptop computer.

The broken line matter is for illustrative purposes only and forms no part of the claimed design.

1 Claim, 6 Drawing Sheets



U.S. PATENT DOCUMENTS

D235,215 S * 5/1975 Larsen D24/104
 D268,867 S * 5/1983 Sanderson et al. D24/217
 D281,281 S * 11/1985 Matalon D28/5
 4,570,652 A * 2/1986 Chavez 132/310
 D284,411 S * 6/1986 Taylor, Jr. D24/104
 D319,875 S * 9/1991 Lackey et al. D24/217
 D361,507 S * 8/1995 Langemann D3/201
 5,769,267 A * 6/1998 Duynslager et al. 220/691
 D408,378 S 4/1999 Tyler et al.
 D408,803 S 4/1999 Tyler et al.
 D429,728 S 8/2000 Hays
 D430,569 S 9/2000 Hays
 D449,615 S 10/2001 Lloyd
 D456,813 S 5/2002 Hays
 D464,425 S * 10/2002 Meron et al. D24/104
 6,522,534 B1 * 2/2003 Wu 361/686
 6,522,552 B1 2/2003 Lee
 D473,859 S * 4/2003 Rivera D14/223
 6,551,613 B1 * 4/2003 Dong et al. 424/451
 6,648,224 B2 11/2003 Lee

6,654,841 B2 11/2003 Lin
 6,733,329 B2 5/2004 Yang
 6,744,634 B2 6/2004 Yen
 D497,616 S 10/2004 Ma et al.
 6,813,164 B2 11/2004 Yen
 6,848,045 B2 1/2005 Long et al.
 D502,216 S 2/2005 Chen
 2004/0103064 A1 5/2004 Howard et al.

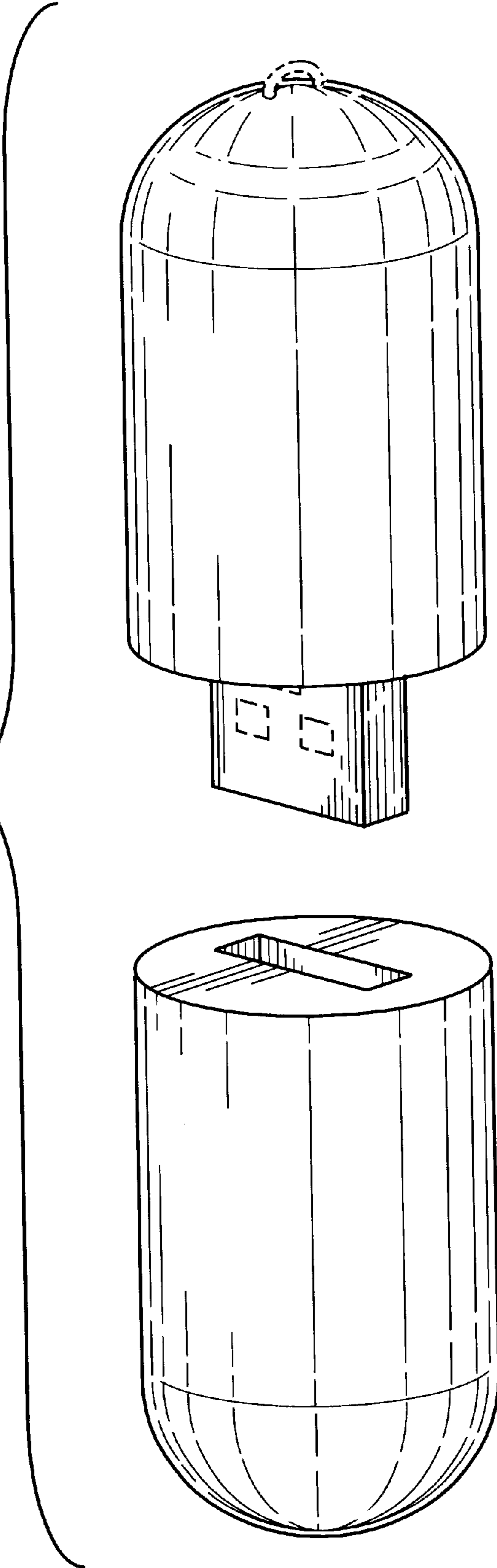
OTHER PUBLICATIONS

ISO/IEC JTC 1/SC 17 N –Date: Dec. 15, 2003; “Identification Cards –Integrated Circuit Cards –Part 12: Cards with contacts: USB Electrical Interface and Operating Procedures”; Std–Version 2.1 TM ISO/IE 2003 –All rights reserved; 61 pages.

Nathan, et al.; Universal Serial Bus; Device Class Specification for “USB Chip/Smart Card Interface Devices”; Revision 1.00; Mar. 20, 2001; 135 pages.

* cited by examiner

FIG. 1



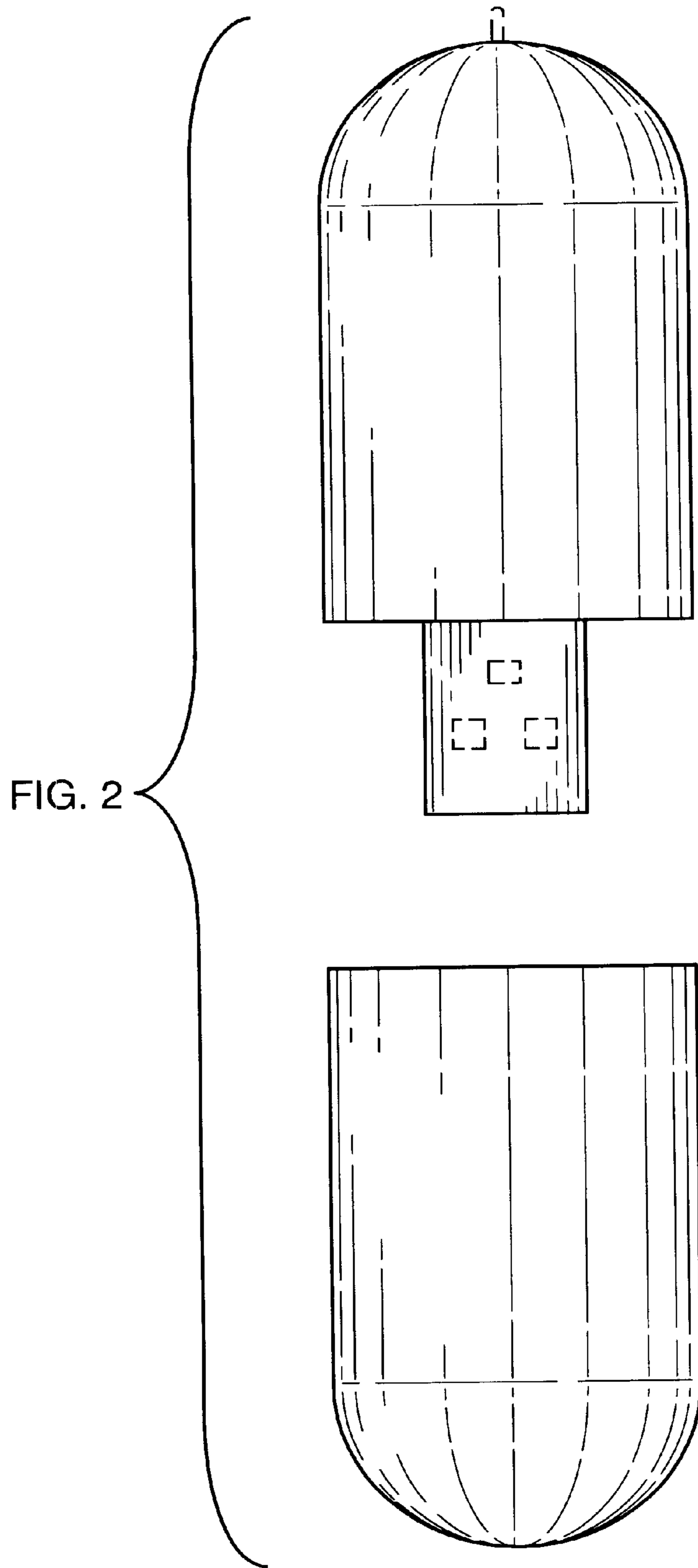
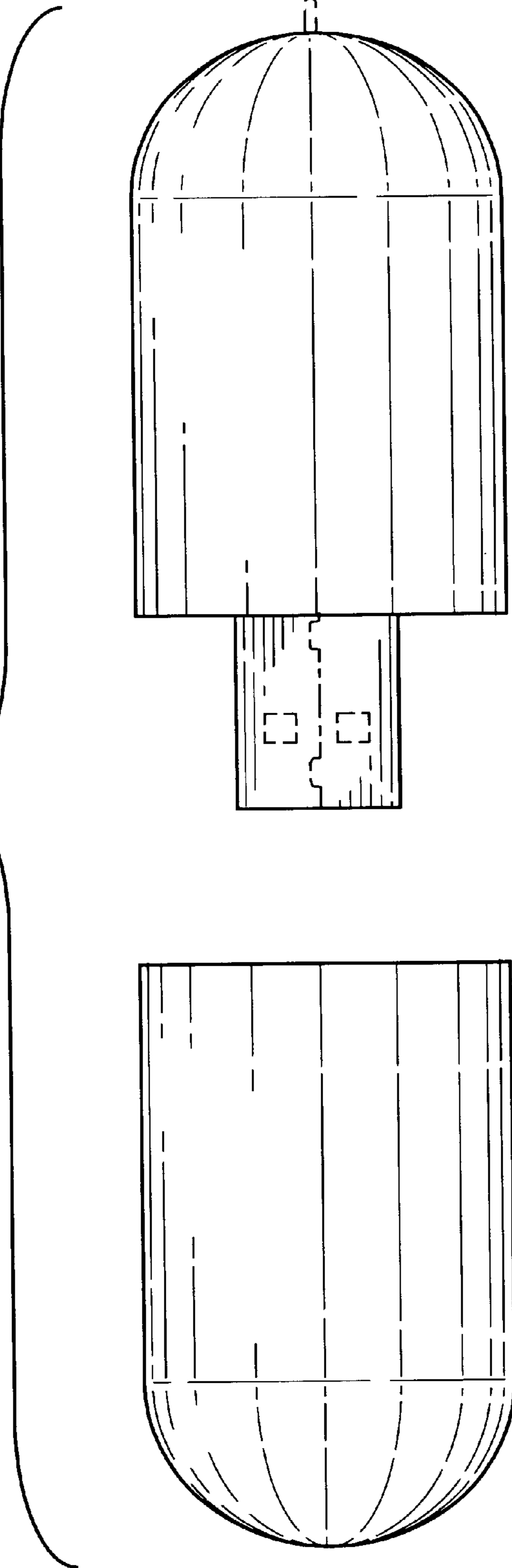


FIG. 3



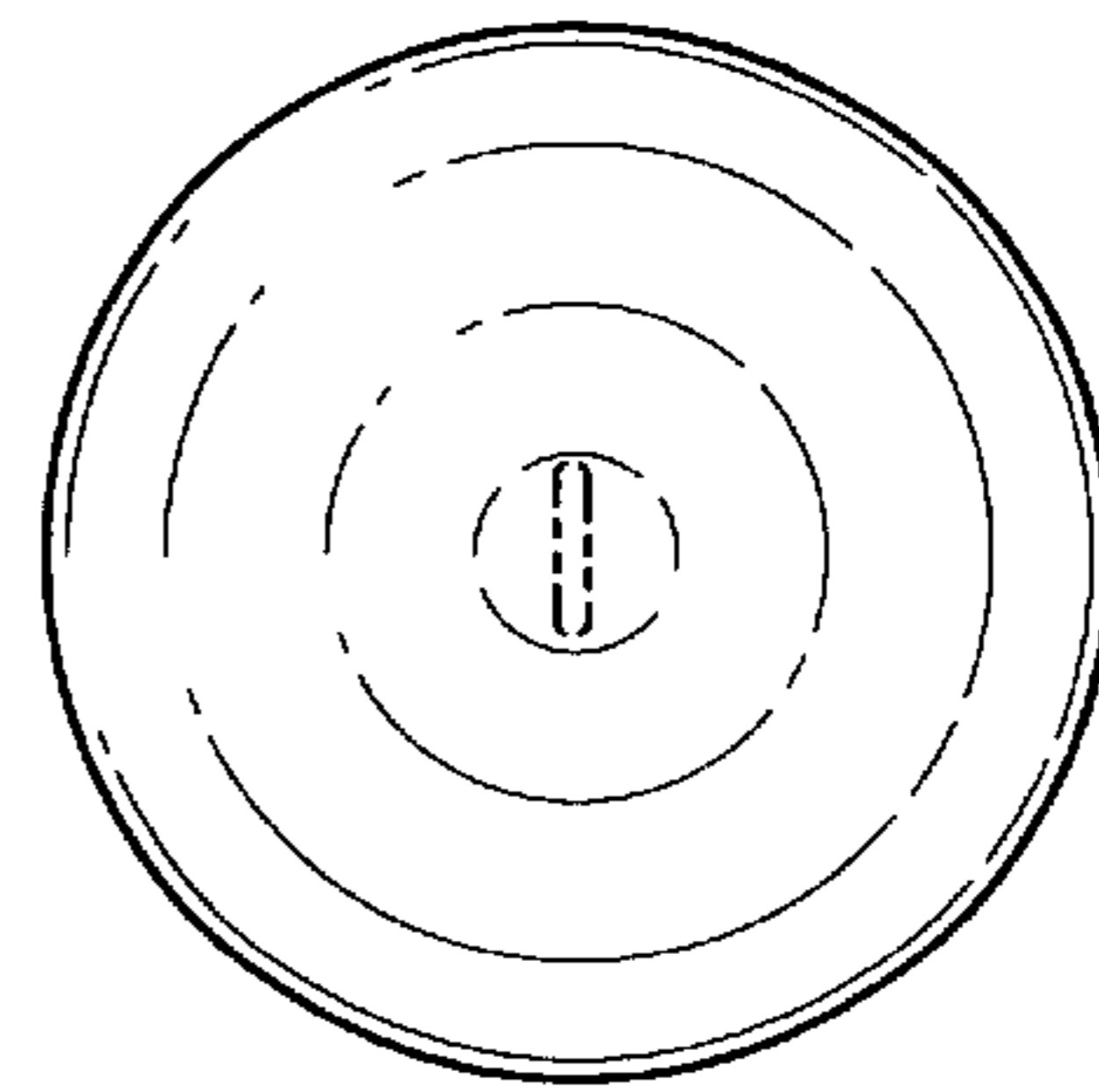
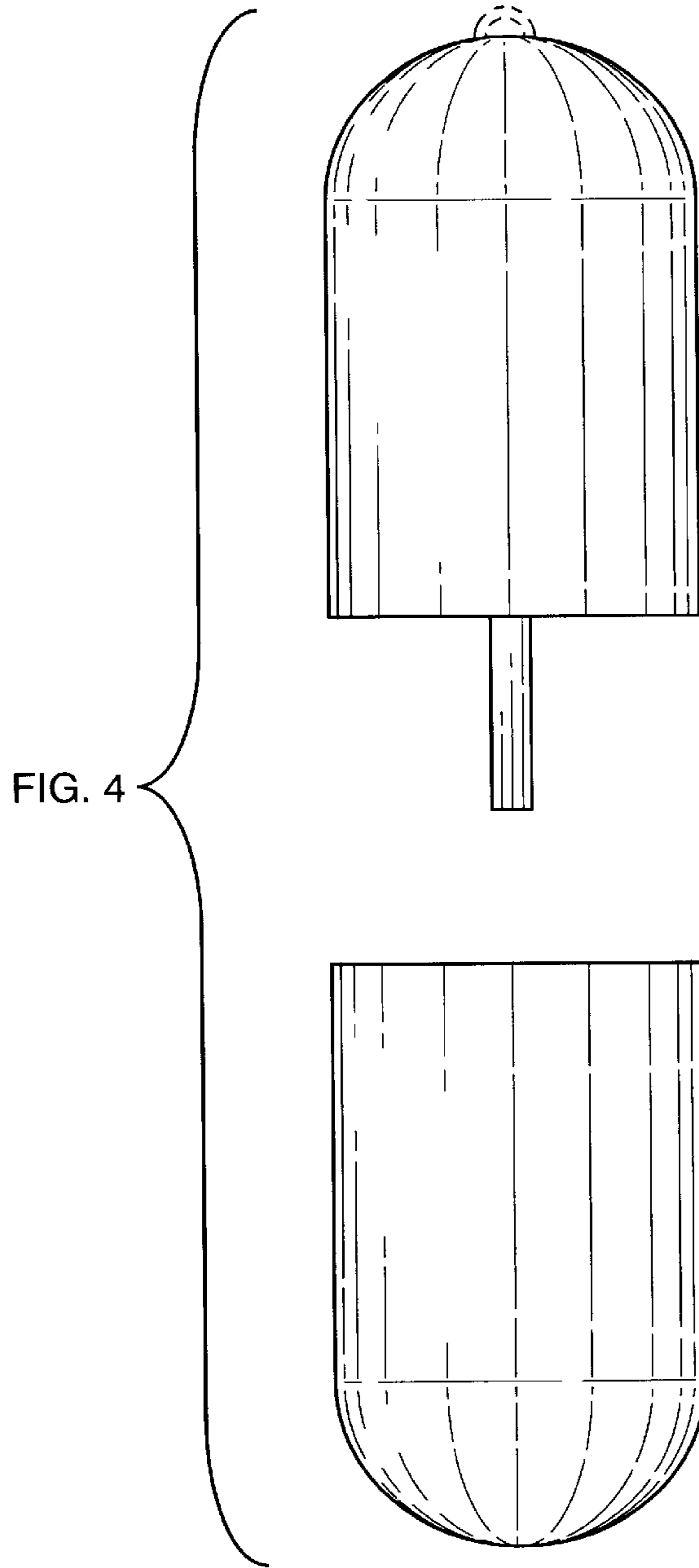


FIG. 5

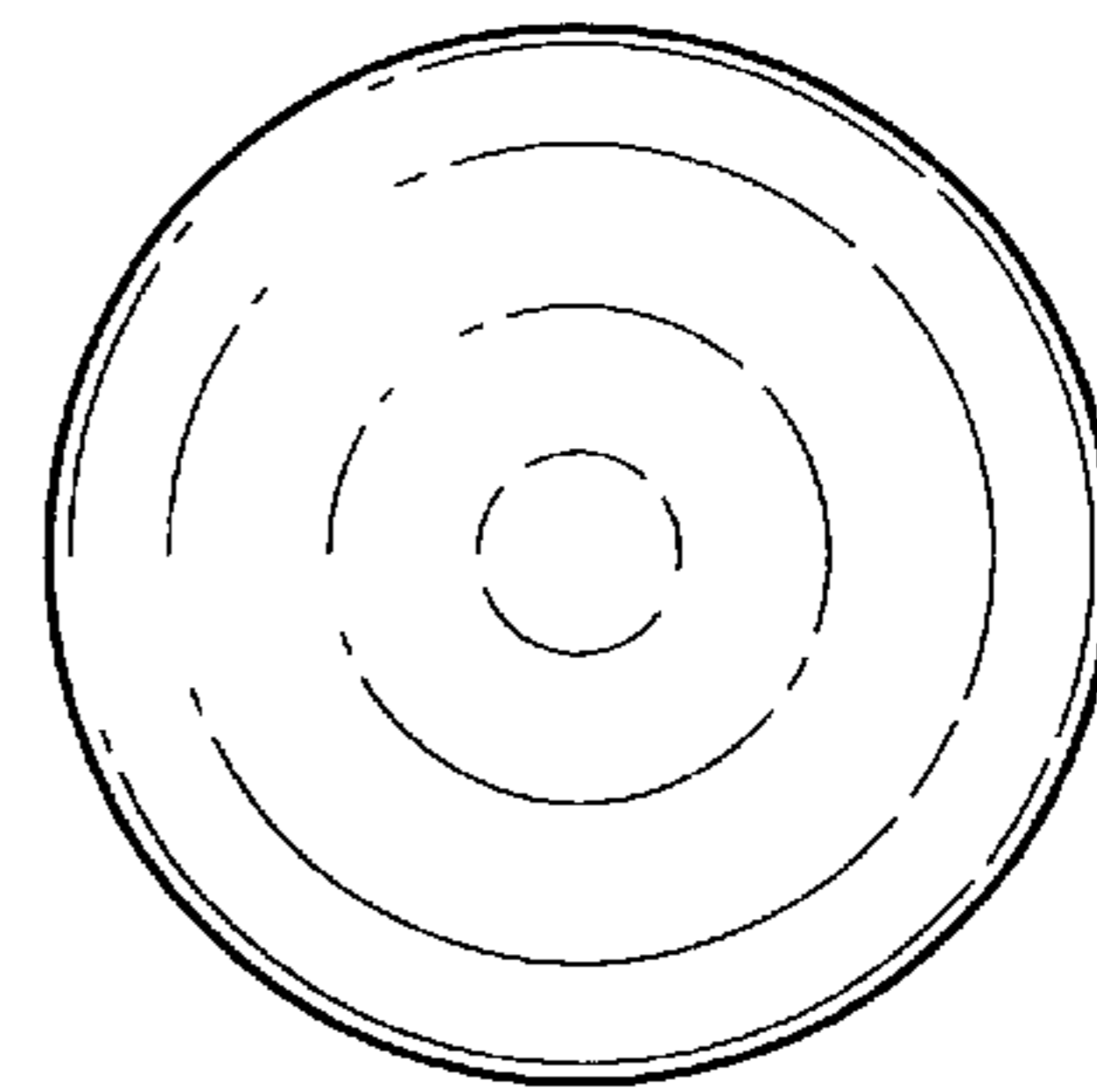


FIG. 6

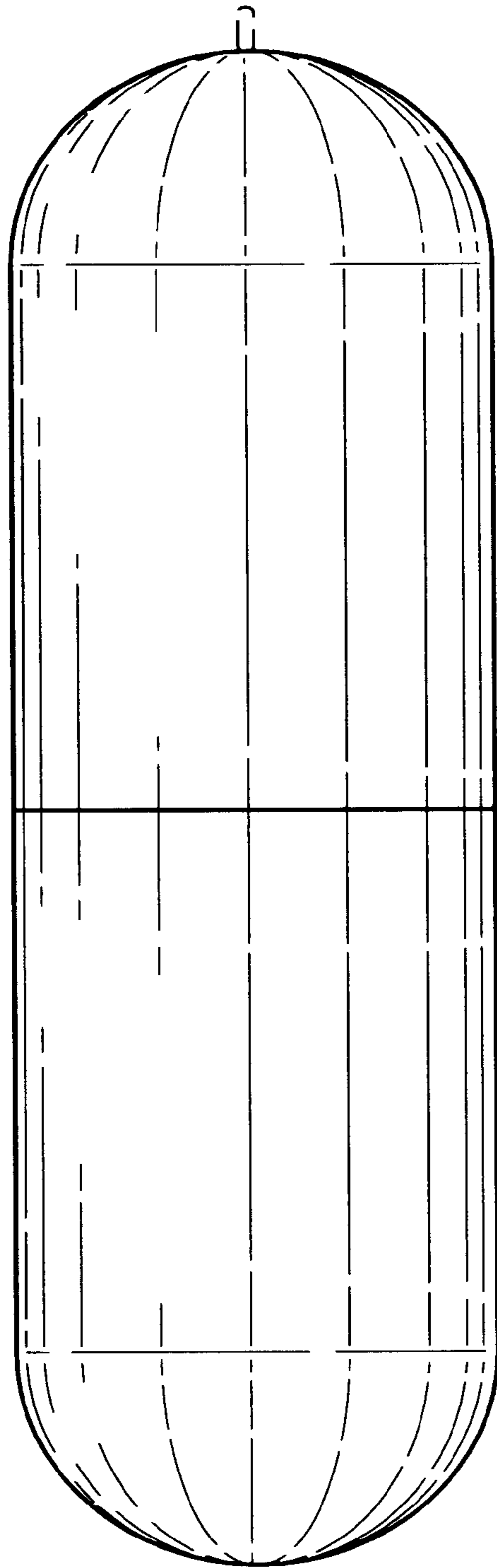


FIG. 7

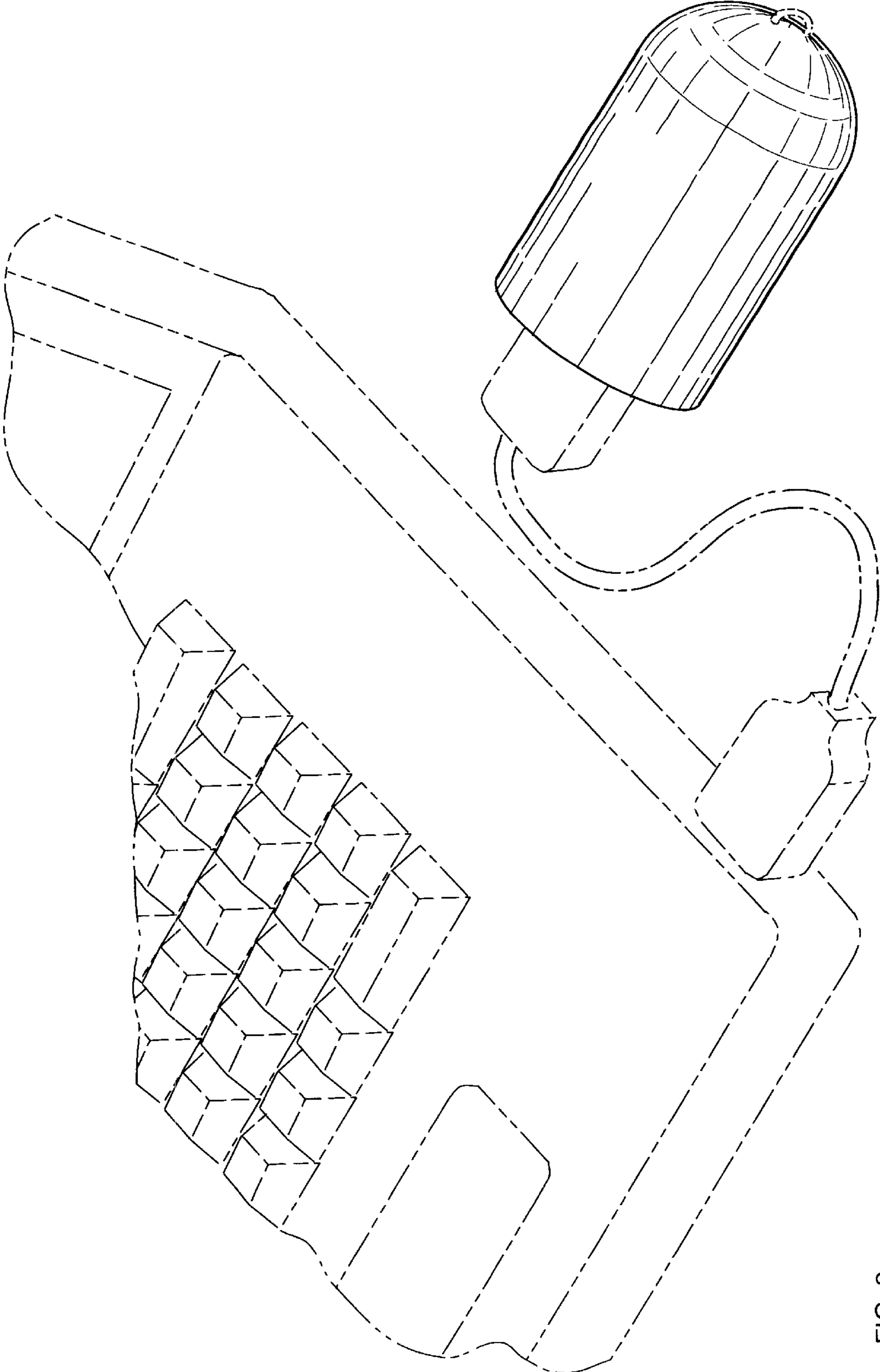


FIG. 8