



US00D536699S

(12) **United States Design Patent**
Silva et al.

(10) **Patent No.:** **US D536,699 S**

(45) **Date of Patent:** **** Feb. 13, 2007**

(54) **AUDIO COMPONENT FRONT FACE**

D512,995 S * 12/2005 Storti et al. D14/257

(75) Inventors: **Jose Jorge Silva**, Mishawaka, IN (US);
John D. Wolf, II, Edwardsburg, MI (US)

* cited by examiner

Primary Examiner—Cathron C. Brooks

Assistant Examiner—Kelley A. Donnelly

(74) *Attorney, Agent, or Firm*—Plumsea Law Group, LLC

(73) Assignee: **Harman International Industries, Incorporated**, Northridge, CA (US)

(57) **CLAIM**

(**) Term: **14 Years**

The ornamental design for an audio component front face, as shown and described.

(21) Appl. No.: **29/222,998**

DESCRIPTION

(22) Filed: **Feb. 8, 2005**

(51) **LOC (8) Cl.** **14-03**

(52) **U.S. Cl.** **D14/257**

(58) **Field of Classification Search** D14/136–137,
D14/188, 240, 253–257, 441–444, 126, 192–198,
D14/156, 160–165; D13/184; D10/125, 113;
455/350, 347; 396/434, 93

See application file for complete search history.

FIG. 1 is a perspective view of an audio component front face showing a first embodiment of our new design;

FIG. 2 is a front elevational view thereof;

FIG. 3 is a top plan view thereof;

FIG. 4 is a bottom plan view thereof;

FIG. 5 is a side elevational view of one side thereof;

FIG. 6 is a side elevational view of the other side thereof;

FIG. 7 is a cross-sectional view taken along line 7–7 of FIG. 2;

FIG. 8 is a perspective view thereof showing environmental elements in broken lines;

FIG. 9 is a perspective view of an audio component front face showing a second embodiment of our new design;

FIG. 10 is a front elevational view thereof;

FIG. 11 is a top plan view thereof;

FIG. 12 is a bottom plan view thereof;

FIG. 13 is a side elevational view of one side thereof;

FIG. 14 is a side elevational view of the other side thereof;

FIG. 15 is a cross-sectional view taken along line 15–15 of FIG. 10; and,

FIG. 16 is a perspective view thereof showing environmental elements in broken lines.

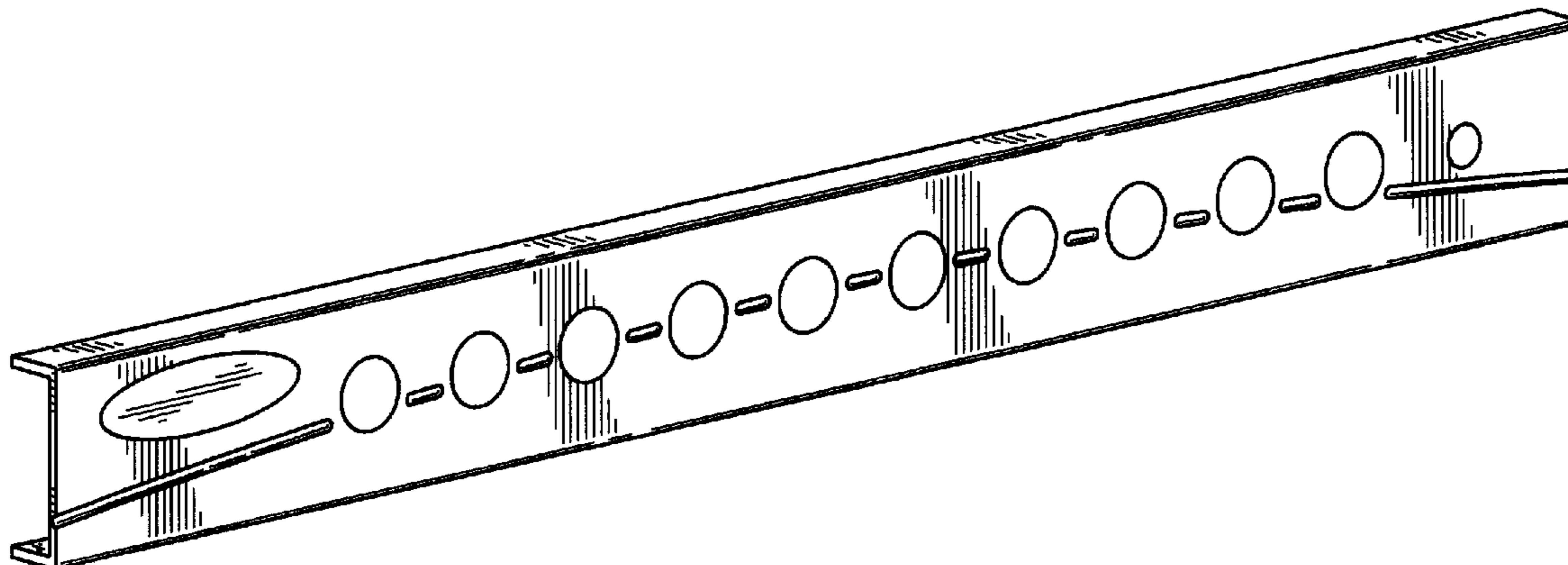
The broken line showings of the circles in FIGS. 9 and 16 are for illustrative purposes only and form no part of the claimed invention.

(56) **References Cited**

U.S. PATENT DOCUMENTS

D250,264 S	*	11/1978	Thompson	D14/197
D356,311 S	*	3/1995	Ito et al.	D14/162
D375,096 S	*	10/1996	Michael	D14/156
D407,082 S	*	3/1999	Waalder	D14/442
D415,486 S	*	10/1999	Lee et al.	D14/126
D418,518 S	*	1/2000	Storti et al.	D14/257
D431,542 S	*	10/2000	Takahashi	D14/156
D431,546 S	*	10/2000	Ito et al.	D14/167
D436,965 S	*	1/2001	Lin	D14/441
D459,334 S	*	6/2002	Tsuge	D14/156
D469,428 S	*	1/2003	Senda et al.	D14/257
D473,854 S	*	4/2003	Powell et al.	D14/188
D475,036 S	*	5/2003	Tejima	D14/168
D511,333 S	*	11/2005	Lai et al.	D14/136

1 Claim, 6 Drawing Sheets



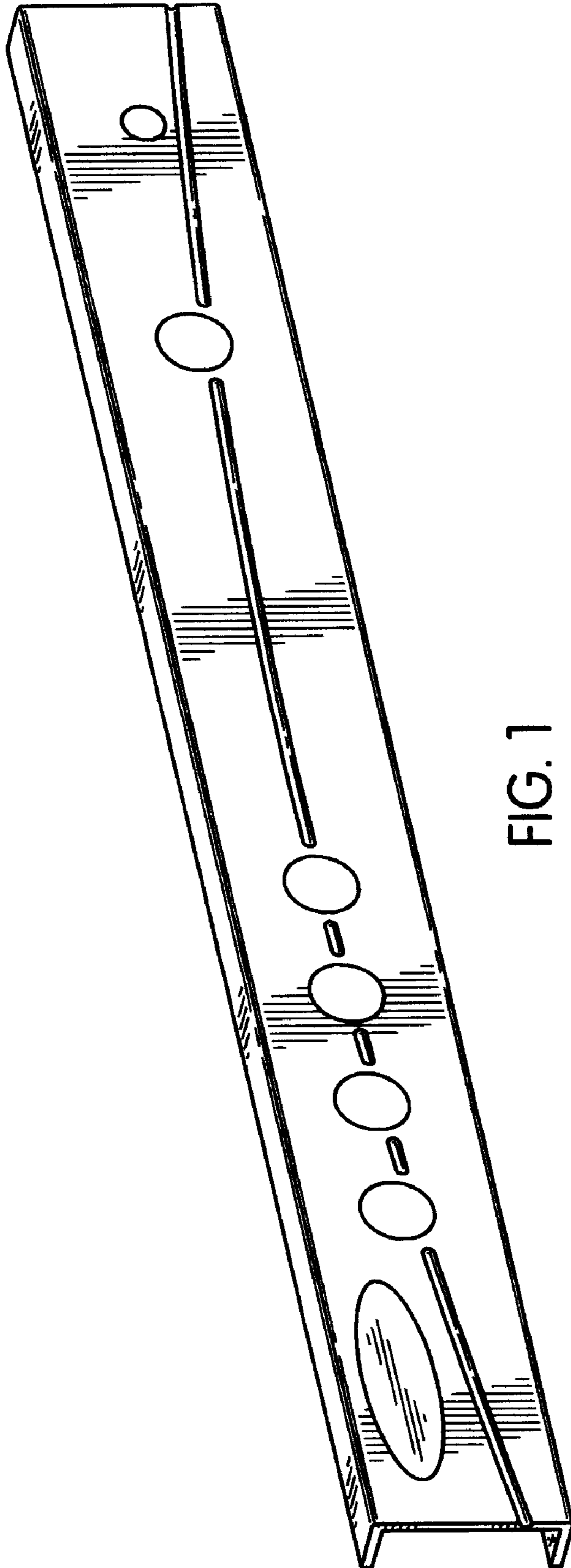


FIG. 1

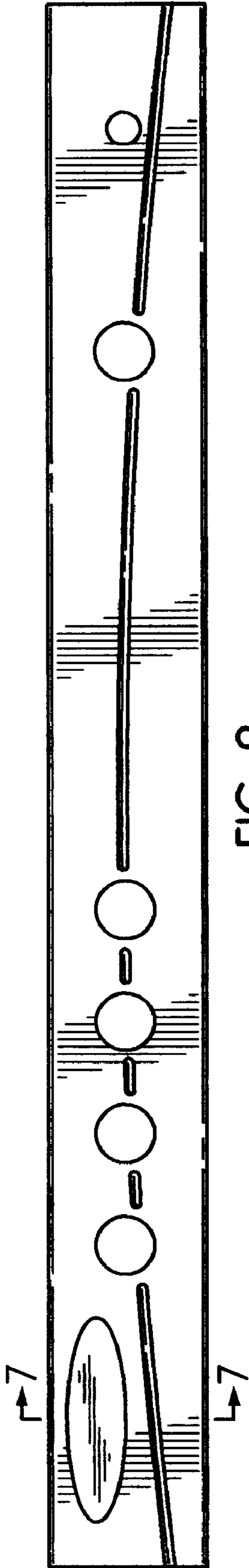


FIG. 2

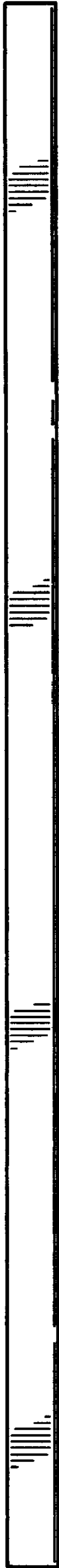


FIG. 3



FIG. 4

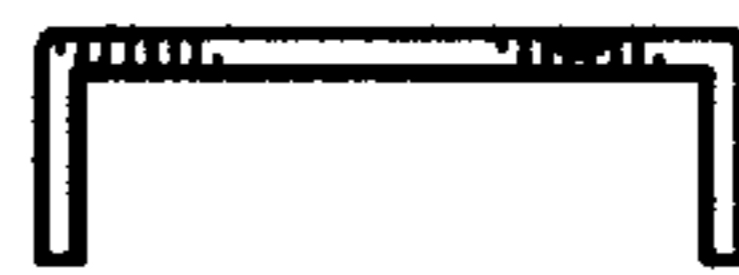


FIG. 5



FIG. 6



FIG. 7

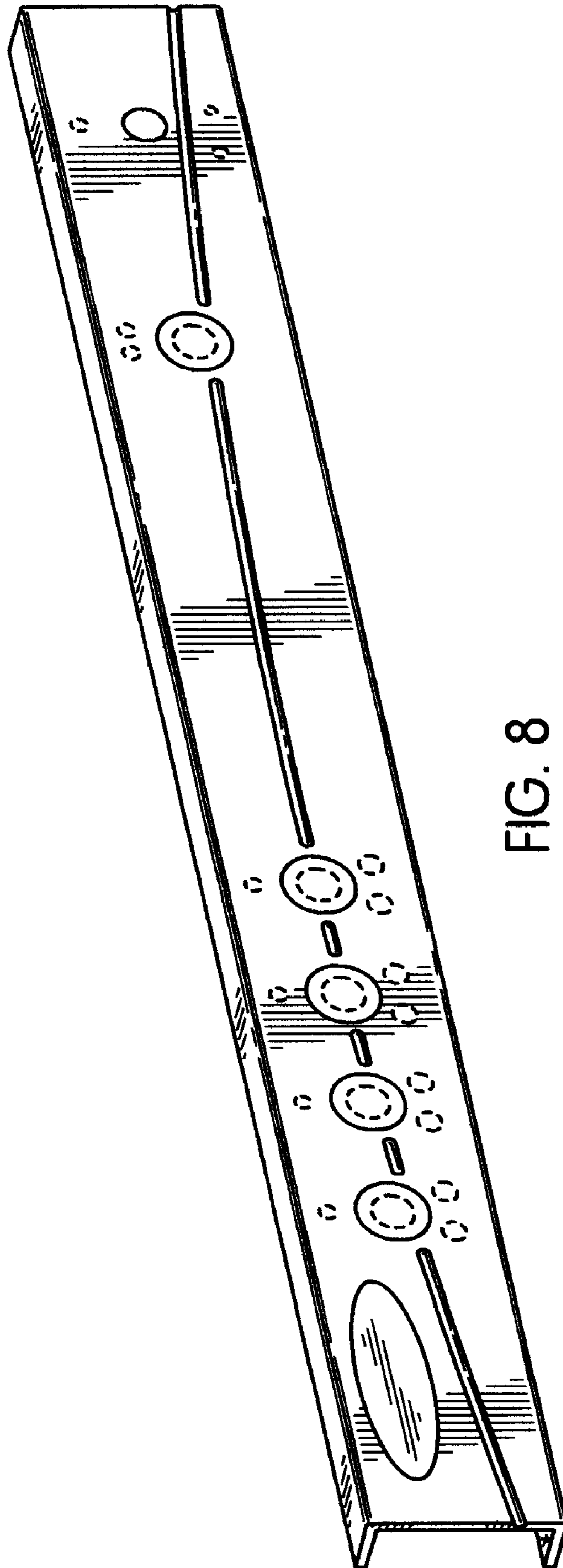


FIG. 8

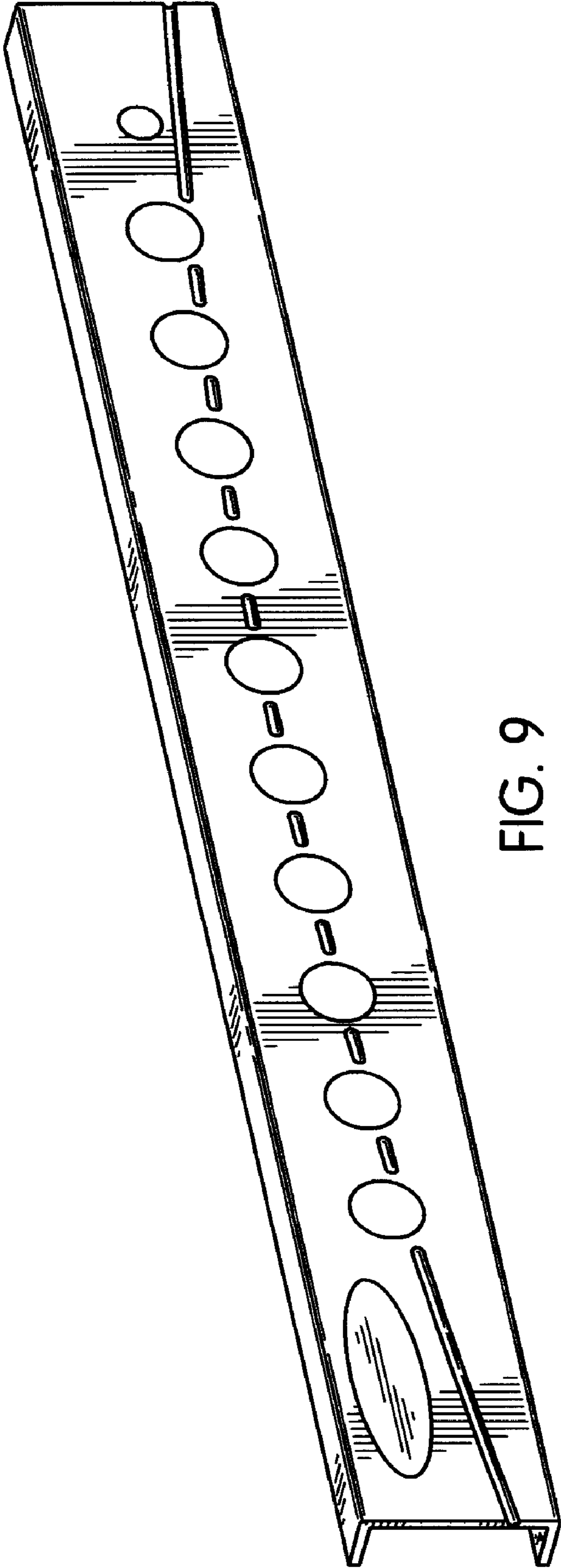


FIG. 9

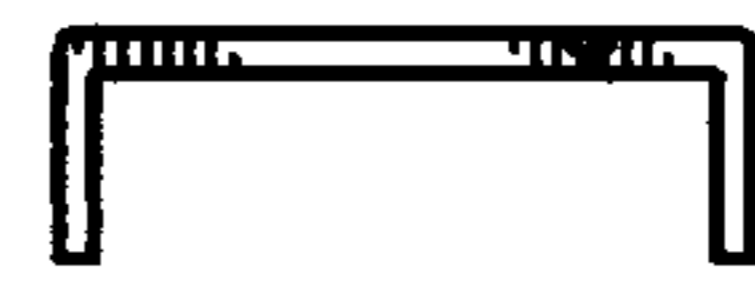
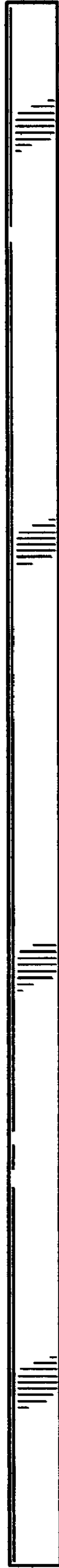
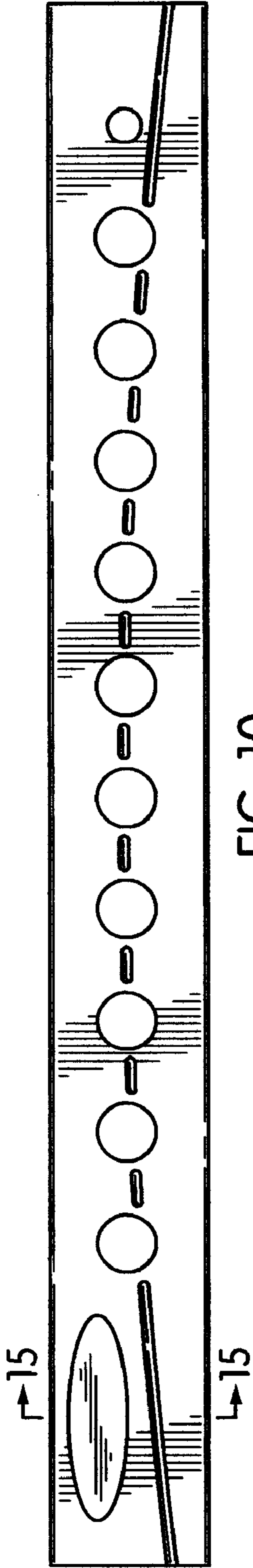


FIG. 13



FIG. 14



FIG. 15

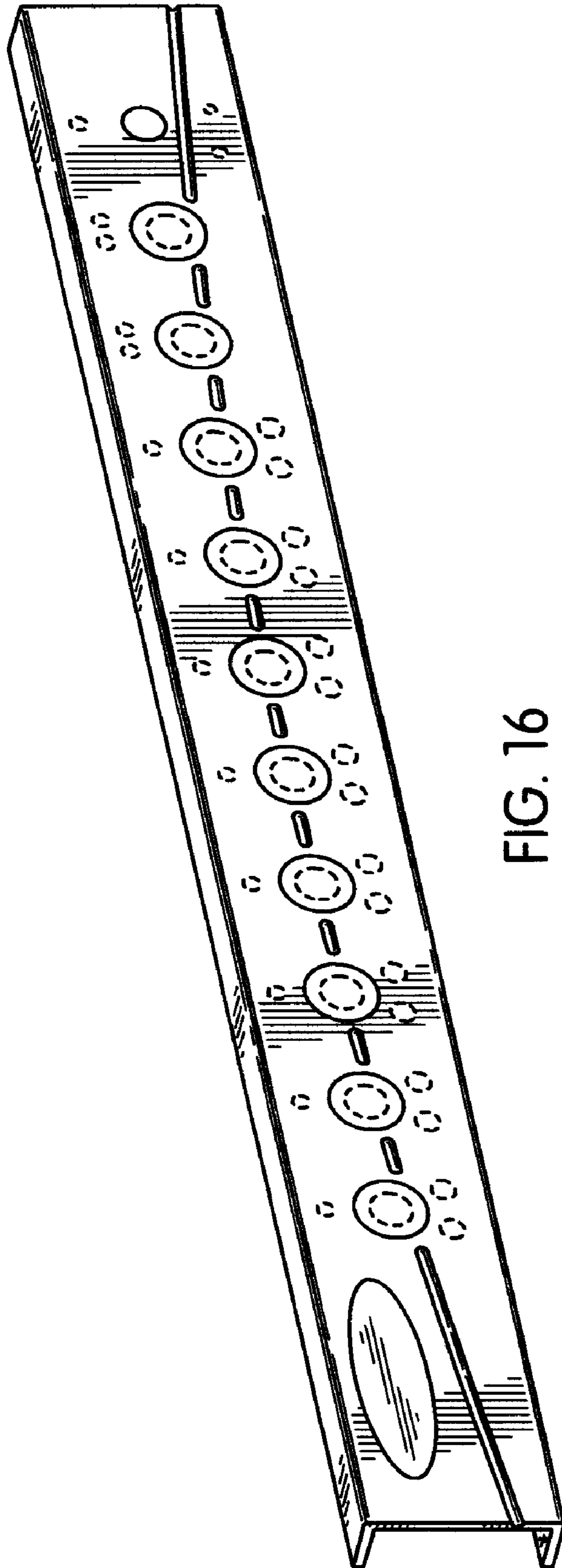


FIG. 16