



US00D536696S

(12) **United States Design Patent** (10) **Patent No.:** **US D536,696 S**
McRae et al. (45) **Date of Patent:** **** *Feb. 13, 2007**

(54) **DOUBLE HEIGHT GATEWAY HOUSING**

(75) Inventors: **Matthew B. McRae**, Laguna Beach, CA (US); **Calvin Y. Liu**, Irvine, CA (US); **Donald T. Mah**, Trabuco Canyon, CA (US)

(73) Assignee: **Cisco Technology, Inc.**, San Jose, CA (US)

(*) Notice: This patent is subject to a terminal disclaimer.

(**) Term: **14 Years**

(21) Appl. No.: **29/224,545**

(22) Filed: **Mar. 3, 2005**

(51) **LOC (8) Cl.** **14-03**

(52) **U.S. Cl.** **D14/240**

(58) **Field of Classification Search** D14/240, D14/242, 246, 192, 223, 140.1, 140.4, 356, D14/358; D13/184, 123; 181/129-130; 379/430, 379/431, 433.01, 420.03, 957, 52, 106.1, 379/333-337, 387.01, 399.01, 413.02, 413.04; 455/569.1, 510, 524; 439/717
See application file for complete search history.

(56) **References Cited**

U.S. PATENT DOCUMENTS

D289,648 S	*	5/1987	Felix et al.	D14/242
D311,740 S		10/1990	Wagner		
D322,963 S		1/1992	Kittirtsunetorn		
5,227,957 A		7/1993	Deters		
D362,003 S		9/1995	Claudio		
D363,064 S		10/1995	Rogov		
D363,722 S		10/1995	Aldridge et al.		
D369,149 S		4/1996	Chang et al.		
D375,937 S	*	11/1996	Mergenthaler et al.	D13/110
5,676,553 A		10/1997	Leung		
D393,463 S		4/1998	Beaumont et al.		
5,737,189 A		4/1998	Kammersgard et al.		
5,739,665 A		4/1998	Barnes		
5,838,548 A		11/1998	Matz et al.		
D402,641 S	*	12/1998	Heijnen	D13/184

5,864,467 A		1/1999	Recchia et al.		
D409,199 S		5/1999	Taguchi et al.		
D412,322 S		7/1999	Wu		
D413,331 S	*	8/1999	Martinson	D14/240
6,059,614 A		5/2000	Shelby et al.		
6,085,925 A		7/2000	Chung		
D430,147 S		8/2000	Willkens et al.		
D435,044 S		12/2000	Oviatt et al.		
D445,705 S		7/2001	Kliegman et al.		
D446,143 S		8/2001	Kliegman et al.		
D446,499 S		8/2001	Andre et al.		
D448,353 S		9/2001	Chang		
D449,160 S	*	10/2001	Murphy	D14/240
D452,233 S		12/2001	Kubik et al.		
6,327,152 B1		12/2001	Saye		
6,328,612 B1		12/2001	Chung		
D454,110 S		3/2002	Andre et al.		
D455,723 S		4/2002	Vackar		
D458,608 S		6/2002	Tong et al.		

(Continued)

Primary Examiner—Charles A. Rademaker
(74) *Attorney, Agent, or Firm*—MacPherson Kwok Chen & Heid LLP; Clifford G. Cousins

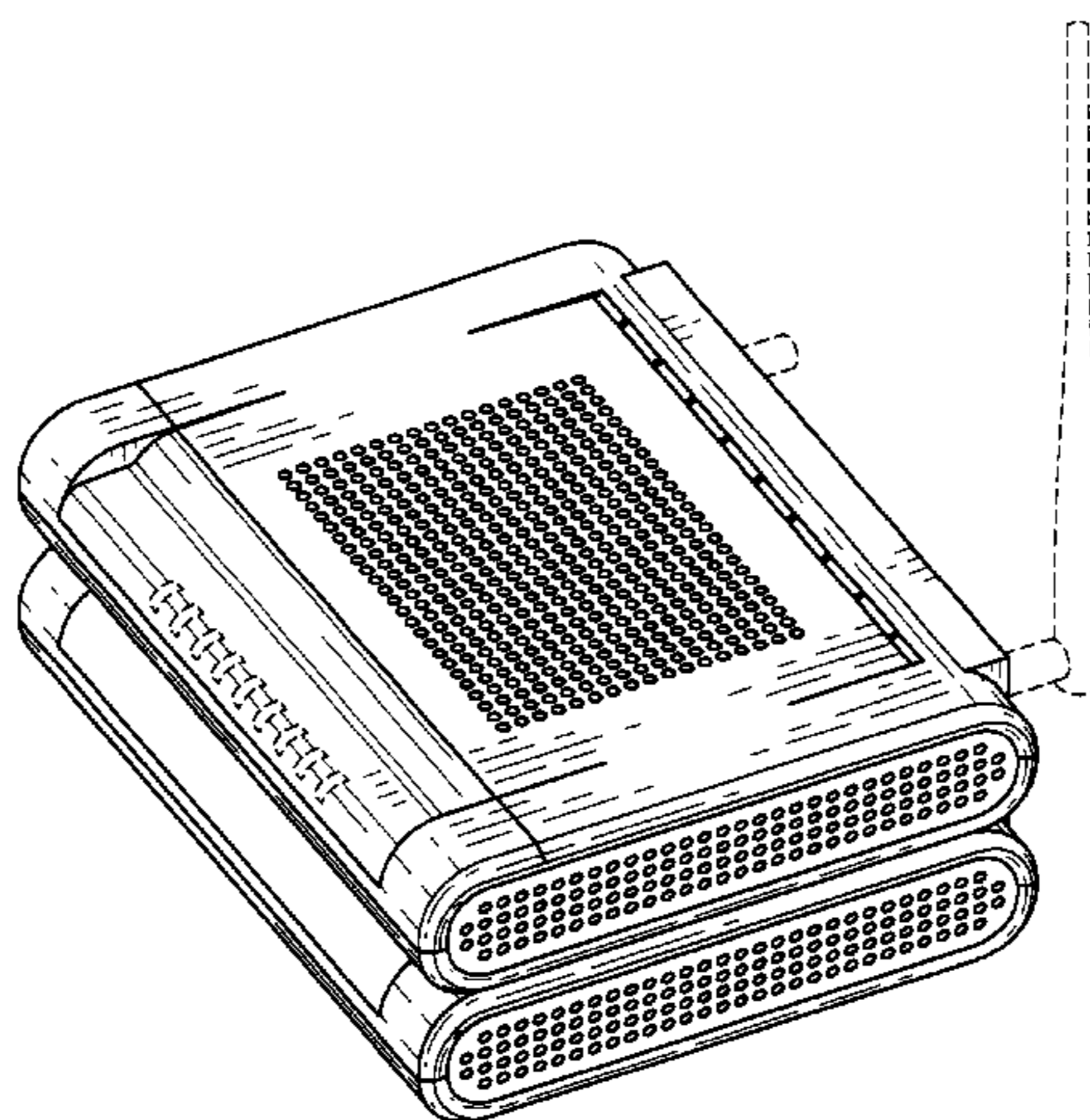
(57) **CLAIM**

The ornamental design for a double height gateway housing, as shown and described.

DESCRIPTION

FIG. 1 is a top and front perspective view of a double height gateway housing showing our new design;
FIG. 2 is a top and rear perspective view thereof;
FIG. 3 is a top plan view thereof;
FIG. 4 is a bottom plan view thereof;
FIG. 5 is a front elevation thereof;
FIG. 6 is a rear elevation thereof;
FIG. 7 is a right side elevation thereof; and,
FIG. 8 is a left side elevation thereof.
The broken line showing of environment in the figure drawings is for illustrative purposes only and forms no part of the claimed design.

1 Claim, 3 Drawing Sheets



US D536,696 S

Page 2

U.S. PATENT DOCUMENTS					
D460,452 S	7/2002	Yoshie	D473,222 S	4/2003	Chiou
D461,797 S	8/2002	Sumer et al.	6,597,567 B2	7/2003	Stone et al.
D462,063 S	8/2002	Bohne	D478,580 S	8/2003	Schmidt et al.
D462,954 S	9/2002	Chen	D480,075 S	9/2003	Tanaka
D463,411 S	9/2002	Stokes et al.	D484,496 S	* 12/2003	Watanabe D14/240
D464,623 S	10/2002	Pogagtetz et al.	D484,497 S	12/2003	Alviar et al.
D464,959 S	10/2002	Do et al.	D486,480 S	2/2004	Tanaka
D471,543 S	3/2003	Yang et al.	D489,059 S	* 4/2004	Dendou et al. D14/242
D472,555 S	* 4/2003	Tomino D14/240	D490,403 S	* 5/2004	Wu et al. D14/240
D473,220 S	4/2003	Smith et al.	6,905,374 B2	6/2005	Milan
D473,221 S	4/2003	Gargani et al.	2002/0021558 A1	2/2002	Schwartz et al.

* cited by examiner

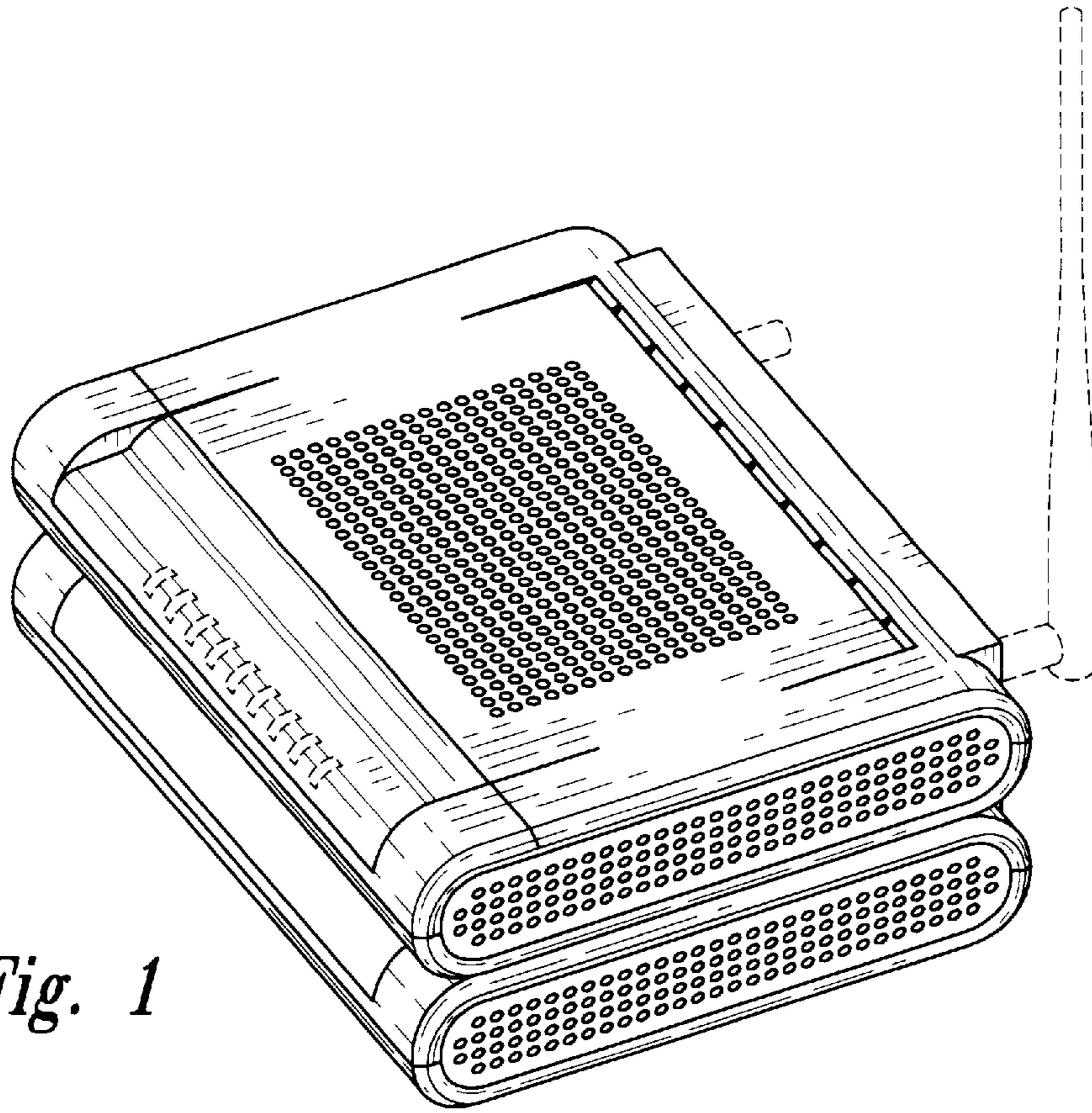


Fig. 1

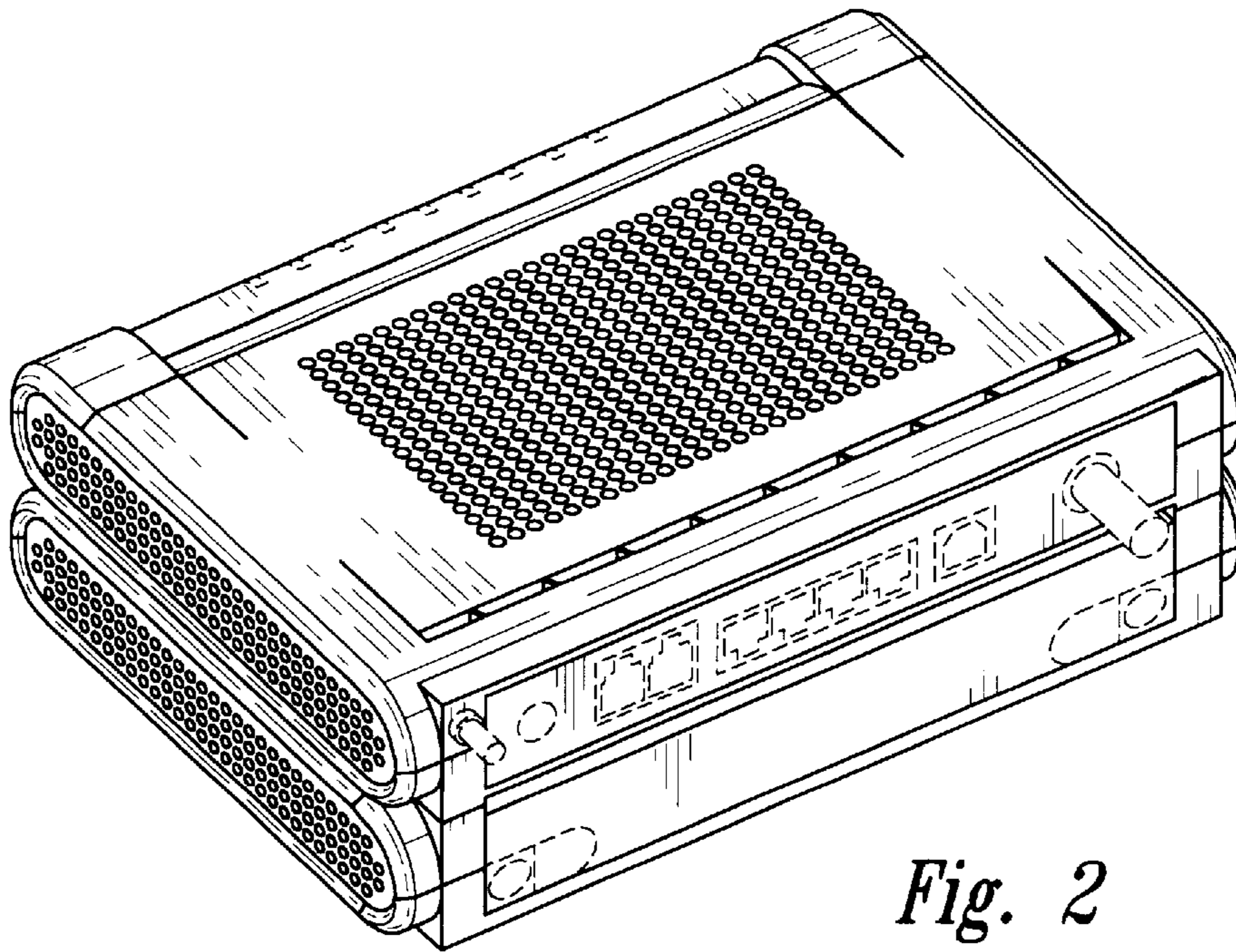


Fig. 2

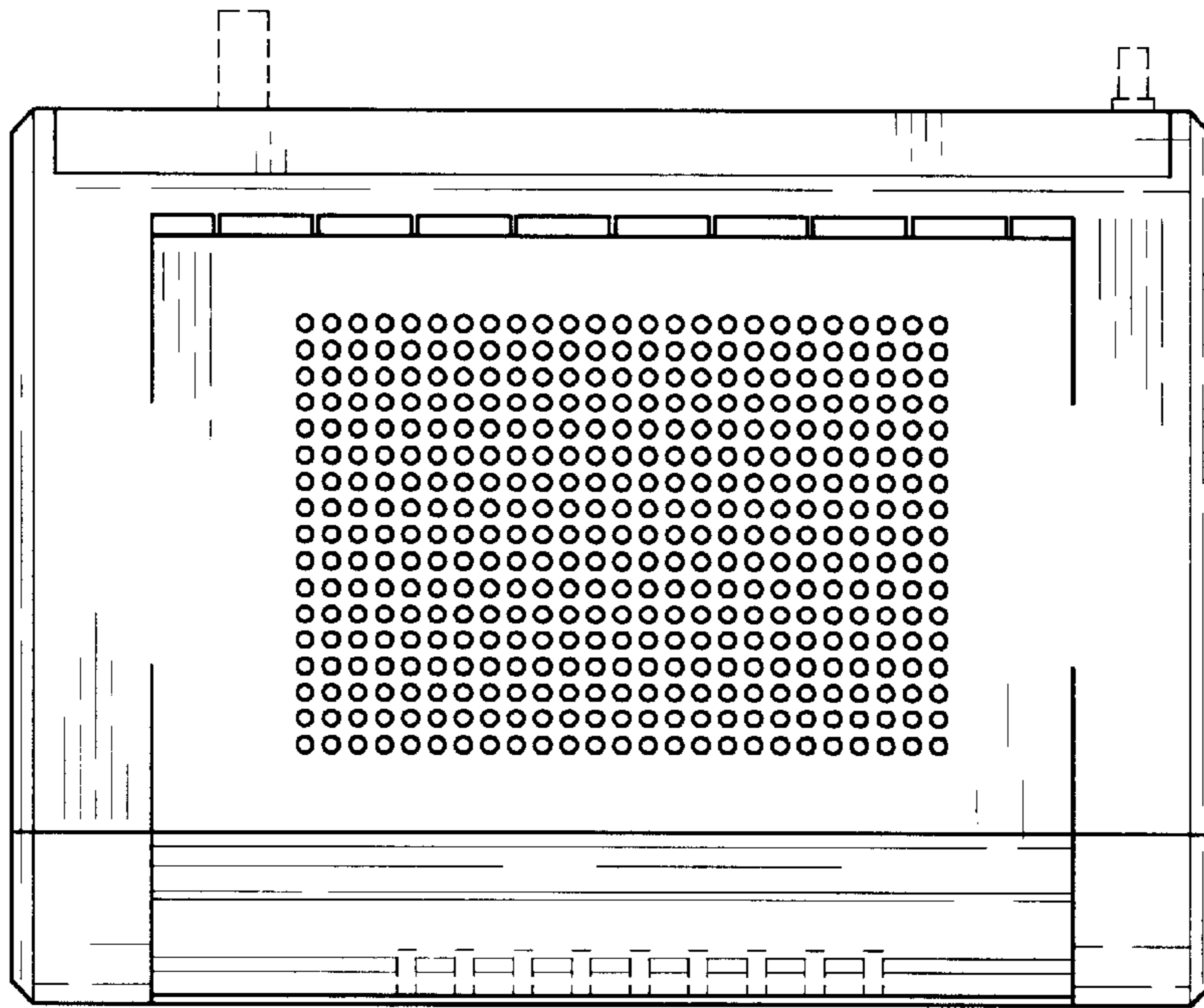


Fig. 3

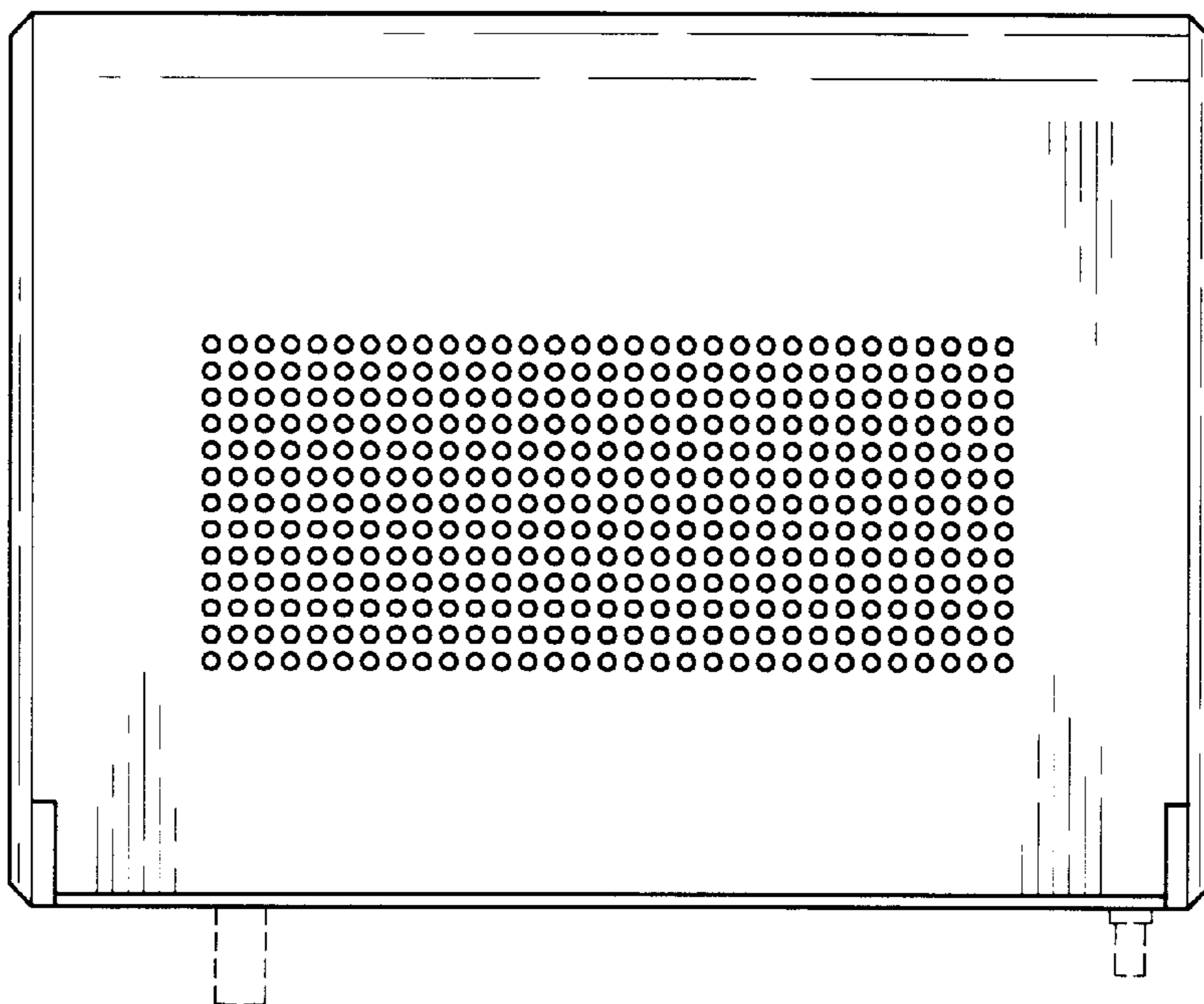


Fig. 4

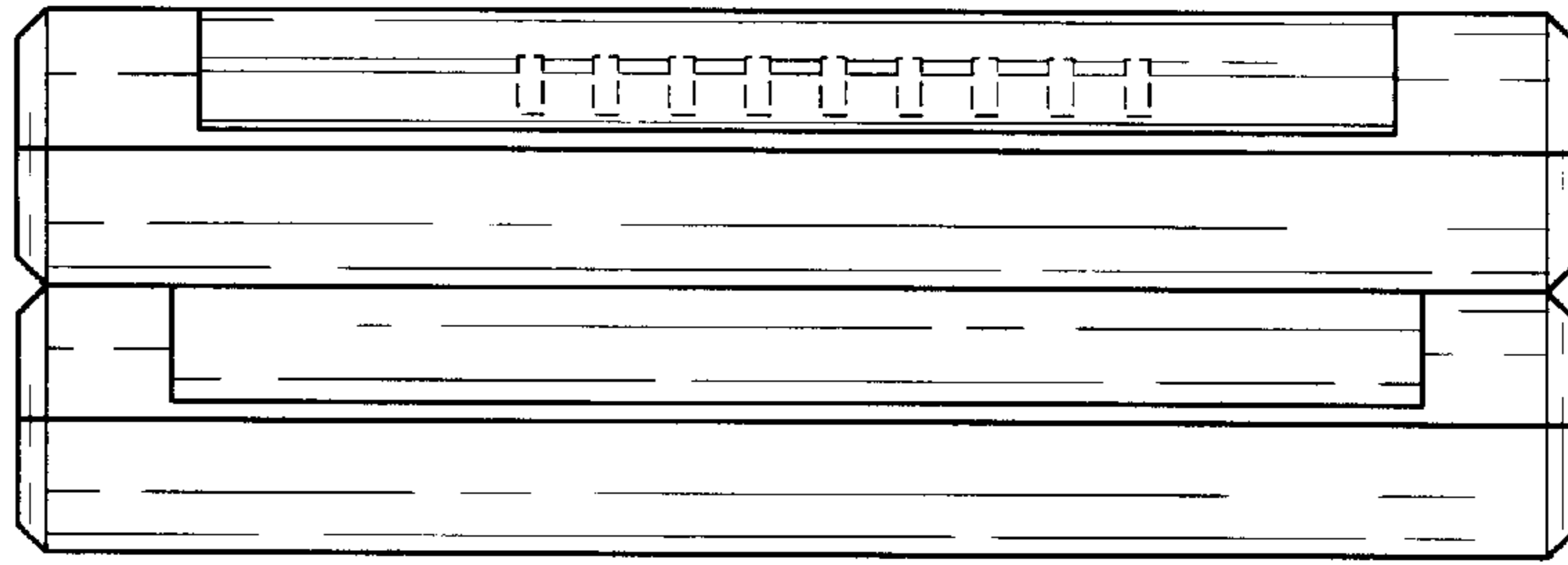


Fig. 5

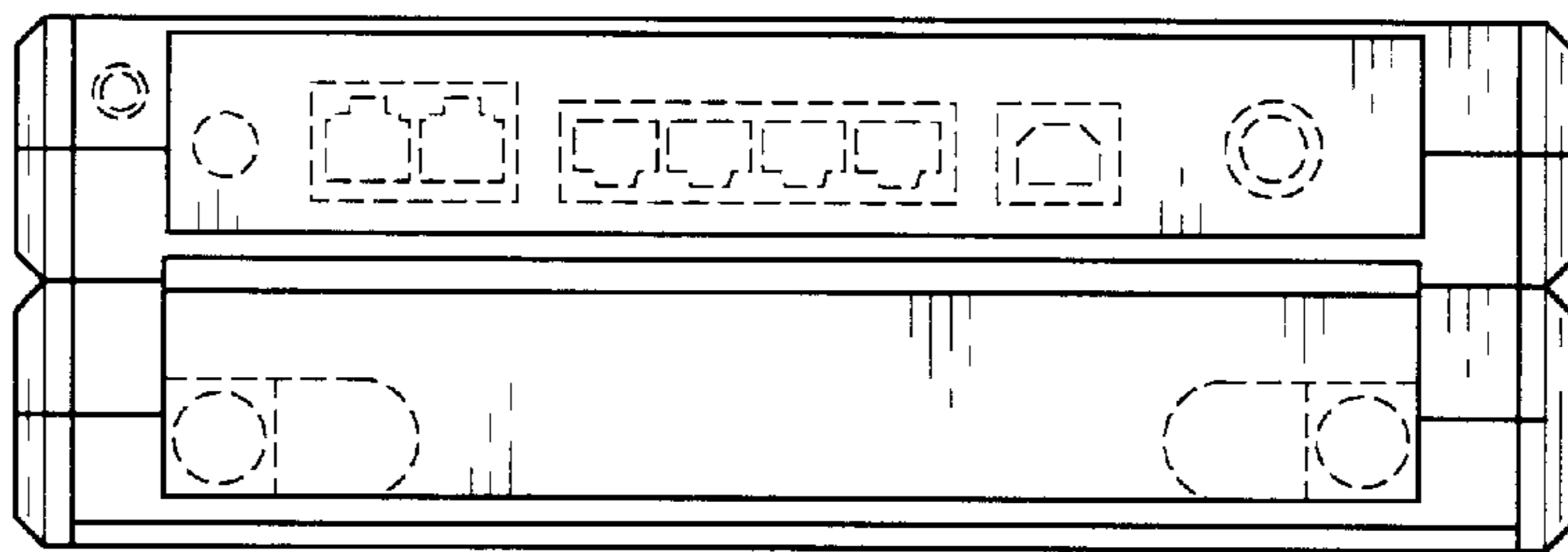


Fig. 6

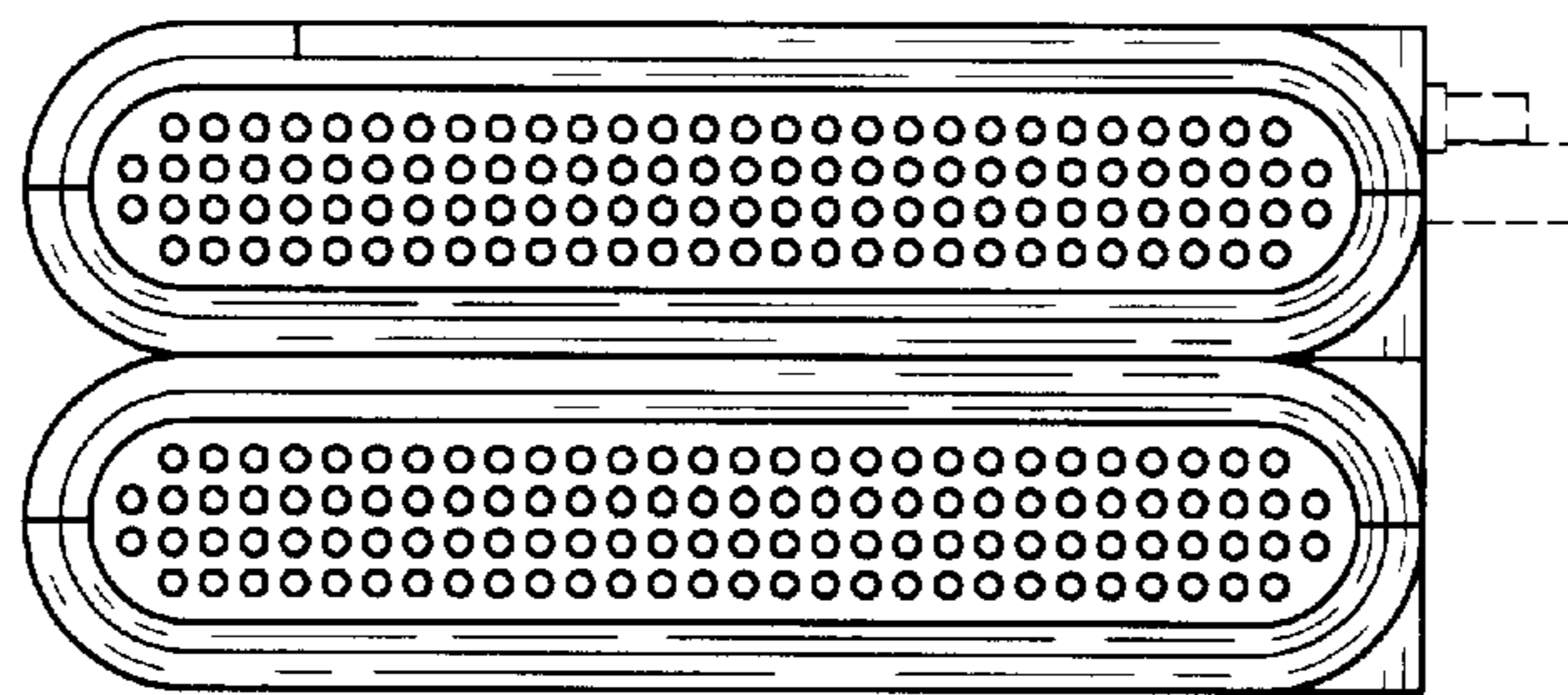


Fig. 7

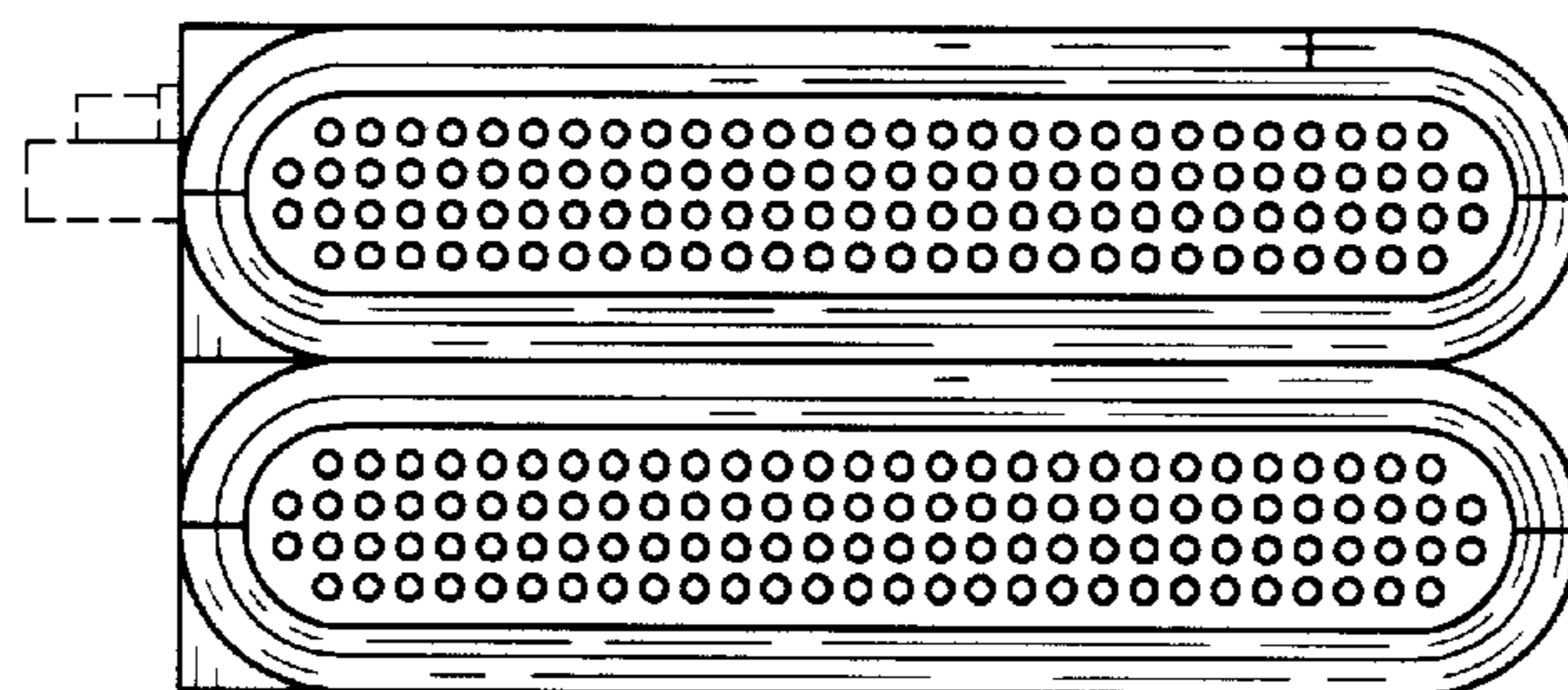


Fig. 8