



US00D536693S

(12) **United States Design Patent**
Komiyama

(10) **Patent No.:** **US D536,693 S**

(45) **Date of Patent:** **** Feb. 13, 2007**

(54) **SPEAKER BOX**

FOREIGN PATENT DOCUMENTS

(75) Inventor: **Jun Komiyama**, Tokyo (JP)

JP D1112074 S 6/2001

* cited by examiner

(73) Assignee: **Sony Corporation**, Tokyo (JP)

Primary Examiner—Nanda Bondade

(**) Term: **14 Years**

(74) *Attorney, Agent, or Firm*—Rader, Fishman & Grauer PLLC

(21) Appl. No.: **29/244,822**

(57) **CLAIM**

(22) Filed: **Dec. 15, 2005**

The ornamental design for a speaker box, as shown.

(51) **LOC (8) Cl.** **14-01**

DESCRIPTION

(52) **U.S. Cl.** **D14/211**

(58) **Field of Classification Search** D14/204,
D14/207, 209–216, 172; 181/143–144, 147–148,
181/150, 157, 198–199, 151, 153; 381/300–302,
381/306, 333, 345, 361–364, 386–388, 332,
381/336

FIG. 1 is a perspective view of a speaker box showing my new design;

FIG. 2 is a front elevational view thereof;

FIG. 3 is a rear elevational view thereof;

FIG. 4 is a left side elevational view thereof;

FIG. 5 is a right side elevational view thereof;

FIG. 6 is a top plan view thereof;

FIG. 7 is a bottom plan view thereof;

FIG. 8 is a perspective view of another embodiment of a speaker box showing my new design;

FIG. 9 is a front elevational view thereof;

FIG. 10 is a rear elevational view thereof;

FIG. 11 is a left side elevational view thereof;

FIG. 12 is a right side elevational view thereof;

FIG. 13 is a top plan view thereof; and,

FIG. 14 is a bottom plan view thereof.

See application file for complete search history.

(56) **References Cited**

U.S. PATENT DOCUMENTS

3,638,753	A	*	2/1972	Cunningham	181/153
D412,331	S		7/1999	Nakamura		
D417,872	S	*	12/1999	Monson	D14/211
D426,540	S		6/2000	Tejima		
D432,116	S	*	10/2000	Ichikawa et al.	D14/211
D465,212	S	*	11/2002	Lytel	D14/215
D483,026	S	*	12/2003	Koskinen	D14/211

1 Claim, 14 Drawing Sheets

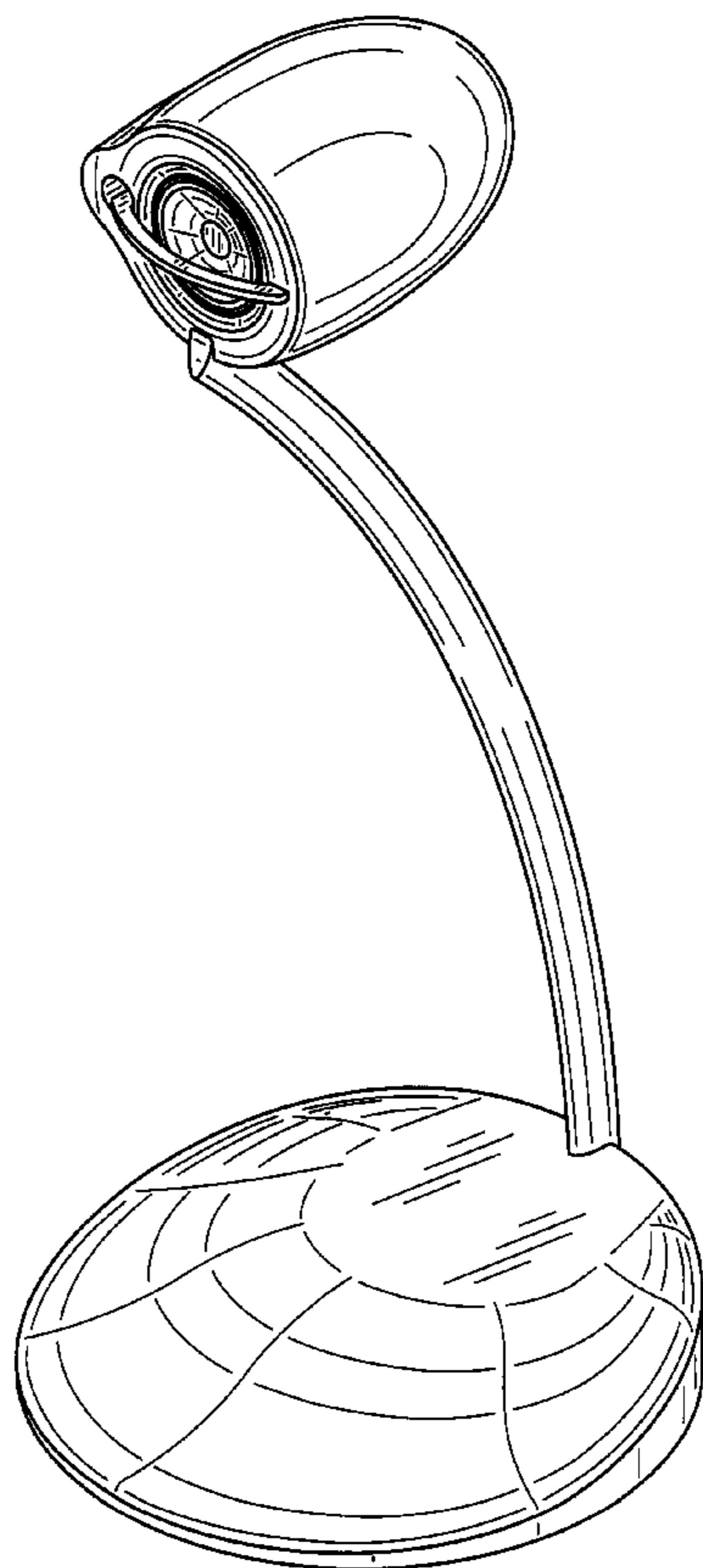


Fig. 1



Fig.2

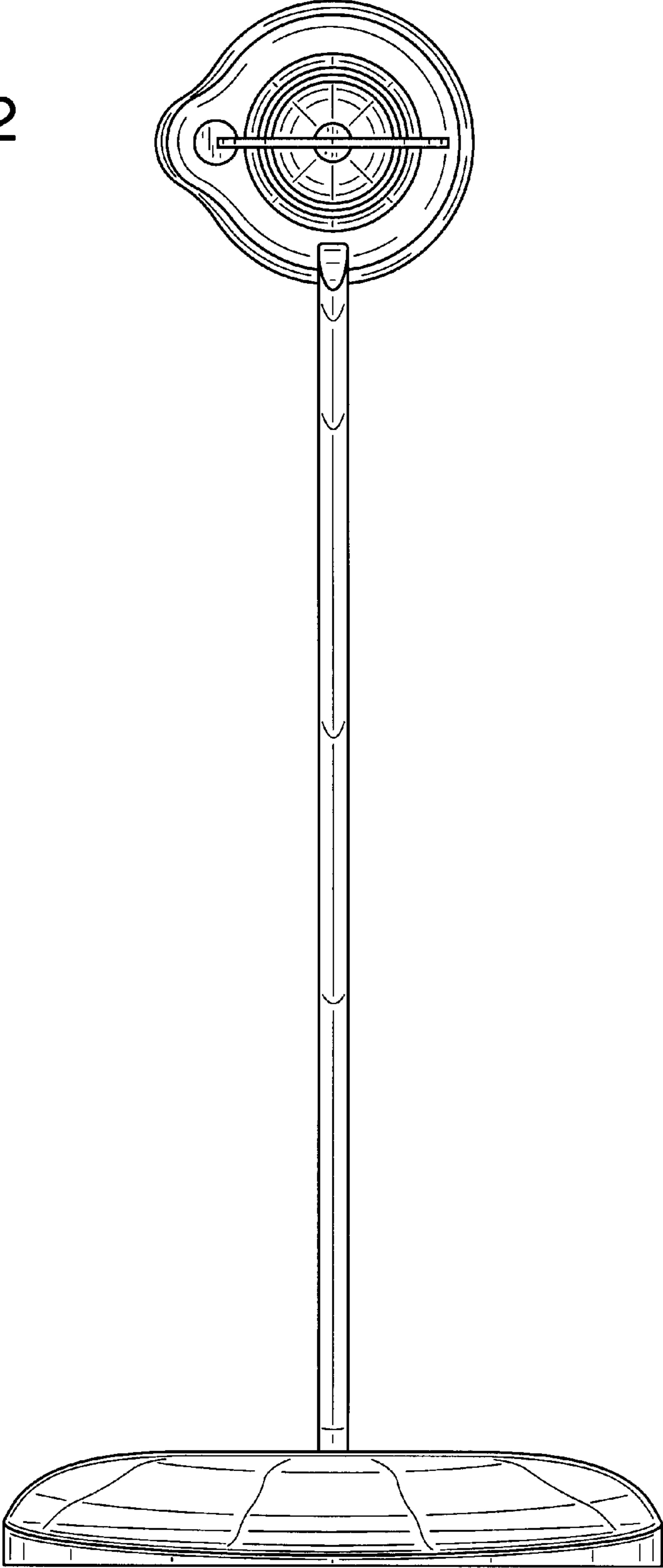


Fig.3

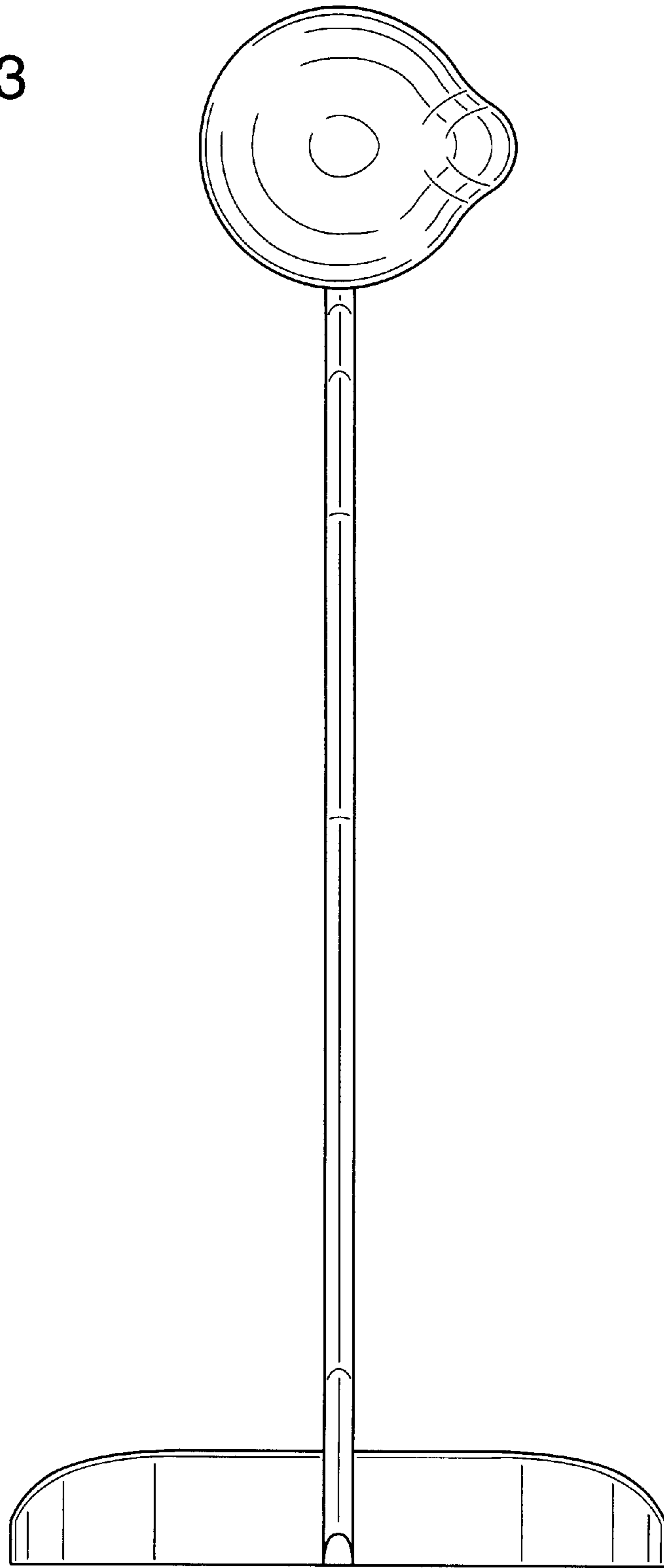


Fig.4

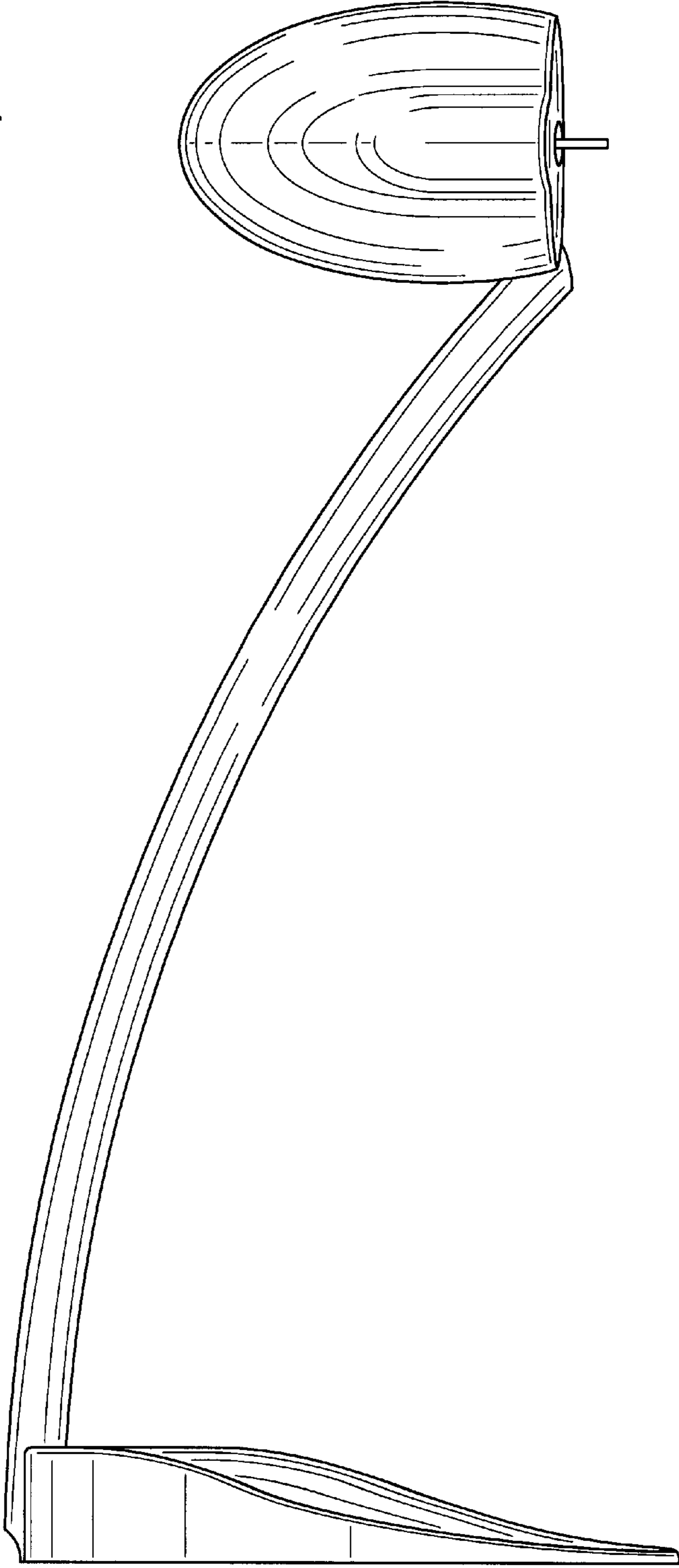


Fig.5

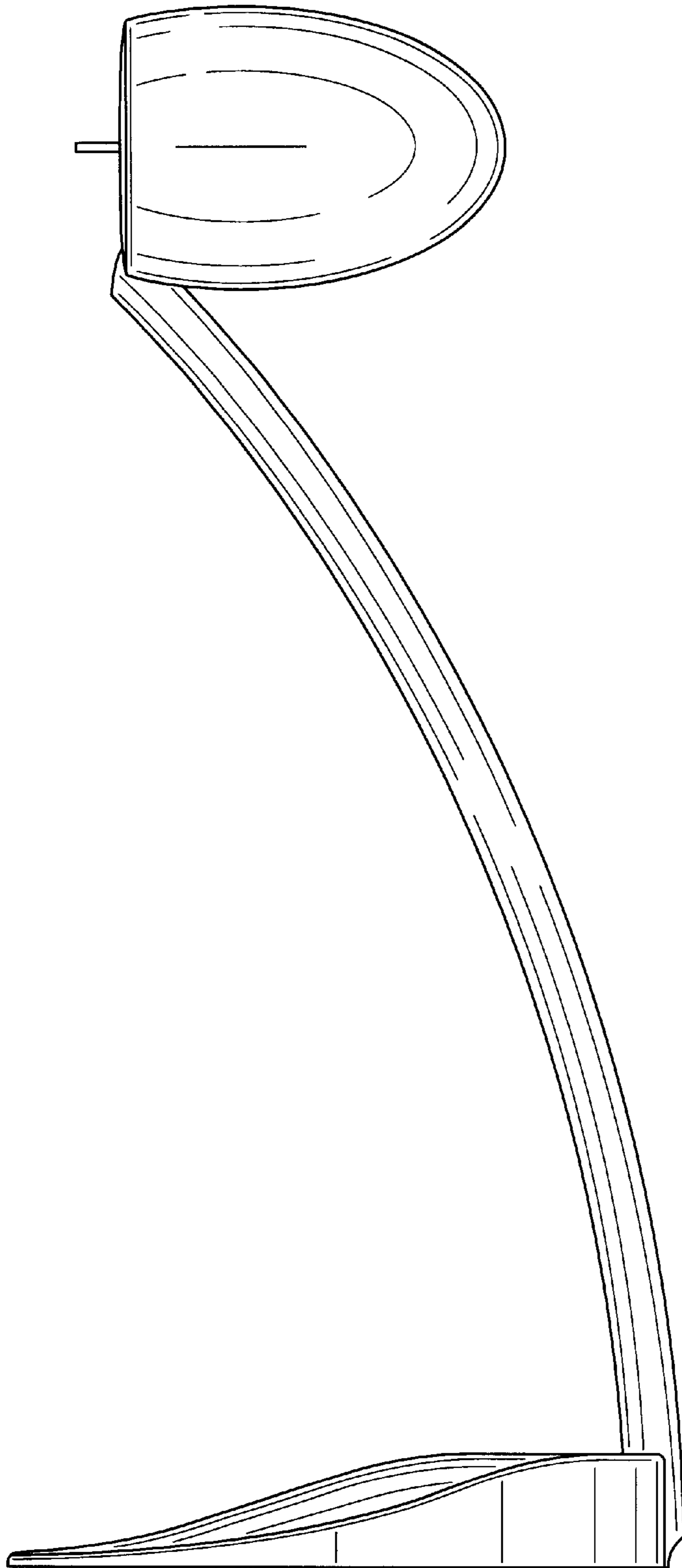


Fig.6

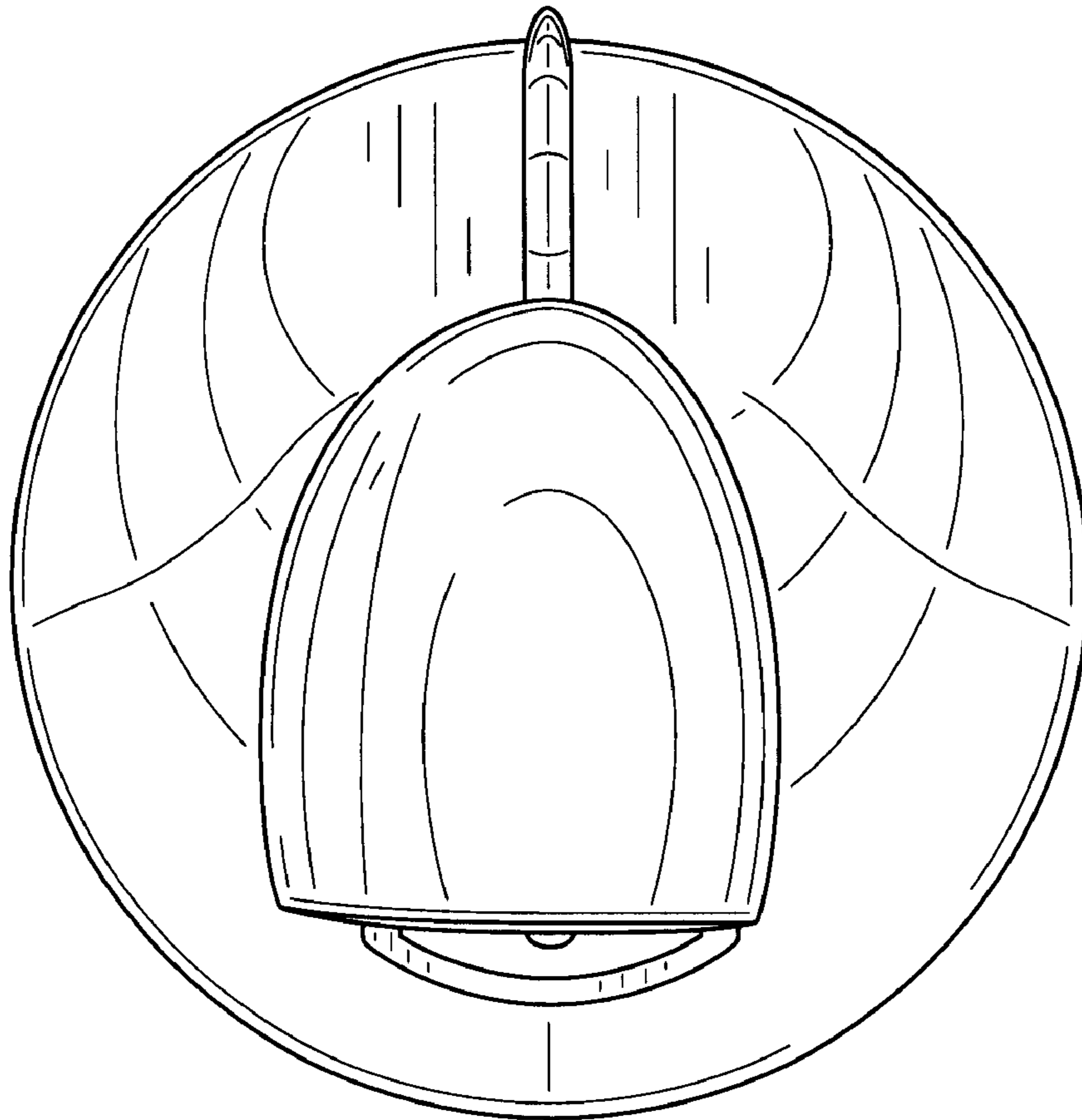


Fig.7

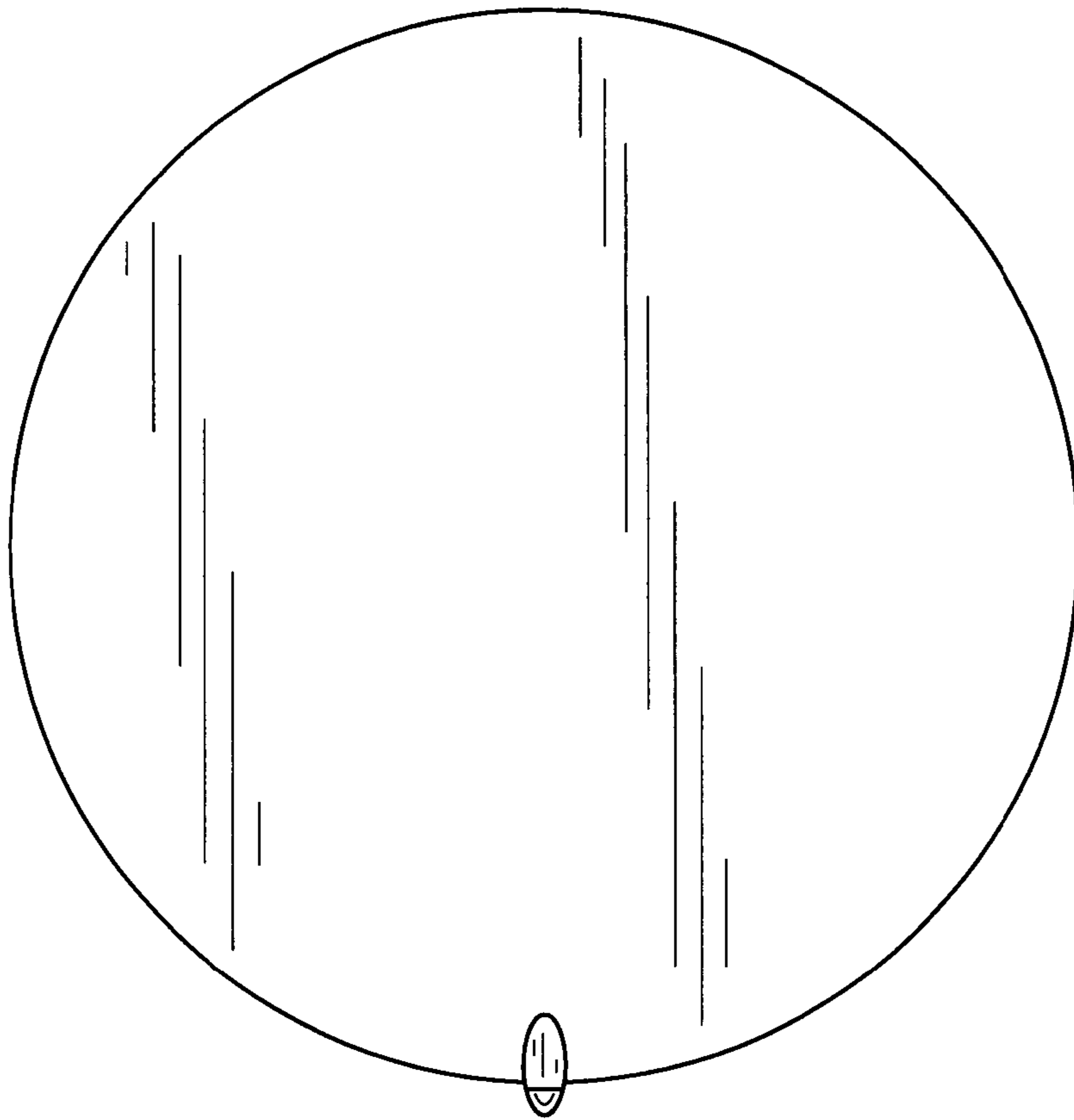


Fig.8

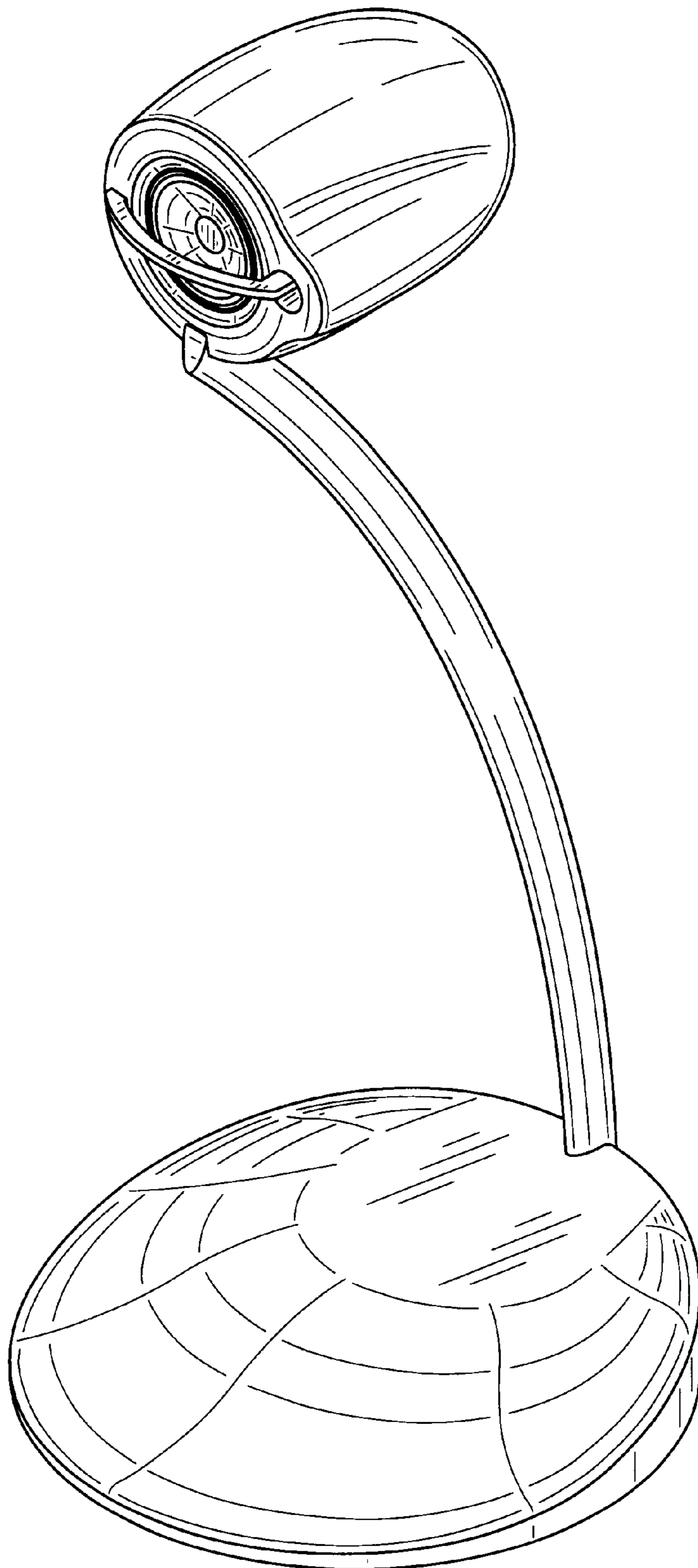


Fig.9

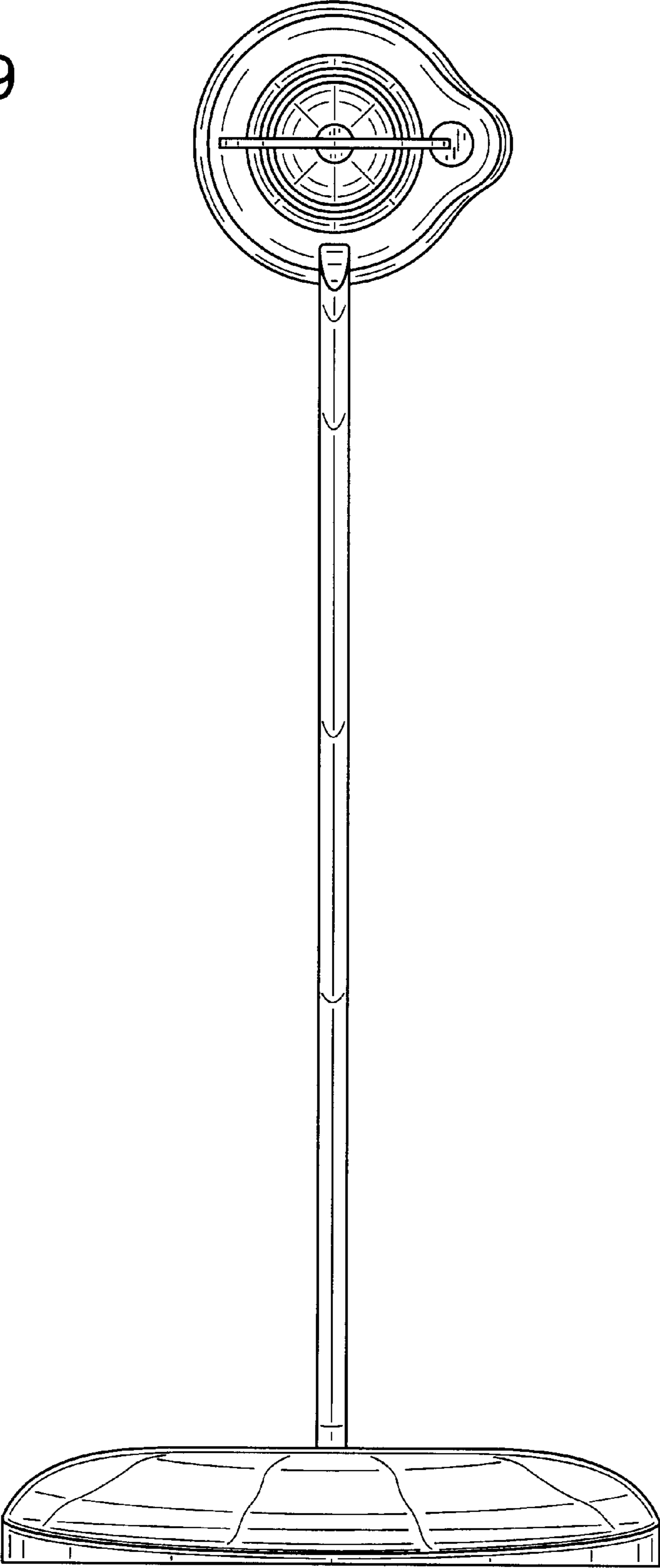


Fig.10

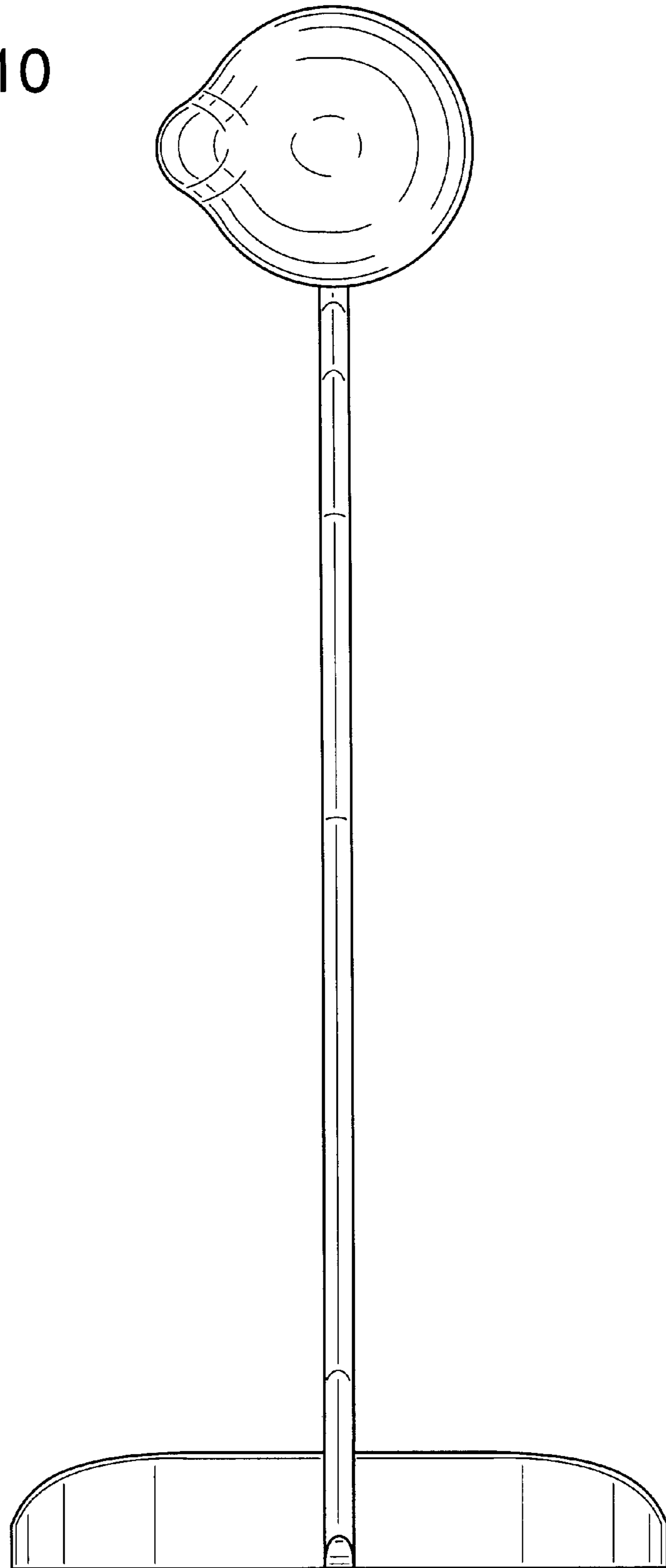


Fig.11

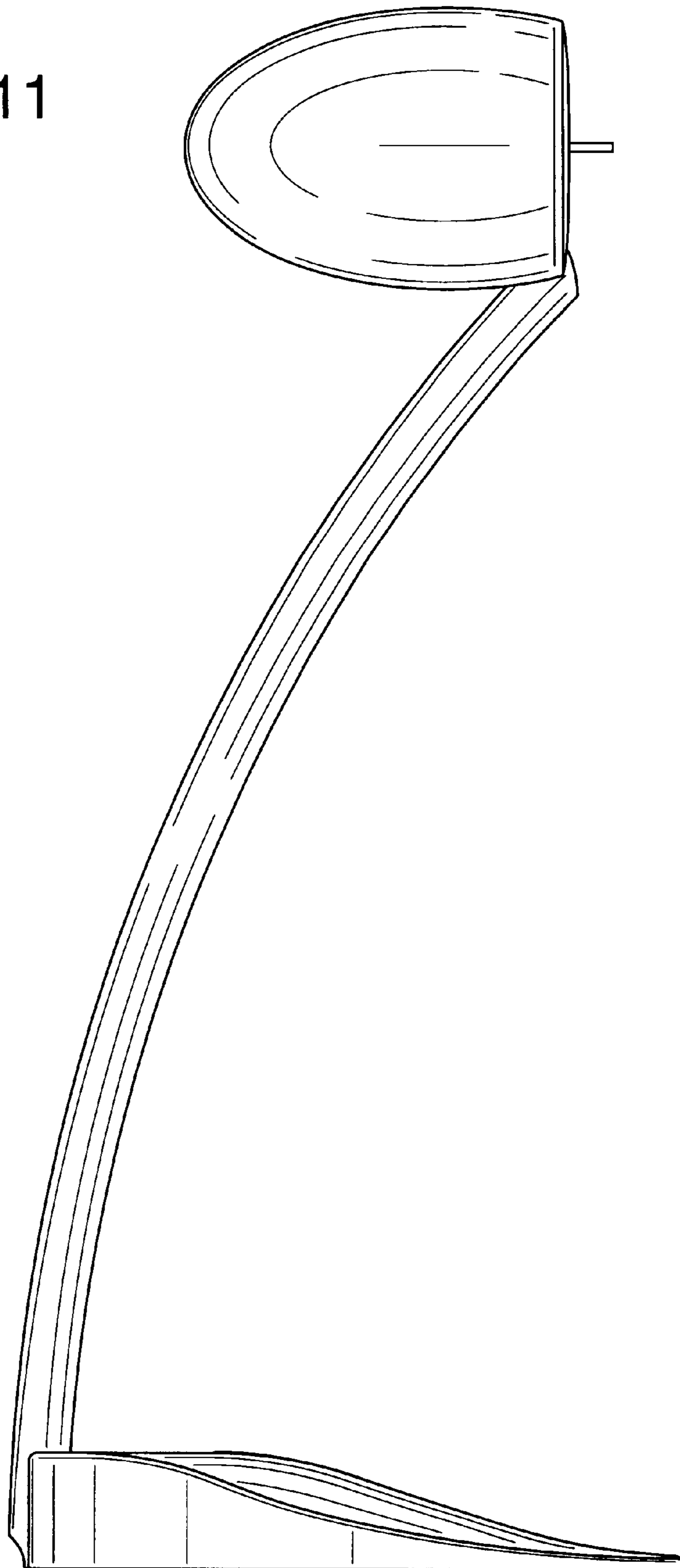


Fig.12

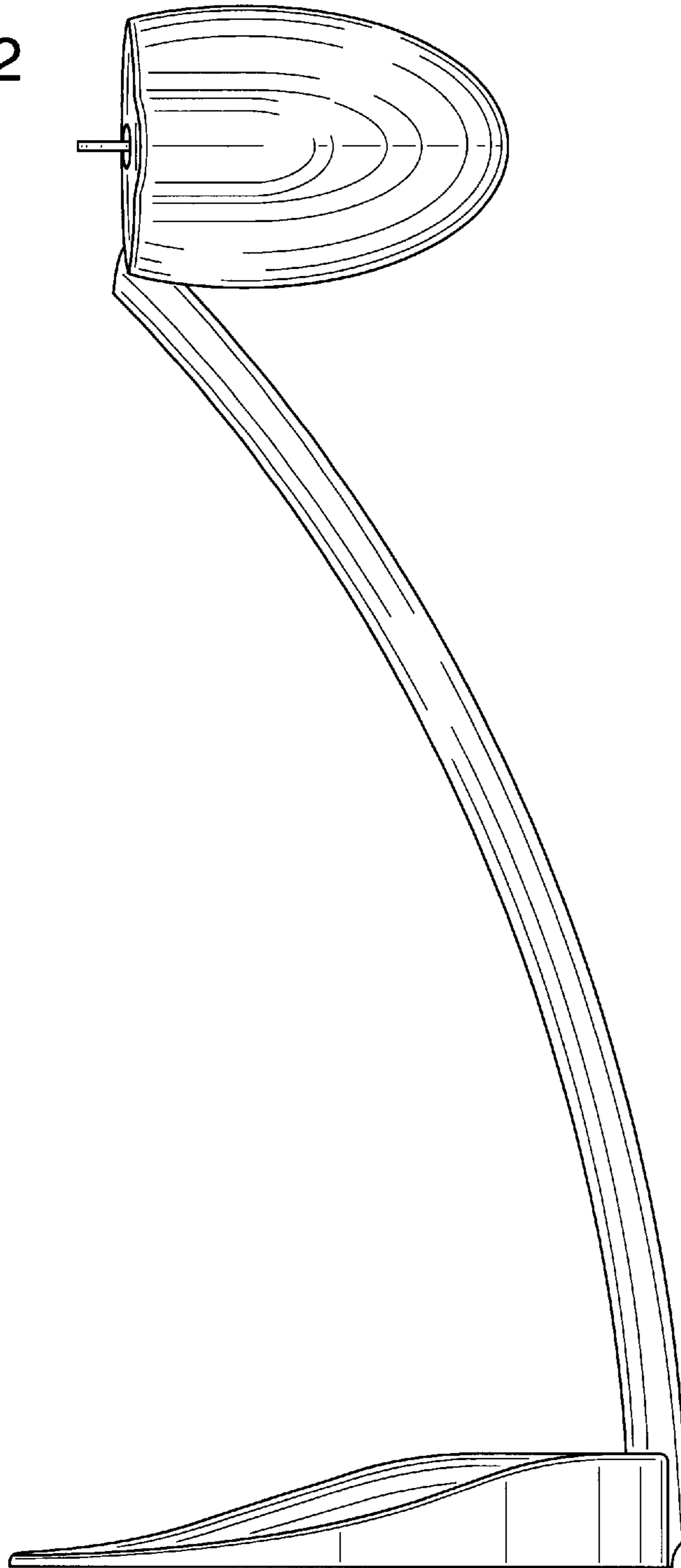


Fig.13

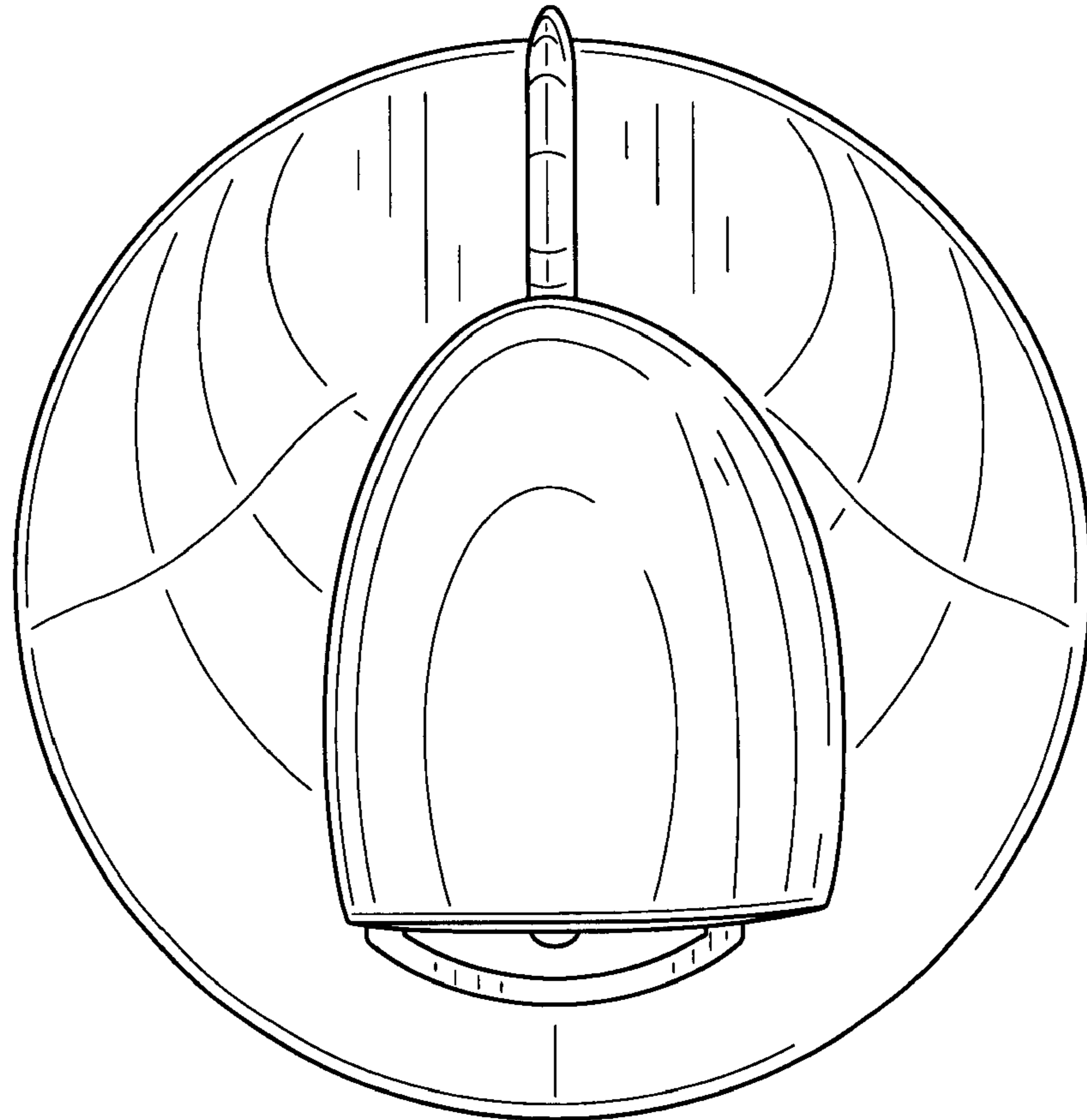


Fig.14

