



US00D536692S

(12) **United States Design Patent** (10) **Patent No.:** **US D536,692 S**
Alwicker et al. (45) **Date of Patent:** **** Feb. 13, 2007**

(54) **RECEIVER ASSEMBLY**

(75) Inventors: **Michael J. Alwicker**, Chicago, IL (US);
Scott E. Stropkay, Carlisle, MA (US);
Gabor Zaroni, Boston, MA (US)

(73) Assignee: **Shure Acquisition Holdings, Inc.**,
Niles, IL (US)

(**) Term: **14 Years**

(21) Appl. No.: **29/244,473**

(22) Filed: **Dec. 9, 2005**

(51) **LOC (8) Cl.** **14-03**

(52) **U.S. Cl.** **D14/188**

(58) **Field of Classification Search** D14/188–198,
D14/156, 157, 168, 169, 265, 137; 455/344–351,
455/3.06; 370/464, 480, 493, 901, 916; 369/1–12;
381/119–121

See application file for complete search history.

Printout of web page regarding Audio–Technica: 600 Series
Freeway: Frequency–agile UHF Wireless System (retrieved
Jan. 9, 2006) <URL: http://www.audio-technia.com/cms/whl_systems/b9190e96dc8cf/index.html>.

Printout of web page regarding Audio–Technica: 2000
Series: Frequency–agile True Diversity UHF Wireless Sys-
tem (retrieved Jan. 9, 2006. <URL:http://www.audio-technica.com/cms/whl_systems/6bc6d93a774d761d/index.html>.

Printout of web page regarding AKG Acoustics—SR 40
(Discontinued) (retrieved Jan. 9, 2006) <URL:http://www.akg.com/products/powerslave_id_285_pid_285_mynodeid_186_language_EN.html>.

Printout of web page regarding AKG Acoustics—SR 40
diversity (Discontinued) (retrieved Jan. 9, 2006) <URL:
http://www.akg.com/products/powerslave_id_286_pid_286_mynodeid_186_language_EN.html>.

Printout of web page regarding Shure PGX4 Wireless
Receiver (retrieved Jan. 9, 2006) <URL:<http://www.shure.com/wireless/pgx/pgx4.asp>>.

(Continued)

(56) **References Cited**

U.S. PATENT DOCUMENTS

5,109,539	A *	4/1992	Inubushi et al.	455/575.1
5,551,069	A *	8/1996	Harrison et al.	455/575.6
D379,627	S *	6/1997	Takahashi	D14/171
D404,736	S	1/1999	Alvarez et al.	
6,415,138	B2 *	7/2002	Sirola et al.	455/90.1
D477,304	S	7/2003	Isaacs et al.	
D481,374	S *	10/2003	Lee	D14/188
D489,704	S *	5/2004	Kim	D14/188
D490,070	S *	5/2004	Lee	D14/188
6,769,603	B2 *	8/2004	Nagai et al.	235/375
D497,356	S *	10/2004	Jerome	D14/197
6,920,344	B2 *	7/2005	Jang	455/575.5
6,975,842	B2 *	12/2005	Chen	455/90.3
D523,414	S *	6/2006	Kobayashi	D14/188

OTHER PUBLICATIONS

Printout of web page regarding Sennheiser USA—fp35,
Product Details (retrieved Jan. 9, 2006) <URL: <http://www.sennheiserusa.com/newsite/productdetail.asp?transide=500594>>.

Primary Examiner—Prabhakar Deshmukh
(74) *Attorney, Agent, or Firm*—Banner & Witcoff, Ltd.

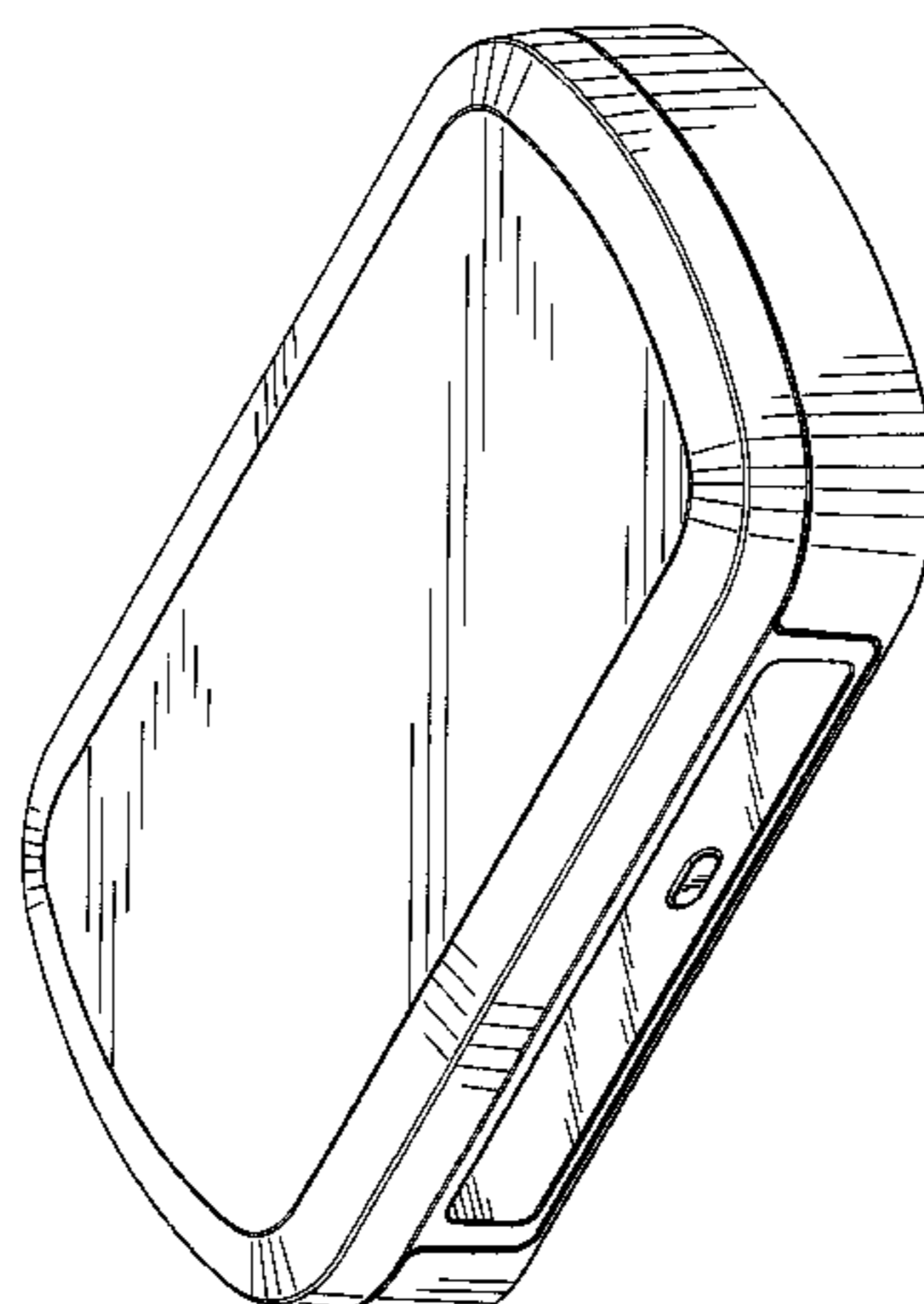
(57) **CLAIM**

The ornamental design for a receiver assembly, as shown
and described.

DESCRIPTION

FIG. 1 is a front perspective view of a receiver assembly
showing our new design;
FIG. 2 is a front view thereof;
FIG. 3 is a left side view thereof;
FIG. 4 is a right side view thereof;
FIG. 5 is a rear view thereof;
FIG. 6 is a top view thereof; and,
FIG. 7 is a bottom view thereof.

1 Claim, 4 Drawing Sheets



OTHER PUBLICATIONS

Printout of web page regarding Sennheiser USA—ew112G2—Product Details (retrieved Jan. 9, 2006) <URL:<http://www.sennheiserusa.com/newsite/productdetail.asp?transide=G2-2>>.

Printout of web page regarding AKG Acoustics—SR 81 (Discontinued) (retrieved Jan. 9, 2006) <URL:<http://www.akg.com/products/powerslave,id,448,mynodeid,186,language,EN.html>>.

Printout of web page regarding Audio—Technica : 200 Series Freeway : VHF Wireless Systems (retrieved Jan. 9, 2006) <URL:http://www.audio-technica.com/cms/wis_systems/0c0681539f9949f6/index.html>.

Printout of web page regarding Audio—Technica : 3000 Series: Frequency—agile True Diversity UHF Wireless Systems (retrieved Jan. 9, 2006) <URL:http://www.audio-technica.com/cms/wis_systems/7ee89d5bb13ceadd/index.html>.

Printout of web page regarding EV RE2N2 Wireless Handheld Systems at Musicians Buy (Jan. 9, 2006) <URL:<http://www.musiciansbuy.com/mb/items.asp?ic=REN2N2KIT>>.

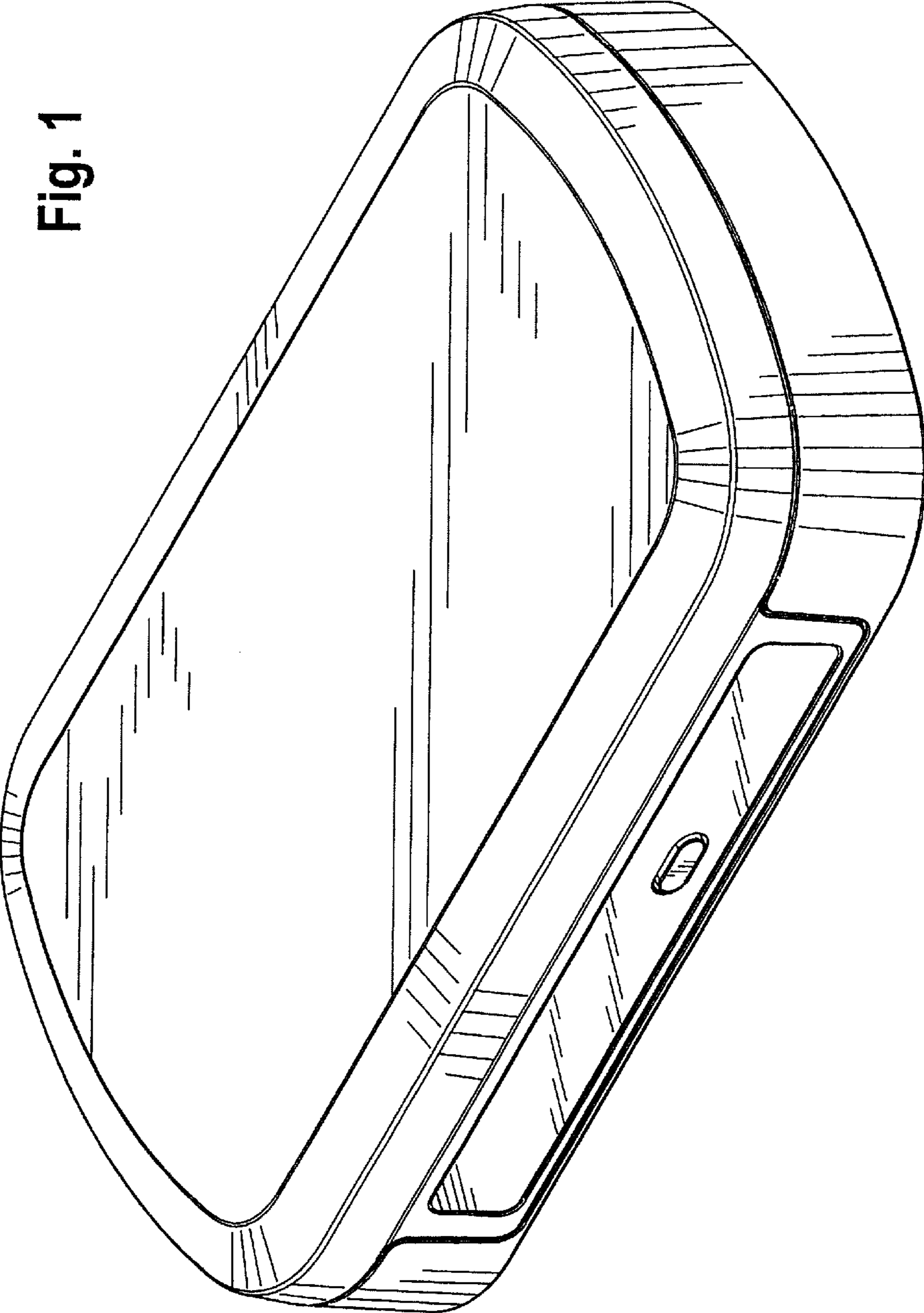
Printout of web page regarding Linksys.com—Products/Wireless/Basic Networking/Access Points/Wireless—G (802.11g)WAP54G (retrieved Jan. 9, 2006) <URL:http://www.linksys.com/servlet/Satellite?childpagename=US%2FLayout&packedargs=c%3DL_Product_C2%26cid%3D1126536803676&pagename=Linksys%2FCommon%2FVisitorWrapper>.

Printout of web page regarding NETGEAR—54Mbps Wireless ADSL Firewall Router (retrieved Jan. 9, 2006) <URL:<http://www.netgear.com/products/details/DG834G.php>>.

Printout of web page regarding Home Wireless Routers & Gateways—NETGEAR (retrieved Jan. 9, 2006) <URL:http://www.netgear.com/products/comsumer/prod_router_wireless_hm.php>.

* cited by examiner

Fig. 1



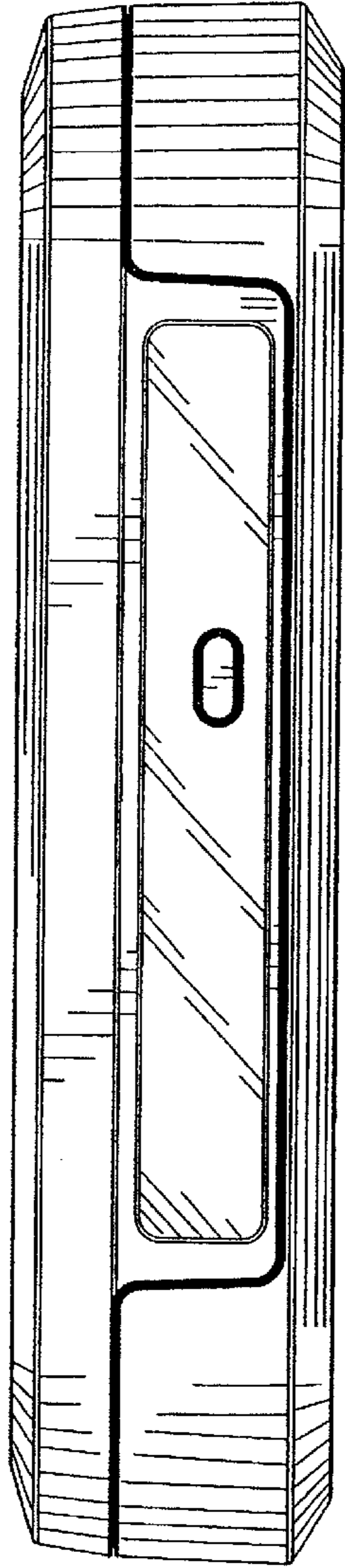


Fig. 2

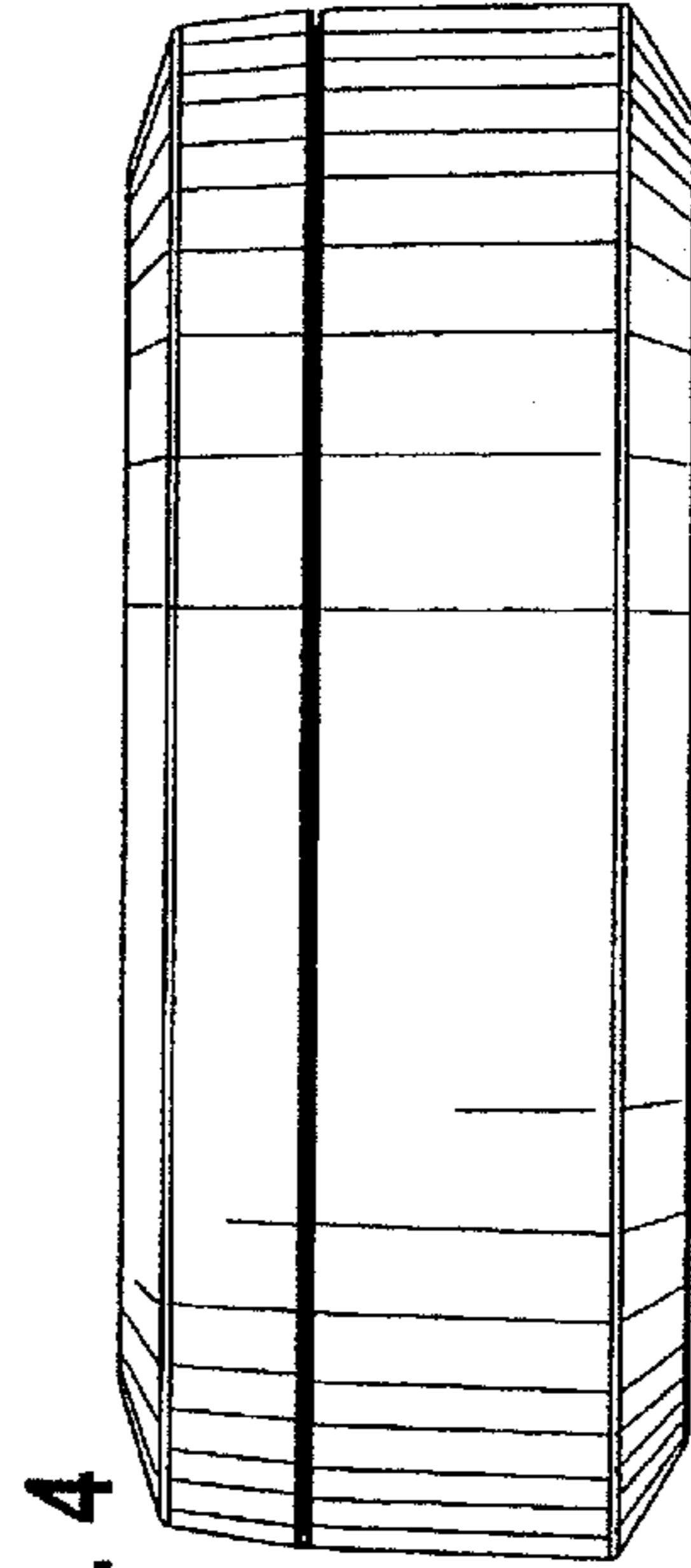


Fig. 4

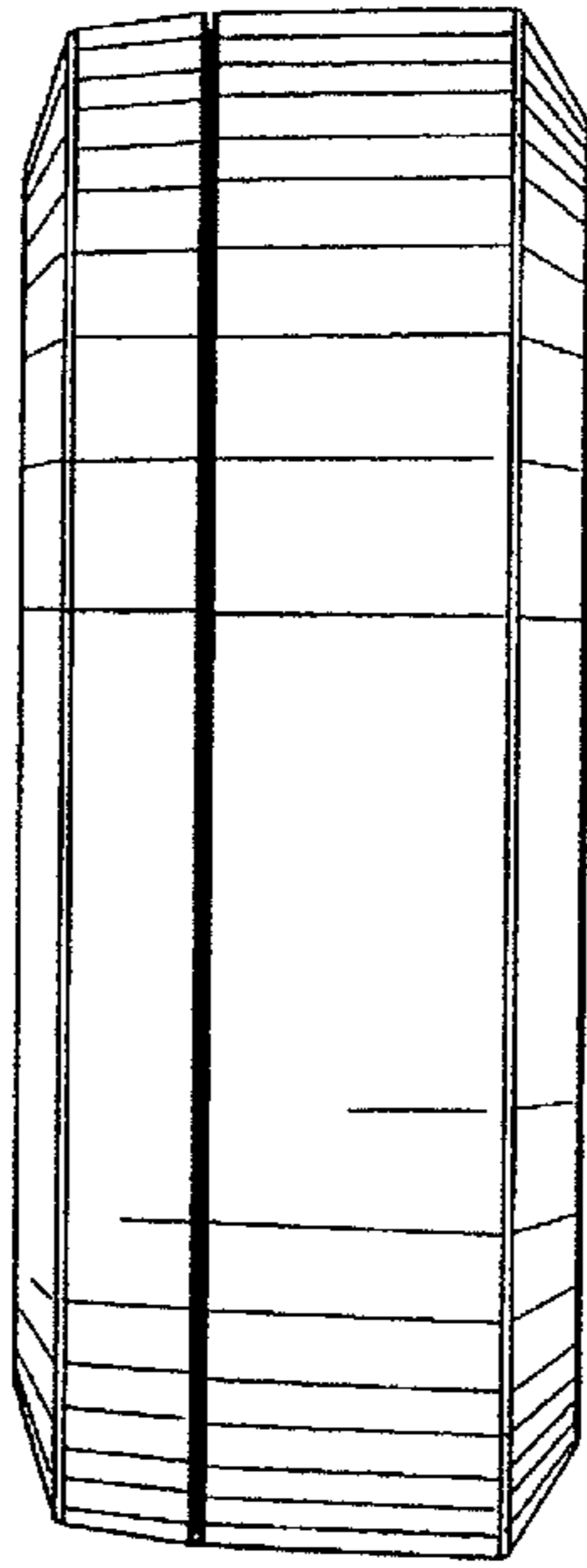


Fig. 3

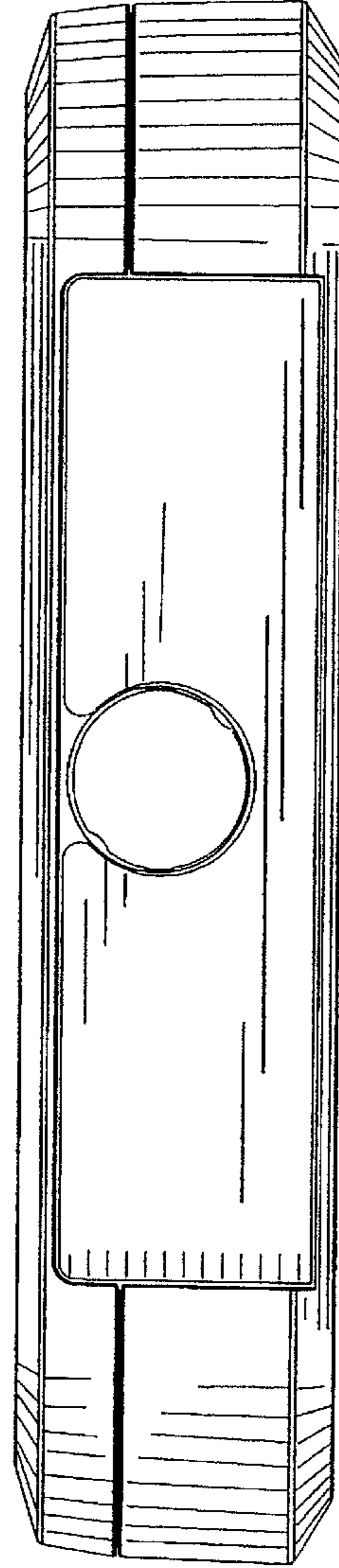


Fig. 5

Fig. 6

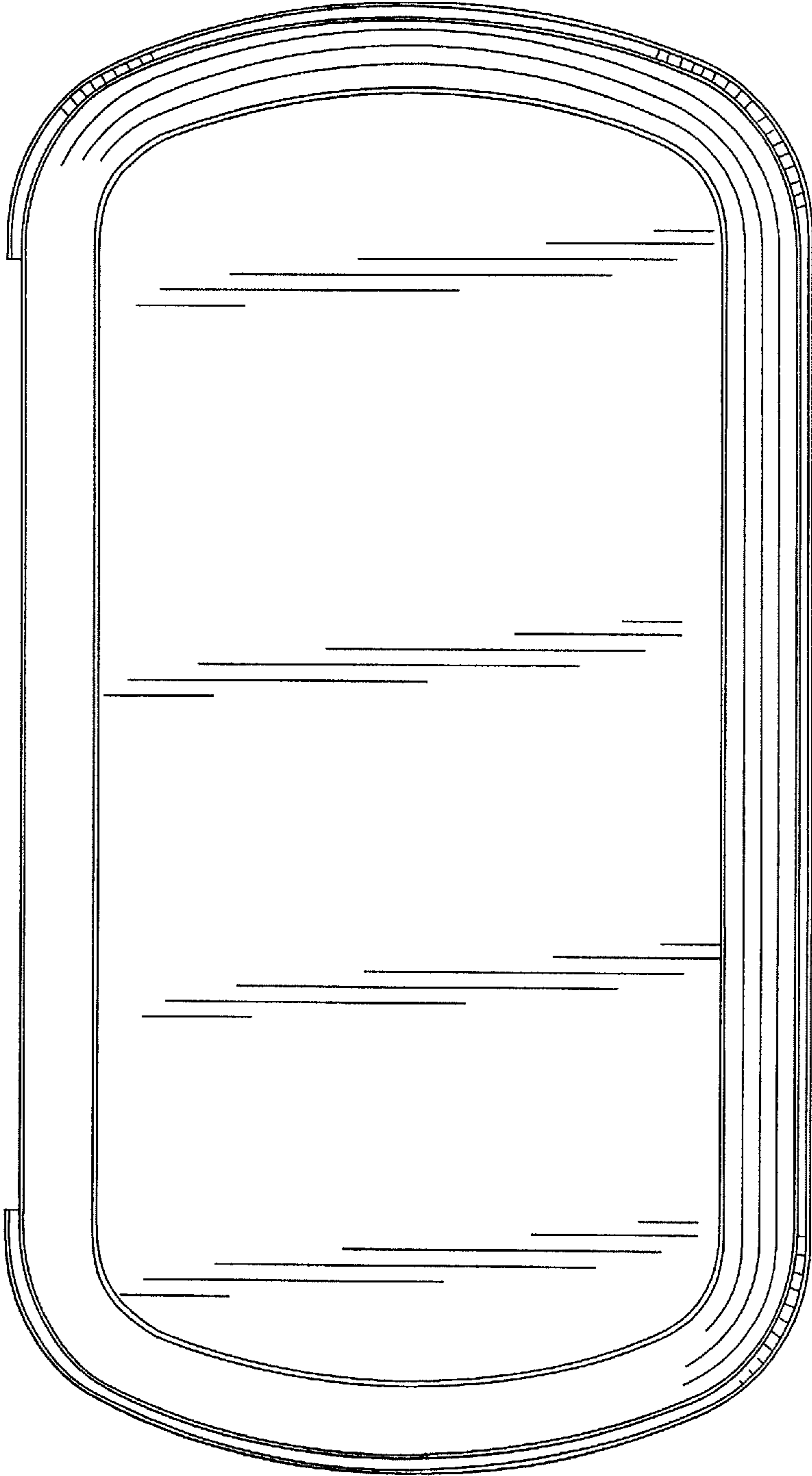


Fig. 7

