



US00D536690S

(12) **United States Design Patent** (10) **Patent No.:** **US D536,690 S**
Lee (45) **Date of Patent:** **** Feb. 13, 2007**

(54) **MOBILE PHONE**

(75) Inventor: **Young-Keun Lee**, Seoul (KR)

(73) Assignee: **Samsung Electronics Co., Ltd.**,
Suwon-si (KR)

(**) Term: **14 Years**

(21) Appl. No.: **29/254,186**

(22) Filed: **Feb. 21, 2006**

(30) **Foreign Application Priority Data**

Oct. 14, 2005 (KR) 30-2005-0034748

(51) **LOC (8) Cl.** **14-03**

(52) **U.S. Cl.** **D14/138**

(58) **Field of Classification Search** D14/137,
D14/138, 147-148, 247-248, 144, 496, 156,
D14/341-347, 191, 192; 379/433.01-433.13;
455/575.4, 566, 575.1, 556.1, 556.2, 90.3,
455/41.2; D21/329, 331, 333; D16/208

See application file for complete search history.

(56) **References Cited**

U.S. PATENT DOCUMENTS

D357,919 S	*	5/1995	Tsui	D14/218
D473,207 S	*	4/2003	Tanio	D14/168
D480,697 S	*	10/2003	Lee et al.	D14/138
D483,032 S	*	12/2003	Bertrand et al.	D14/248
D488,471 S	*	4/2004	Yagawa et al.	D14/346
D496,644 S	*	9/2004	Yoo et al.	D14/138
D496,645 S	*	9/2004	Yoo et al.	D14/138
D498,737 S	*	11/2004	Park et al.	D14/138
D502,703 S	*	3/2005	Tsujimoto et al.	D14/346
D508,473 S	*	8/2005	Lee et al.	D14/138
D509,206 S	*	9/2005	Jang	D14/138
D515,060 S	*	2/2006	Lee et al.	D14/138
D515,536 S	*	2/2006	Lee et al.	D14/138
D518,019 S	*	3/2006	Ching	D14/156
D521,023 S	*	5/2006	Kim et al.	D14/496
D525,225 S	*	7/2006	Lee	D14/138
D525,611 S	*	7/2006	Jang	D14/138
D525,959 S	*	8/2006	Kim et al.	D14/138
D525,987 S	*	8/2006	Kim	D14/496

D526,300 S	*	8/2006	Lee	D14/136
2004/0242288 A1	*	12/2004	Balle et al.	455/575.1
2004/0259592 A1	*	12/2004	Taneya et al.	455/556.1
2005/0014538 A1	*	1/2005	Hyun et al.	455/575.4
2005/0083642 A1	*	4/2005	Senpuku et al.	361/681
2005/0124394 A1	*	6/2005	Kim et al.	455/575.3
2005/0245297 A1	*	11/2005	Lee et al.	455/575.4
2005/0266897 A1	*	12/2005	Ahn et al.	455/575.1
2006/0019726 A1	*	1/2006	Park et al.	455/575.1
2006/0025184 A1	*	2/2006	Cho et al.	455/575.4
2006/0111161 A1	*	5/2006	Cha et al.	455/575.4
2006/0121852 A1	*	6/2006	Kim et al.	455/41.2
2006/0142073 A1	*	6/2006	Gordecki	455/575.4
2006/0154703 A1	*	7/2006	Kim	455/575.4

OTHER PUBLICATIONS

Pantech PG-3600V telephone, announced Feb. 2006, [online], [retrieved on Aug. 13, 2006]. Retrieved from Internet ,URL: <http://www.gsmarena.com>.*

Motorola RIZR telephone, announced Jul. 2006, [online], [retrieved on Aug. 13, 2006]. Retrieved from Internet ,URL: <http://www.gsmarena.com>.*

(Continued)

Primary Examiner—Jeffrey Asch

(74) *Attorney, Agent, or Firm*—Staas & Halsey LLP

(57) **CLAIM**

The ornamental design for the mobile phone, as shown and described.

DESCRIPTION

FIG. 1 is a perspective view of the mobile phone showing my design;

FIG. 2 is a front view thereof;

FIG. 3 is a rear view thereof;

FIG. 4 is a left side view thereof;

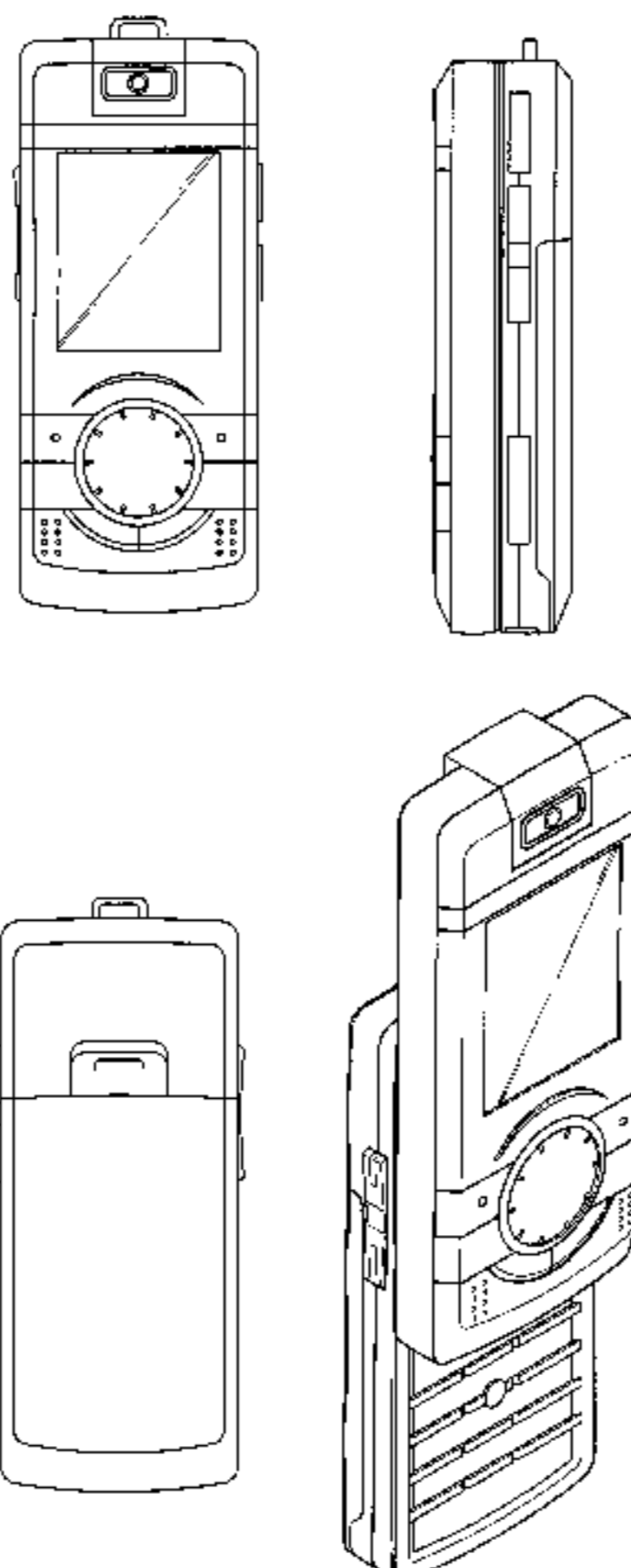
FIG. 5 is a right side view thereof;

FIG. 6 is a top plan view thereof;

FIG. 7 is a bottom plan view thereof; and,

FIG. 8 is a perspective, open view thereof.

1 Claim, 3 Drawing Sheets



OTHER PUBLICATIONS

Sony Ericsson W900 telephone, announced Oct. 2005, [online], [retrieved on Aug. 7, 2006]. Retrieved from Internet ,URL: <<http://www.gsmarena.com>>.*

Sony Ericsson W600 telephone, announced Jun. 2005, [online], [retrieved on Apr. 28, 2006]. Retrieved from Internet ,URL: <<http://www.gsmarena.com>>.*

Pantech PG-3000 telephone, announced 1st Quarter 2005, [online], [retrieved on Apr. 9, 2006]. Retrieved from Internet ,URL: <<http://www.gsmarena.com>>.*

NEC N500 telephone, announced 4th Quarter 2004, [online], [retrieved on Aug. 1, 2006]. Retrieved from Internet ,URL: <<http://www.gsmarena.com>>.*

Samsung yepp YP-U1X, review date Nov. 30, 2005, [online], [retrieved on Aug. 1, 2006]. Retrieved from Internet ,URL: <<http://www.pcmag.com>>.*

* cited by examiner

FIG. 1

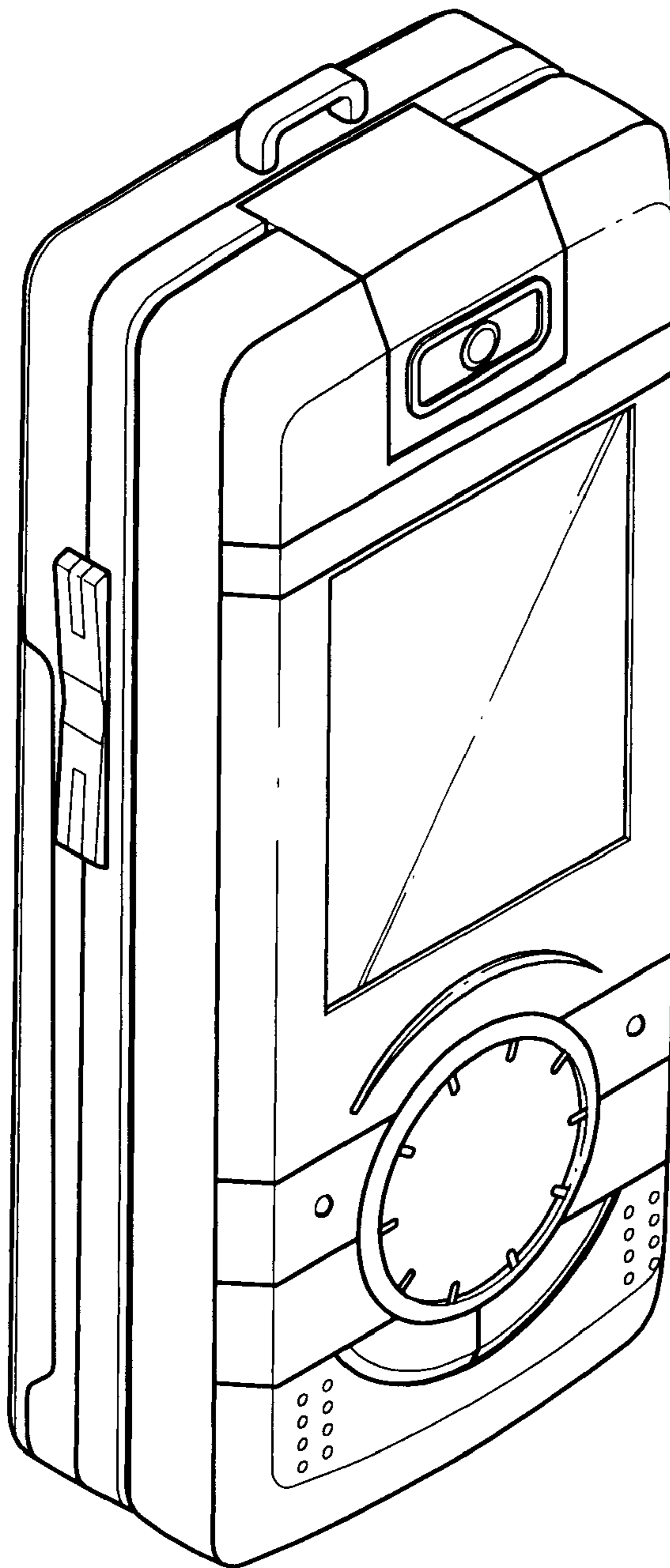


FIG. 2

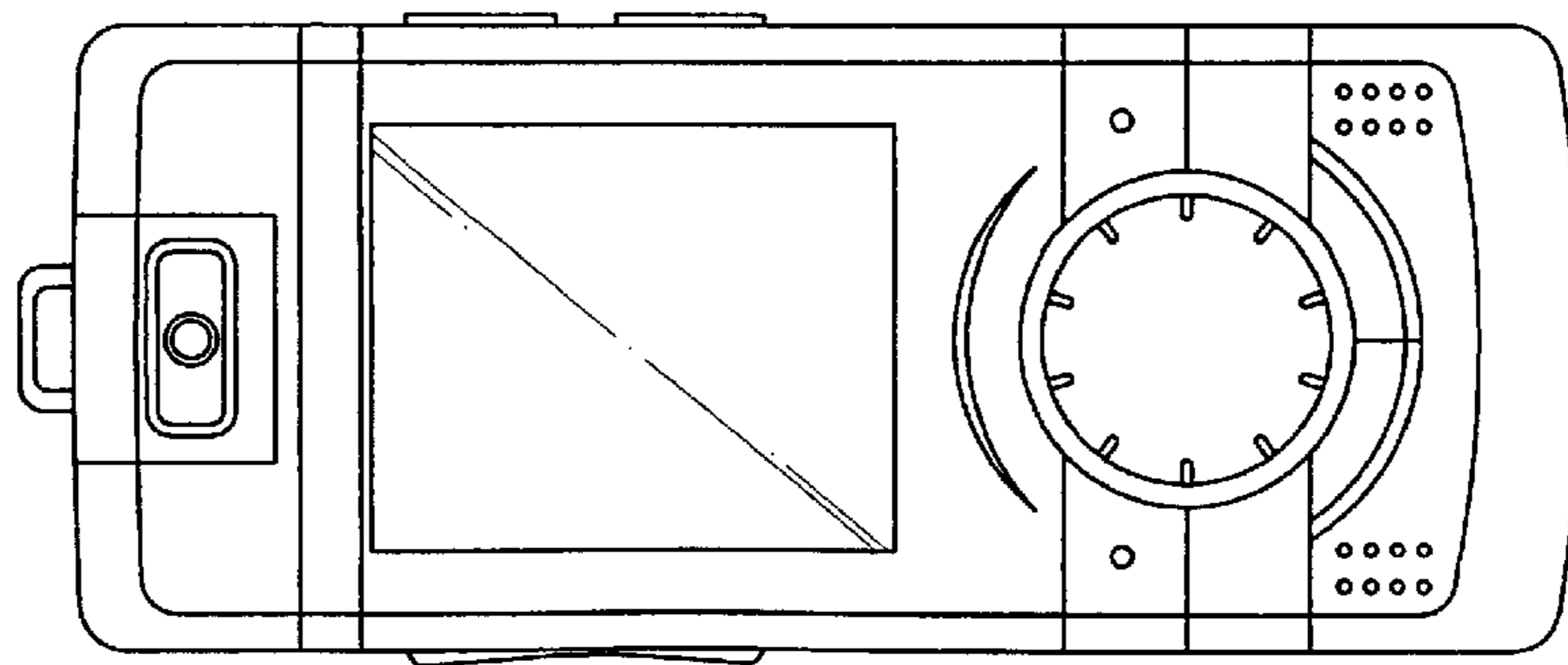


FIG. 3

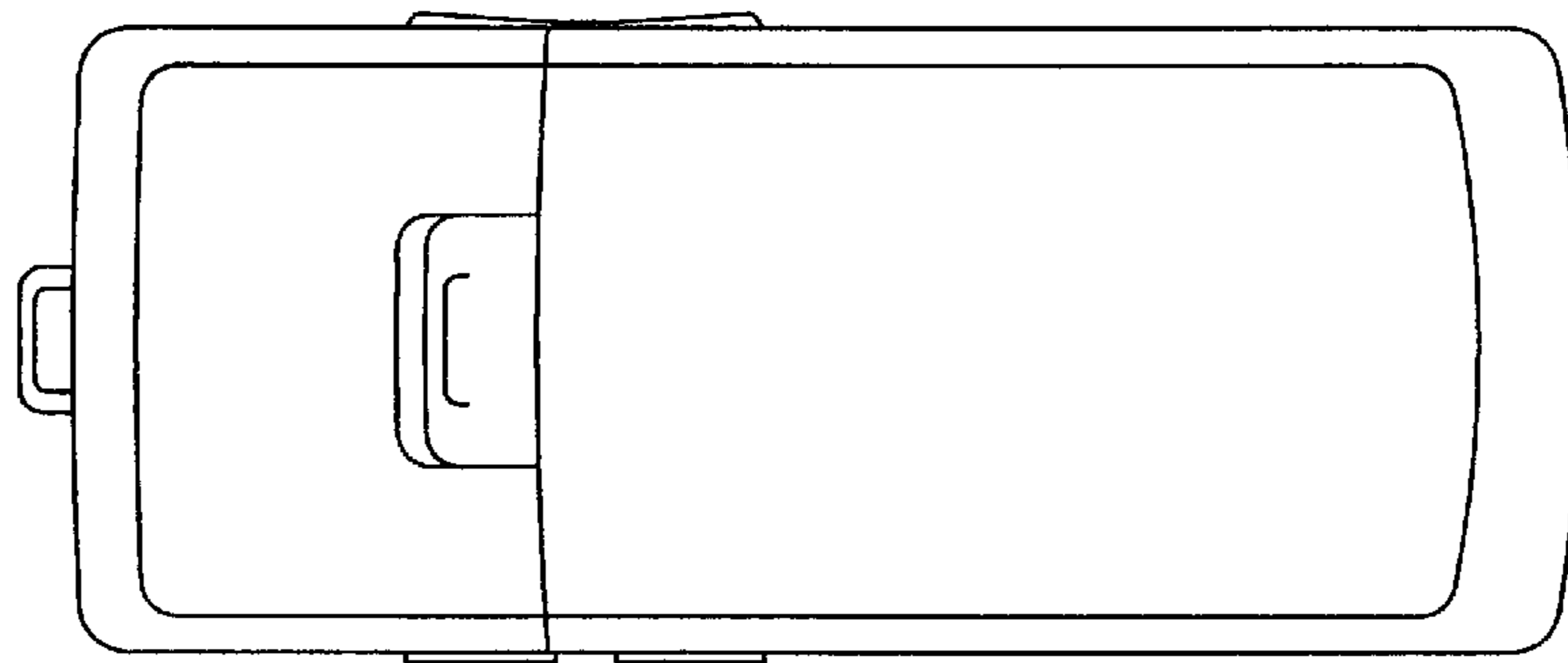


FIG. 4

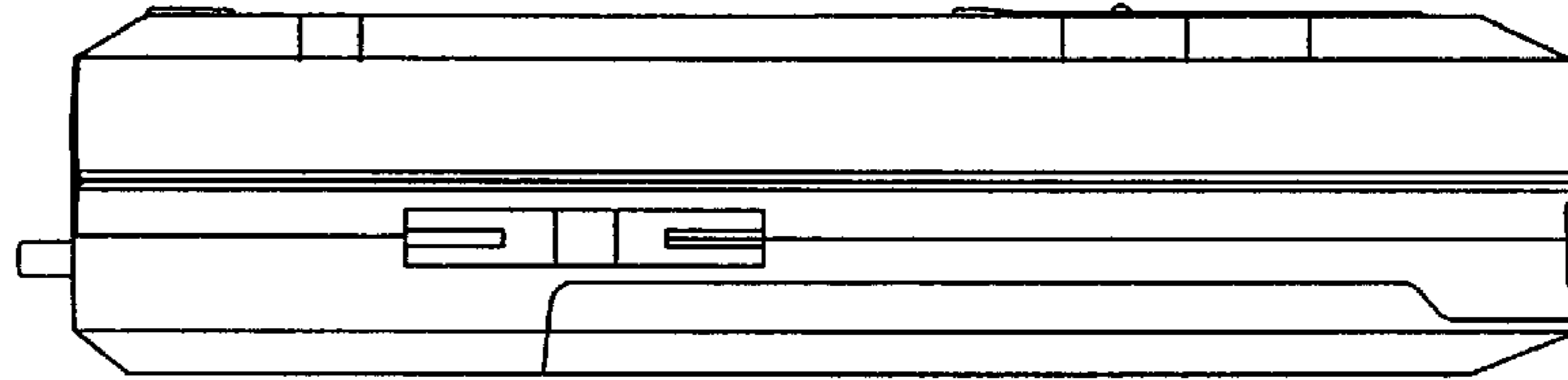


FIG. 5

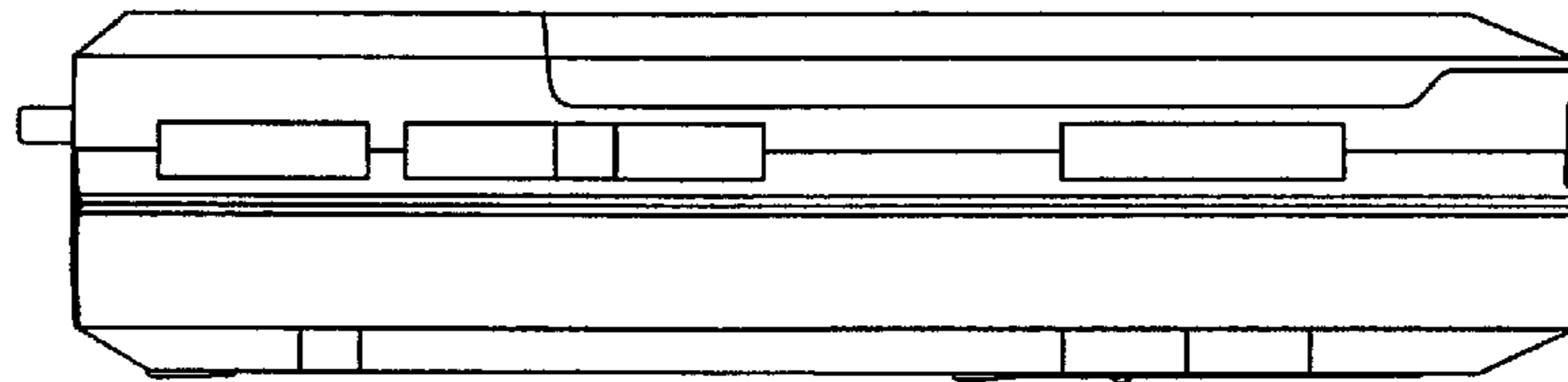


FIG. 6

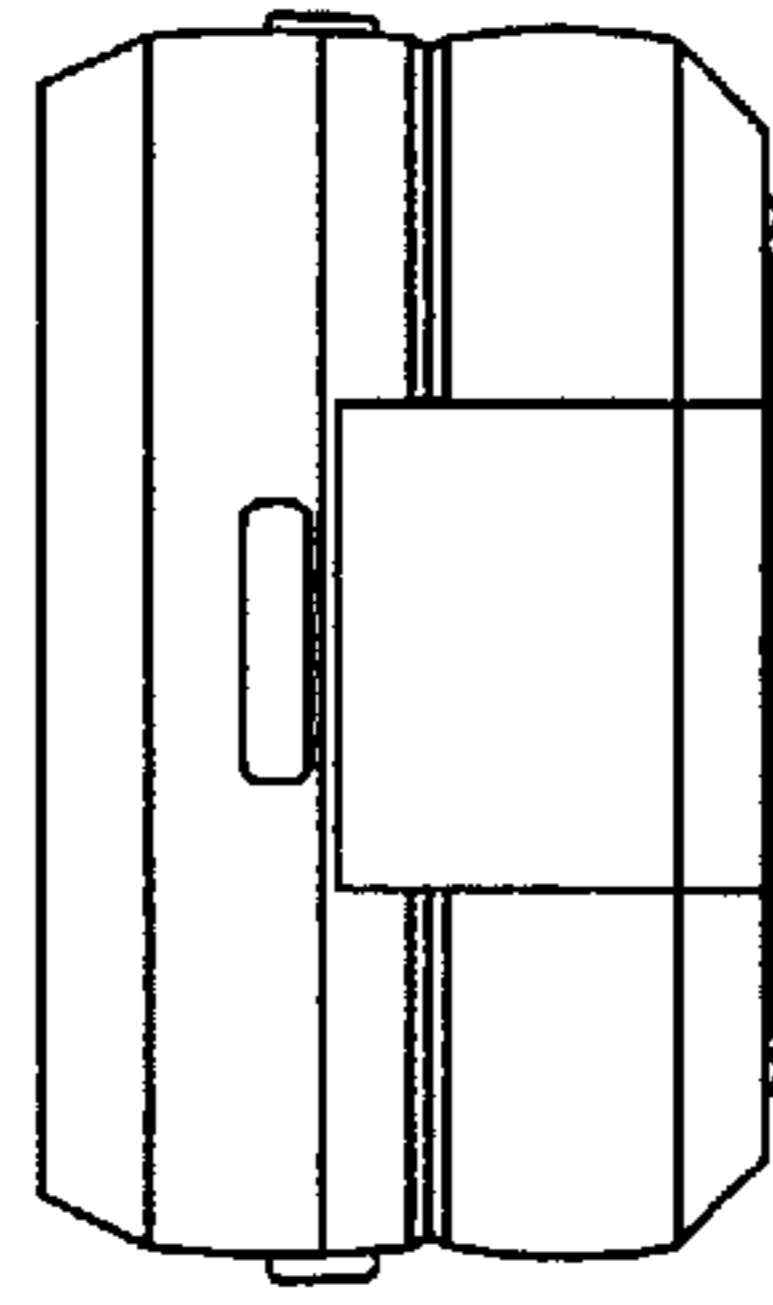


FIG. 7

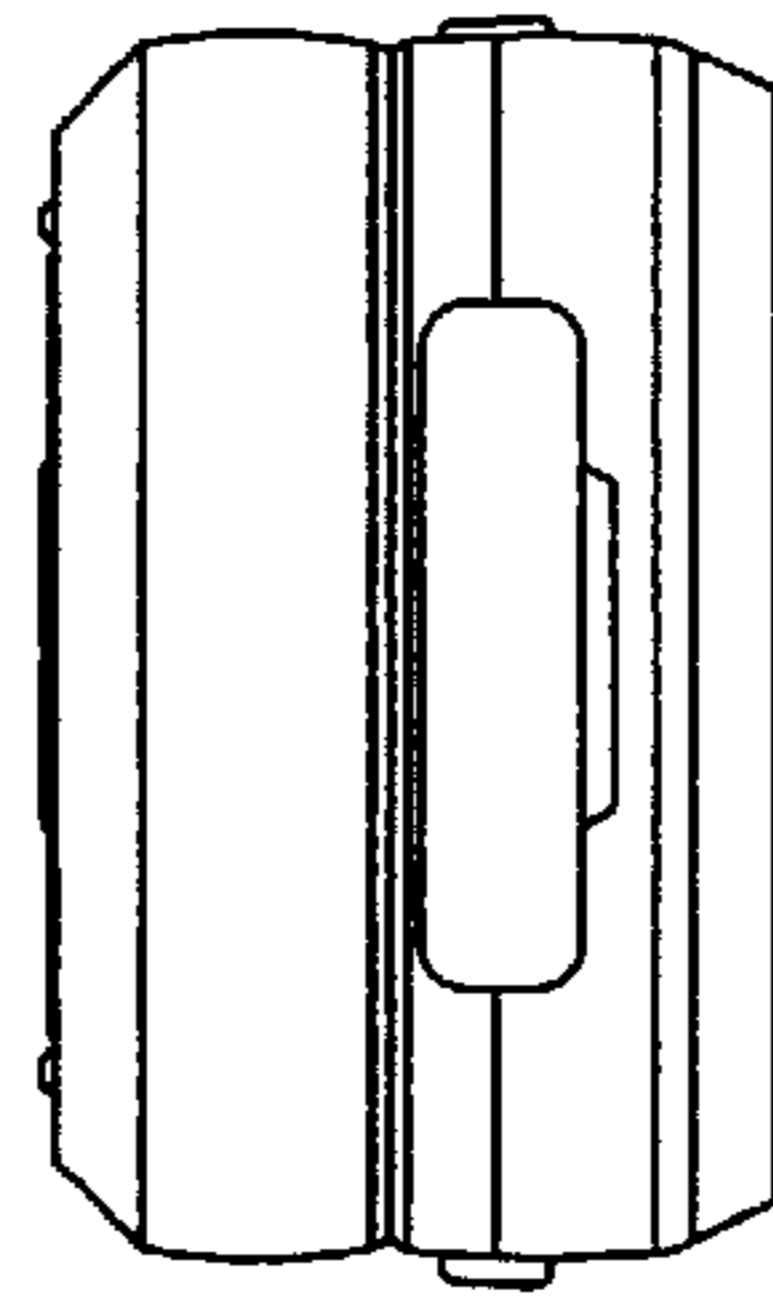


FIG. 8

