



US00D536685S

(12) **United States Design Patent** (10) **Patent No.:** **US D536,685 S**
Feng (45) **Date of Patent:** **** Feb. 13, 2007**

(54) **MP3 PHONE**

(76) Inventor: **Han Jiu Feng**, No. 401, 204# East Building, Tai Mao Industrial Zone, (Futian District) Che Gong Miao, Shenzhen, Guangdong (CN), 518031

(**) Term: **14 Years**

(21) Appl. No.: **29/229,221**

(22) Filed: **May 4, 2005**

(51) **LOC (8) Cl.** **14-03**

(52) **U.S. Cl.** **D14/138**

(58) **Field of Classification Search** D14/191, D14/138, 147-148, 247-248, 144, 496, 156, D14/341-347; 379/433.01-433.13; 455/575.3, 455/566, 575.1, 556.1, 556.2, 90.3; D21/517; D16/208

See application file for complete search history.

(56) **References Cited**

U.S. PATENT DOCUMENTS

D484,863 S *	1/2004	Chan	D14/138
D485,818 S *	1/2004	Yabe et al.	D14/138
D487,443 S *	3/2004	Yoon	D14/138
D487,444 S *	3/2004	Yoon	D14/138
D500,480 S *	1/2005	Daw	D14/138
D501,838 S *	2/2005	Kim et al.	D14/138
D501,839 S *	2/2005	Lee et al.	D14/138
D504,406 S *	4/2005	Cho et al.	D14/138
D505,126 S *	5/2005	Ahn et al.	D14/138
D507,552 S *	7/2005	Liang	D14/138

(Continued)

FOREIGN PATENT DOCUMENTS

JP 1188710 * 10/2003

OTHER PUBLICATIONS

Samsung D810 telephone, announced 1st quarter 2006, [online], [retrieved on Sep. 14, 2006]. Retrieved from Internet, <URL: http://www.gsmarena.com>.*

Samsung Z500 telephone, announced 1st quarter 2005, [online], [retrieved on Sep. 5, 2006]. Retrieved from Internet, <URL: http://www.gsmarena.com>.*

Mitsubishi M430i/M900 telephone, announced 3rd quarter 2004, [online], [retrieved on Aug. 29, 2006]. Retrieved from Internet, <URL: http://www.gsmarena.com>.*

Primary Examiner—Jeffrey Asch

(74) *Attorney, Agent, or Firm*—The Law Office of Robert T. Braun; Robert T. Braun; Clay E. Gaetje

(57) **CLAIM**

We claim the ornamental design for the MP3 phone, as shown and described.

DESCRIPTION

FIG. 1 is a front perspective view of the MP3 phone in a closed state according to the present invention.

FIG. 2 is a front view of the MP3 phone in a closed state according to the present invention.

FIG. 3 is a side view of the MP3 phone in a closed state according to the present invention.

FIG. 4 is a side view of the MP3 phone in a closed state according to the present invention.

FIG. 5 is a back view of the MP3 phone in a closed state according to the present invention.

FIG. 6 is a top view of the MP3 phone in a closed state according to the present invention.

FIG. 7 is a bottom view of the MP3 phone in a closed state according to the present invention.

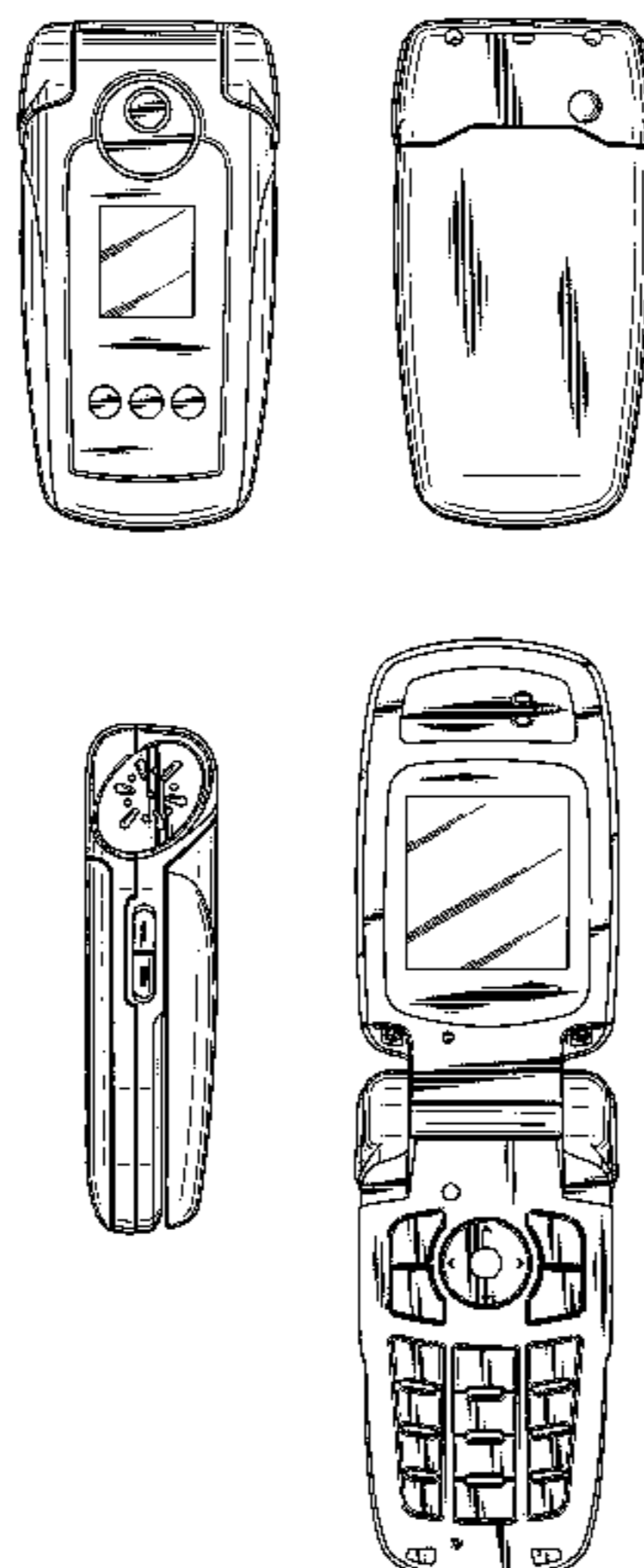
FIG. 8 is a front view of the MP3 phone in an open state according to the present invention.

FIG. 9 is a side view of the MP3 phone in an open state according to the present invention.

FIG. 10 is a side view of the MP3 phone in an open state according to the present invention; and,

FIG. 11 is a back view of the MP3 phone in an open state according to the present invention.

1 Claim, 3 Drawing Sheets



US D536,685 S

Page 2

U.S. PATENT DOCUMENTS

D508,029 S	*	8/2005	Lee	D14/138	D519,968 S	*	5/2006	Lee et al.	D14/138
D508,036 S	*	8/2005	Wada	D14/138	D519,973 S	*	5/2006	Chung et al.	D14/138
D508,037 S	*	8/2005	Joung	D14/138	D519,974 S	*	5/2006	Lee	D14/138
D508,684 S	*	8/2005	Lee et al.	D14/138	D520,483 S	*	5/2006	Park et al.	D14/138
D509,815 S	*	9/2005	Jang	D14/138	D520,980 S	*	5/2006	Taniyama et al.	D14/138
D512,039 S	*	11/2005	Kim et al.	D14/138	D521,969 S	*	5/2006	Kim et al.	D14/138
D518,463 S	*	4/2006	Tan et al.	D14/138	D522,991 S	*	6/2006	Yun et al.	D14/138
D518,808 S	*	4/2006	Lee	D14/138	2004/0097258 A1	*	5/2004	Lee et al.	455/550.1
D519,096 S	*	4/2006	Kanaoka et al.	D14/138	2004/0204145 A1	*	10/2004	Nagatomo	455/566
D519,486 S	*	4/2006	Lee et al.	D14/138	2005/0003852 A1	*	1/2005	Song	455/550.1

* cited by examiner

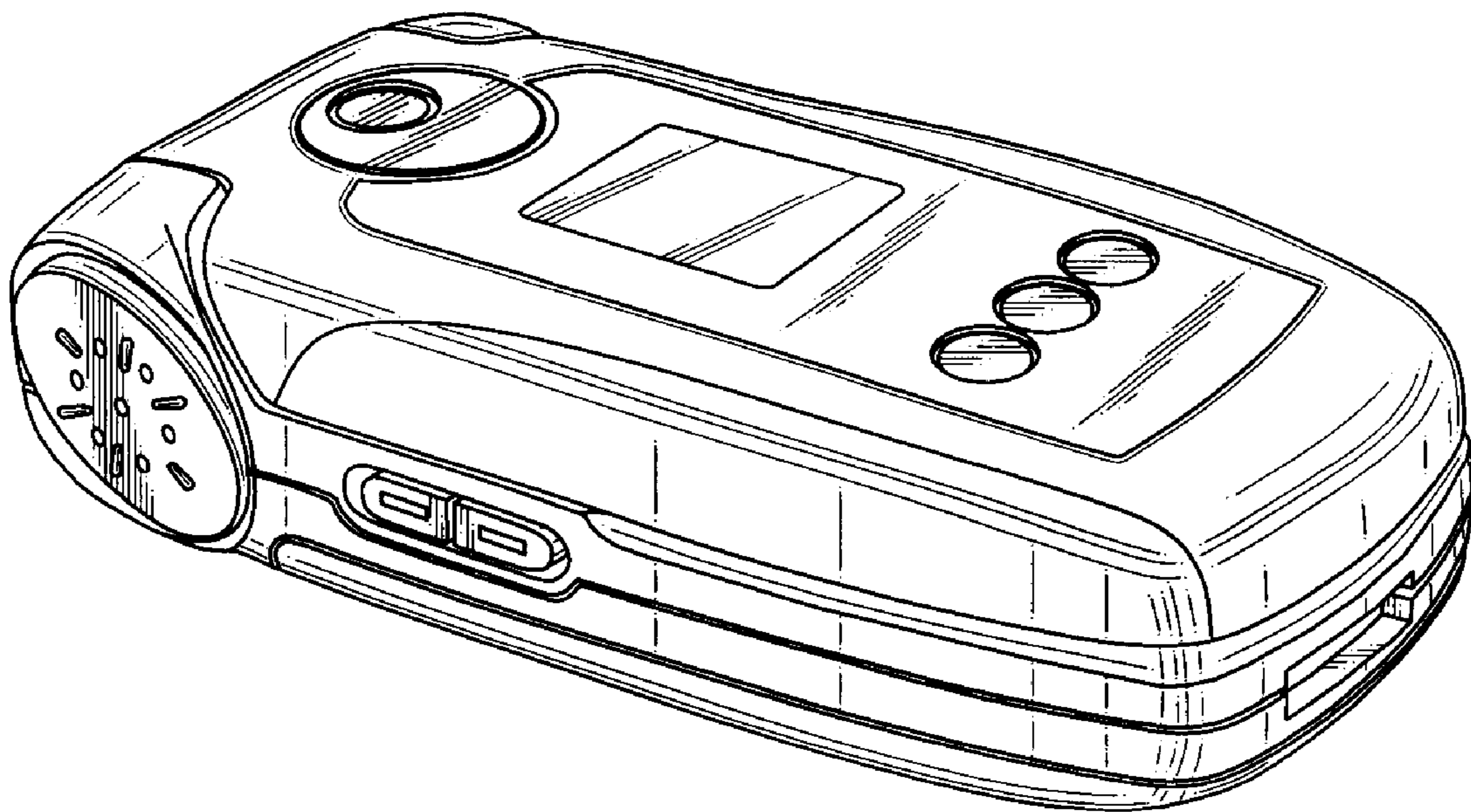


FIG. 1

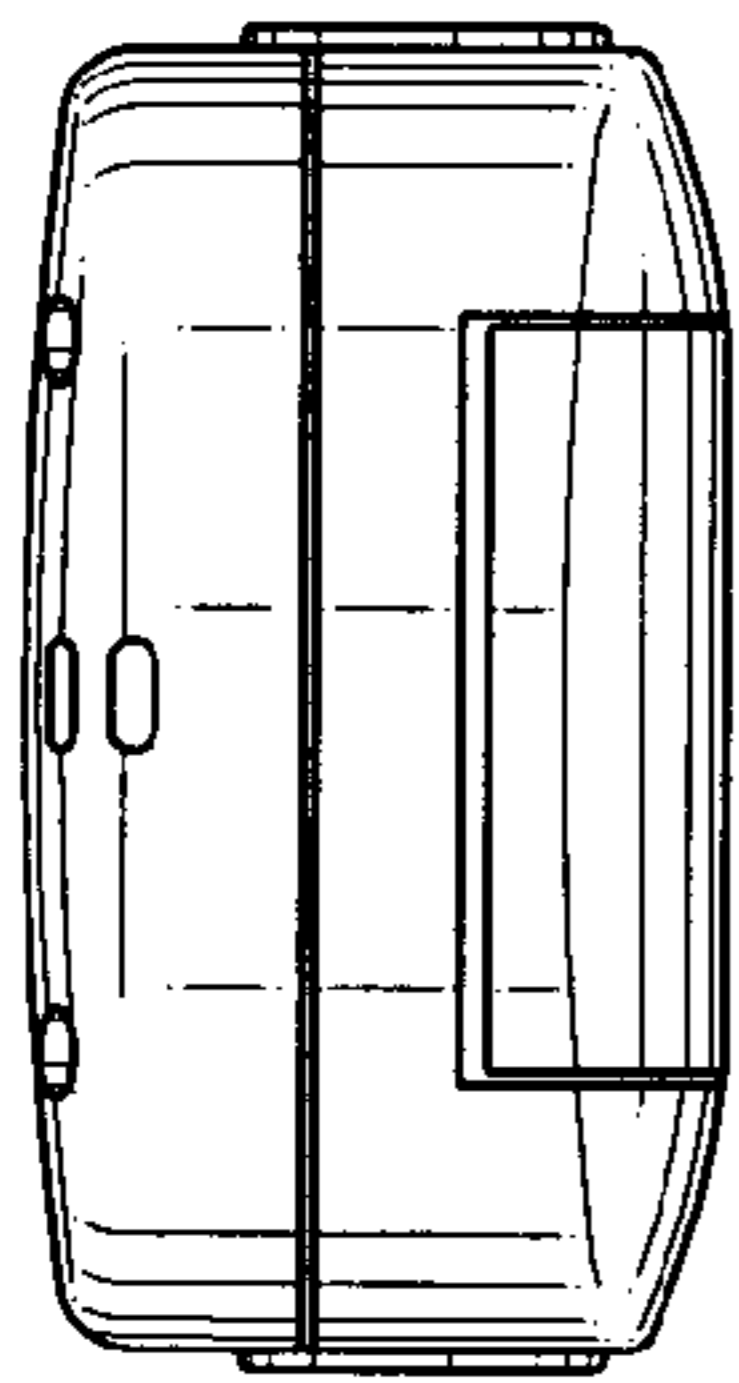


FIG. 6

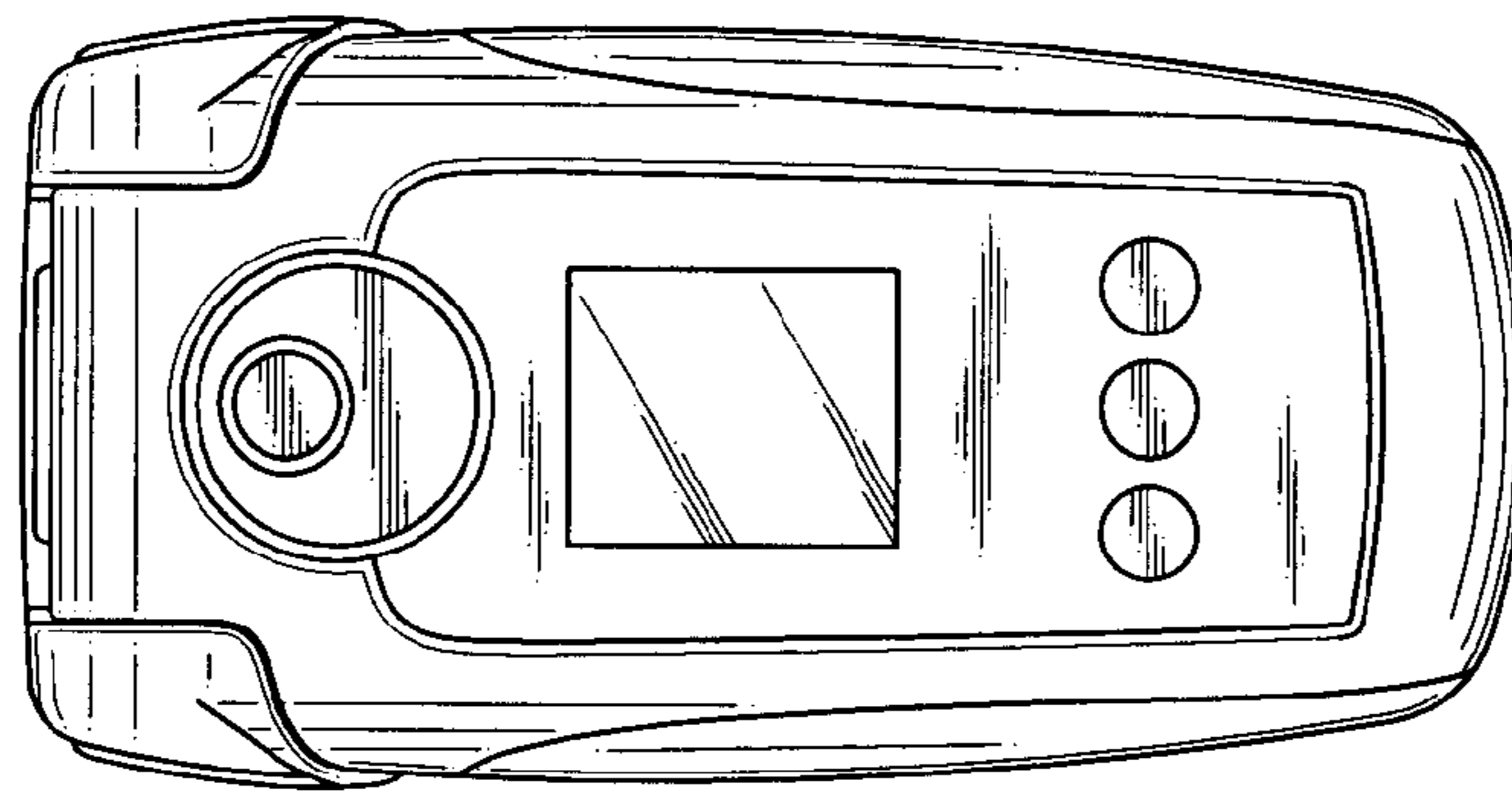


FIG. 2

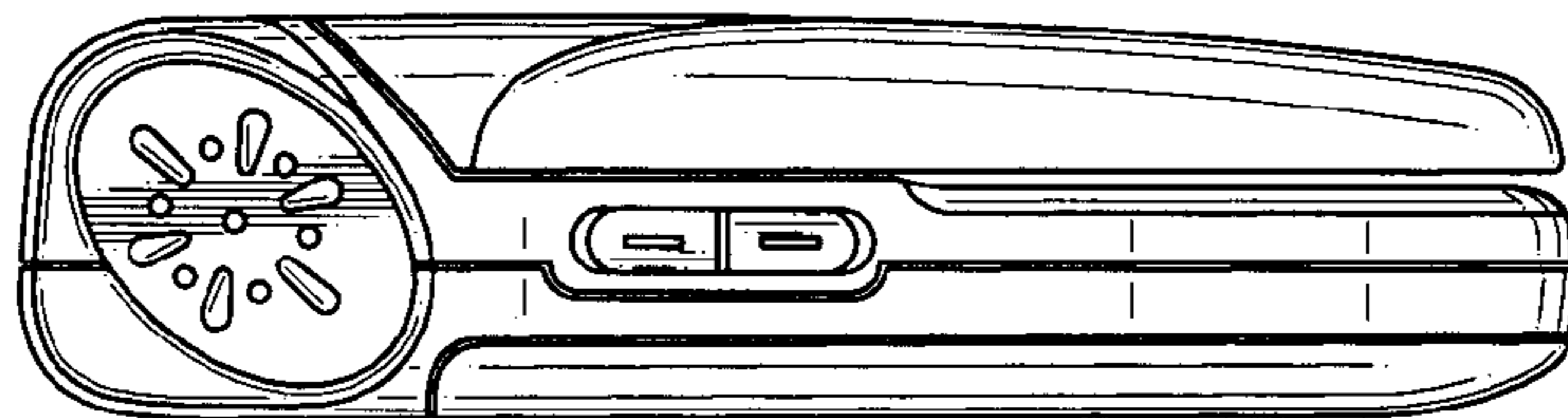


FIG. 3

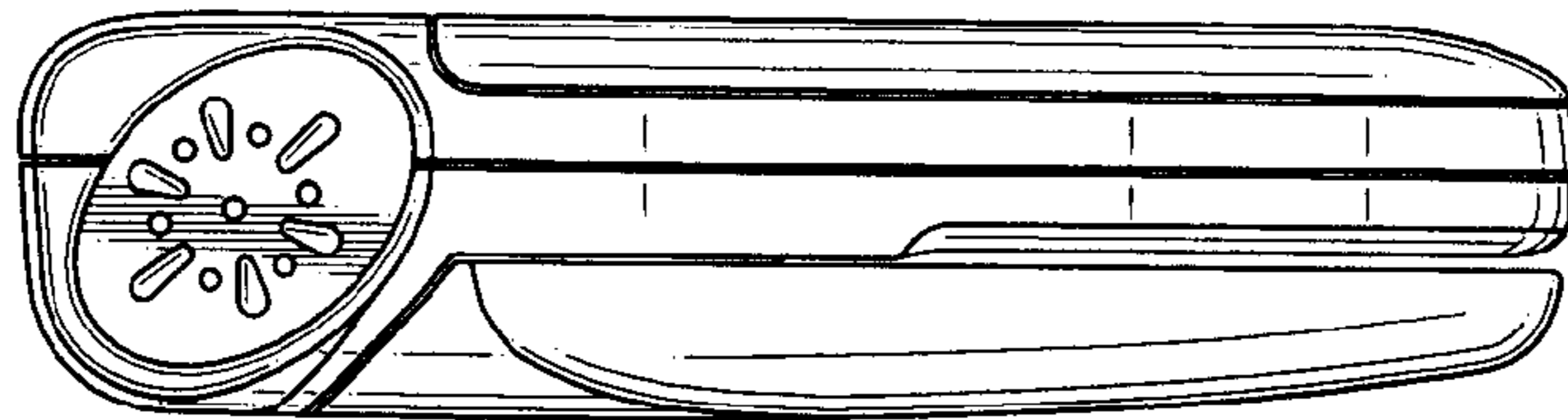


FIG. 4

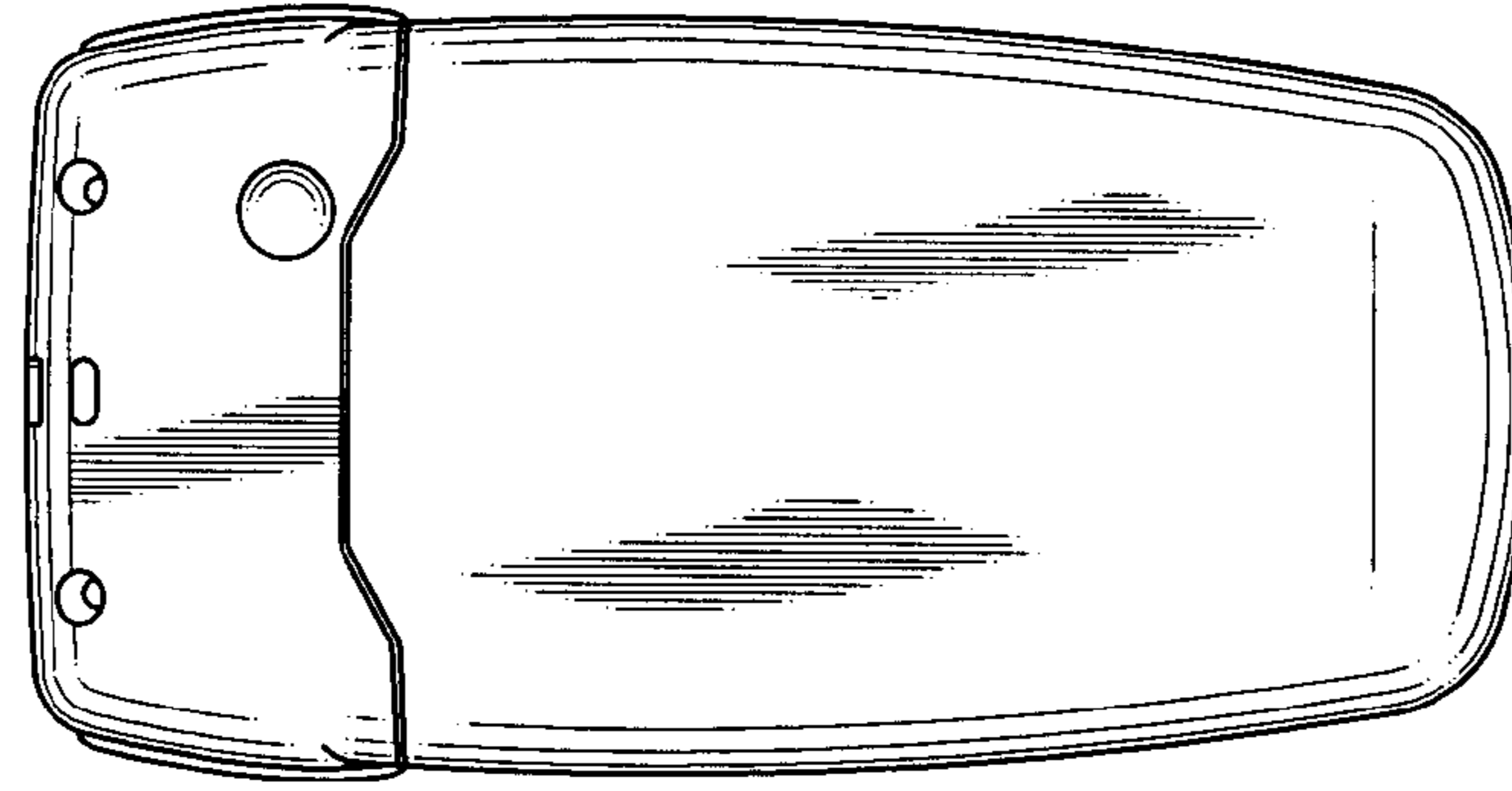


FIG. 5

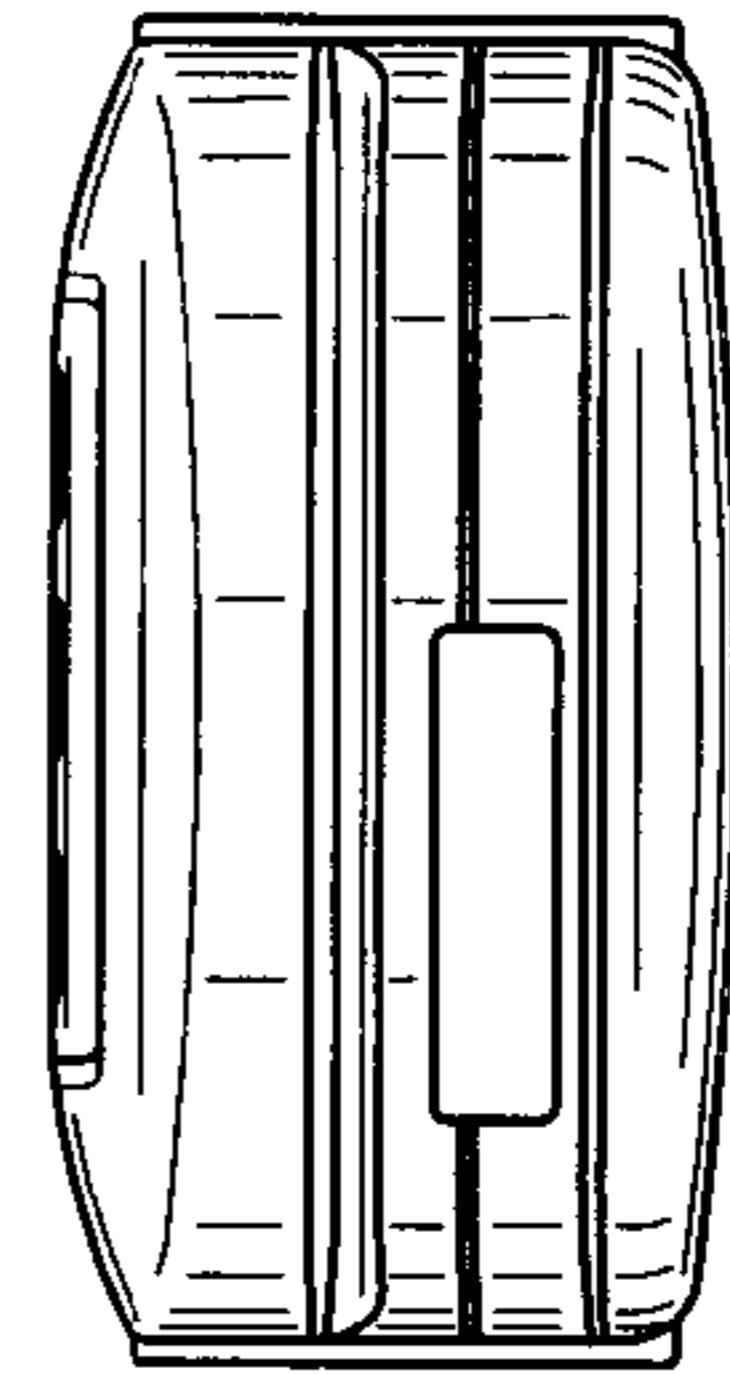


FIG. 7

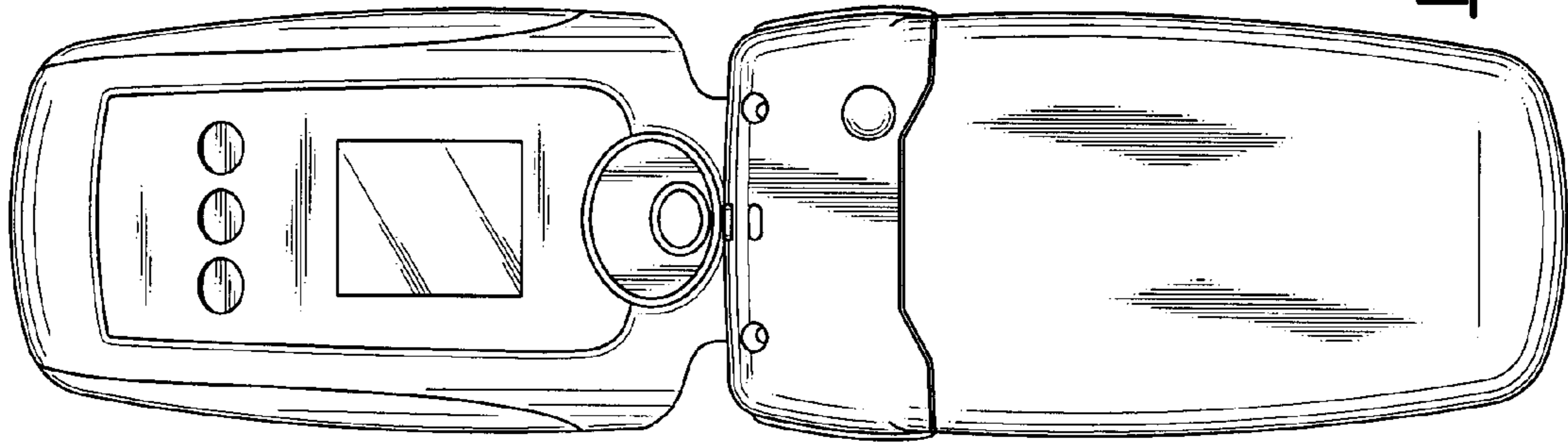


FIG. 11

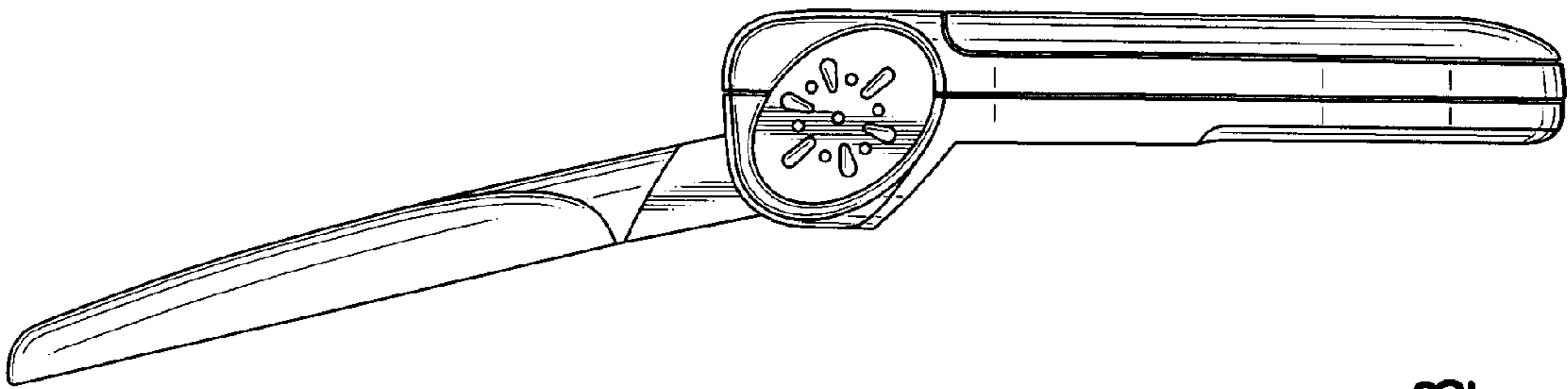


FIG. 10

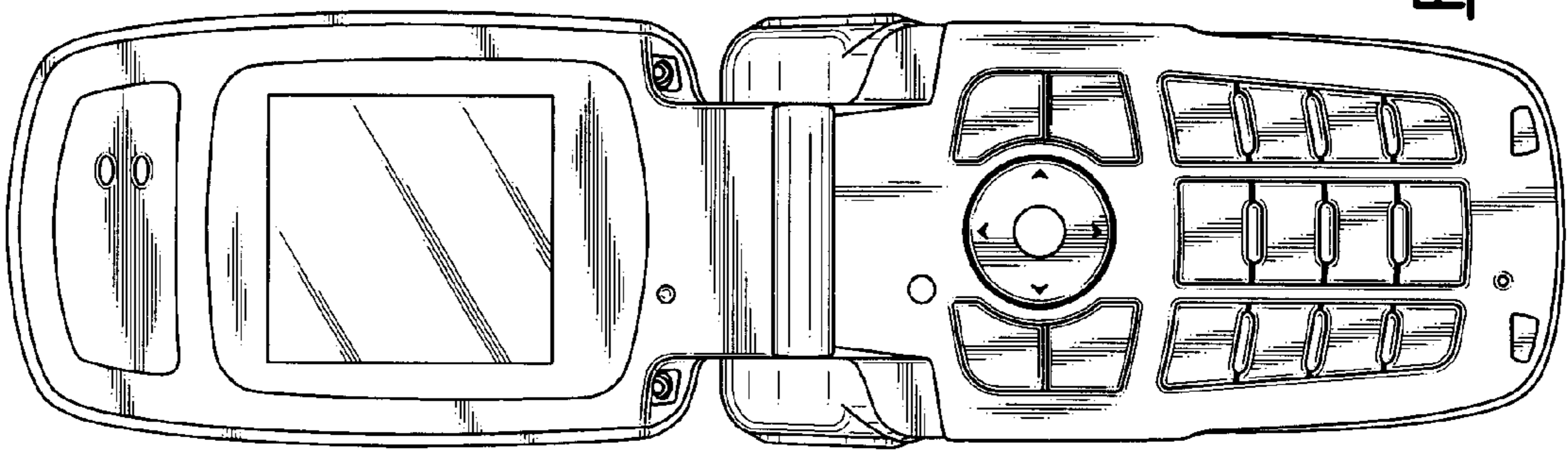


FIG. 8

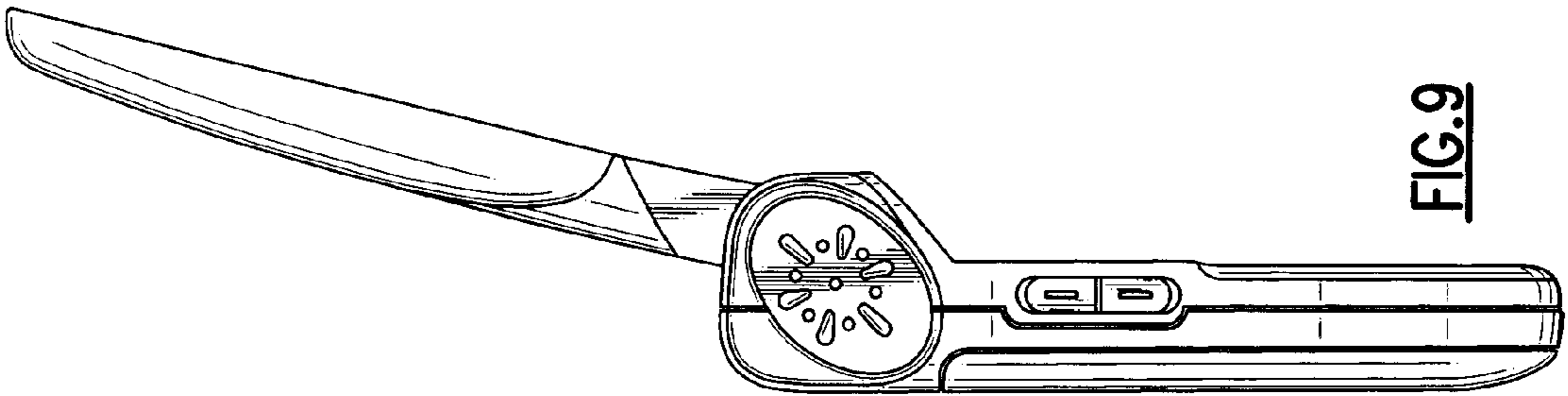


FIG. 9