



US00D536684S

(12) **United States Design Patent**  
**Kim et al.**

(10) **Patent No.:** **US D536,684 S**

(45) **Date of Patent:** **\*\* Feb. 13, 2007**

(54) **CELLULAR PHONE**

(75) Inventors: **Hyun-Seop Kim**, Gunpo-si (KR);  
**Chang-Hwan Hwang**, Goyang-si (KR);  
**Kee-Moon Lee**, Gyeongsangbuk-do (KR)

(73) Assignee: **Samsung Electronics Co., Ltd.** (KR)

(\*\*) Term: **14 Years**

(21) Appl. No.: **29/226,976**

(22) Filed: **Apr. 5, 2005**

(30) **Foreign Application Priority Data**

Dec. 8, 2004 (KR) ..... 30-2004-0037612

(51) **LOC (8) Cl.** ..... **14-03**

(52) **U.S. Cl.** ..... **D14/138**

(58) **Field of Classification Search** ..... D14/341-347,  
D14/138, 137, 147, 128; 455/575.1, 575.3,  
455/575.4, 90.3, 556.1, 556.2; 379/433.01-433.13;  
361/814

See application file for complete search history.

(56) **References Cited**

**U.S. PATENT DOCUMENTS**

5,461,672	A	*	10/1995	Enokido et al.	.....	379/433.02
D448,744	S	*	10/2001	Yu et al.	.....	D14/138
D483,022	S	*	12/2003	Lehtonen	.....	D14/138
D485,815	S	*	1/2004	Edoff	.....	D14/138
D488,789	S	*	4/2004	Lee	.....	D14/138
D500,992	S	*	1/2005	Shen et al.	.....	D14/138
D502,933	S	*	3/2005	Munstermann	.....	D14/138
D508,240	S	*	8/2005	Lee et al.	.....	D14/138
D508,688	S	*	8/2005	Lee et al.	.....	D14/138
D508,902	S	*	8/2005	Lee et al.	.....	D14/138
D510,924	S	*	10/2005	Lee et al.	.....	D14/138
6,963,756	B2	*	11/2005	Lubowicki et al.	.....	455/550.1
D515,441	S	*	2/2006	Shindo	.....	D10/65
D515,535	S	*	2/2006	Kim et al.	.....	D14/138
6,999,805	B2	*	2/2006	Gartrell et al.	.....	455/575.8
D517,038	S	*	3/2006	Lee et al.	.....	D14/138
D524,802	S	*	7/2006	Burns et al.	.....	D14/247

D526,636	S	*	8/2006	Kim et al.	.....	D14/138
D527,367	S	*	8/2006	Yun et al.	.....	D14/138
D528,092	S	*	9/2006	Lee et al.	.....	D14/138
2003/0068035	A1	*	4/2003	Pirila et al.	.....	379/447
2004/0097258	A1	*	5/2004	Lee et al.	.....	455/550.1
2004/0162118	A1	*	8/2004	Park et al.	.....	455/575.1
2005/0054397	A1	*	3/2005	Kim et al.	.....	455/575.4
2005/0245295	A1	*	11/2005	Lee et al.	.....	455/575.1
2005/0245297	A1	*	11/2005	Lee et al.	.....	455/575.4
2005/0277388	A1	*	12/2005	Kim et al.	.....	455/90.3
2006/0154700	A1	*	7/2006	Raskin	.....	455/575.1

**OTHER PUBLICATIONS**

“Samsung P860”, 1pp including 1pp of photos, announced 1st quarter 2005, [online], <URL: <http://www.gsmarena.com>> [retrieved on Sep. 14, 2006]. Retrieved from Internet, <URL: [http://www.gsmarena.com/samsung\\_p860-1114.php](http://www.gsmarena.com/samsung_p860-1114.php)>.\*

\* cited by examiner

*Primary Examiner*—Jeffrey Asch

*Assistant Examiner*—Bridget L. Eland

(74) *Attorney, Agent, or Firm*—Cantor Colburn LLP

(57) **CLAIM**

We claim, the ornamental design for a cellular phone, as shown and described.

**DESCRIPTION**

FIG. 1 is a top and front perspective view of a cellular phone, showing our new design;  
FIG. 2 is a front elevational view thereof;  
FIG. 3 is a rear elevational view thereof;  
FIG. 4 is a left side elevational view thereof;  
FIG. 5 is a right side elevational view thereof;  
FIG. 6 is a top plan view thereof;  
FIG. 7 is a bottom plan view thereof; and,  
FIG. 8 is a top and front perspective view of the cellular phone in an alternate position.  
The broken line showing of a string in FIG. 8 is included for illustrative purposes only and forms no part of the claimed design.

**1 Claim, 4 Drawing Sheets**

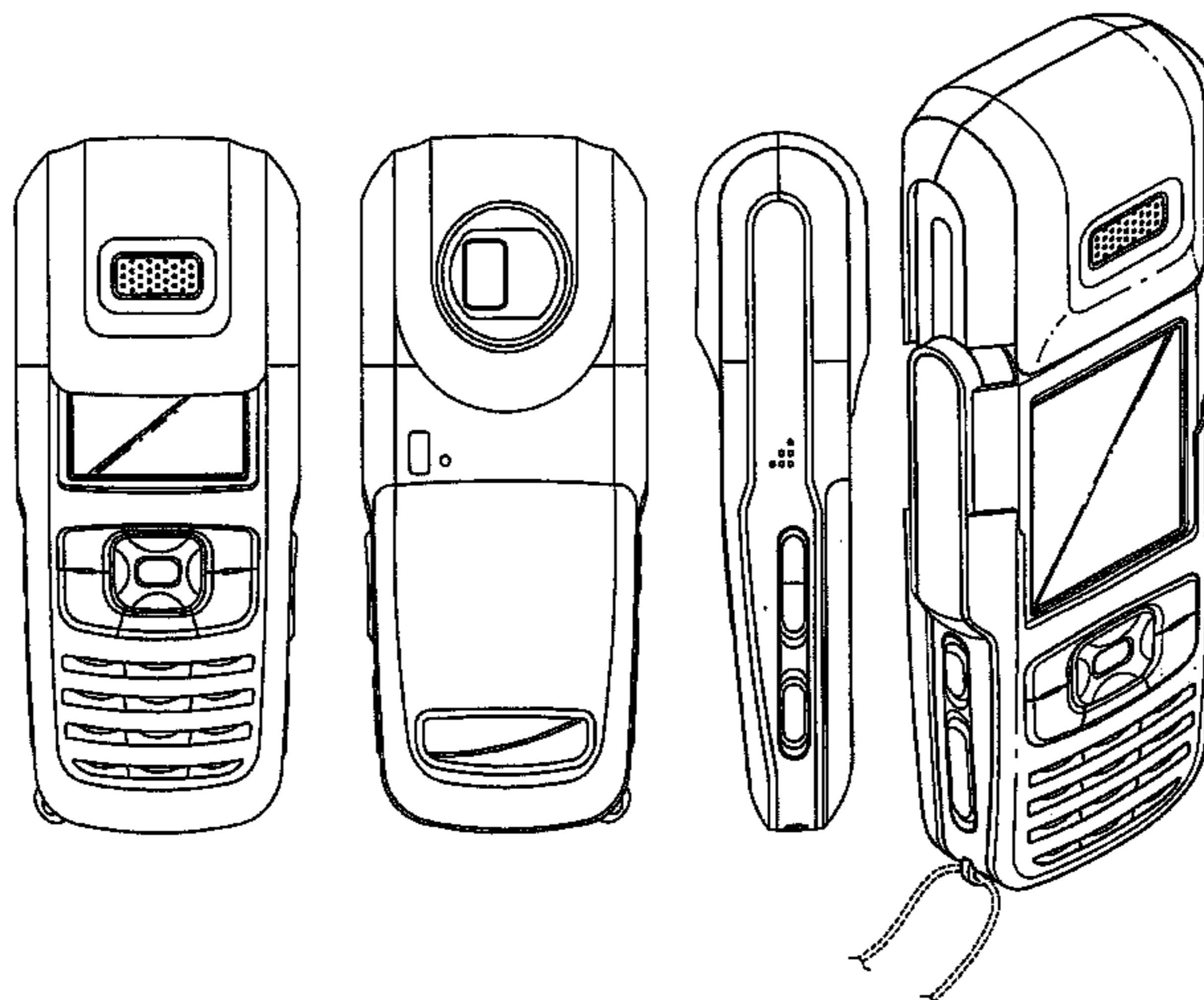


FIG. 1

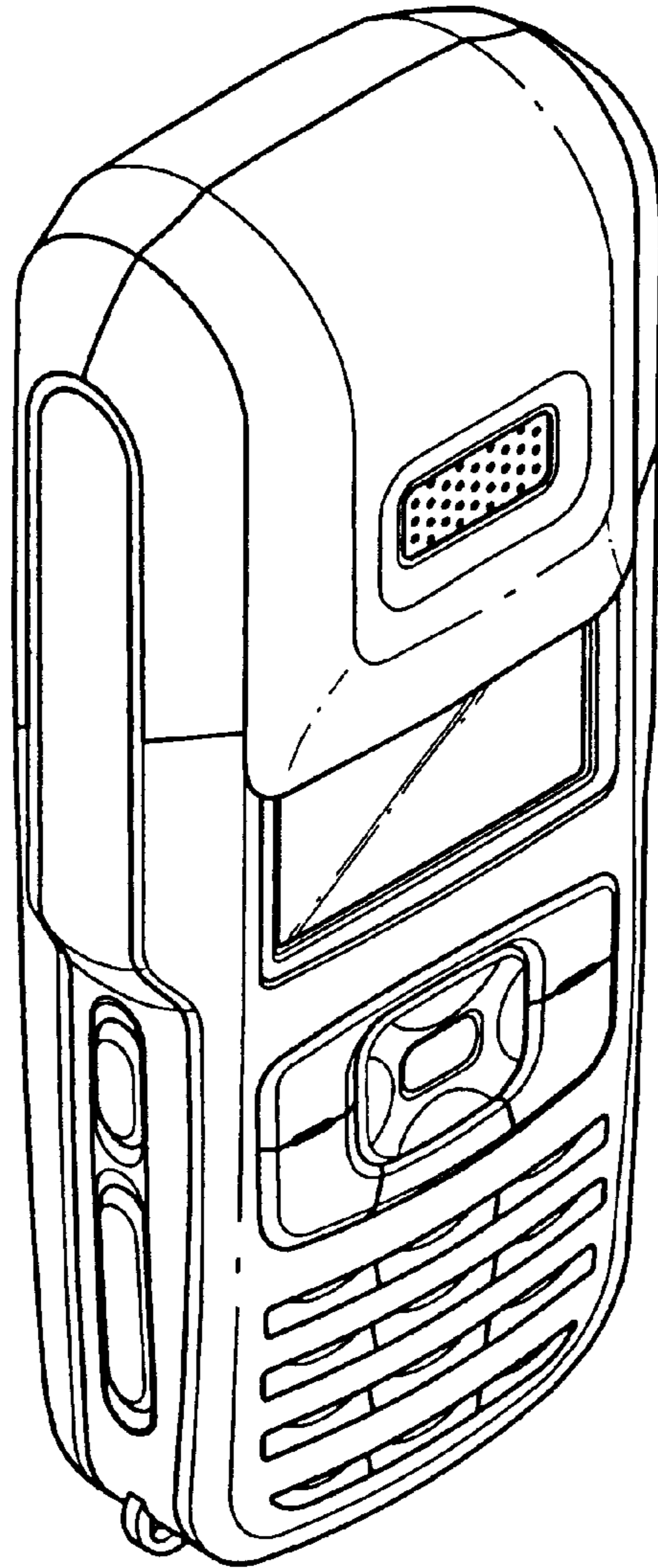


FIG. 2

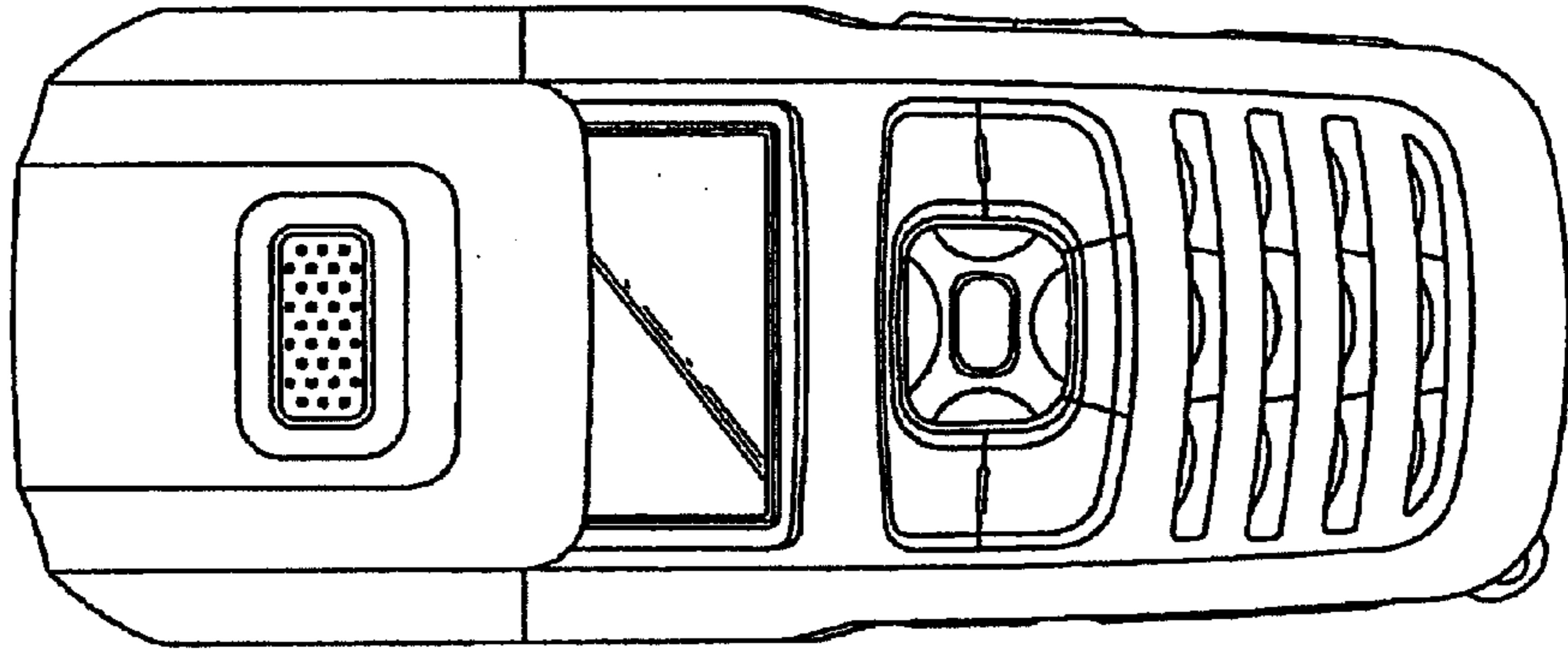


FIG. 3

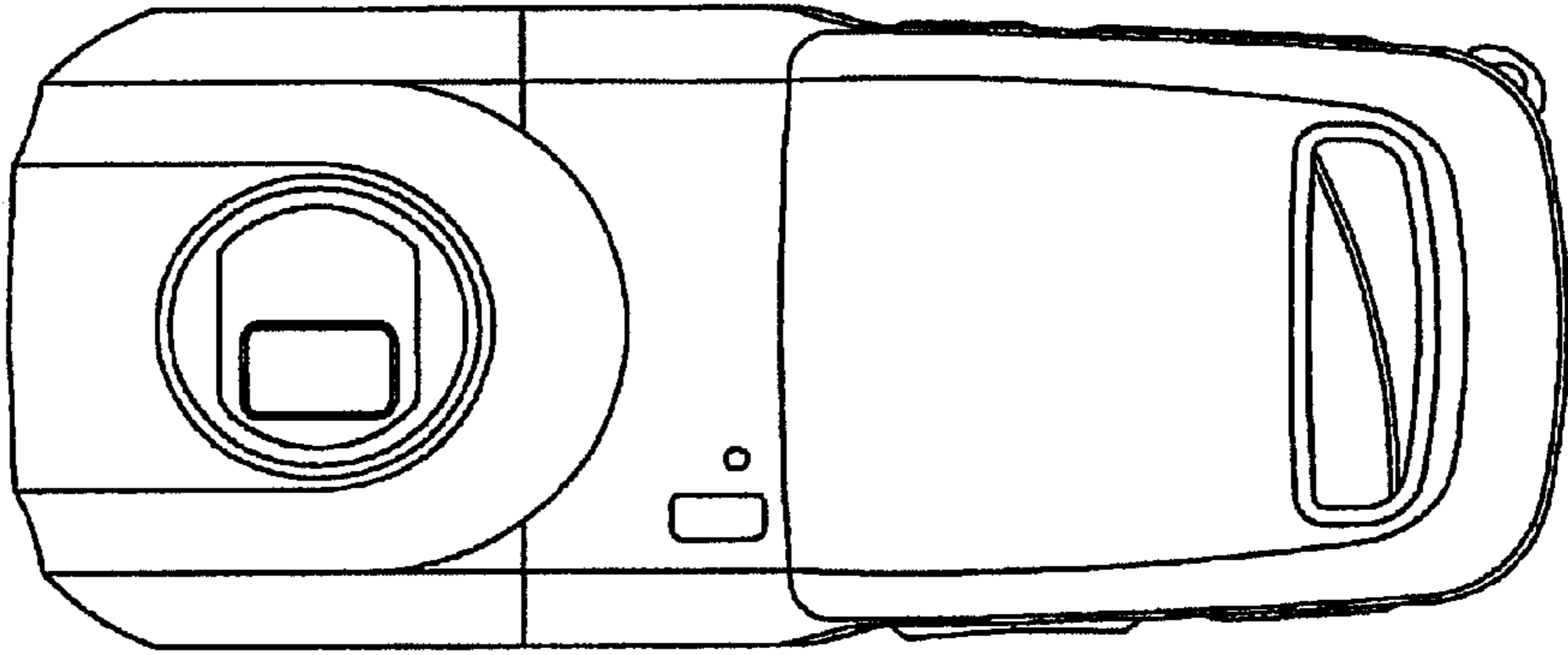


FIG. 4

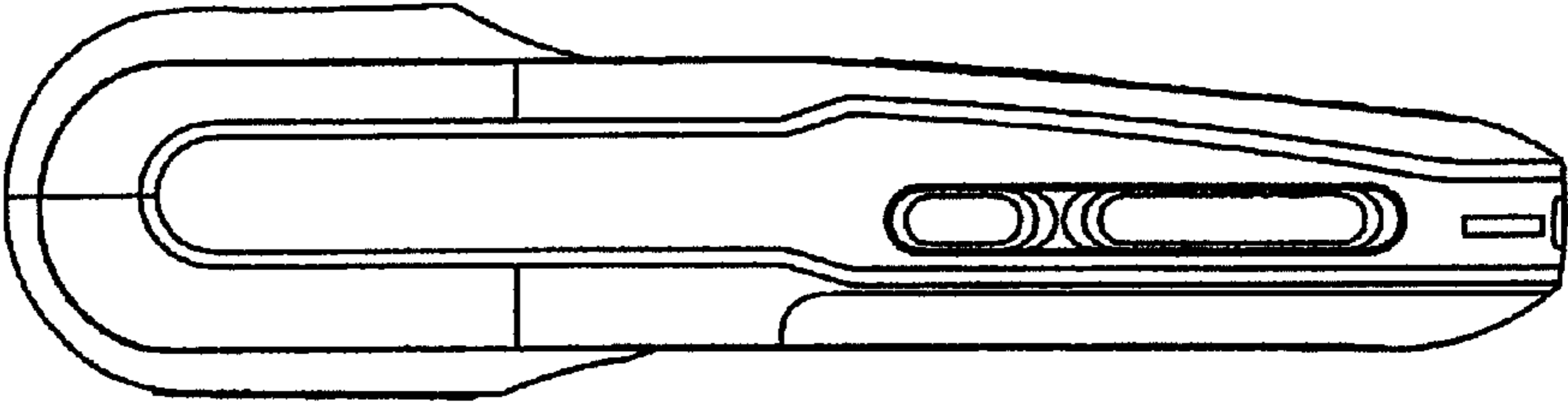


FIG. 5

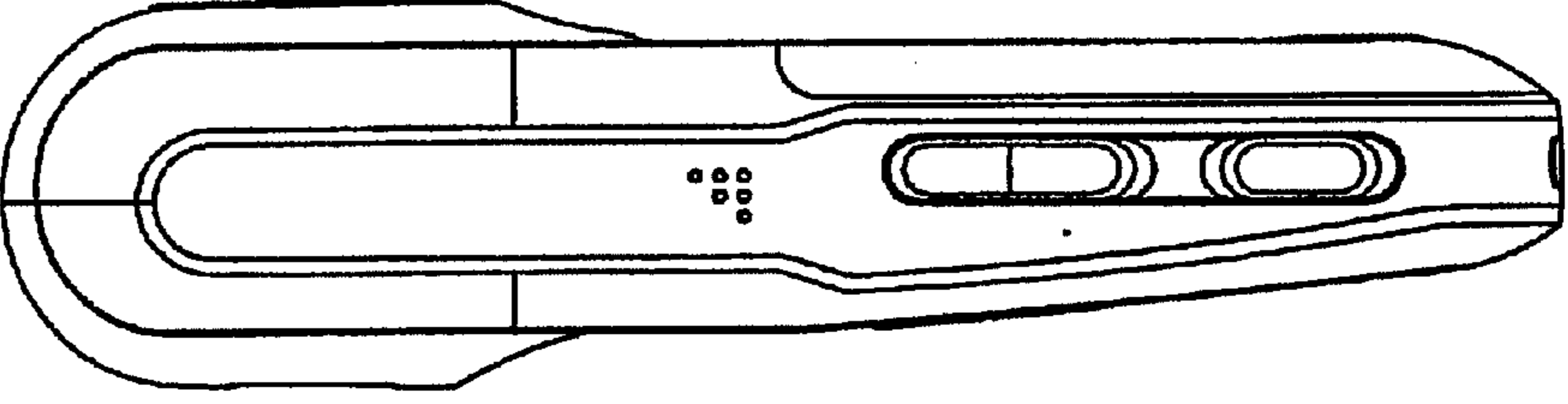


FIG. 6

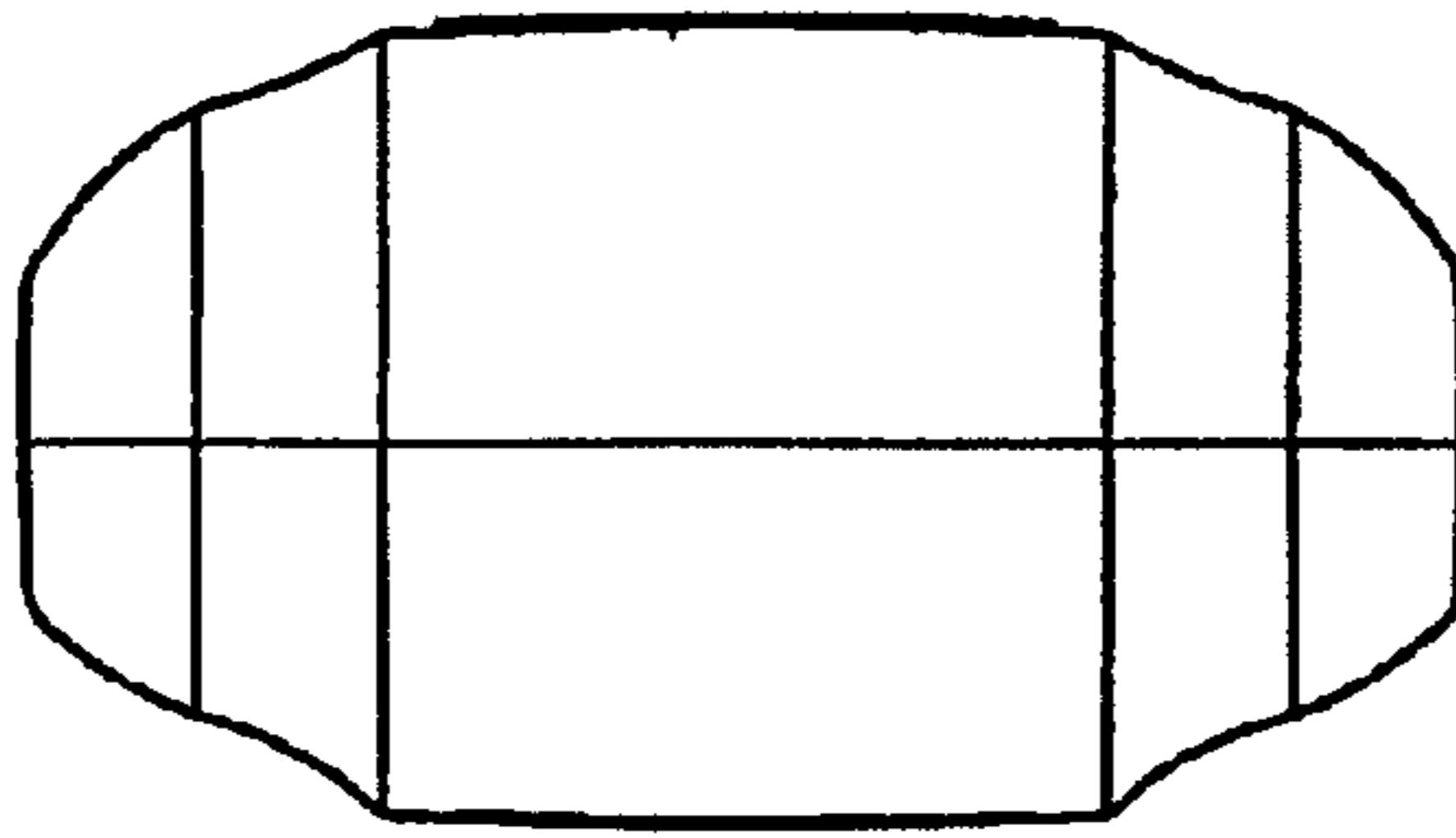


FIG. 7

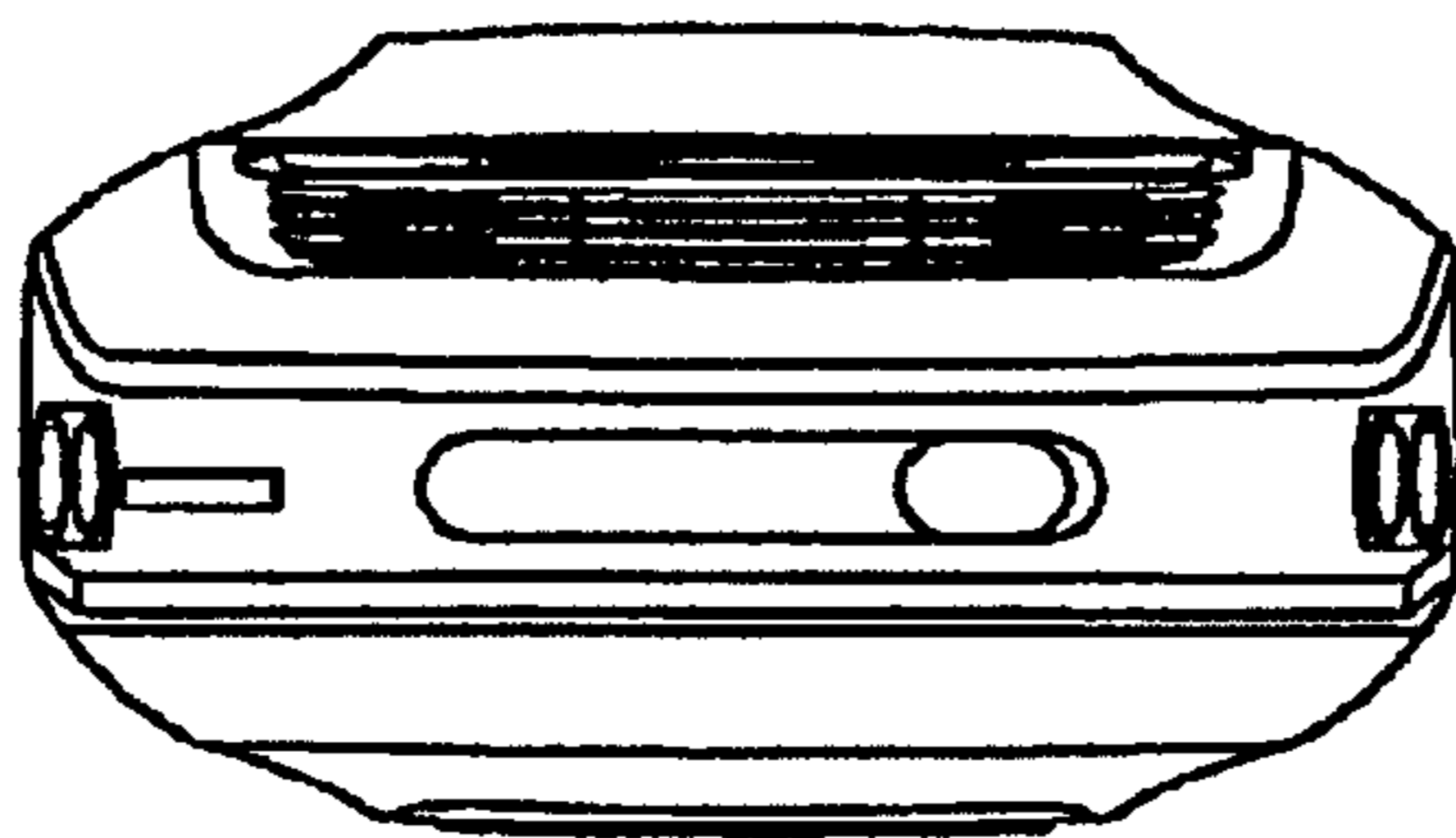


FIG. 8

