



US00D536678S

(12) **United States Design Patent**
Kita

(10) **Patent No.:** **US D536,678 S**

(45) **Date of Patent:** **** Feb. 13, 2007**

(54) **TELEVISION SET**

(75) Inventor: **Toshiyuki Kita**, Osaka-fu (JP)

(73) Assignee: **Sharp Kabushiki Kaisha**, Osaka (JP)

(**) Term: **14 Years**

(21) Appl. No.: **29/229,686**

(22) Filed: **May 11, 2005**

(30) **Foreign Application Priority Data**

Nov. 11, 2004 (JP) 2004-034355

(51) **LOC (8) Cl.** **14-03**

(52) **U.S. Cl.** **D14/126**

(58) **Field of Classification Search** D14/125-134,
D14/239, 371, 136, 374-377; 312/7.2; 348/836,
348/838, 180, 184, 325, 739; 341/12; 248/917-924,
248/465; 345/104, 133, 156, 168, 87, 173;
720/605, 669, 600, 655; 369/99, 197; 455/344-347
See application file for complete search history.

(56) **References Cited**

U.S. PATENT DOCUMENTS

- D371,551 S * 7/1996 Renk D14/126
- D427,169 S 6/2000 Saeki et al.
- D429,227 S 8/2000 Shimizu
- D431,537 S 10/2000 Saeki et al.
- D438,848 S 3/2001 Kita
- D439,224 S 3/2001 Kita
- D439,225 S 3/2001 Kita
- D453,747 S 2/2002 Kita
- D453,748 S 2/2002 Kita
- D456,370 S 4/2002 Kita
- D458,910 S 6/2002 Kita
- D462,353 S 9/2002 Kita
- D482,339 S * 11/2003 Yin et al. D14/134
- D492,269 S 6/2004 Kita

- D496,915 S 10/2004 Kita
- D497,351 S 10/2004 Kita
- D497,599 S 10/2004 Kita
- D499,076 S 11/2004 Kita
- D501,186 S 1/2005 Kita
- D501,654 S 2/2005 Kita
- D502,451 S 3/2005 Kita
- D502,931 S 3/2005 Kita
- D504,118 S * 4/2005 Esslinger et al. D14/126
- D505,123 S 5/2005 Kita
- D505,403 S 5/2005 Kita

OTHER PUBLICATIONS

- U.S. Appl. No. 29/207,659, filed Jun. 2004, Kita.
- U.S. Appl. No. 29/207,660, filed Jun. 2004, Kita.
- U.S. Appl. No. 29/206,962, filed Jun. 2004, Kita.

* cited by examiner

Primary Examiner—Raphael Barkai
(74) *Attorney, Agent, or Firm*—Nixon & Vanderhye, PC

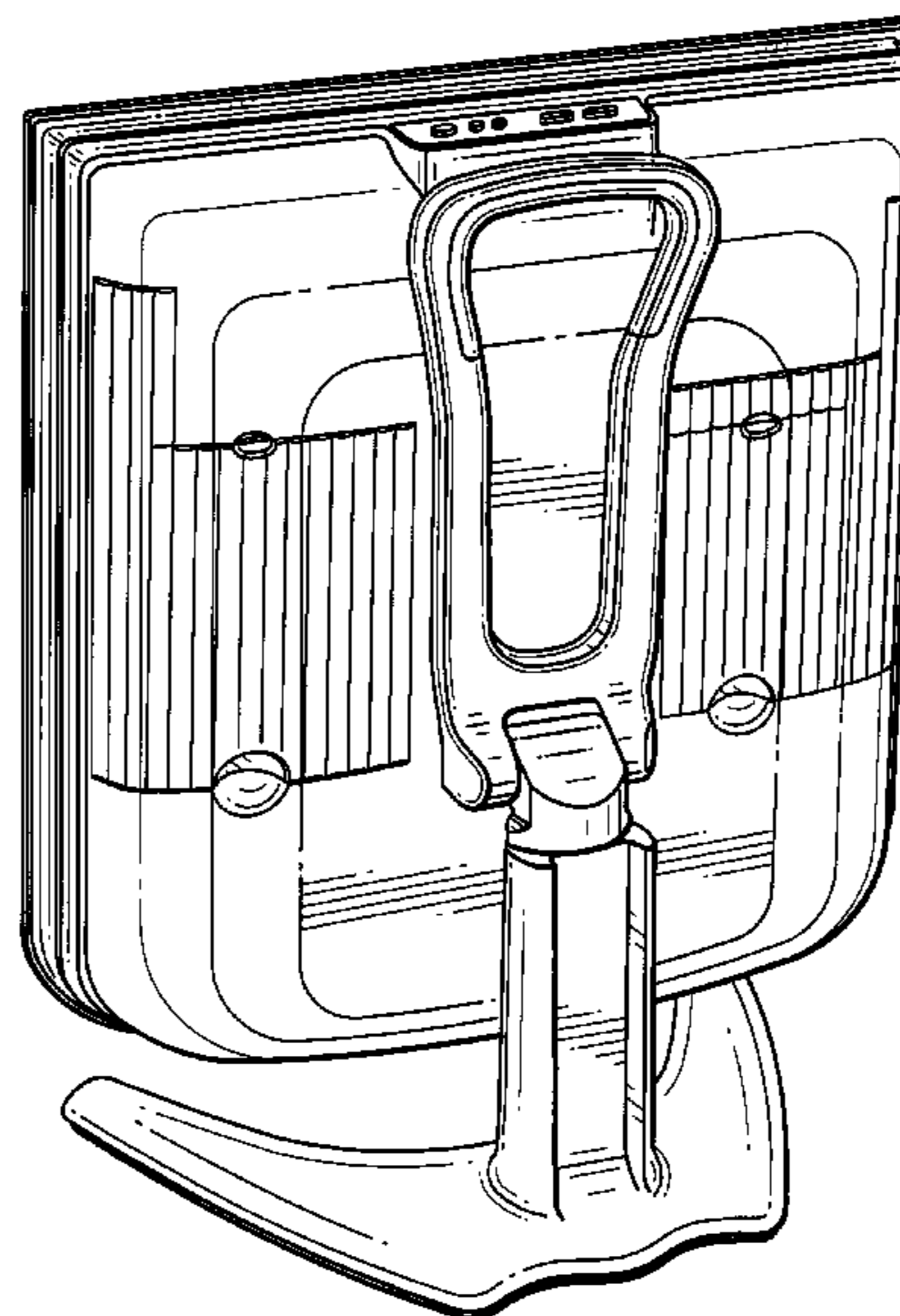
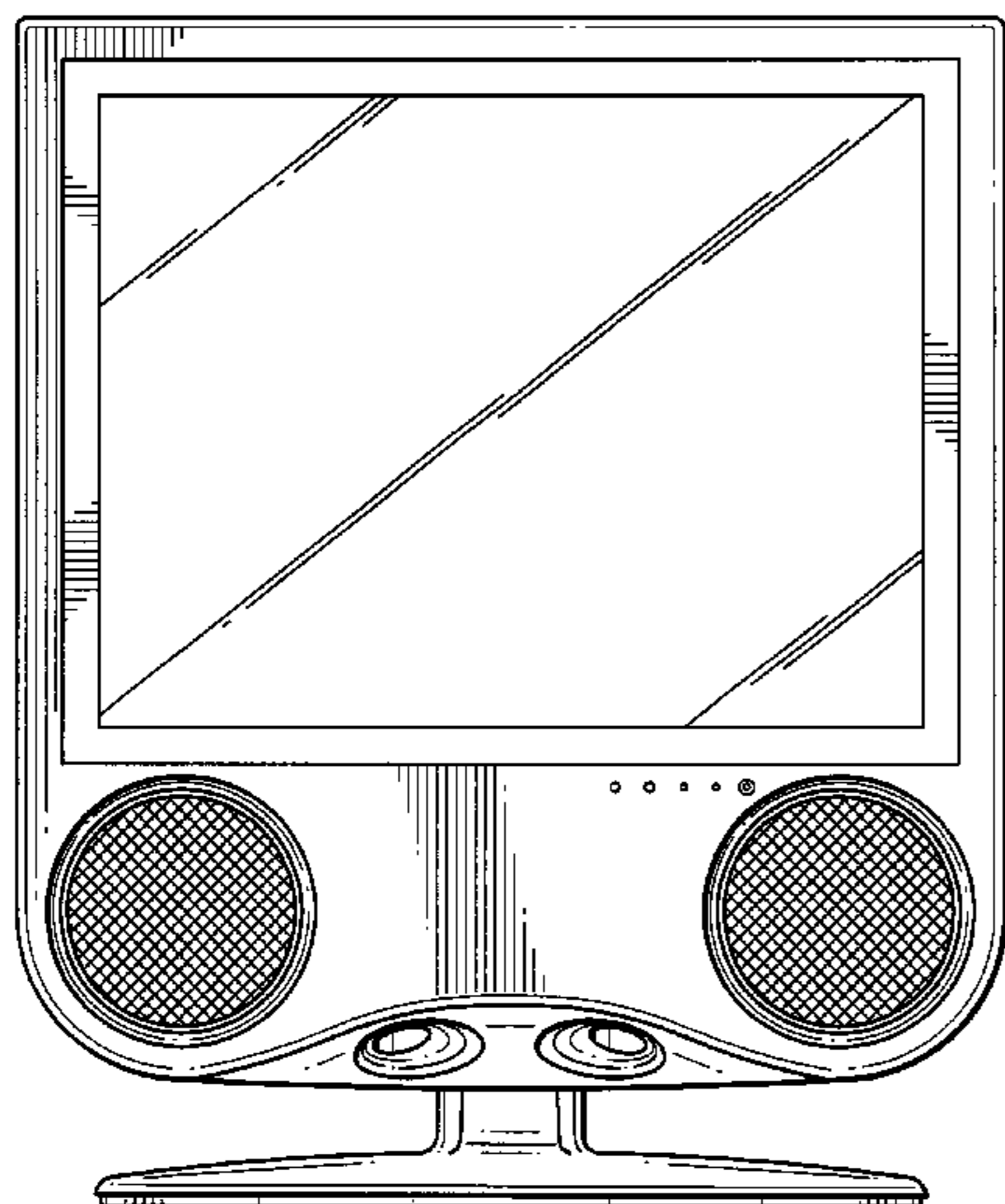
(57) **CLAIM**

The ornamental design for a “television set,” as shown and described.

DESCRIPTION

FIG. 1 is a top, front and right side perspective view of a television set according to my design;
FIG. 2 is a front elevational view thereof;
FIG. 3 is a rear elevational view thereof;
FIG. 4 is a right side elevational view thereof; and
FIG. 5 is a left side elevational view thereof
FIG. 6 is a top plan view thereof;
FIG. 7 is a bottom plan view thereof; and,
FIG. 8 is a top, right side and rear perspective view of the television set hereof.

1 Claim, 6 Drawing Sheets



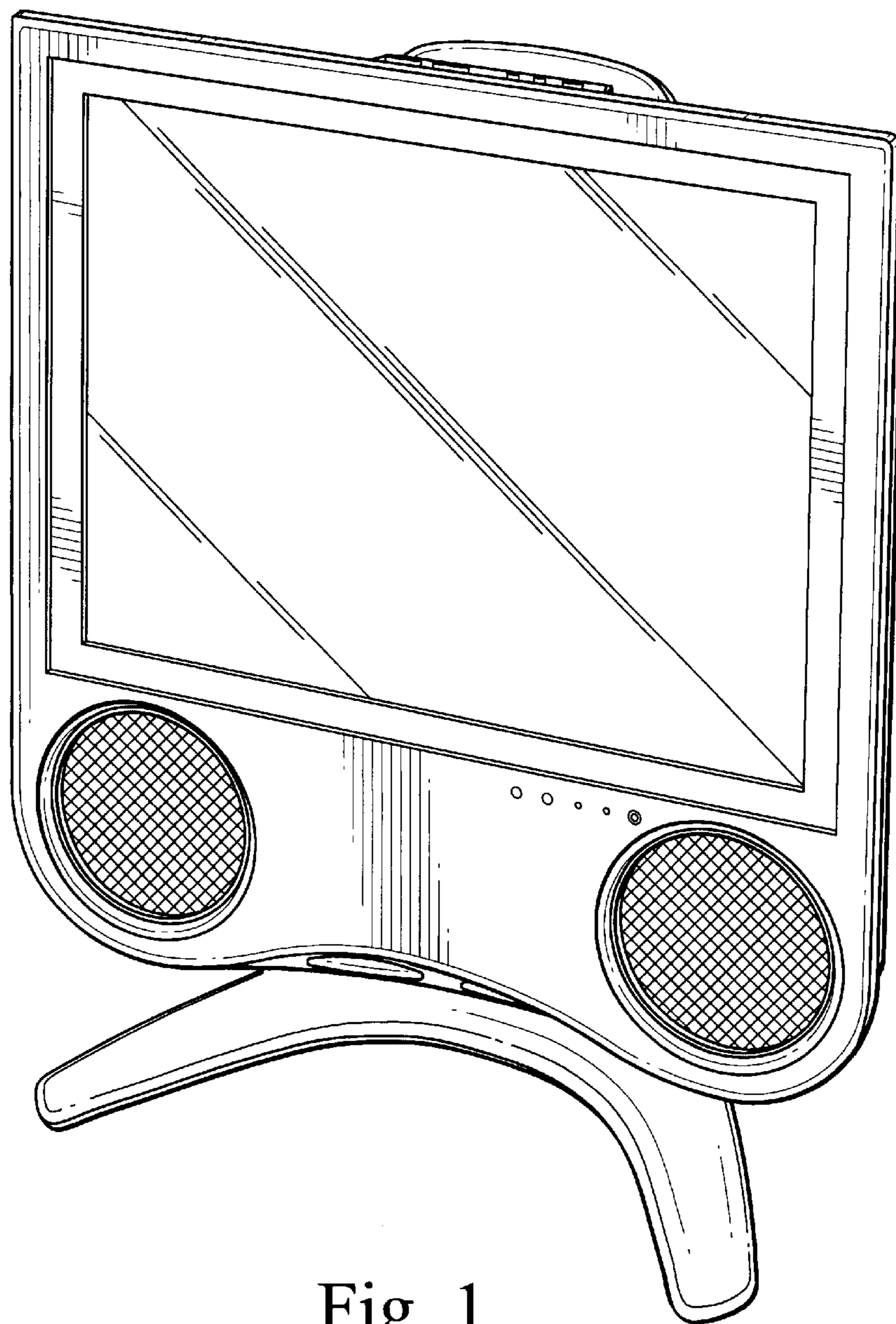


Fig. 1

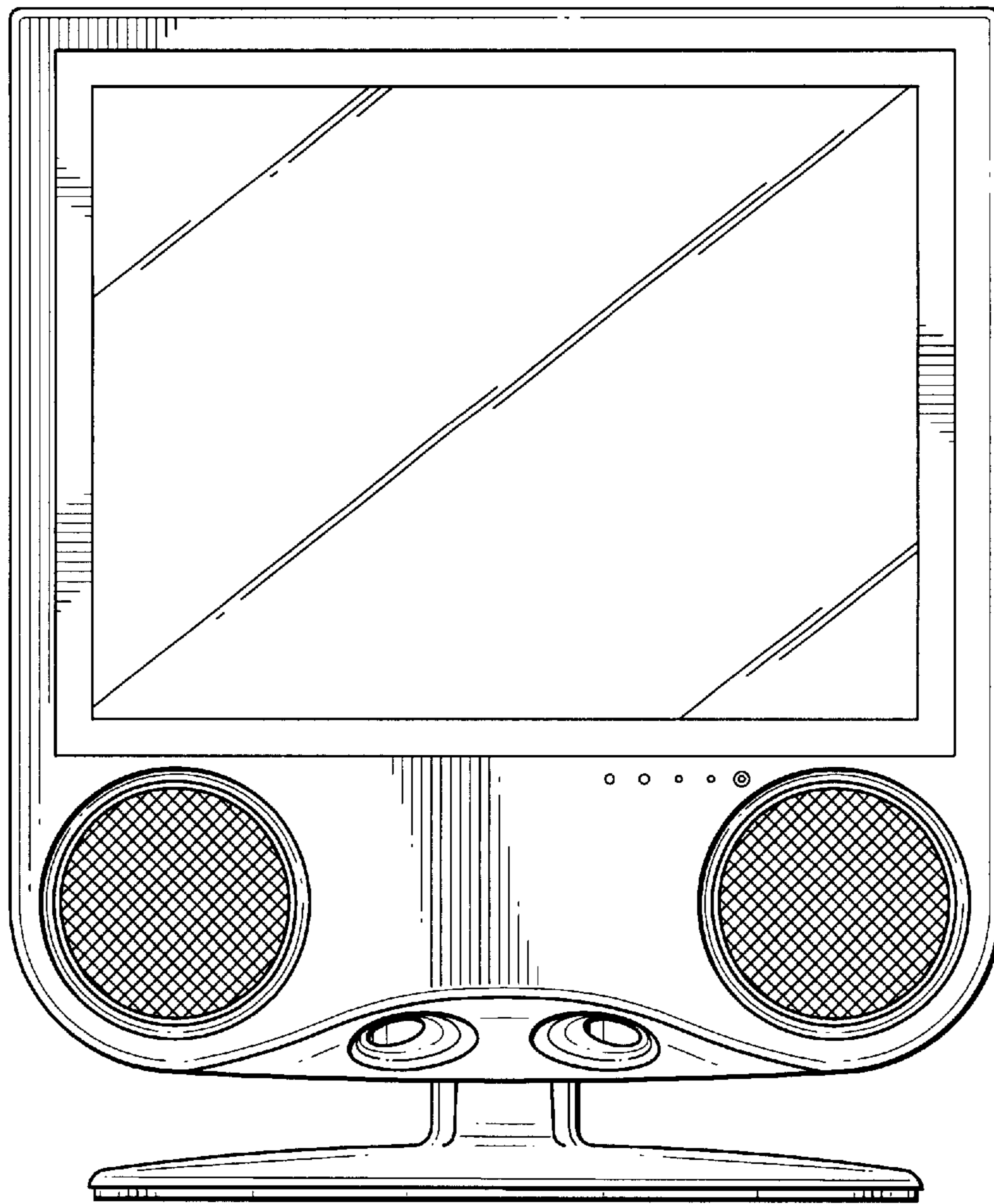


Fig. 2

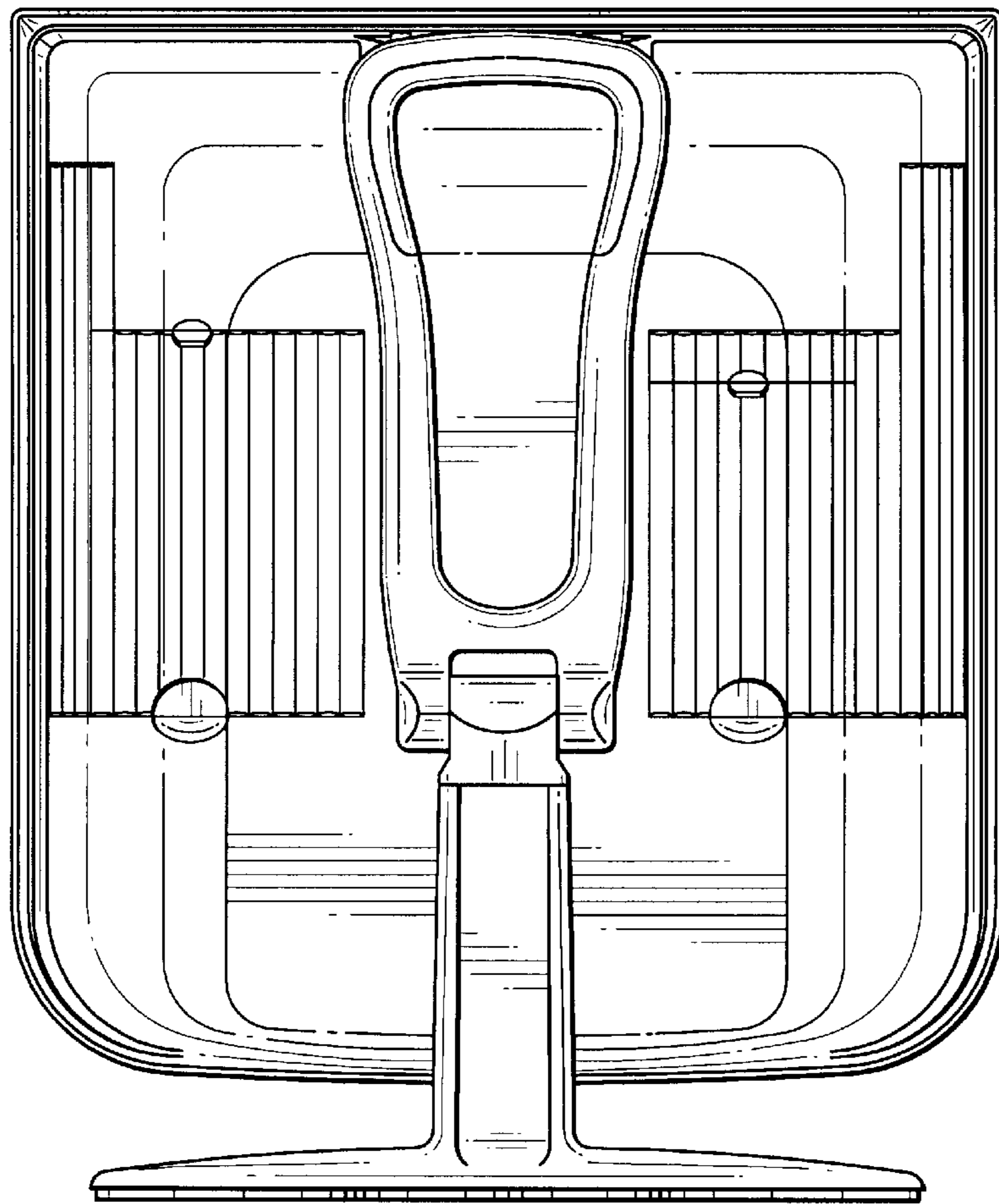


Fig. 3

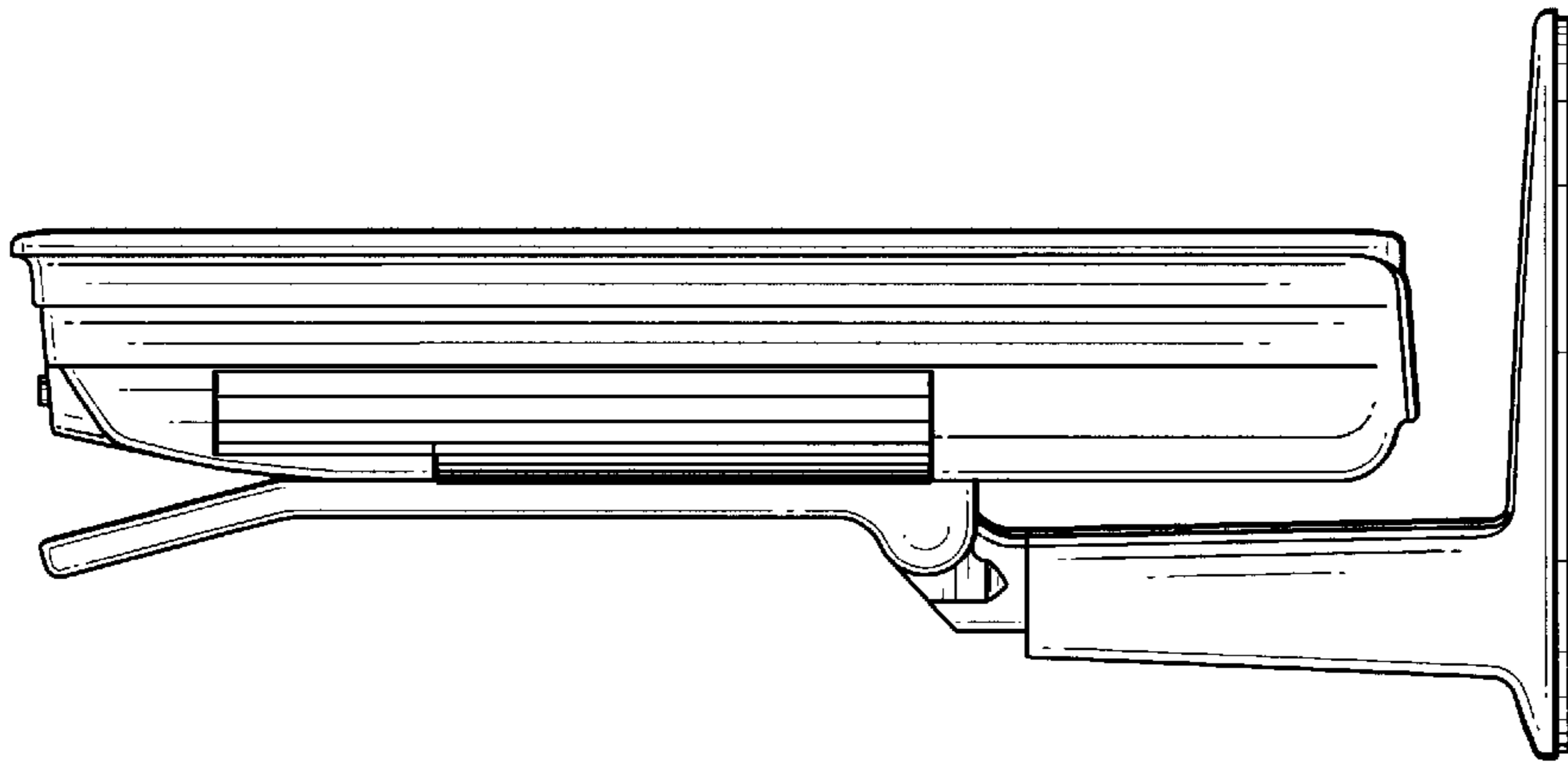


Fig. 5

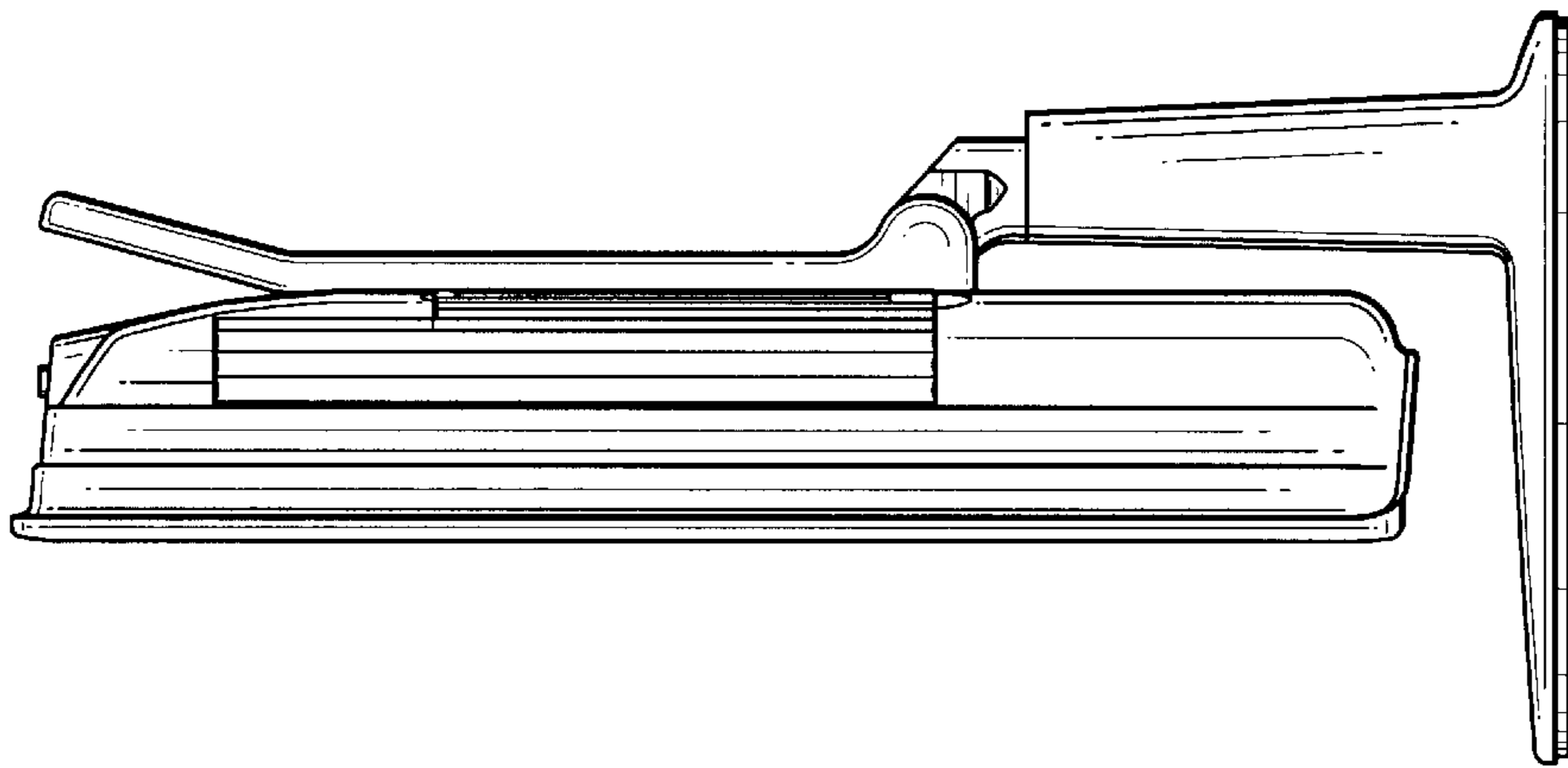


Fig. 4

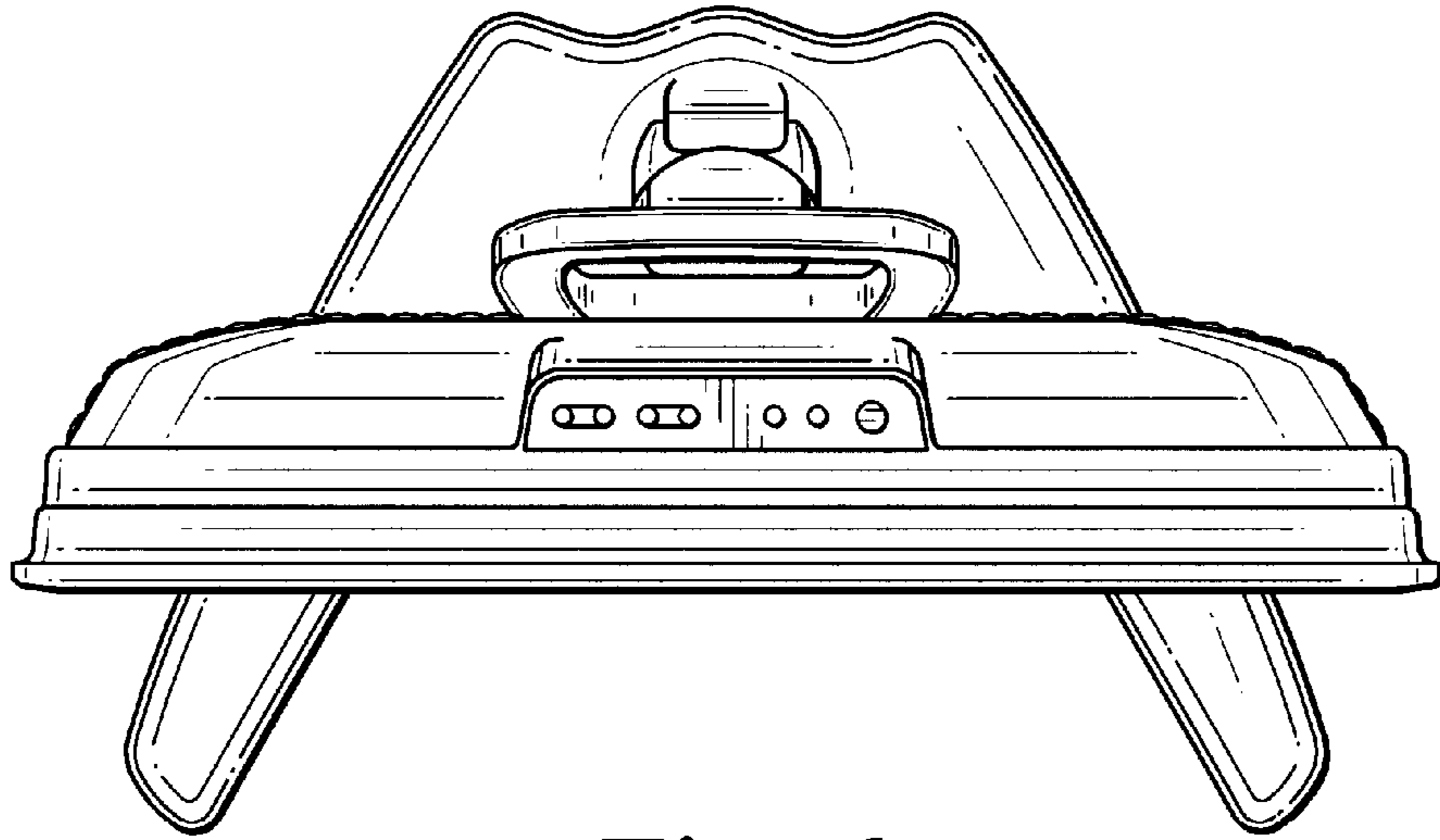


Fig. 6

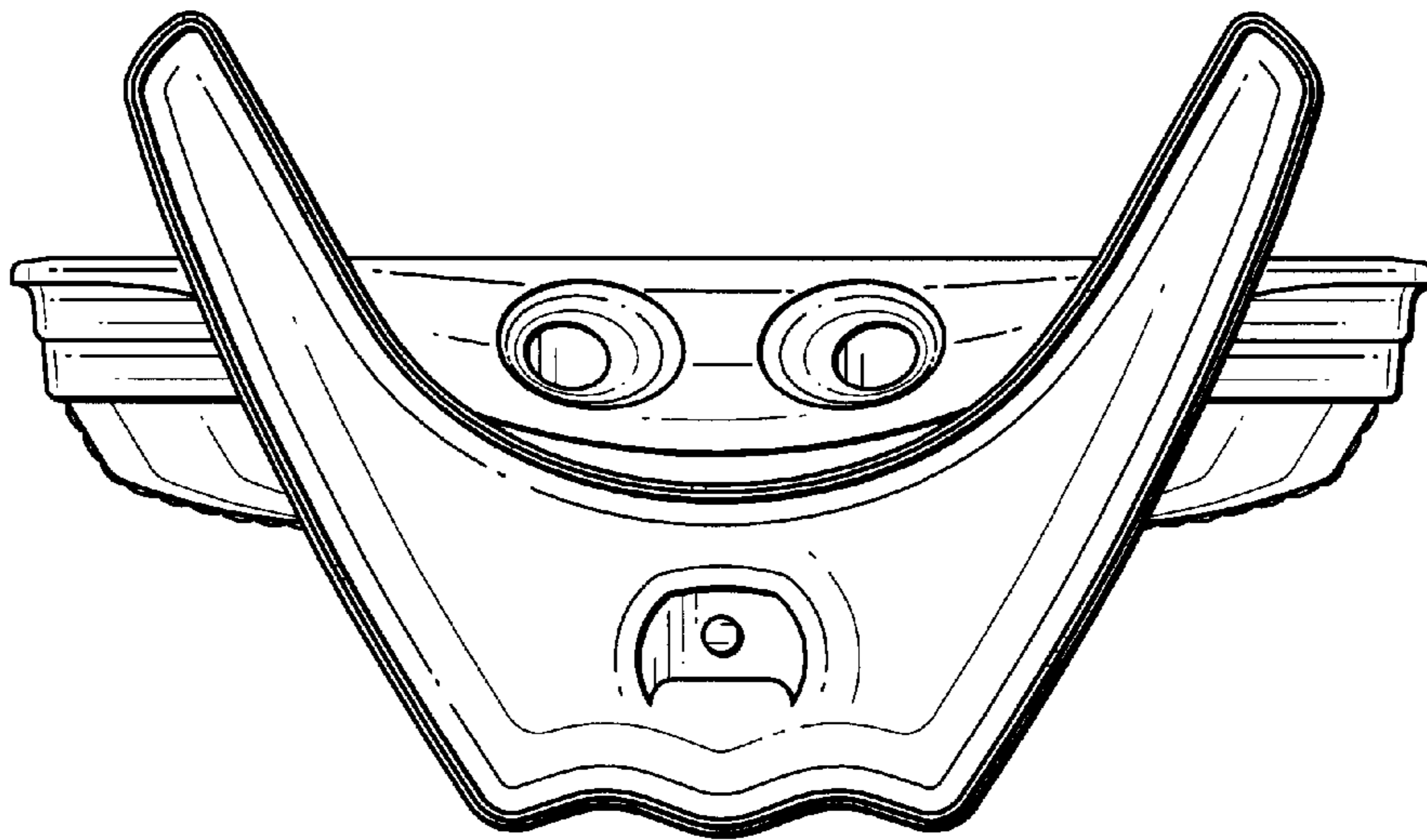


Fig. 7

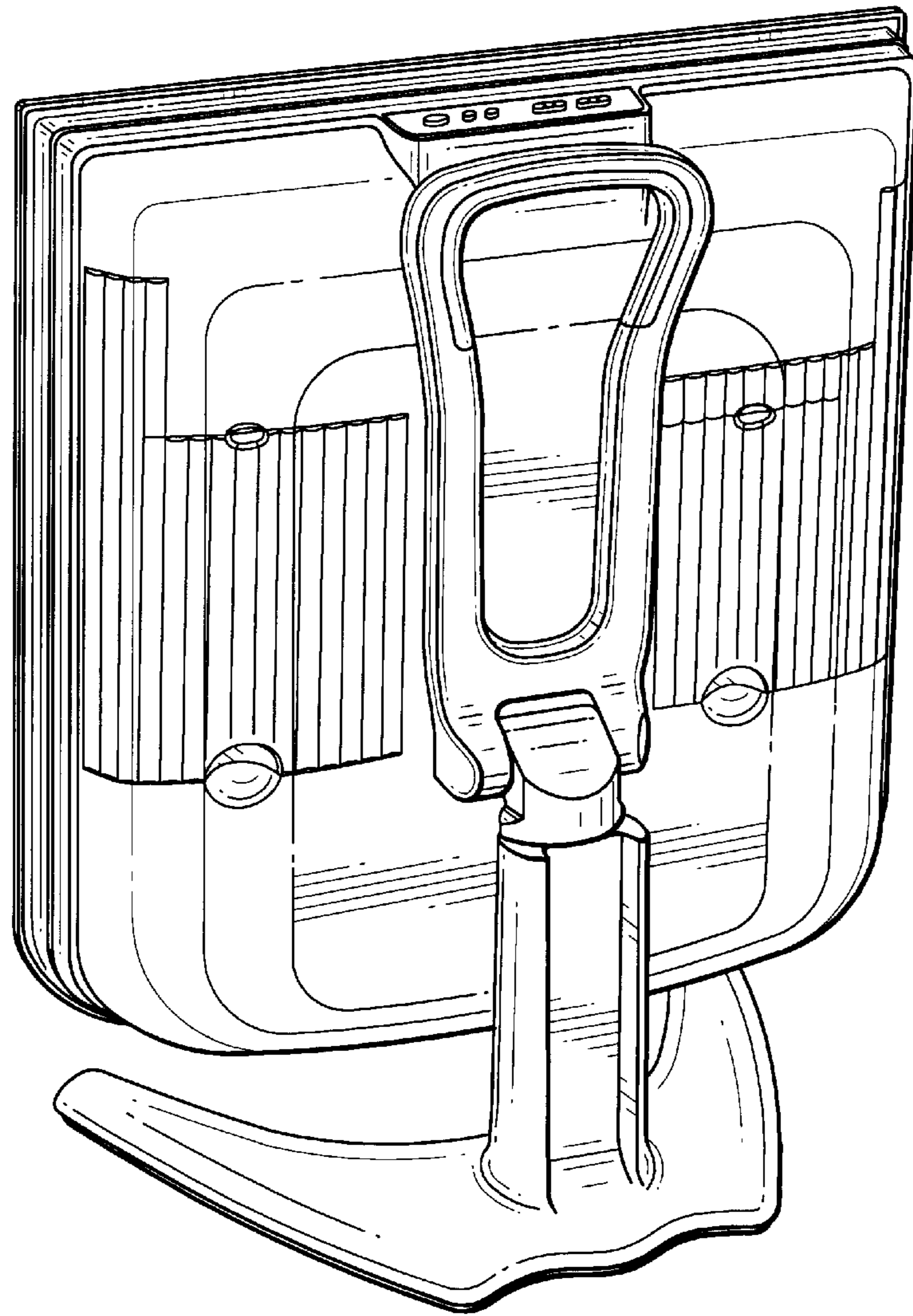


Fig. 8