



US00D536677S

(12) **United States Design Patent**
Kim et al.

(10) **Patent No.:** **US D536,677 S**

(45) **Date of Patent:** **** Feb. 13, 2007**

(54) **LCD TELEVISION**

(75) Inventors: **Ki-Soo Kim**, Seoul (KR); **Baek-Ki Kim**, Seoul (KR)

(73) Assignee: **Samsung Electronics Co., Ltd.**,
Kyunggi-do (KR)

(**) Term: **14 Years**

(21) Appl. No.: **29/228,024**

(22) Filed: **Apr. 19, 2005**

(51) **LOC (8) Cl.** **14-03**

(52) **U.S. Cl.** **D14/126**

(58) **Field of Classification Search** D14/125-134,
D14/239, 371, 136, 374-377; 312/7.2; 348/836,
348/838, 180, 184, 325, 739; 341/12; 248/917-924,
248/465; 345/104, 133, 156, 168, 87, 173;
720/605, 669, 600, 655; 369/99, 197; 455/344-347
See application file for complete search history.

(56) **References Cited**

U.S. PATENT DOCUMENTS

| | | | | | |
|-------------|---|---------|-----------------|-------|---------|
| D349,896 S | * | 8/1994 | Gale et al. | | D14/128 |
| D350,346 S | * | 9/1994 | Takemasa et al. | | D14/126 |
| D357,468 S | | 4/1995 | Rodd | | |
| D412,892 S | | 8/1999 | Lee | | |
| 6,015,120 A | | 1/2000 | Sweere et al. | | |
| D458,928 S | | 6/2002 | Duan | | |
| D477,320 S | | 7/2003 | Peng et al. | | |
| D486,456 S | * | 2/2004 | Fujiki | | D14/126 |
| D487,433 S | * | 3/2004 | Kanatani | | D14/126 |
| D489,370 S | | 5/2004 | Jobs et al. | | |
| D497,146 S | * | 10/2004 | Asanuma et al. | | D14/126 |
| D497,352 S | * | 10/2004 | Asanuma et al. | | D14/126 |
| D510,567 S | * | 10/2005 | Honda | | D14/126 |
| D511,152 S | * | 11/2005 | Lee | | D14/126 |
| D513,241 S | * | 12/2005 | Huang | | D14/126 |

OTHER PUBLICATIONS

U.S. Appl. No. 29/212,121, Applicant: Eui-Seok Kim, filed Aug. 26, 2004 entitled LCD Monitor.

U.S. Appl. No. 29/217,926, Applicant: Young-Jun Kim, et al., filed Nov. 23, 2004 entitled Projection Television.

U.S. Appl. No. 29/218,855, Applicant: Seung-Ho Lee, et al., filed Dec. 8, 2004 entitled LCD TV.

U.S. Appl. No. 29/218,856, Applicant: Seung-Ho Lee, et al., filed Dec. 8, 2004 entitled LCD TV.

U.S. Appl. No. 29/228,022, Applicant: Yun-Je Kang, et al., filed Apr. 19, 2005 entitled Projection Television.

U.S. Appl. No. 29/228,541, Applicant: Young-Sun Shin, et al., filed Apr. 25, 2005 entitled Television.

U.S. Appl. No. 29/228,026, Applicant: Yun-Je Kang, et al., filed Apr. 19, 2005 entitled Projection Television.

* cited by examiner

Primary Examiner—Raphael Barkai

(74) *Attorney, Agent, or Firm*—Flynn, Thiel, Boutell & Tanis, P.C.

(57) **CLAIM**

The ornamental design for a LCD television, as shown and described.

DESCRIPTION

FIG. 1. is a top front perspective view of a LCD television showing our new design.

FIG. 2. is a front elevational view thereof.

FIG. 3. is a rear elevational view thereof.

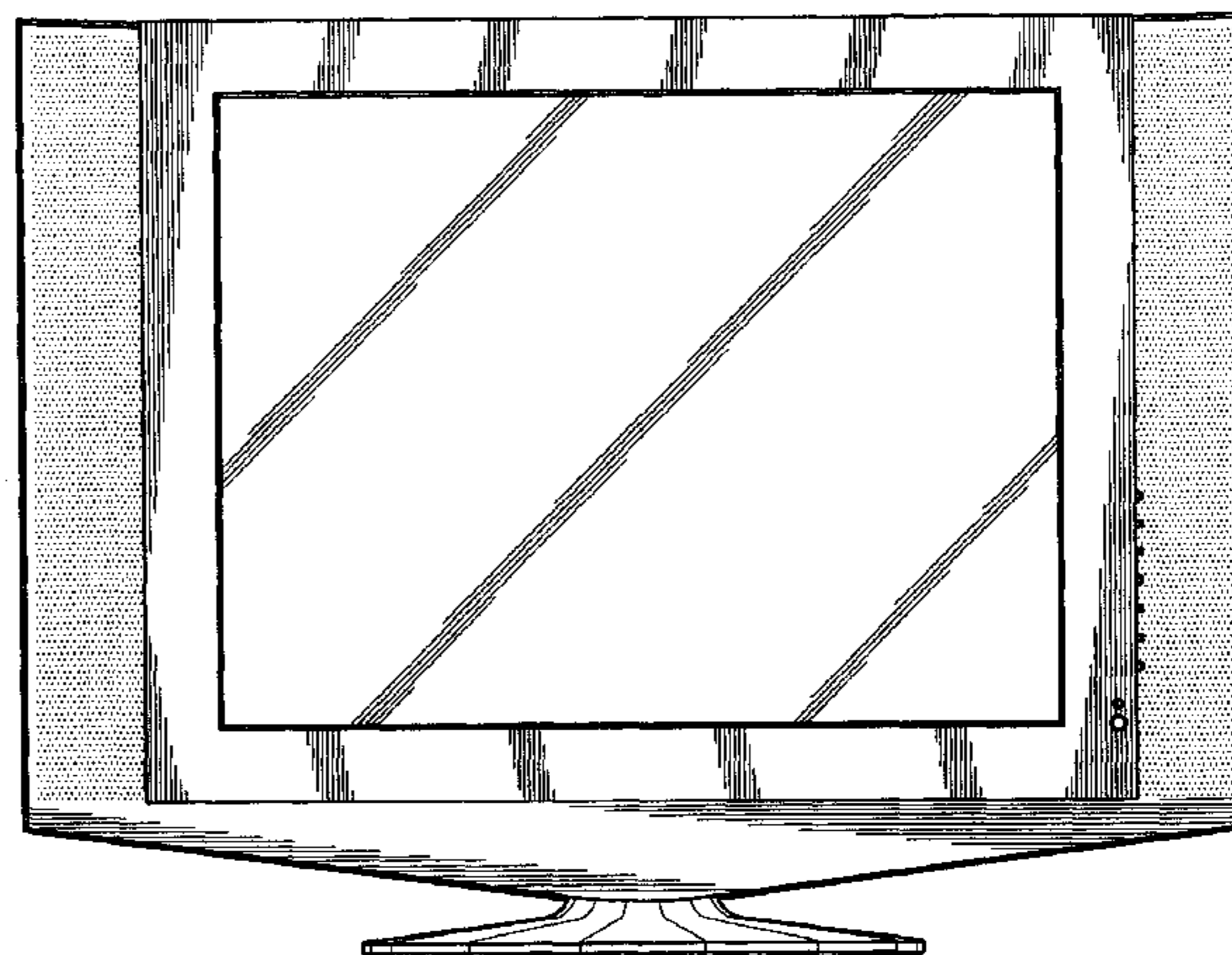
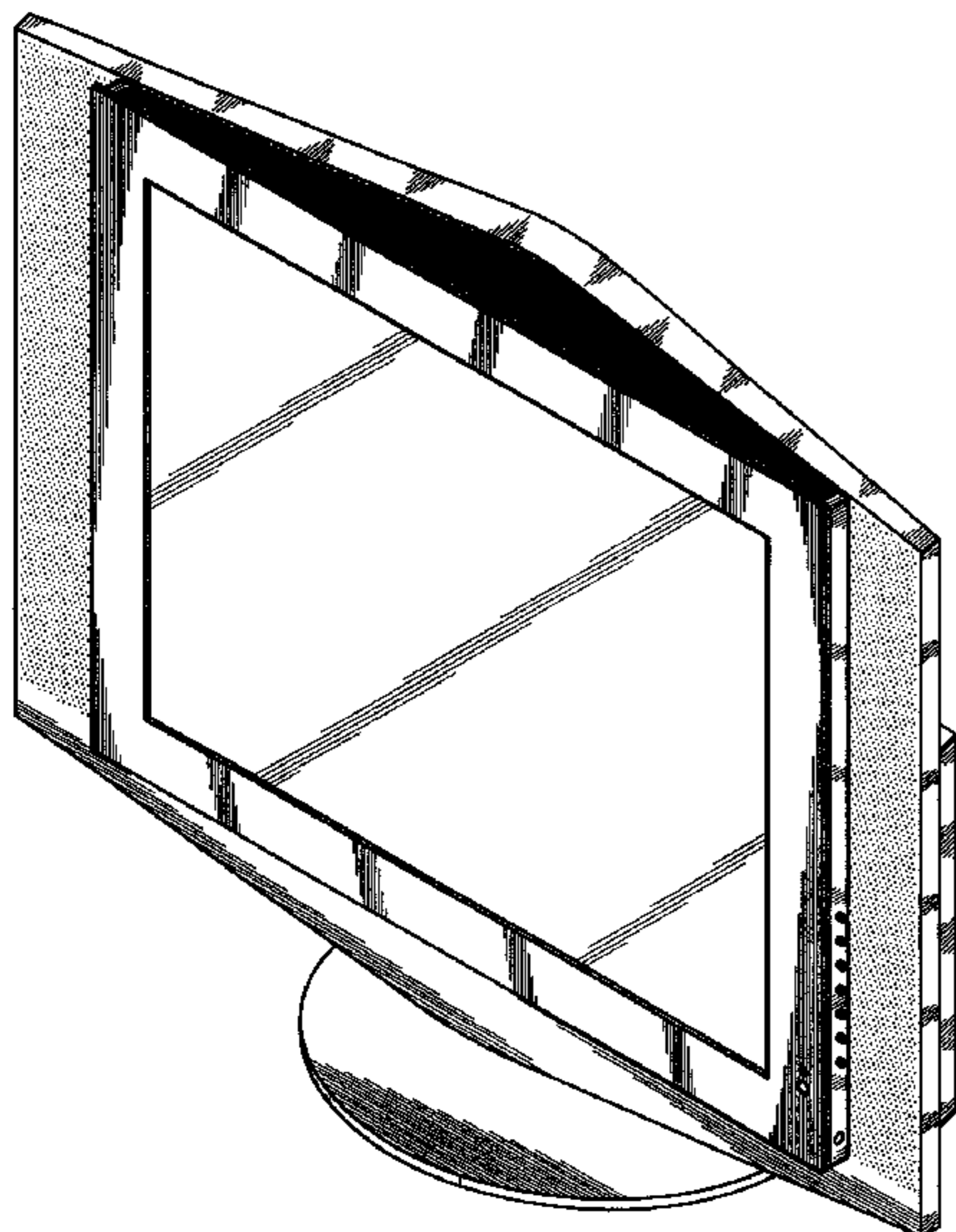
FIG. 4. is a left side elevational view thereof.

FIG. 5. is a right side elevational view thereof.

FIG. 6. is a top plan view thereof; and,

FIG. 7. is a bottom plan view thereof.

1 Claim, 6 Drawing Sheets



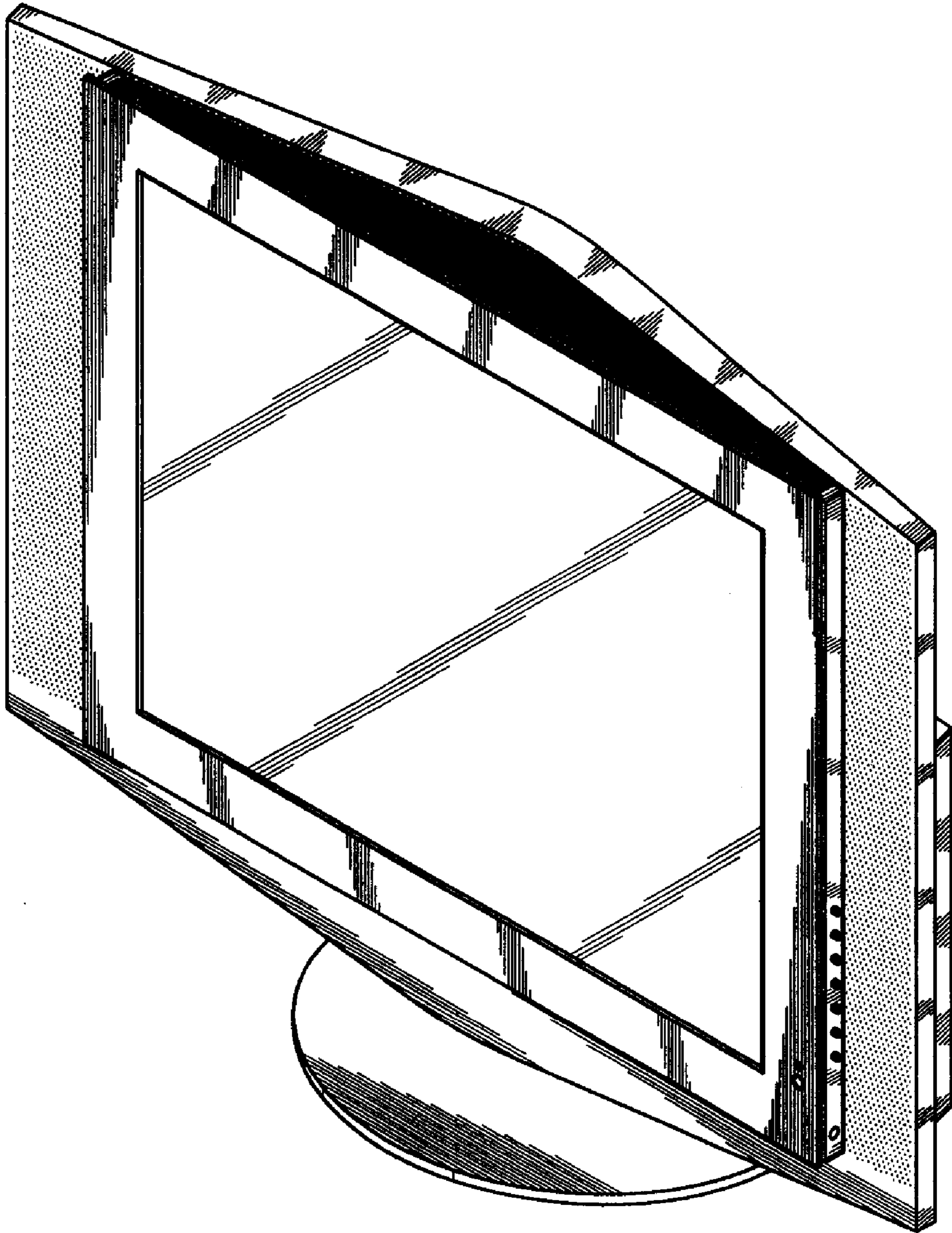


FIG. 1

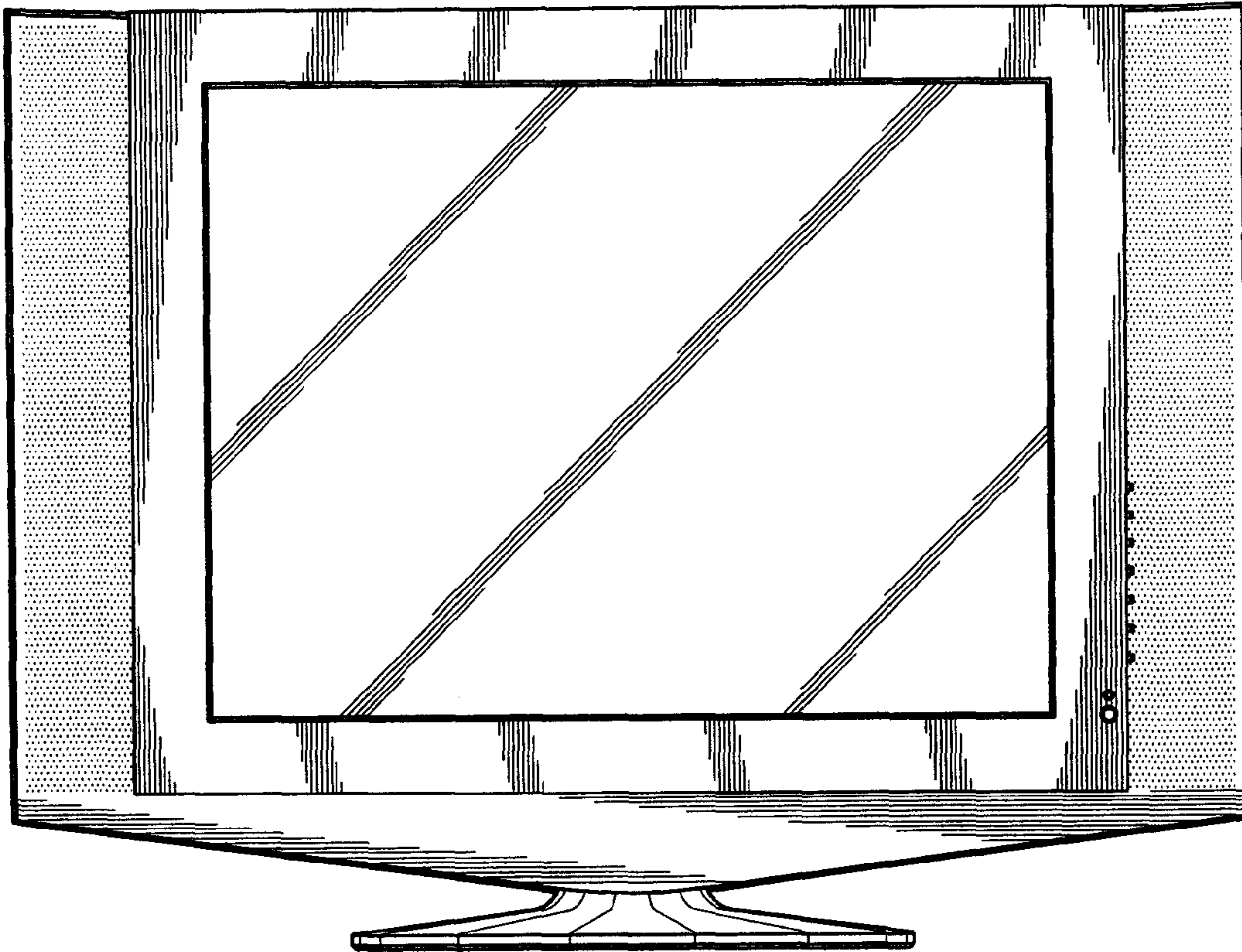


FIG. 2

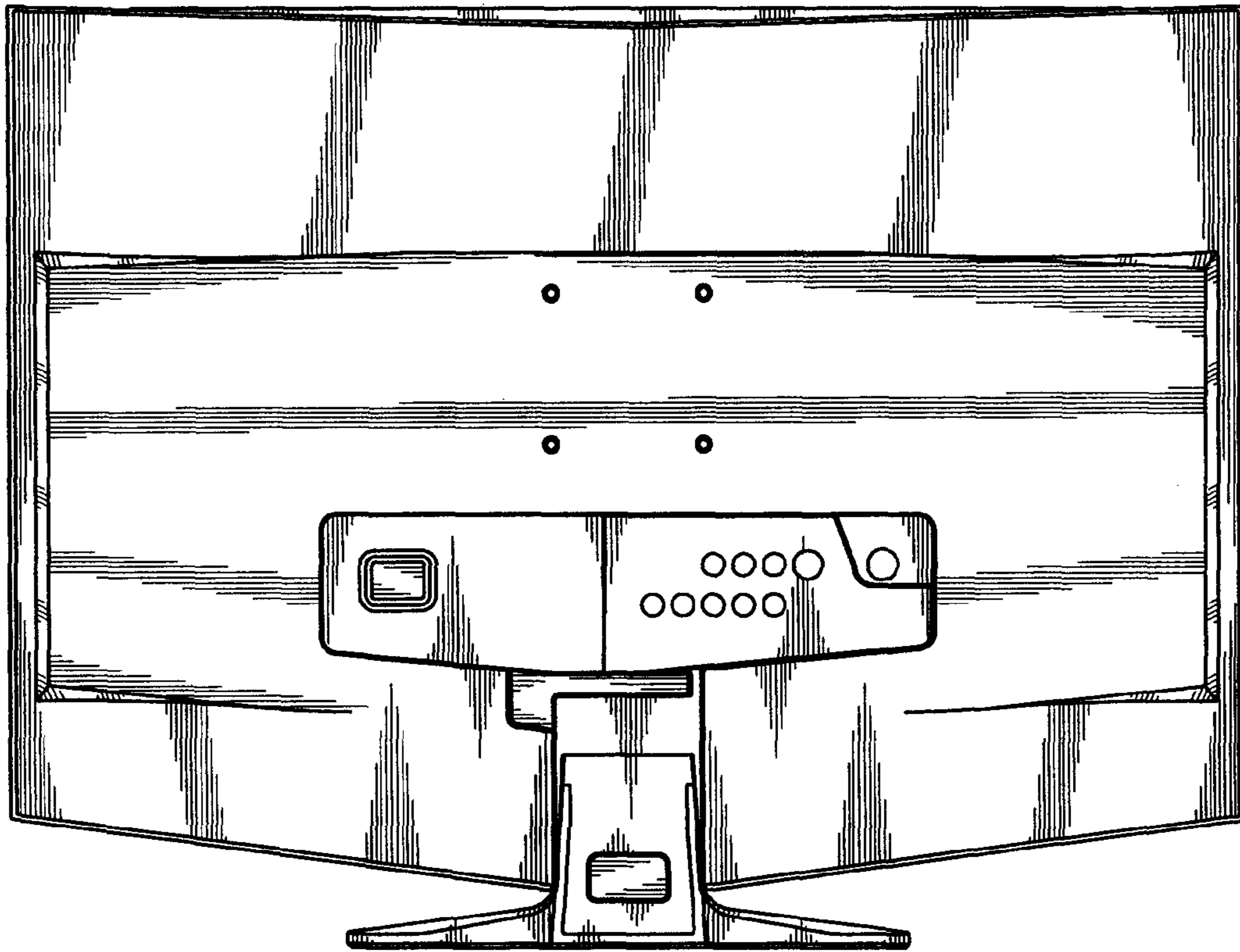


FIG. 3

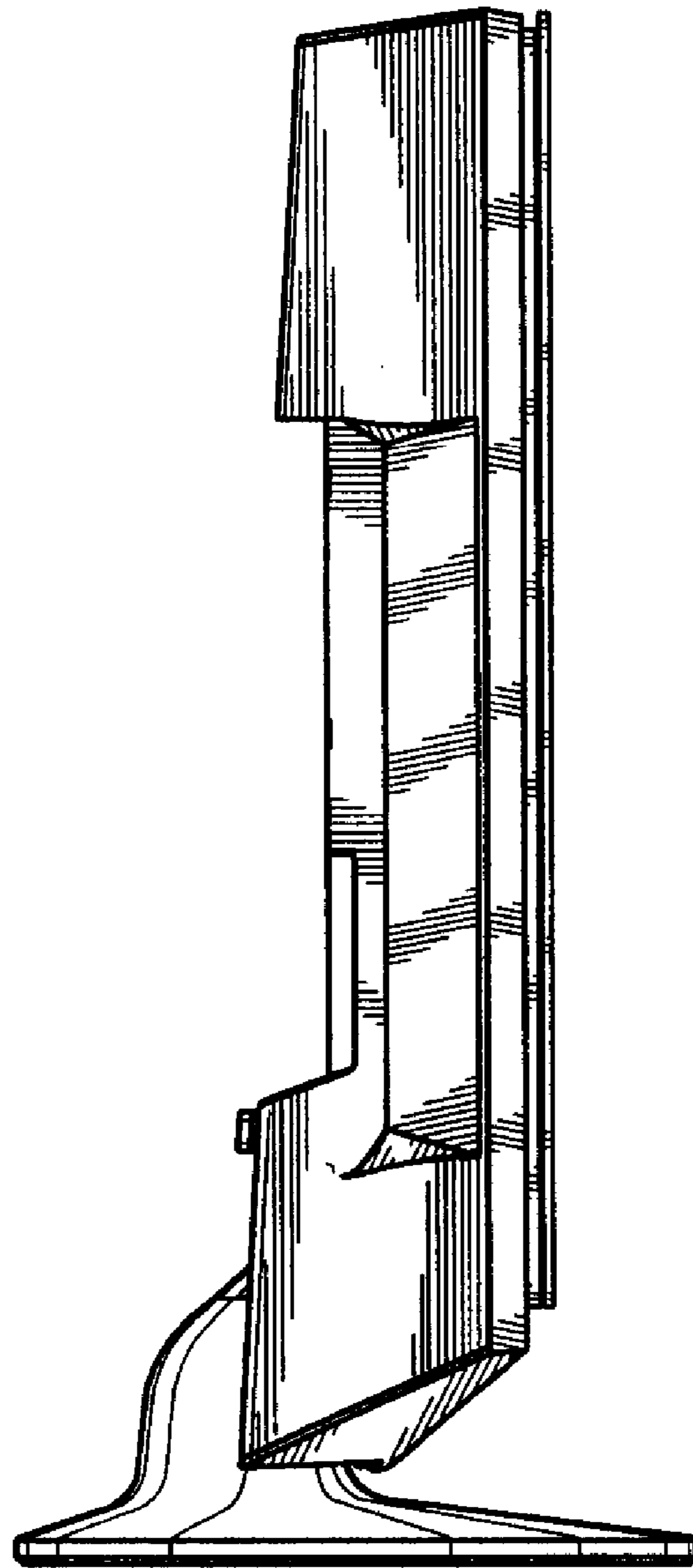


FIG. 4

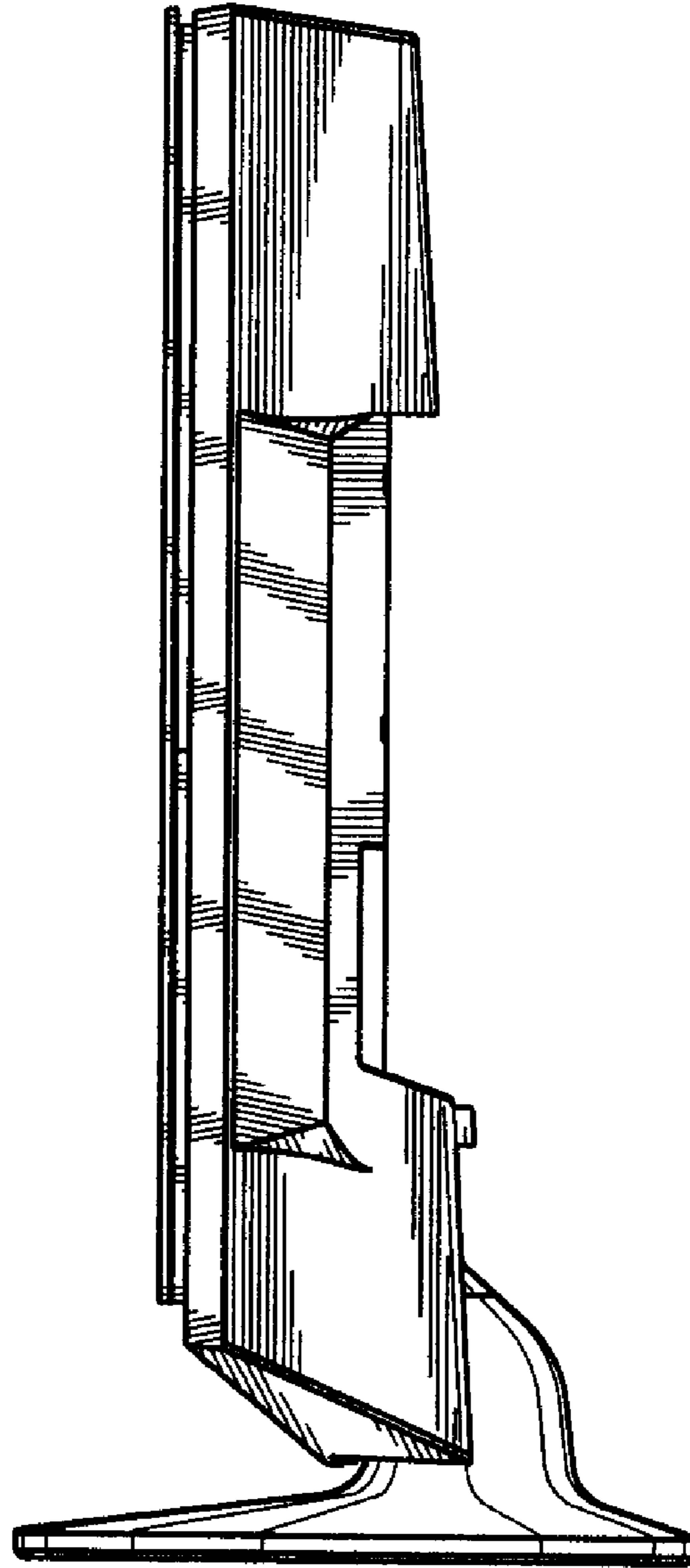


FIG. 5

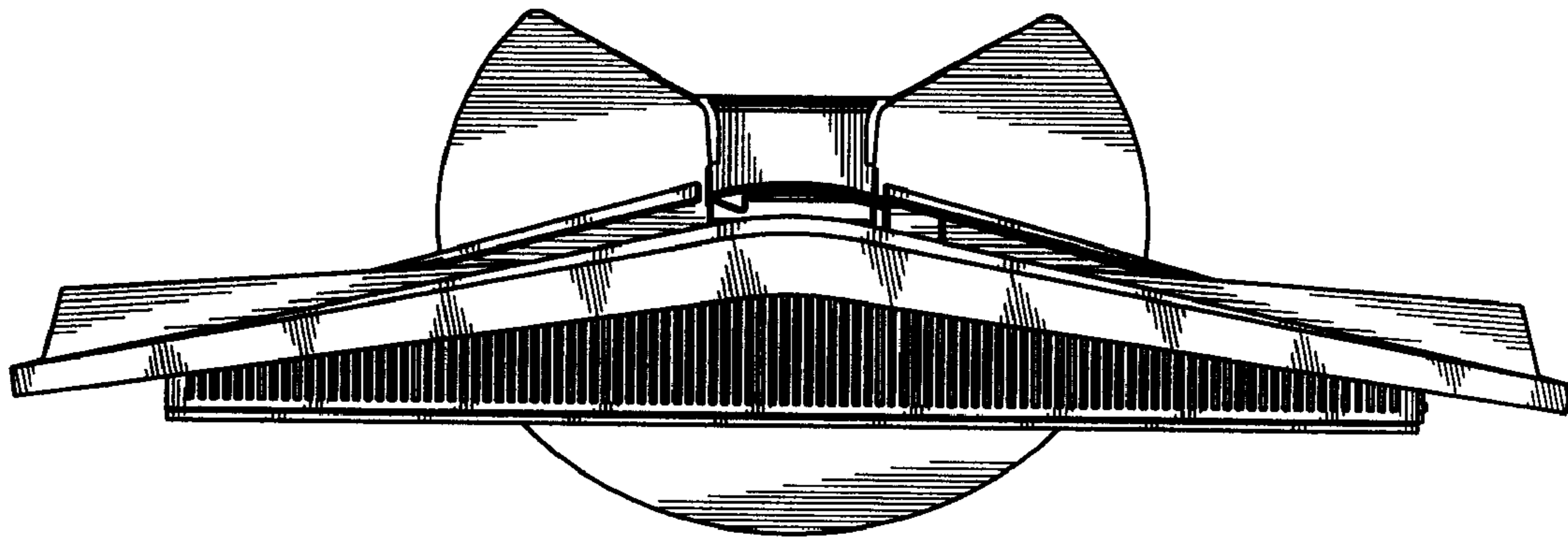


FIG. 6

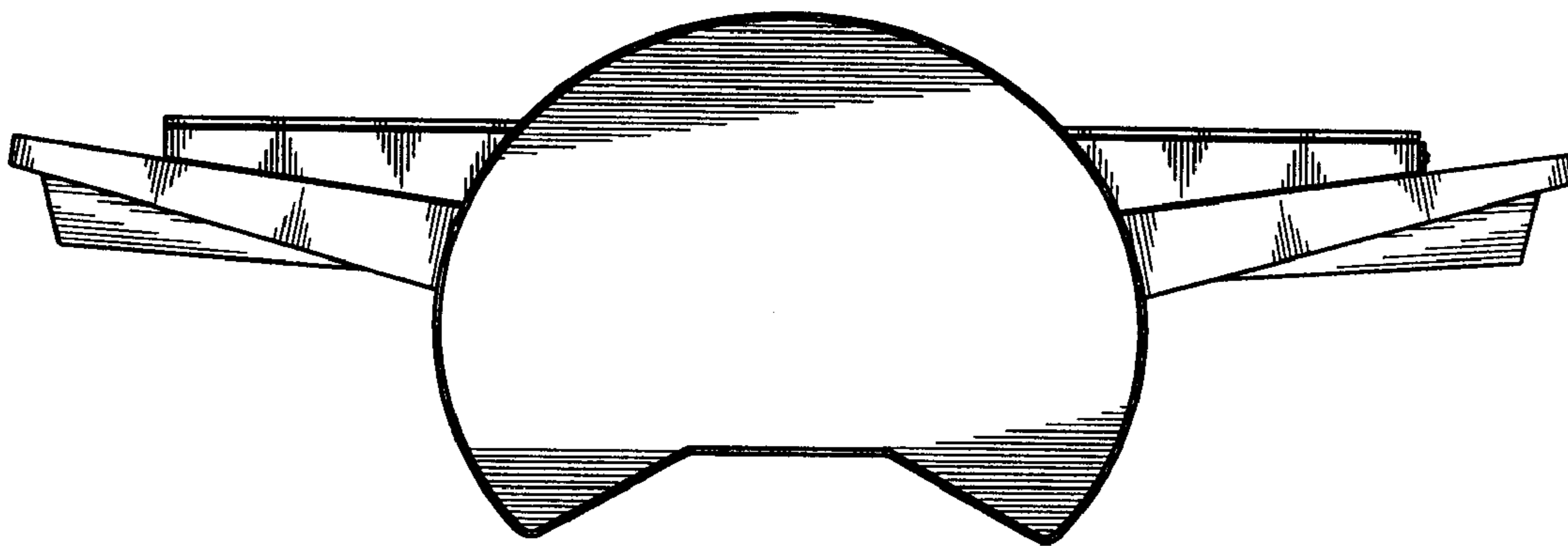


FIG. 7