



US00D536674S

(12) **United States Design Patent**  
**Millar et al.**

(10) **Patent No.:** **US D536,674 S**  
(45) **Date of Patent:** **\*\* Feb. 13, 2007**

(54) **HOUSING FOR ELECTRONIC DEVICE**

(75) Inventors: **Greg Max Millar**, Coarsegold, CA (US); **Raul Cortes**, Clovis, CA (US); **Richard Todd Boswell**, Fresno, CA (US)

(73) Assignee: **Pelco**, Clovis, CA (US)

(\*\*) Term: **14 Years**

(21) Appl. No.: **29/226,961**

(22) Filed: **Apr. 5, 2005**

(51) **LOC (8) Cl.** ..... **13-03**

(52) **U.S. Cl.** ..... **D13/184**

(58) **Field of Classification Search** ..... D13/160,  
D13/162, 164; D14/356, 496, 155, 135, 136,  
D14/240, 265; 312/223.2; 345/156, 157,  
345/530, 903, 905; 360/99.02, 99.07; 361/600,  
361/679, 686-690, 724-730, 752, 796, 797;  
369/75.11, 75.21, 77.11, 77.21; 455/347;  
709/253; 725/37, 39, 135, 139, 141; 720/600,  
720/612, 619, 646, 647, 655

See application file for complete search history.

(56) **References Cited**

**U.S. PATENT DOCUMENTS**

D353,800 S	*	12/1994	Lewis et al.	.....	D13/184
D367,042 S	*	2/1996	Morrow et al.	.....	D13/184
5,852,594 A	*	12/1998	Kaise et al.	.....	720/647
D404,017 S	*	1/1999	Grimm et al.	.....	D13/184
6,041,361 A	*	3/2000	Wilson et al.	.....	709/253

(Continued)

**OTHER PUBLICATIONS**

Product Specification: “*DX7000 Series Digital Video Recorder, 8/16 Camera Inputs, 30-480 GB Hard Drive*”, Pelco DataFax, Spec: 2682, Rev. 8-02; p. 475-476, date not supplied.

Product Specification: “*DX2000 Series Digital Video Recorder, 8/16 Camera Inputs, 80-460 GB Hard Drive Space*”, Pelco DataFax, Spec: 2690, Rev. 9-02; p. 471-475, date not supplied.

Product Specification: “*DX9000 Series Digital Video Recorder, Unlimited Camera Inputs, Unlimited Storage*”, Pelco DataFax, Spec: 2683, Rev. 9-02; p. 479-480, date not supplied.

Product Specification: “*DX3100 Series Digital Video Recorder, 8/16 Camera Inputs, 60/120/240 GB Hard Drive*”, Pelco DataFax, Spec: 2695, Rev. 9-03; p. 497-498, date not supplied.

Product Specification: “*DX7100 Series Digital Video Recorder, 8/16 Camera Inputs, 120-480 GB Hard Drive*”, Pelco DataFax, Spec: 2641, Rev. 11-03; p. 499-503, date not supplied.

Product Specification: “*DX8000 Series Digital Video Recorder, 8/16 Camera Inputs, 80 GB-1 TB Storage, Advanced Search Capabilities*”, Pelco DataFax, Spec: 2623, Rev. 12-03; p. 503-506, date not supplied.

Product Specification: “*DX9100 Series Digital Video Recorder, 16 Camera Inputs, 500-1500 GB Hard Drive*”, Pelco DataFax, Spec: 2636, Rev. 1-04; p. 507-508, date not supplied.

Product Specification: “*DX9200 Series Digital Video Recorder, Unlimited Camera Inputs, Unlimited Storage*”, Pelco DataFax, Spec: 2634, Rev. 10-03; p. 509-512, date not supplied.

*Primary Examiner*—Selina Sikder

(74) *Attorney, Agent, or Firm*—Gunster, Yoakley & Stewart, P.A.

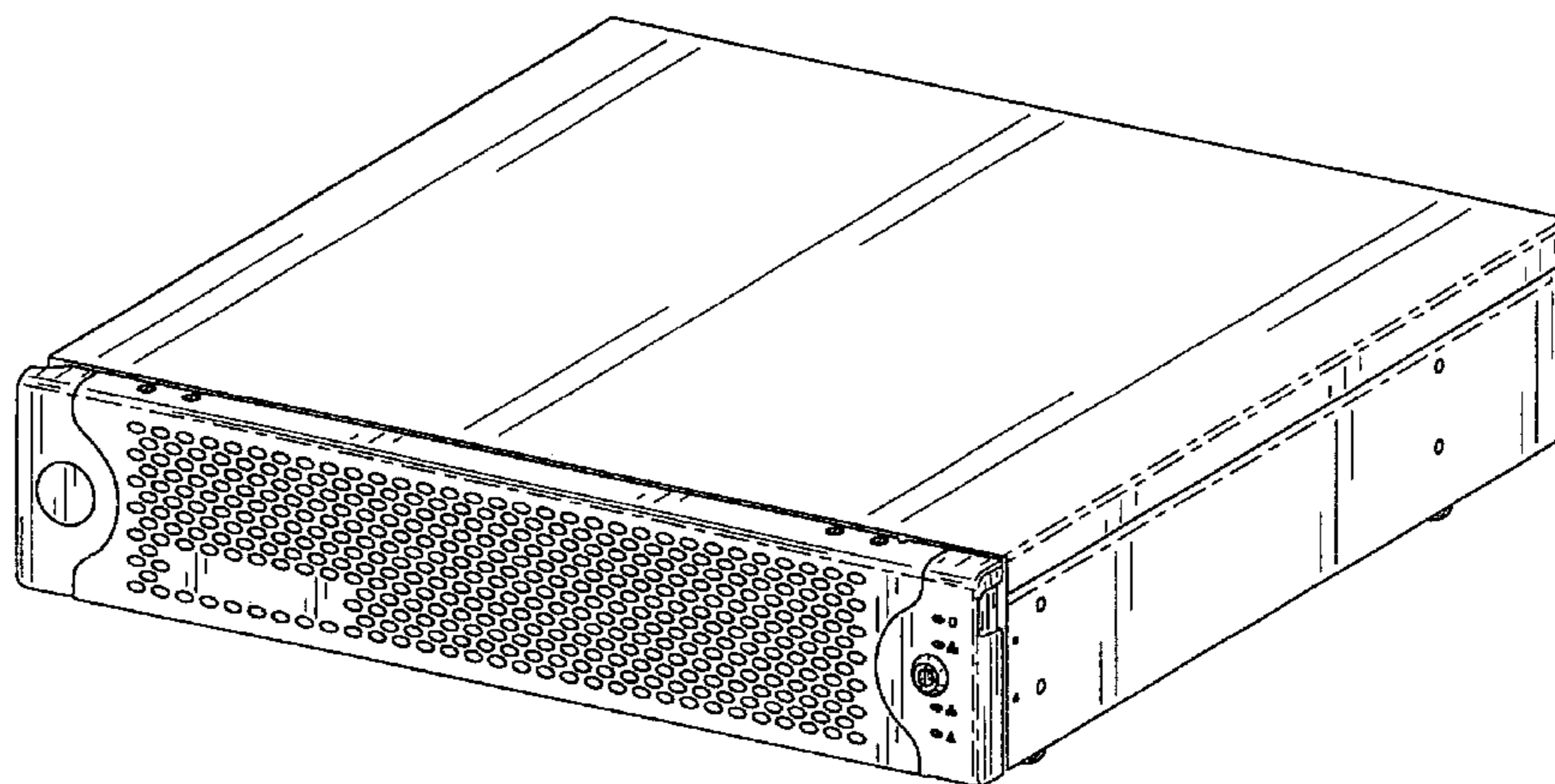
(57) **CLAIM**

The ornamental design for a housing for electronic device, as shown.

**DESCRIPTION**

FIG. 1 is a perspective upper front, left side view thereof; FIG. 2 is a front view thereof; FIG. 3 is a left side view thereof; FIG. 4 is a right side view thereof; FIG. 5 is a top view thereof; FIG. 6 is a bottom view thereof; and, FIG. 7 is a back view thereof.

**1 Claim, 7 Drawing Sheets**



# US D536,674 S

Page 2

---

U.S. PATENT DOCUMENTS			
6,522,547	B1 *	2/2003	Diaz et al. .... 361/724
6,628,512	B2 *	9/2003	Searby et al. .... 361/683
D482,369	S *	11/2003	Matuschek ..... D14/496
D487,732	S *	3/2004	Isshiki ..... D14/136
6,705,688	B2 *	3/2004	Tobishima ..... 312/223.1
6,771,876	B1 *	8/2004	Morishima et al. .... 386/46
6,925,246	B1 *	8/2005	Behl ..... 386/46
2005/0122702	A1 *	6/2005	Chen et al. .... 361/797

\* cited by examiner

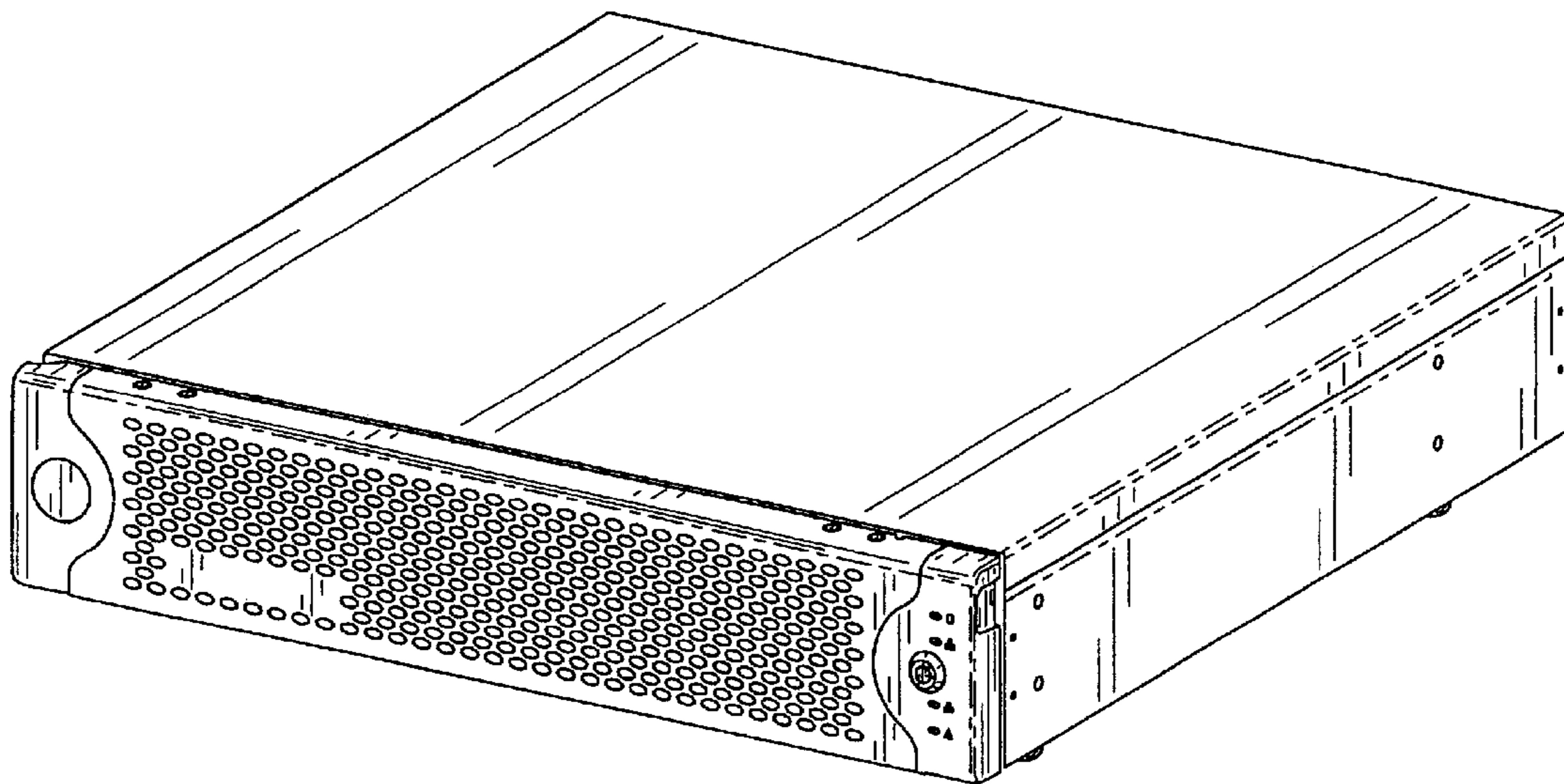


FIG. 1

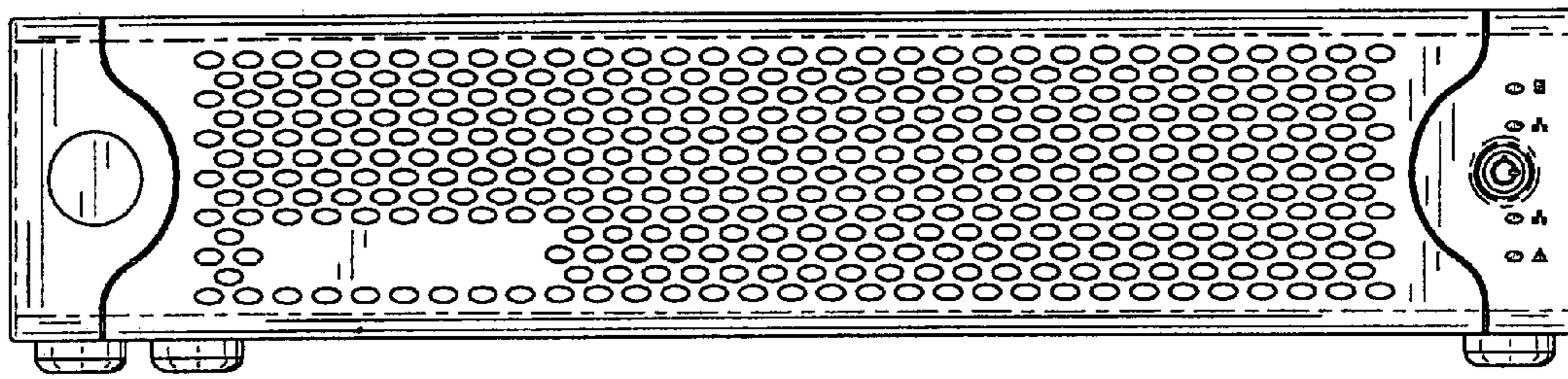


FIG. 2

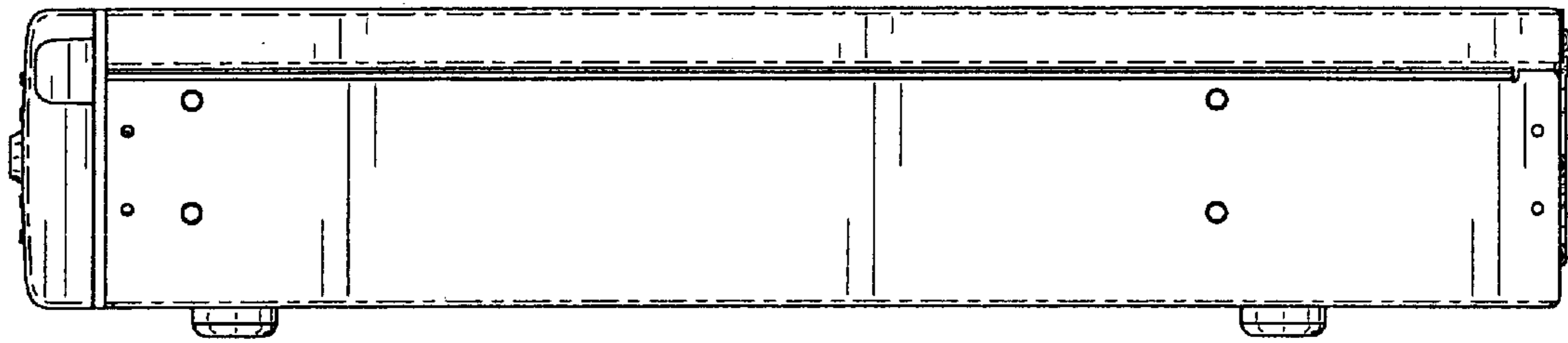


FIG. 3

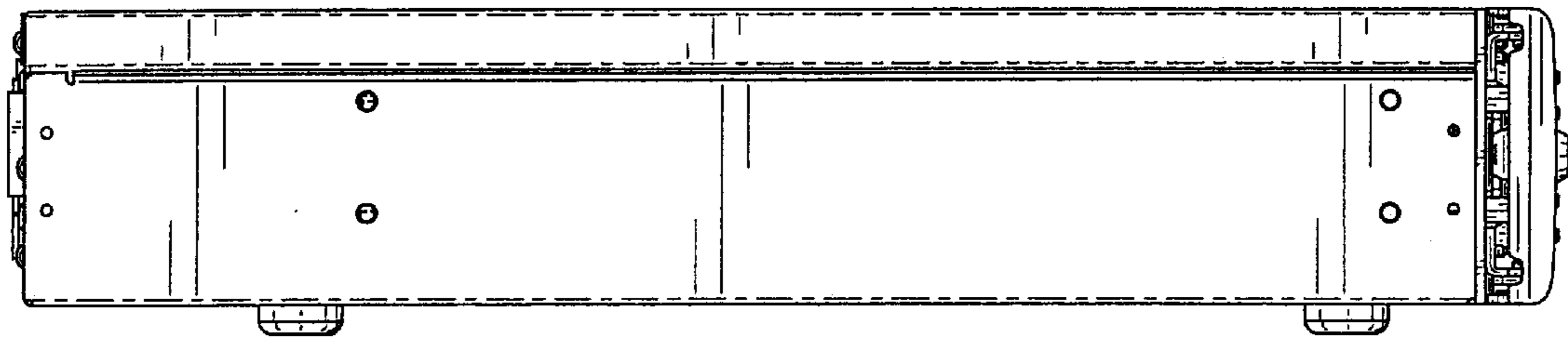


FIG. 4

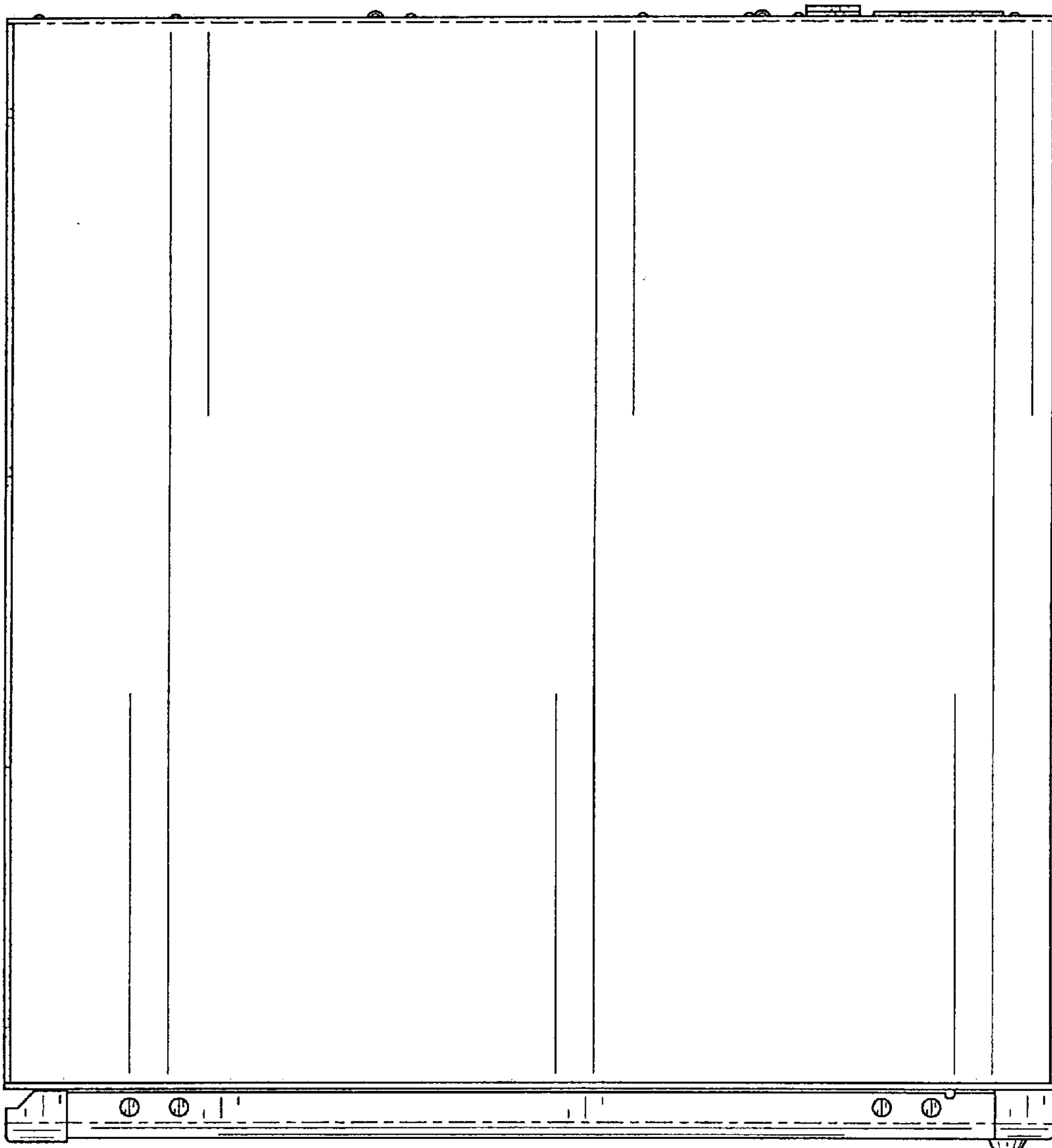


FIG. 5

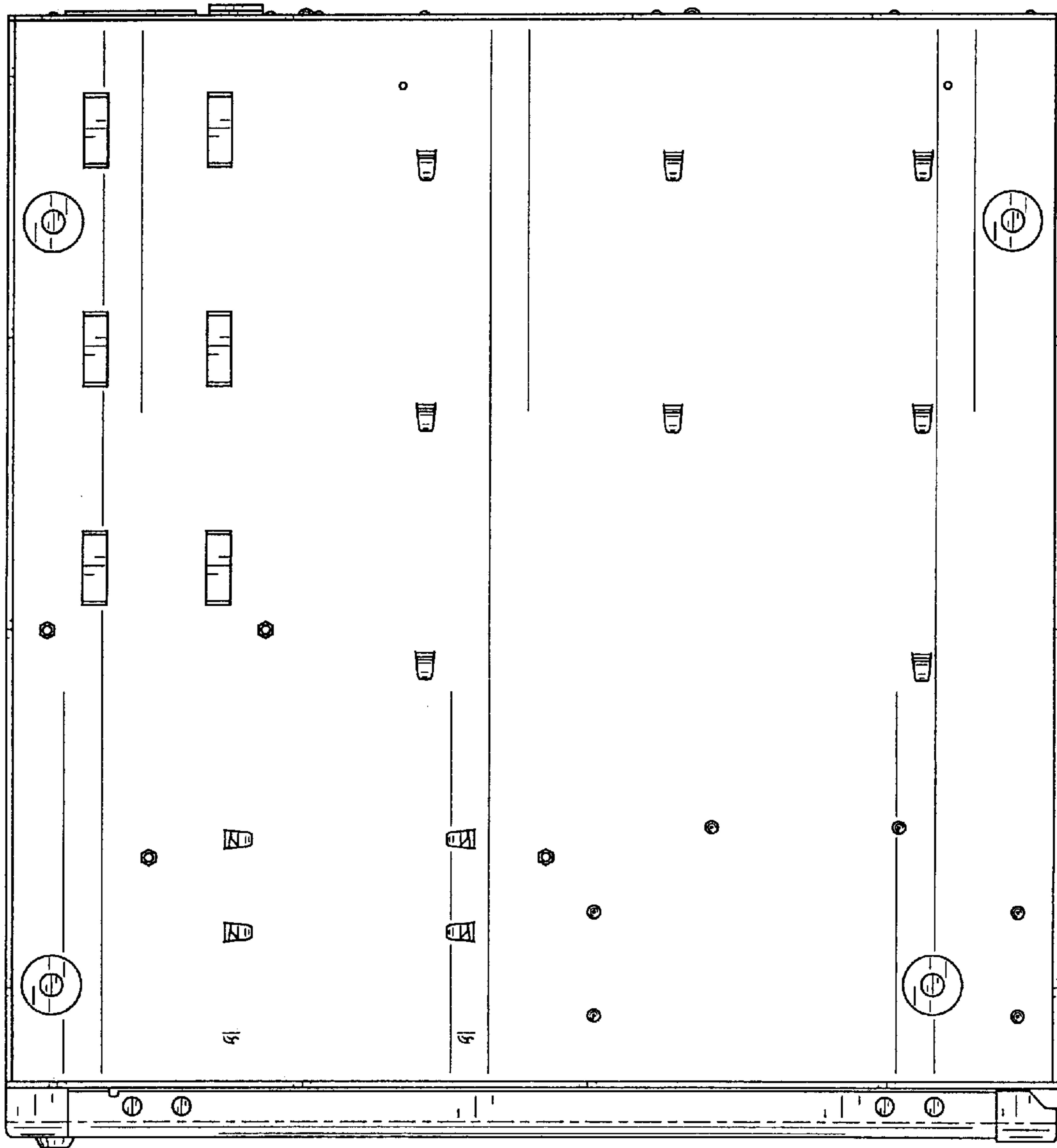


FIG. 6



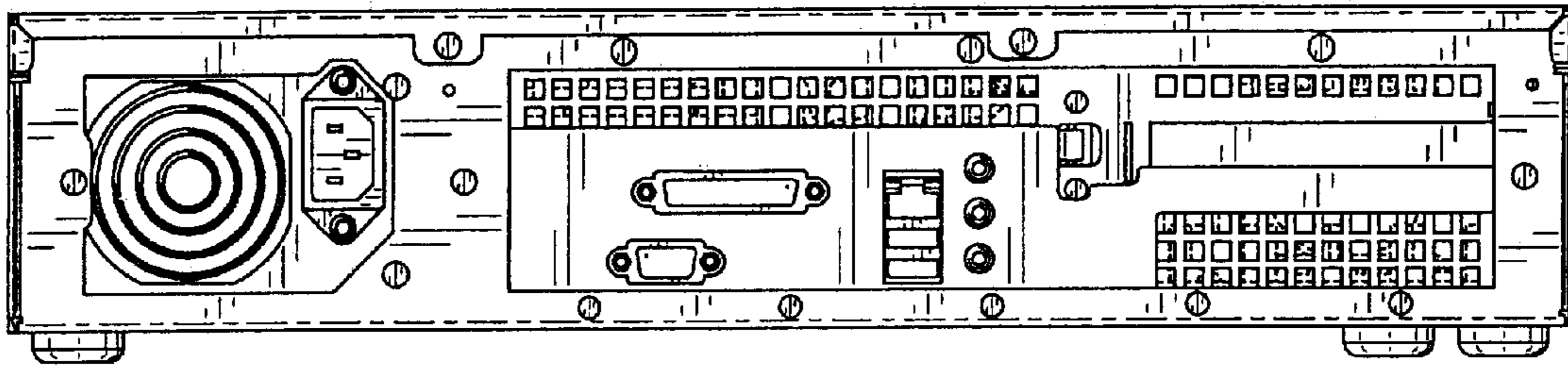


FIG. 7