



US00D536672S

(12) **United States Design Patent**
Asakawa

(10) **Patent No.:** **US D536,672 S**
(45) **Date of Patent:** **** Feb. 13, 2007**

(54) **LIGHT EMITTING DIODE**

FOREIGN PATENT DOCUMENTS

(75) Inventor: **Hideo Asakawa**, Anan (JP)

JP 6-204569 A 7/1994
JP 7-214600 A 8/1995

(73) Assignee: **Nichia Corporation**, Anan (JP)

(Continued)

(**) Term: **14 Years**

OTHER PUBLICATIONS

(21) Appl. No.: **29/236,746**

Surface Mount Type Led—Light Emitting Diode, Product Guide, Jan. 2001, 6 pages, Cat. No. 01033K, Nichia Corporation, Japan.

(22) Filed: **Aug. 23, 2005**

(Continued)

Related U.S. Application Data

(63) Continuation of application No. 10/655,323, filed on Sep. 5, 2003, now Pat. No. 6,953,952.

Primary Examiner—Selina Sikder

(74) *Attorney, Agent, or Firm*—Smith Patent Office

(30) **Foreign Application Priority Data**

(57) **CLAIM**

Sep. 5, 2002 (JP) 2002-259482
May 13, 2003 (JP) 2003-133874

I claim the ornamental design for a light emitting diode, as shown and described.

(51) **LOC (8) Cl.** **13-03**

(52) **U.S. Cl.** **D13/180**

(58) **Field of Classification Search** D13/180;
D26/2; 257/79, 80, 81, 82, 88, 89, 95, 98,
257/99, 100, 433, 434, 666; 313/483, 498,
313/500; 361/820; 362/235, 249, 555, 800
See application file for complete search history.

DESCRIPTION

FIG. 1 is a perspective view of a light emitting diode showing my new design;
FIG. 2 is a top plan view thereof;
FIG. 3 is a left side elevation view thereof;
FIG. 4 is a front elevation view thereof;
FIG. 5 is a right side elevation view thereof;
FIG. 6 is a bottom plan view thereof; and,
FIG. 7 is a rear elevation view thereof.

(56) **References Cited**

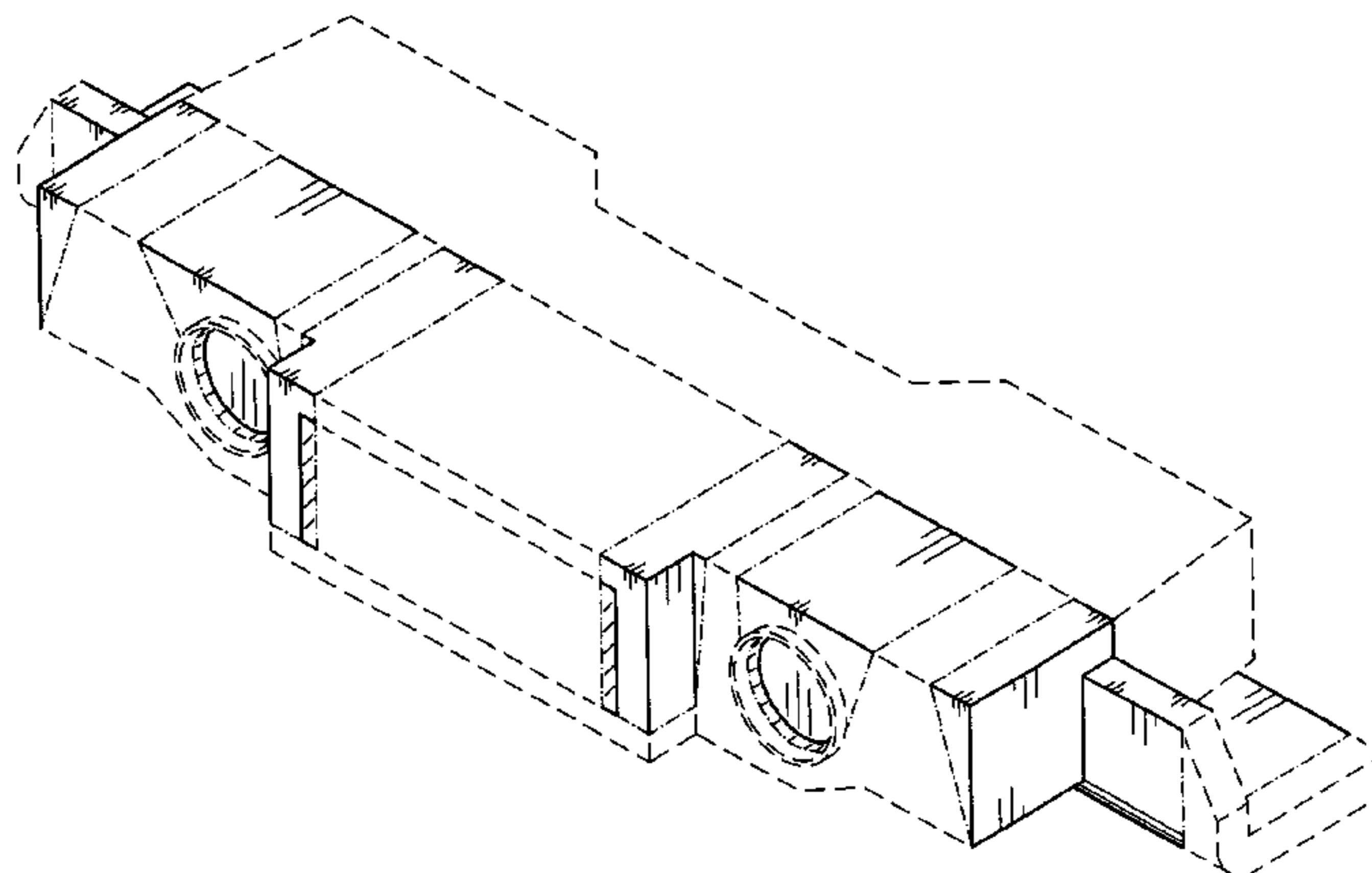
U.S. PATENT DOCUMENTS

6,274,890 B1 8/2001 Oshio et al.
6,747,293 B2 6/2004 Nitta et al.
D493,429 S * 7/2004 Ishida D13/180
D495,667 S 9/2004 Kim et al.
D495,668 S 9/2004 Kim et al.
D500,292 S * 12/2004 Ishida D13/180
D500,294 S * 12/2004 Ishida D13/180
D501,831 S * 2/2005 Ishida D13/180
6,953,952 B2 * 10/2005 Asakawa 257/103
D511,148 S * 11/2005 Ishida D13/180
2001/0010449 A1 8/2001 Chiu et al.
2004/0041220 A1 3/2004 Kwak et al.
2005/0121688 A1 * 6/2005 Nagai et al. 257/99

The broken line showing of the environment is for illustrative purpose only and forms no part of the claimed design. The portions of the claimed invention shown between the broken lines are not being claimed. The claimed light emitting diode is defined by the solid lines and the ends of the shading lines on each surface.

The dash-dash broken line showing of the environment is for illustrative purpose only and forms no part of the claimed design. The dash-dot broken lines define the bounds of the claimed design and form no part thereof.

1 Claim, 2 Drawing Sheets



FOREIGN PATENT DOCUMENTS

| | | |
|----|---------------|---------|
| JP | 8-264842 A | 10/1996 |
| JP | 984224 S | 7/1997 |
| JP | 984224-1 S | 10/1997 |
| JP | 1048229 S | 9/1999 |
| JP | 2000-196153 A | 7/2000 |

OTHER PUBLICATIONS

Surface Mount Type LED Light Emitting Diode, Product Guide, Feb. 2002, 26 pages, Cat. No. 02025K, Nichia Corporation, Japan.

* cited by examiner

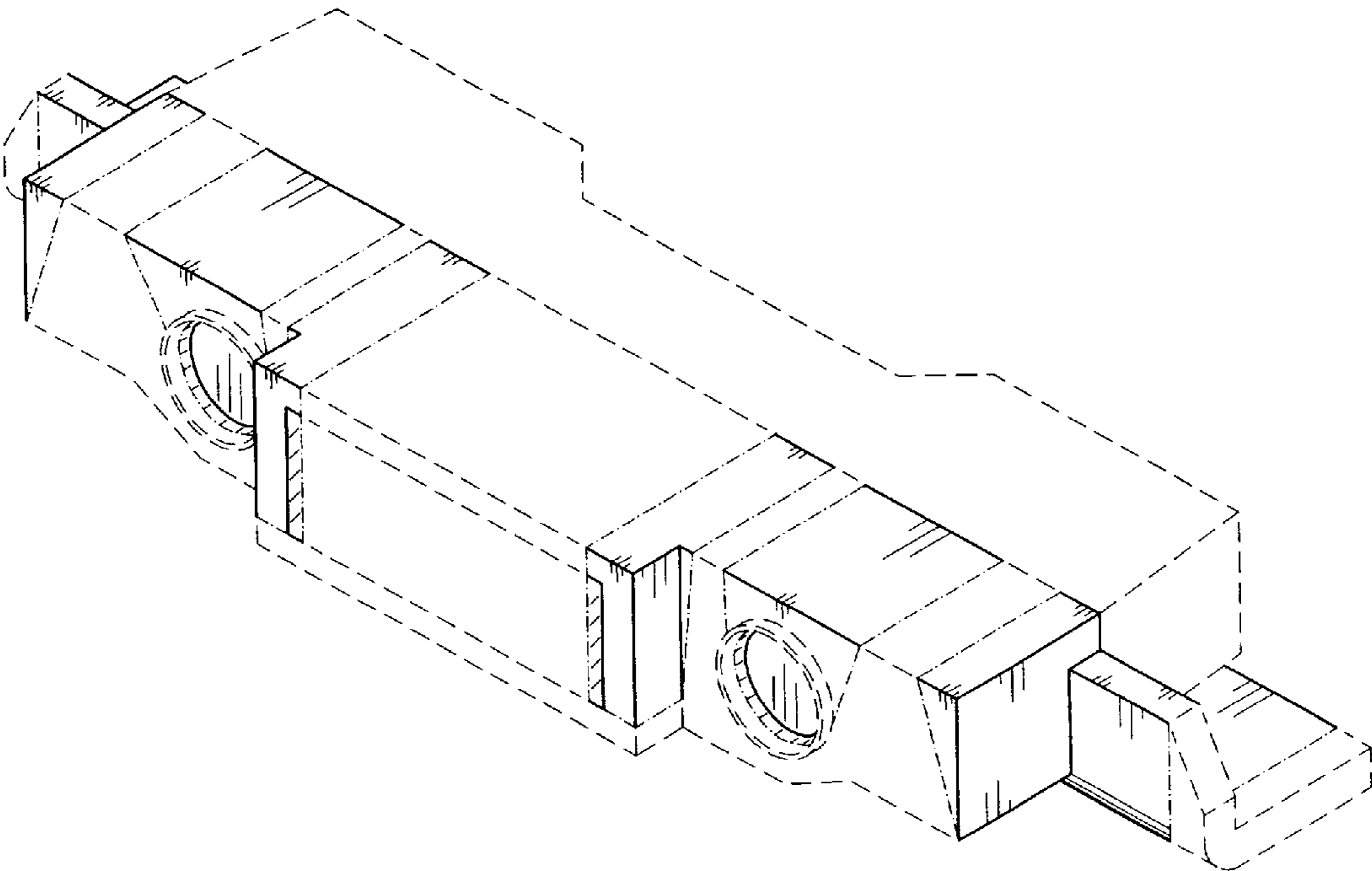


FIG. 1

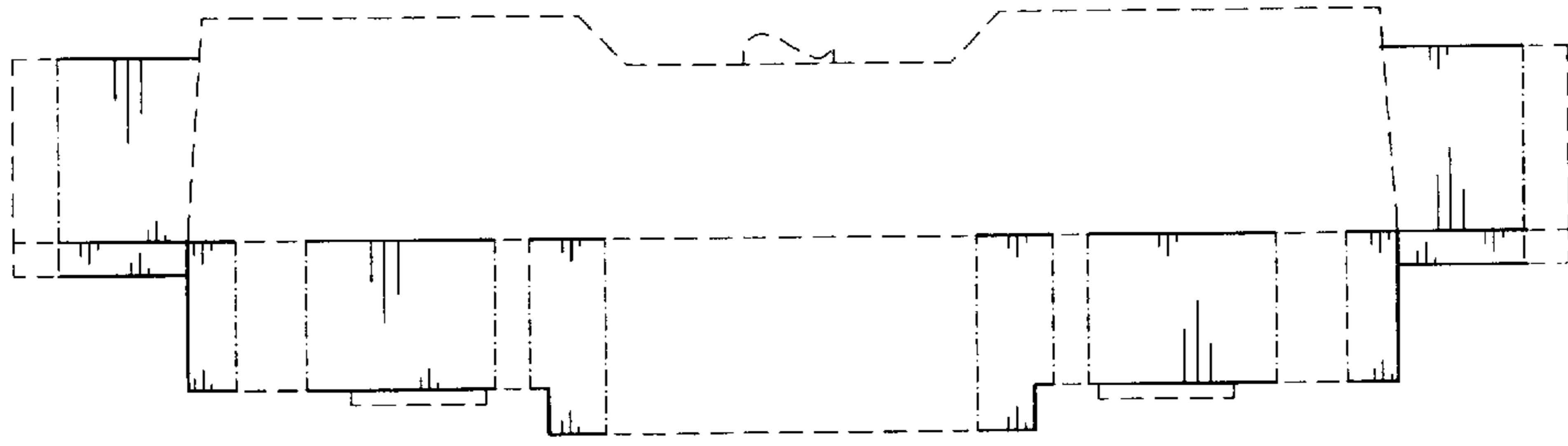


FIG. 2

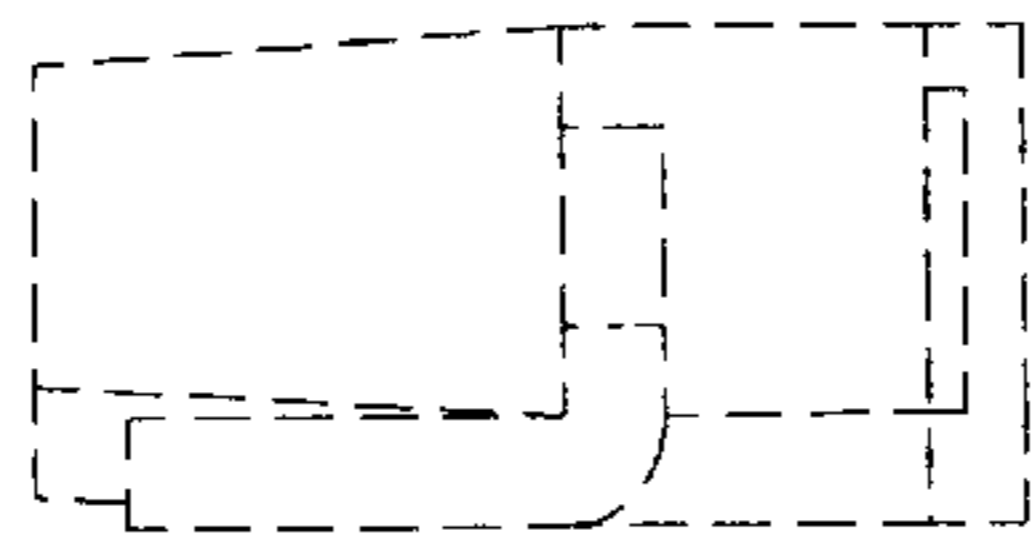


FIG. 3



FIG. 4



FIG. 5

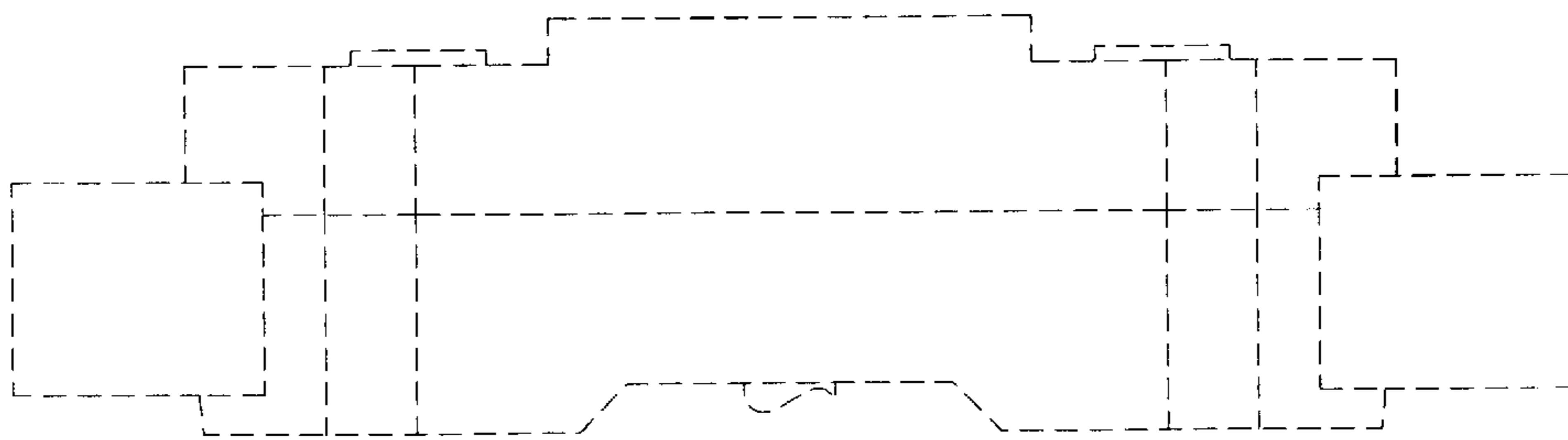


FIG. 6

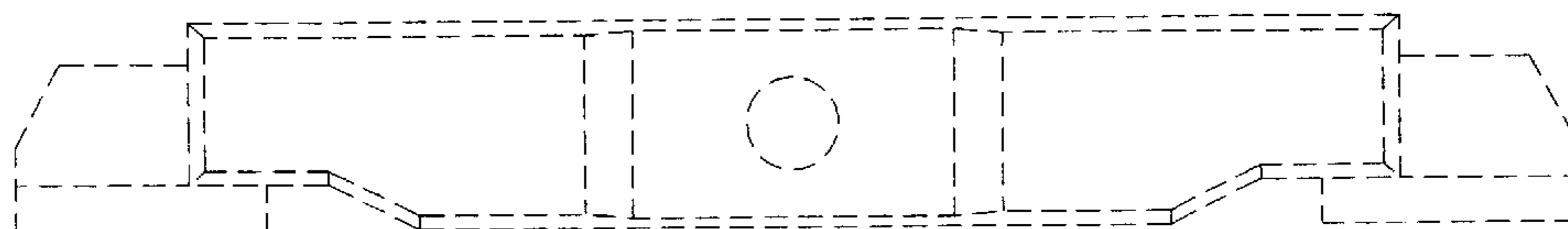


FIG. 7