



US00D536670S

(12) **United States Design Patent**
Mahoney

(10) **Patent No.:** **US D536,670 S**

(45) **Date of Patent:** **** Feb. 13, 2007**

(54) **HOUSING ASSEMBLY WITH CONNECTION SHROUD**

(75) Inventor: **William G. Mahoney**, Suwanee, GA (US)

(73) Assignee: **Scientific-Atlanta, Inc.**, Lawrenceville, GA (US)

(**) Term: **14 Years**

(21) Appl. No.: **29/204,748**

(22) Filed: **May 4, 2004**

(51) **LOC (8) Cl.** **13-03**

(52) **U.S. Cl.** **D13/151; D13/133**

(58) **Field of Classification Search** D13/133, D13/146-147, 151-156, 158, 184, 199; D8/349, D8/382; 174/59, 66; 439/100, 368, 274-275, 439/373, 495, 521, 578, 587
See application file for complete search history.

(56) **References Cited**

U.S. PATENT DOCUMENTS

3,904,812	A	*	9/1975	Daffron	174/549
4,237,342	A		12/1980	Eller et al.	179/1 PC
5,354,208	A		10/1994	Salaski et al.	439/230
5,431,583	A		7/1995	Szegda	439/589
5,504,424	A		4/1996	Graf et al.	324/174
D390,534	S	*	2/1998	Prucey	D13/146
D430,542	S		9/2000	Hoferitza et al.	D13/154
6,148,862	A		11/2000	Doll	137/884
6,340,250	B1		1/2002	Auclair	385/87
6,394,507	B1		5/2002	Baker	285/368
6,428,357	B1		8/2002	Dolinshek et al.	439/606
6,435,911	B1		8/2002	Payson et al.	439/606
6,443,764	B2		9/2002	Makita	439/587

6,478,608	B1		11/2002	Grant et al.	439/468
6,482,043	B1	*	11/2002	Stout	439/652
D478,550	S		8/2003	Garver	D13/146
6,679,730	B2		1/2004	Haug et al.	439/606
D506,445	S	*	6/2005	Mahoney	D13/154
D511,500	S	*	11/2005	Mahoney	D13/154
6,969,279	B1	*	11/2005	Mahoney	439/589
D512,382	S	*	12/2005	Mahoney	D13/154
D521,939	S	*	5/2006	Mahoney	D13/151
2005/0250384	A1	*	11/2005	Mahoney	439/589

* cited by examiner

Primary Examiner—Daniel Bui

(57) **CLAIM**

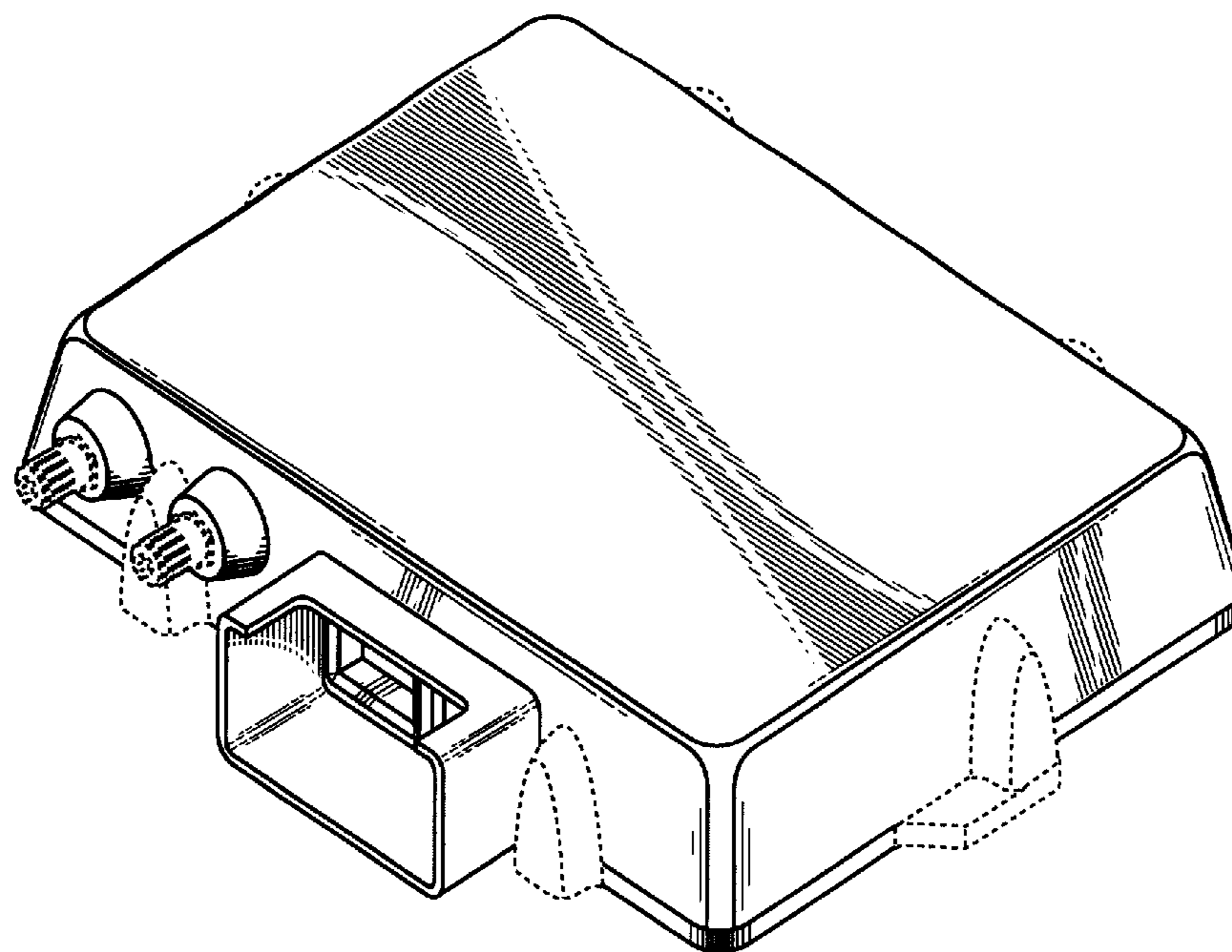
The ornamental design of a housing assembly with connection shroud, as shown and described.

DESCRIPTION

This design application is related to U.S. utility application No. 10/838,938, and U.S. design application No. 29/204,781, both filed on May 4, 2004, and both to the same inventor, which are incorporated herein by reference, and having been filed concurrently with the present design application.

FIG. 1 is a perspective view of a new housing assembly with connection shroud according to the present invention; FIG. 2 is a front view of the design shown in FIG. 1; FIG. 3 is a left side view of the design shown in FIG. 1; FIG. 4 is a right side view of the design shown in FIG. 1; FIG. 5 is a rear view of the design shown in FIG. 1; FIG. 6 is a top view of the design shown in FIG. 1; and, FIG. 7 is a bottom view of the design shown in FIG. 1. The broken lines in the drawings are for illustrative purposes only and form no part of the claimed design.

1 Claim, 3 Drawing Sheets



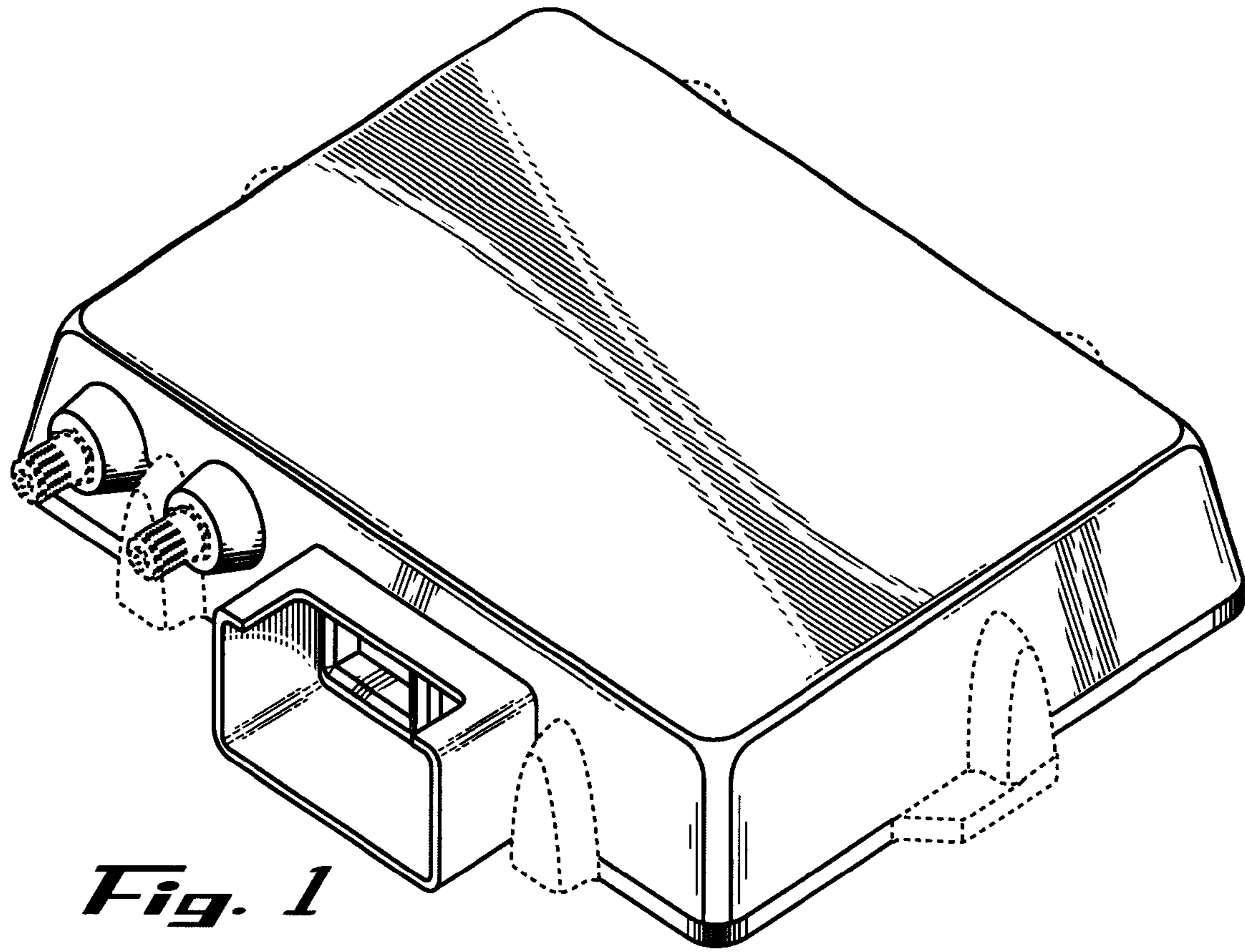


Fig. 1

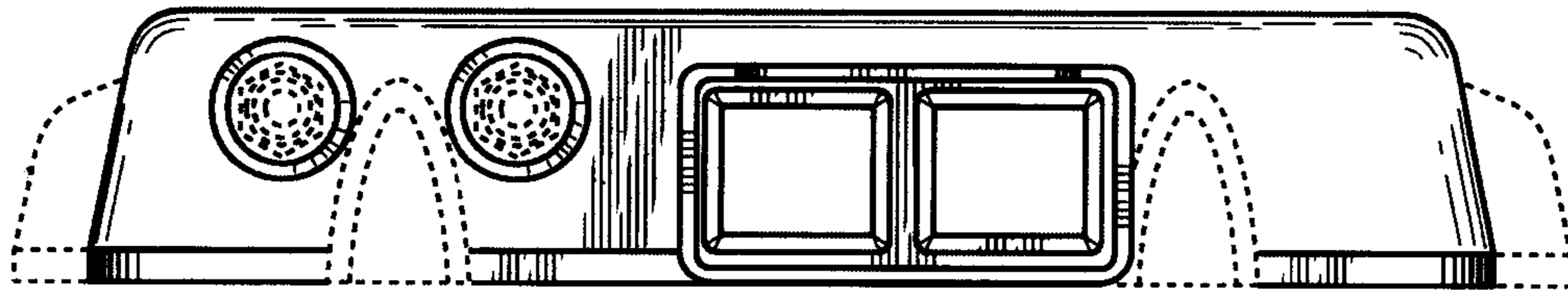


Fig. 2

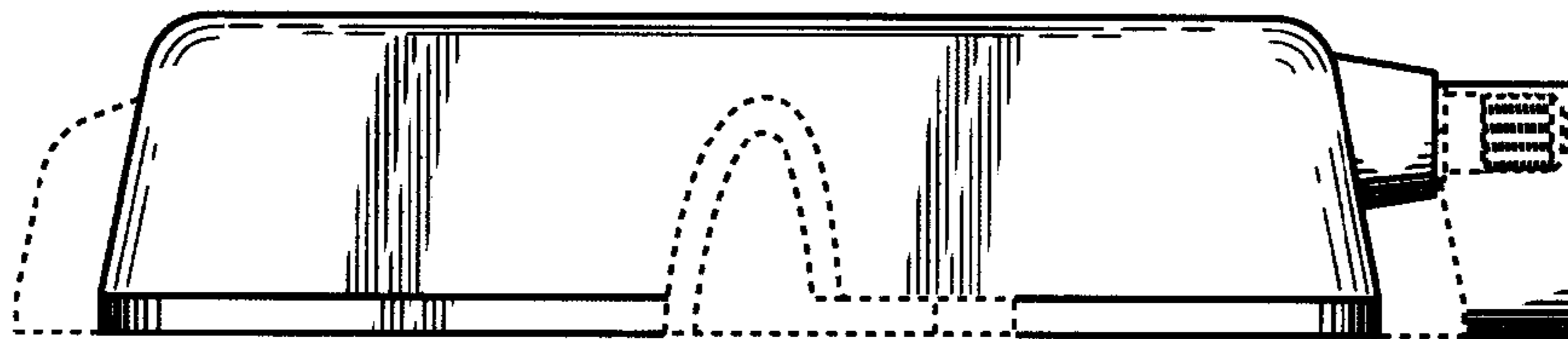


Fig. 3

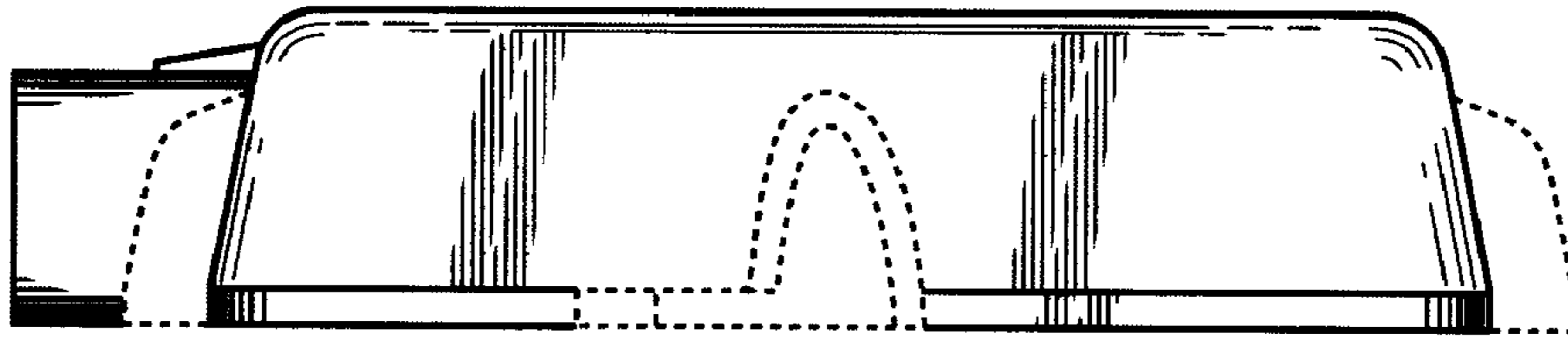


Fig. 4

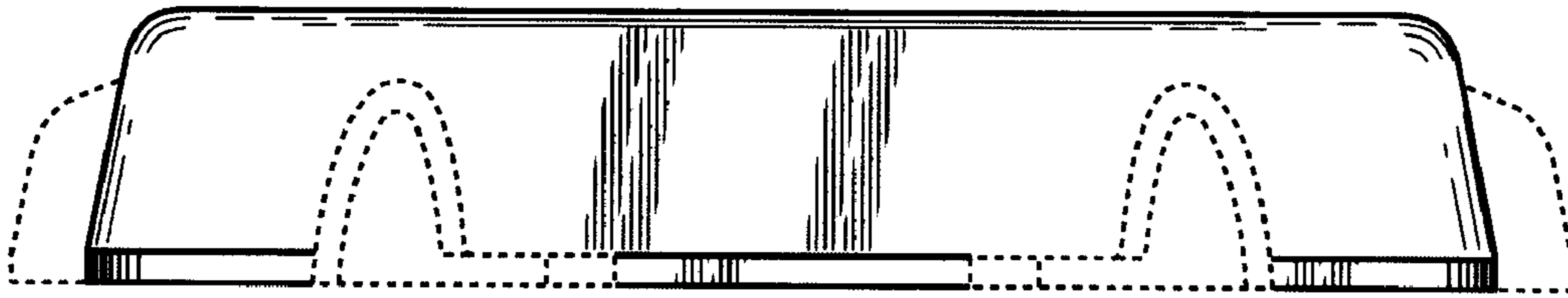


Fig. 5

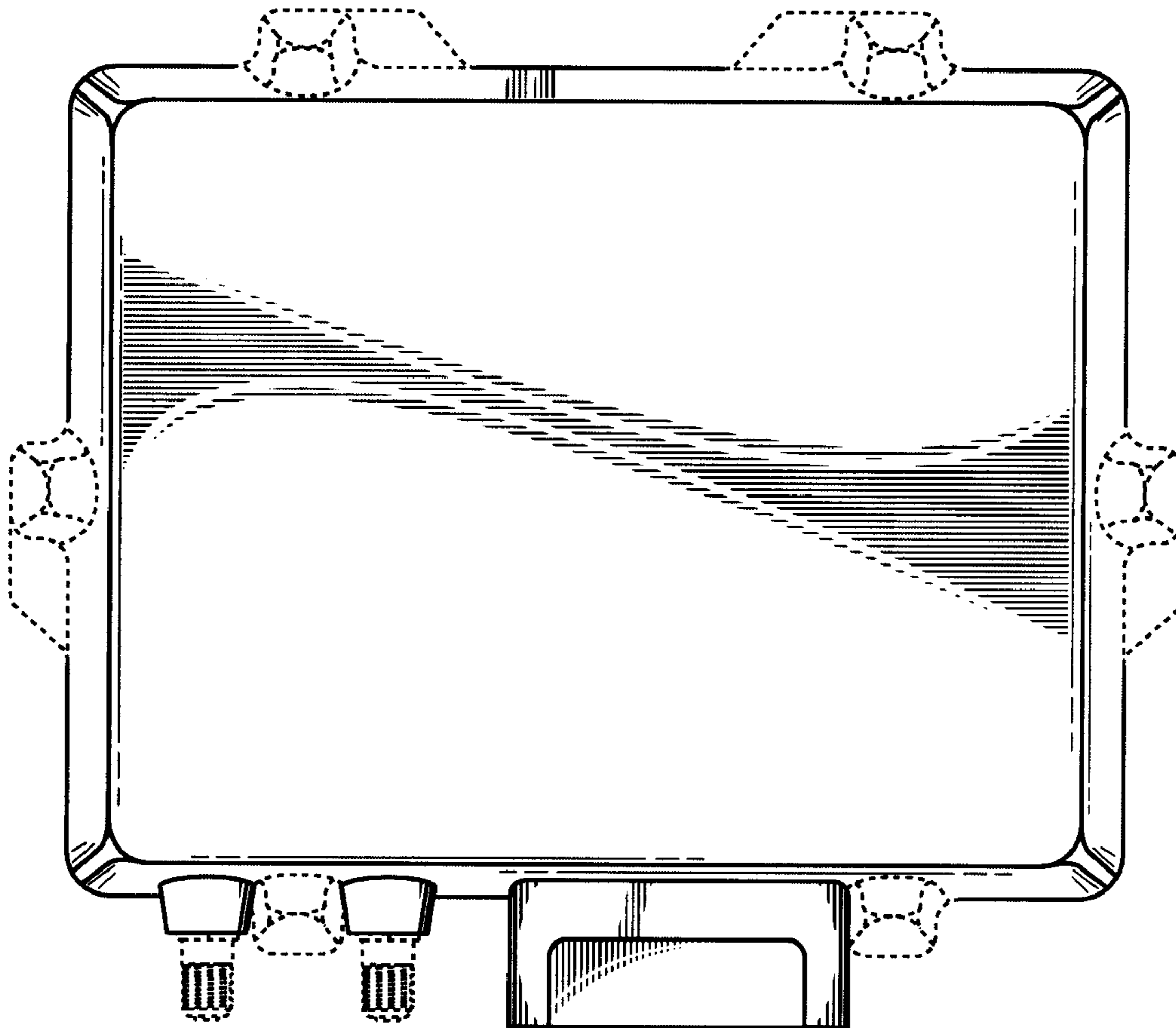


Fig. 6

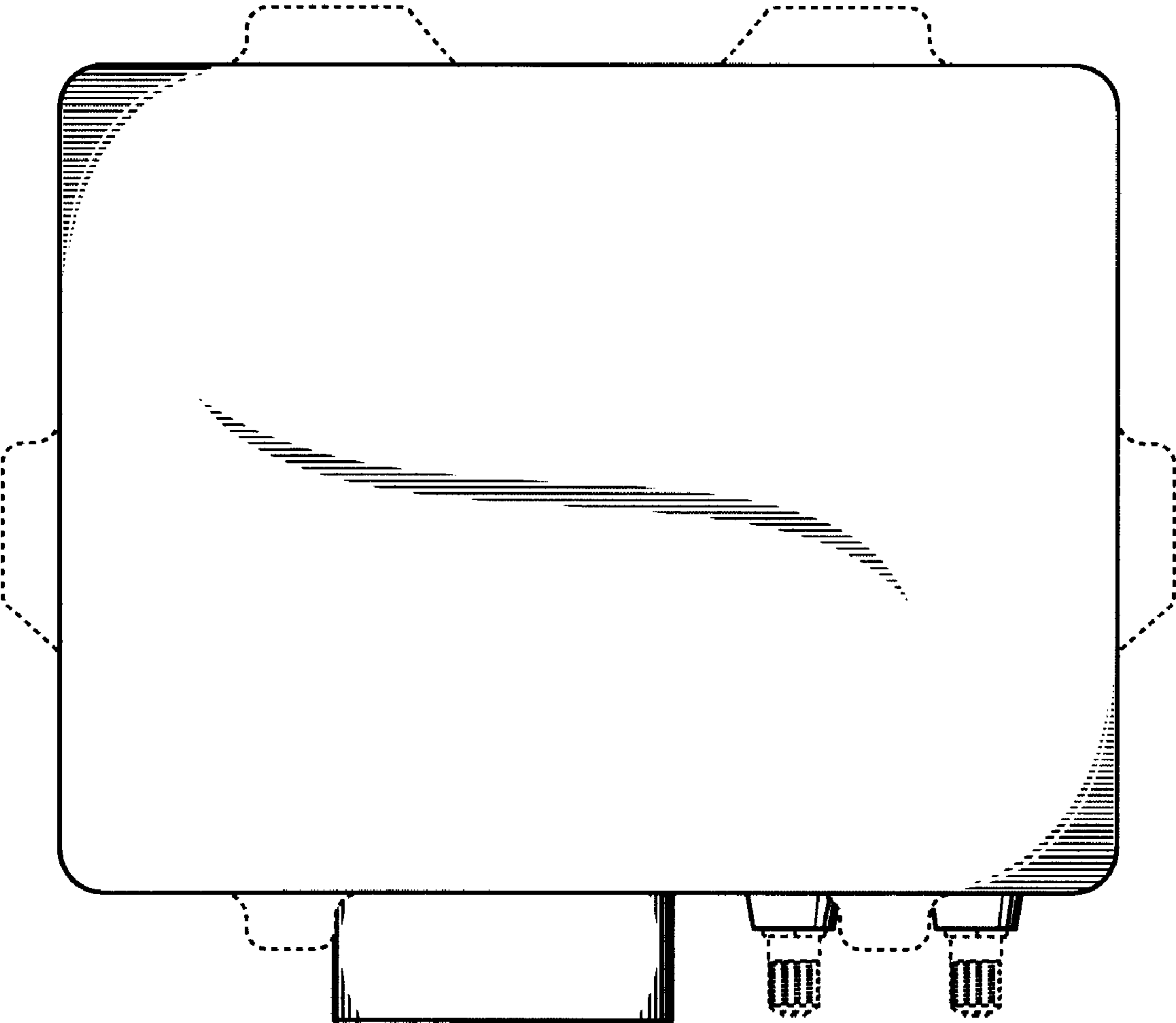


Fig. 1