



US00D536668S

(12) **United States Design Patent**
Ye et al.

(10) **Patent No.:** **US D536,668 S**

(45) **Date of Patent:** **** Feb. 13, 2007**

(54) **ELECTRICAL CARD CONNECTOR**

(75) Inventors: **Ke-Hua Ye**, Kunshan (CN); **Qi-Jun Zhao**, Kunshan (CN); **Mao-Lin Lei**, Kunshan (CN)

(73) Assignee: **Hon Hai Precision Ind. Co., Ltd.**, Taipei Hsien (TW)

(**) Term: **14 Years**

(21) Appl. No.: **29/237,658**

(22) Filed: **Sep. 2, 2005**

(30) **Foreign Application Priority Data**

Jul. 18, 2005 (CN) 2005 3 0086765

(51) **LOC (8) Cl.** **13-03**

(52) **U.S. Cl.** **D13/147**

(58) **Field of Classification Search** D13/133,
D13/146-147, 149, 154, 184; D14/432-436,
D14/438; 439/325, 492, 496, 607-610, 630-631,
439/862

See application file for complete search history.

(56) **References Cited**

U.S. PATENT DOCUMENTS

D443,861 S * 6/2001 Ko et al. D13/147
D488,815 S * 4/2004 Hashimoto et al. D14/433

6,773,308 B2 * 8/2004 Lwee 439/630
D498,210 S * 11/2004 Zhang D13/147
2004/0106317 A1 * 6/2004 Koser 439/325
2006/0025019 A1 * 2/2006 Zhu et al. 439/630

* cited by examiner

Primary Examiner—Stella Reid
Assistant Examiner—Daniel Bui

(74) *Attorney, Agent, or Firm*—Wei Te Chung

(57) **CLAIM**

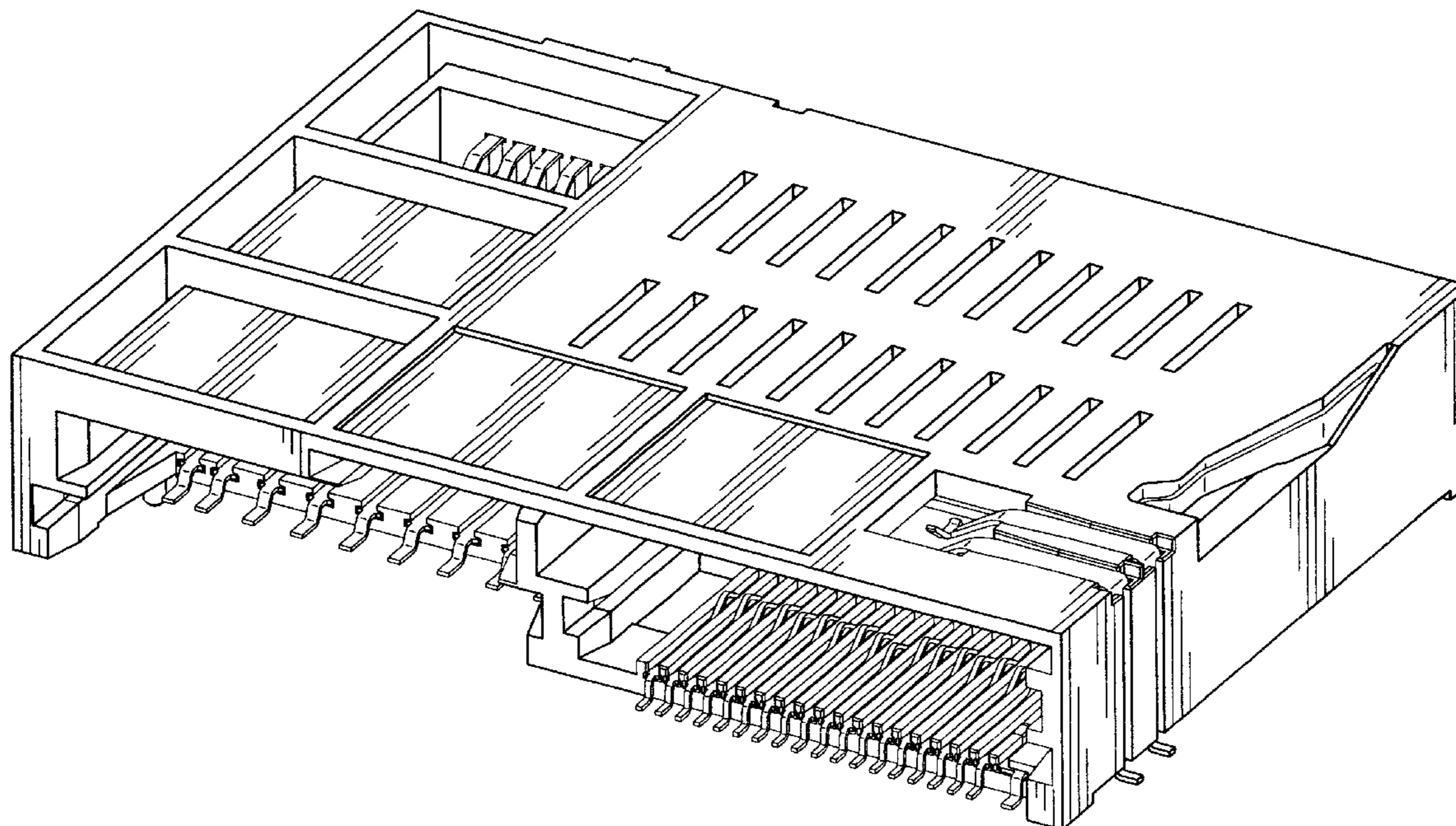
The ornamental design for an electrical card connector, as shown and described.

DESCRIPTION

FIG. 1 is a front, top and right side perspective view of an electrical card connector showing our new design; FIG. 2 is a front elevational view thereof; FIG. 3 is a rear elevational view thereof; FIG. 4 is a left side elevational view thereof; FIG. 5 is a right side elevational view thereof; FIG. 6 is a top plan view thereof; FIG. 7 is a bottom plan view thereof; and, FIG. 8 is a front, top and right side perspective view thereof, in use condition.

The broken line showing is for illustrative purposes only and forms no part of the claimed design.

1 Claim, 8 Drawing Sheets



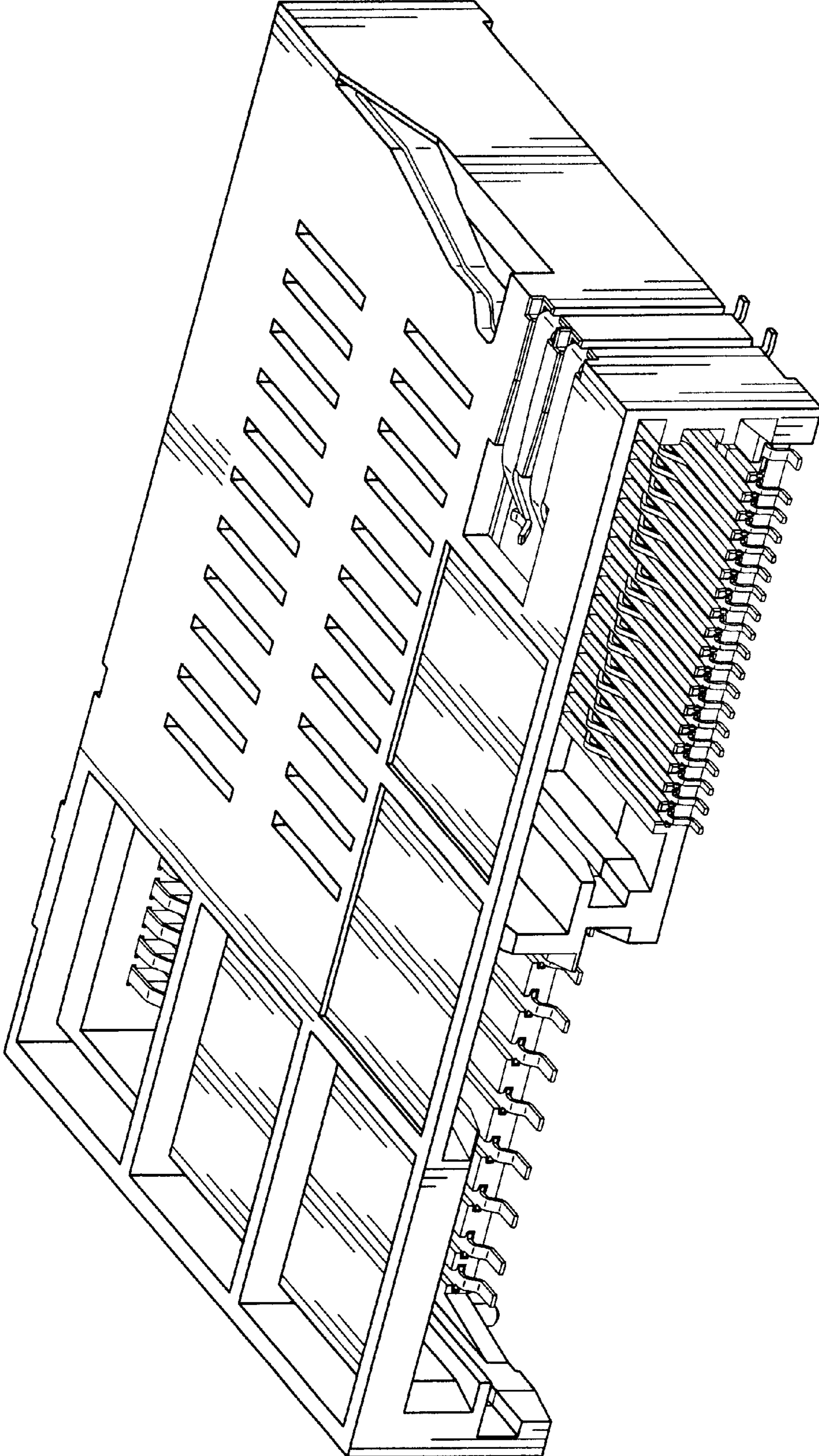


FIG. 1

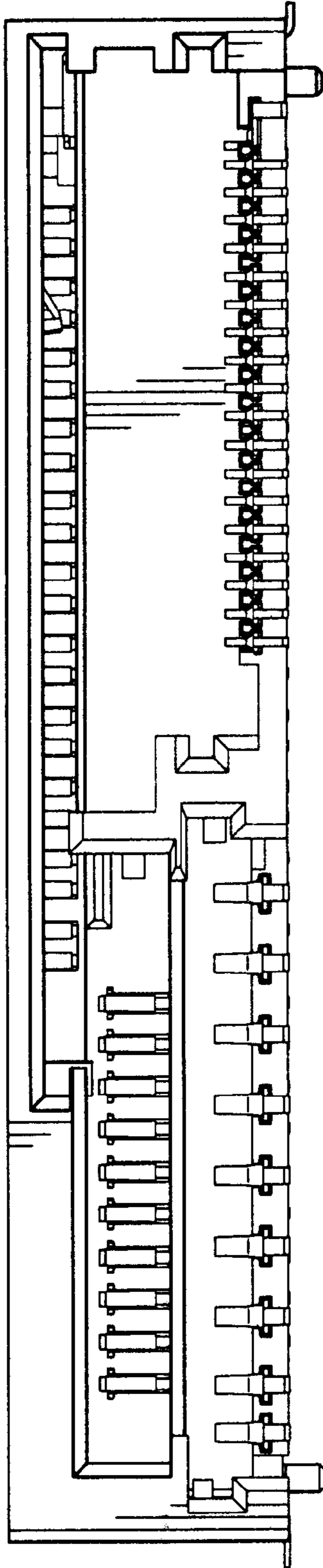


FIG. 2

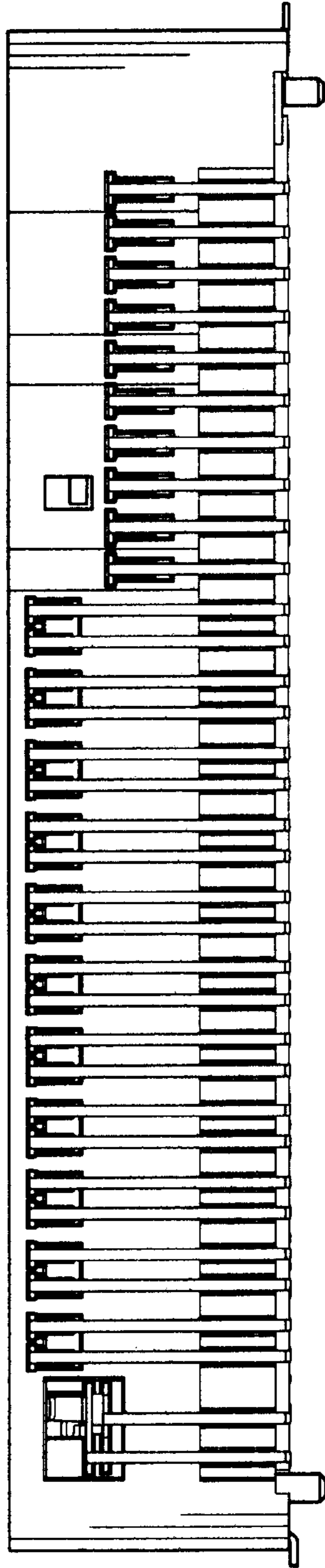


FIG. 3

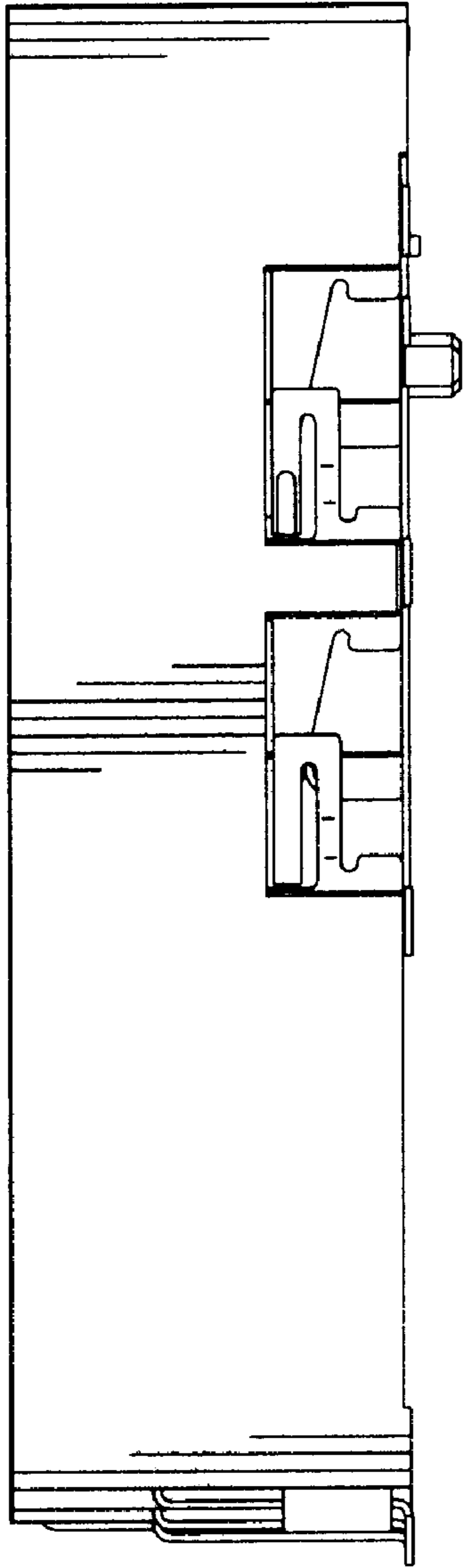


FIG. 4

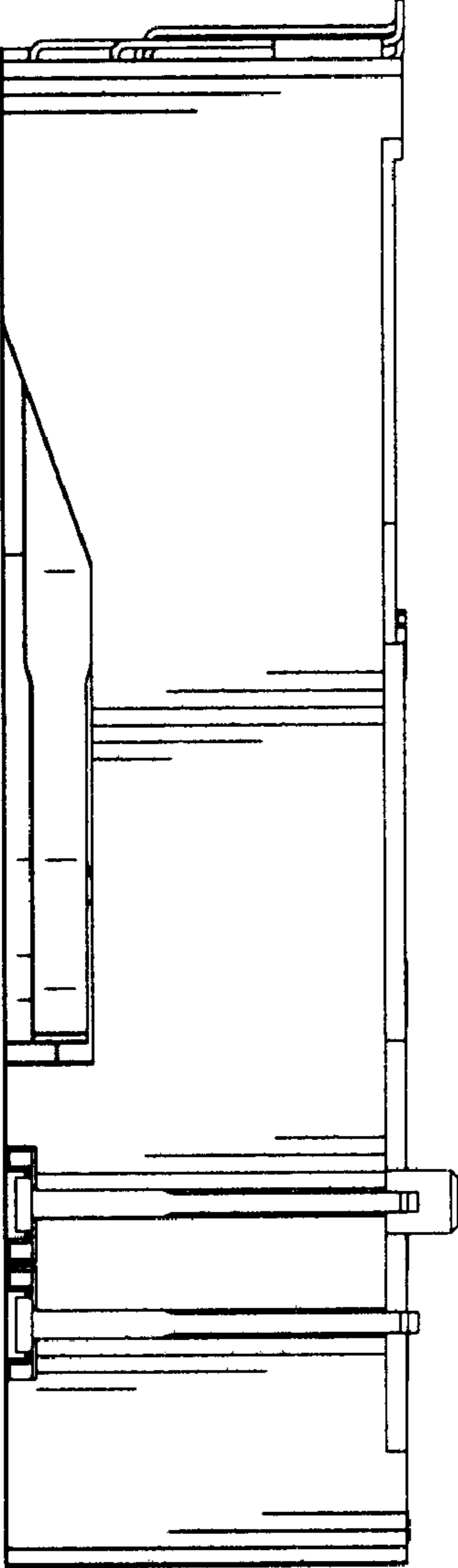


FIG. 5

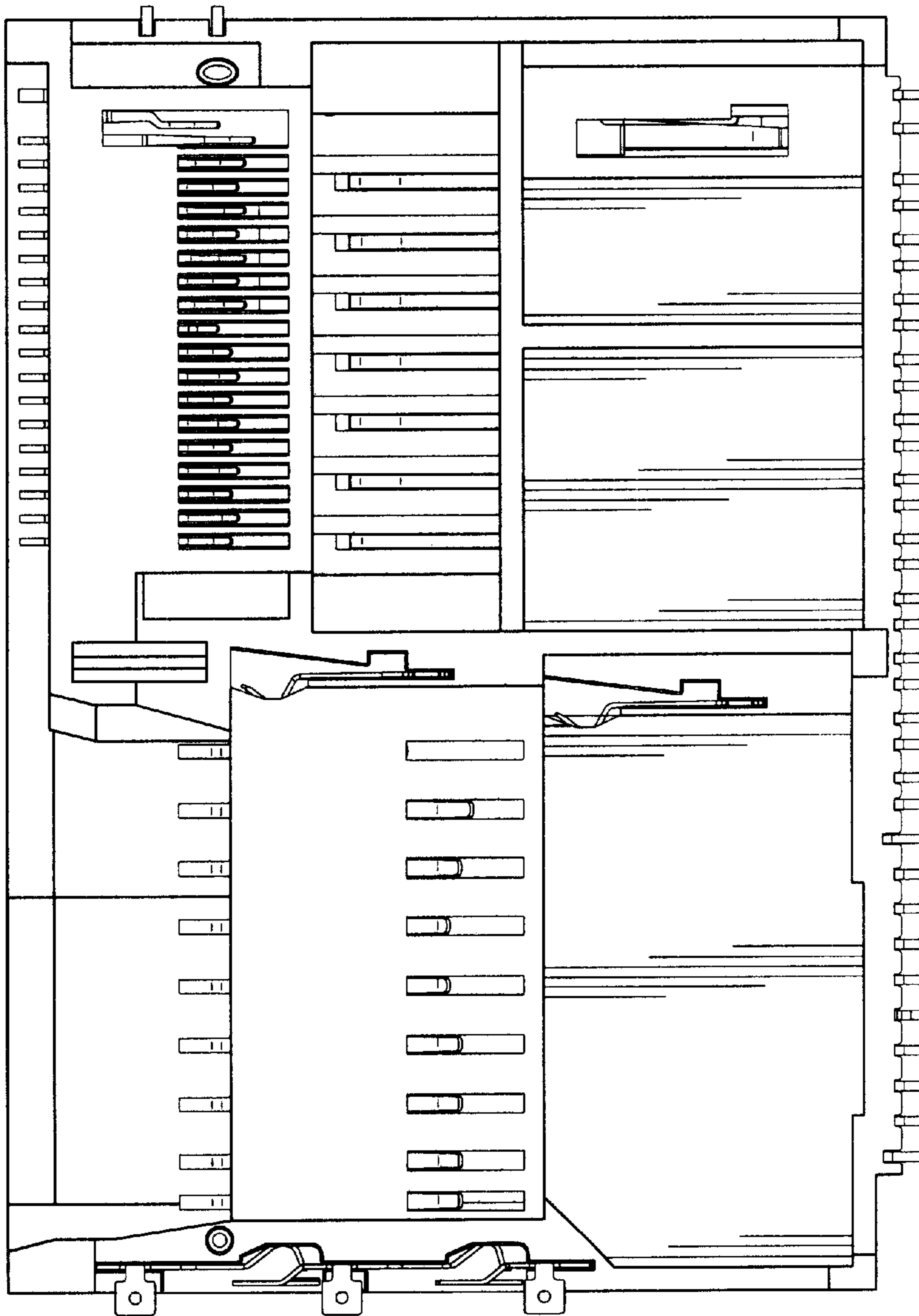


FIG. 7

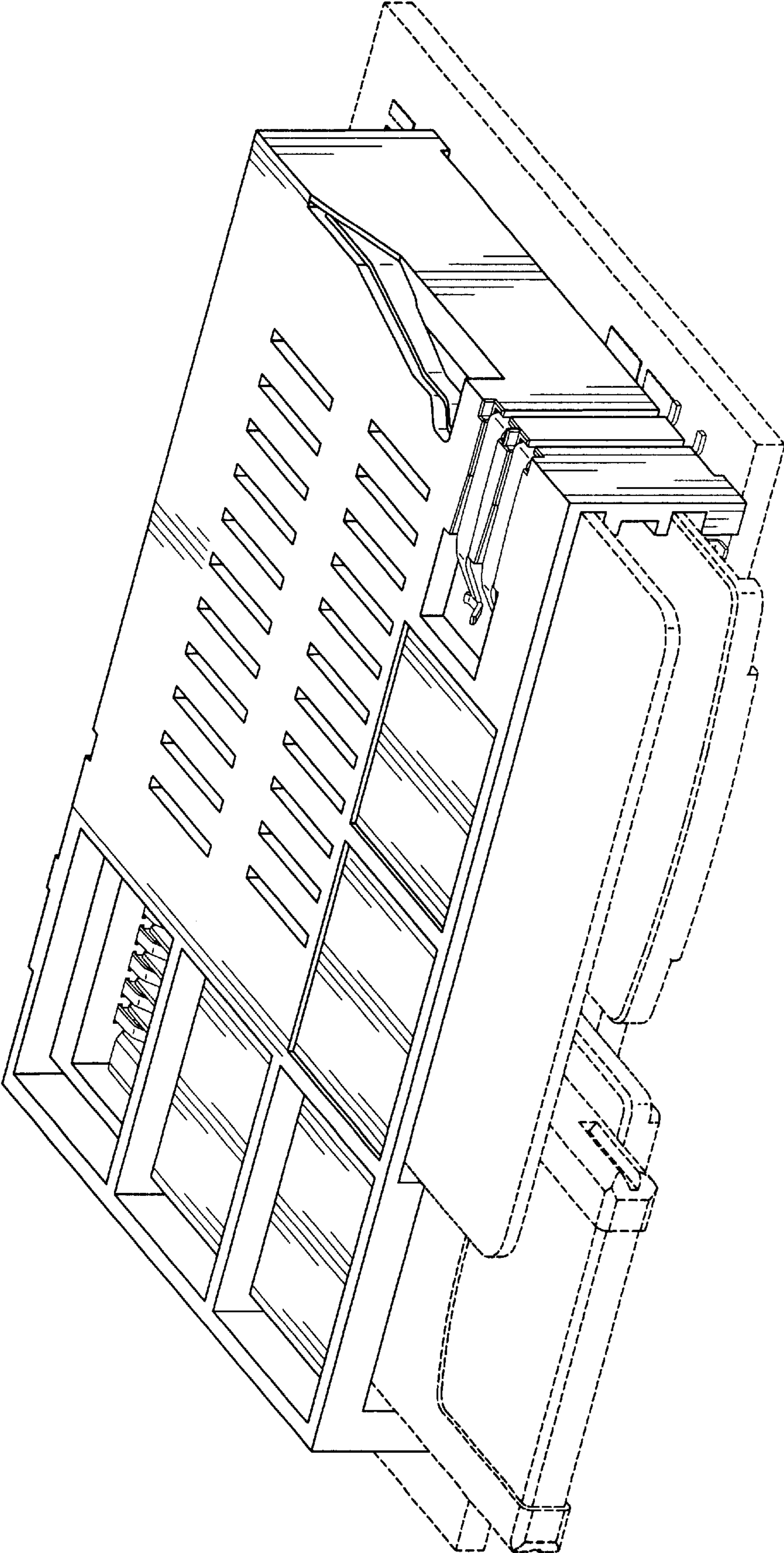


FIG. 8