



US00D536667S

(12) **United States Design Patent**  
**Chine et al.**

(10) **Patent No.:** **US D536,667 S**

(45) **Date of Patent:** **\*\* Feb. 13, 2007**

(54) **ELECTRICAL CONNECTOR**

(75) Inventors: **Min-Lung Chine**, Taipei (TW);  
**Kai-Ray Cheng**, Taipei (TW); **Jian Cheng**, Taipei (TW)

(73) Assignee: **Advanced Connectek, Inc.**, Taipei (TW)

(\*\*) Term: **14 Years**

(21) Appl. No.: **29/247,250**

(22) Filed: **Jun. 8, 2006**

(30) **Foreign Application Priority Data**

Nov. 25, 2005 (TW) ..... 94220529

(51) **LOC (8) Cl.** ..... **13-03**

(52) **U.S. Cl.** ..... **D13/133**

(58) **Field of Classification Search** ..... D13/133,  
D13/146, 154, 184, 199; 381/384, 394; 439/79,  
439/188, 278, 607, 668, 894

See application file for complete search history.

(56) **References Cited**

**U.S. PATENT DOCUMENTS**

5,797,768 A \* 8/1998 Francaviglia ..... 439/567

D431,528 S \* 10/2000 Zhu et al. .... D13/133

6,322,397 B1 \* 11/2001 Zhang ..... 439/668

D461,770 S \* 8/2002 Ma et al. .... D13/133  
6,461,198 B1 \* 10/2002 Chao ..... 439/668  
D494,137 S \* 8/2004 Fang ..... D13/133  
2005/0124220 A1 \* 6/2005 Wang ..... 439/607  
2006/0160427 A1 \* 7/2006 Yin ..... 439/668

\* cited by examiner

*Primary Examiner*—Prabhakar Deshmukh

*Assistant Examiner*—Daniel Bui

(74) *Attorney, Agent, or Firm*—Pai Patent & Trademark Law Firm; Chao-Chang David Pai

(57) **CLAIM**

The ornamental design for an electrical connector, as shown.

**DESCRIPTION**

FIG. 1 is a perspective view of an electrical connector, showing our new design;

FIG. 2 is a front elevation view thereof;

FIG. 3 is a rear elevation view thereof;

FIG. 4 is a top plan view thereof;

FIG. 5 is a bottom plan view thereof;

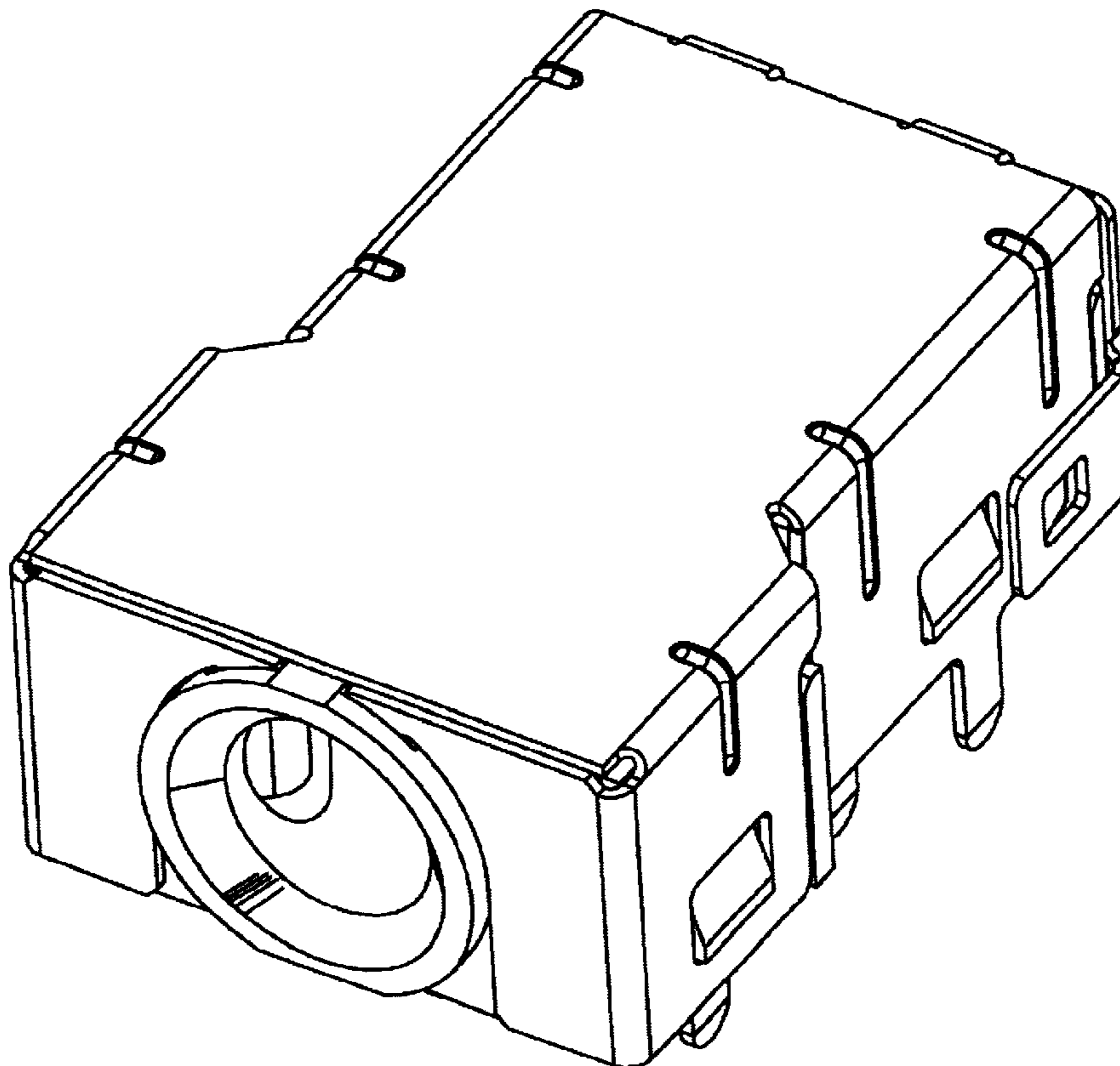
FIG. 6 is a left elevation view thereof;

FIG. 7 is a right elevation view thereof;

FIG. 8 is a cross-sectional view thereof, taken along line 8—8 in FIG. 4; and,

FIG. 9 is a cross-sectional view thereof, taken along line 9—9 in FIG. 7.

**1 Claim, 5 Drawing Sheets**



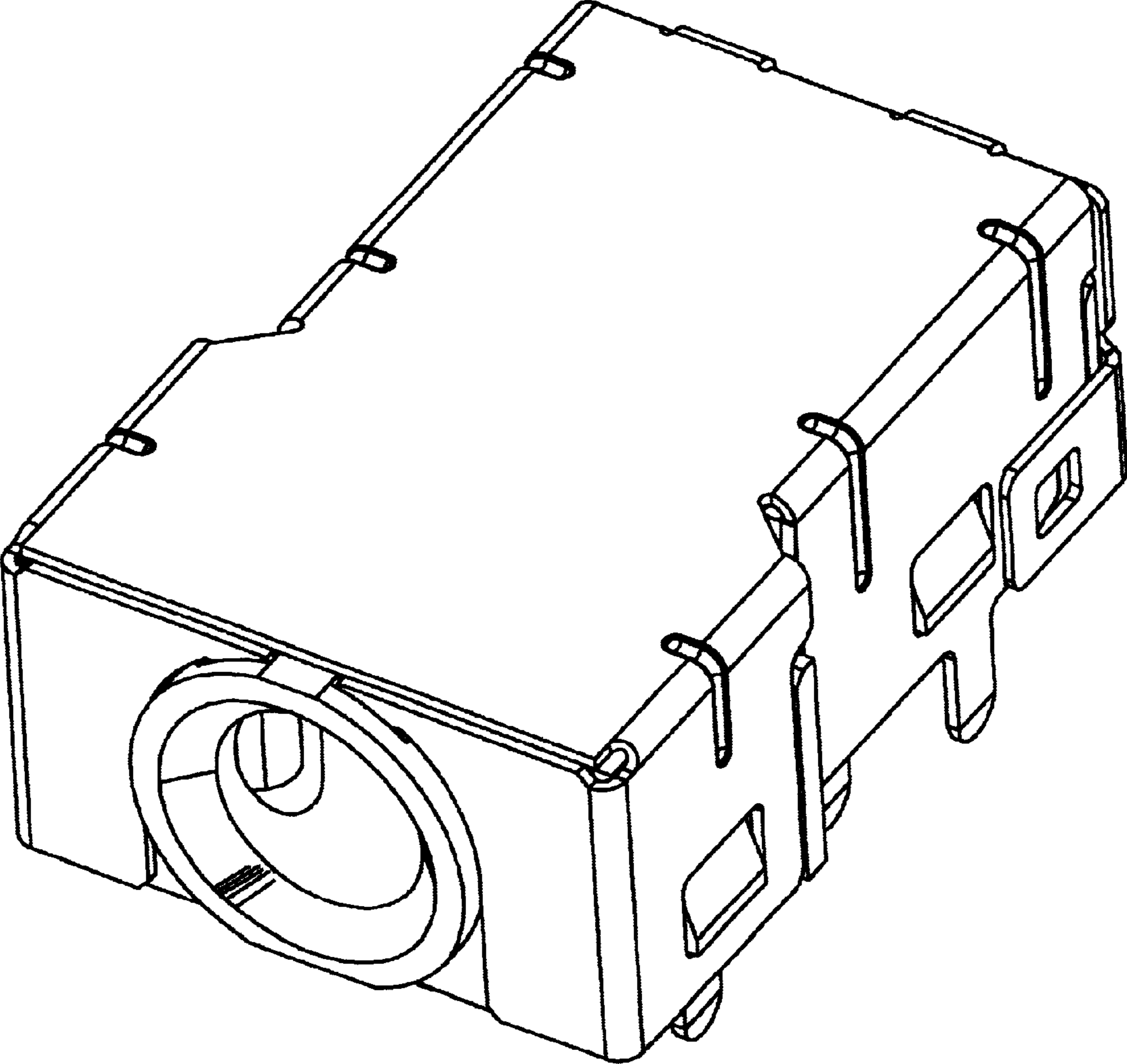


FIG.1

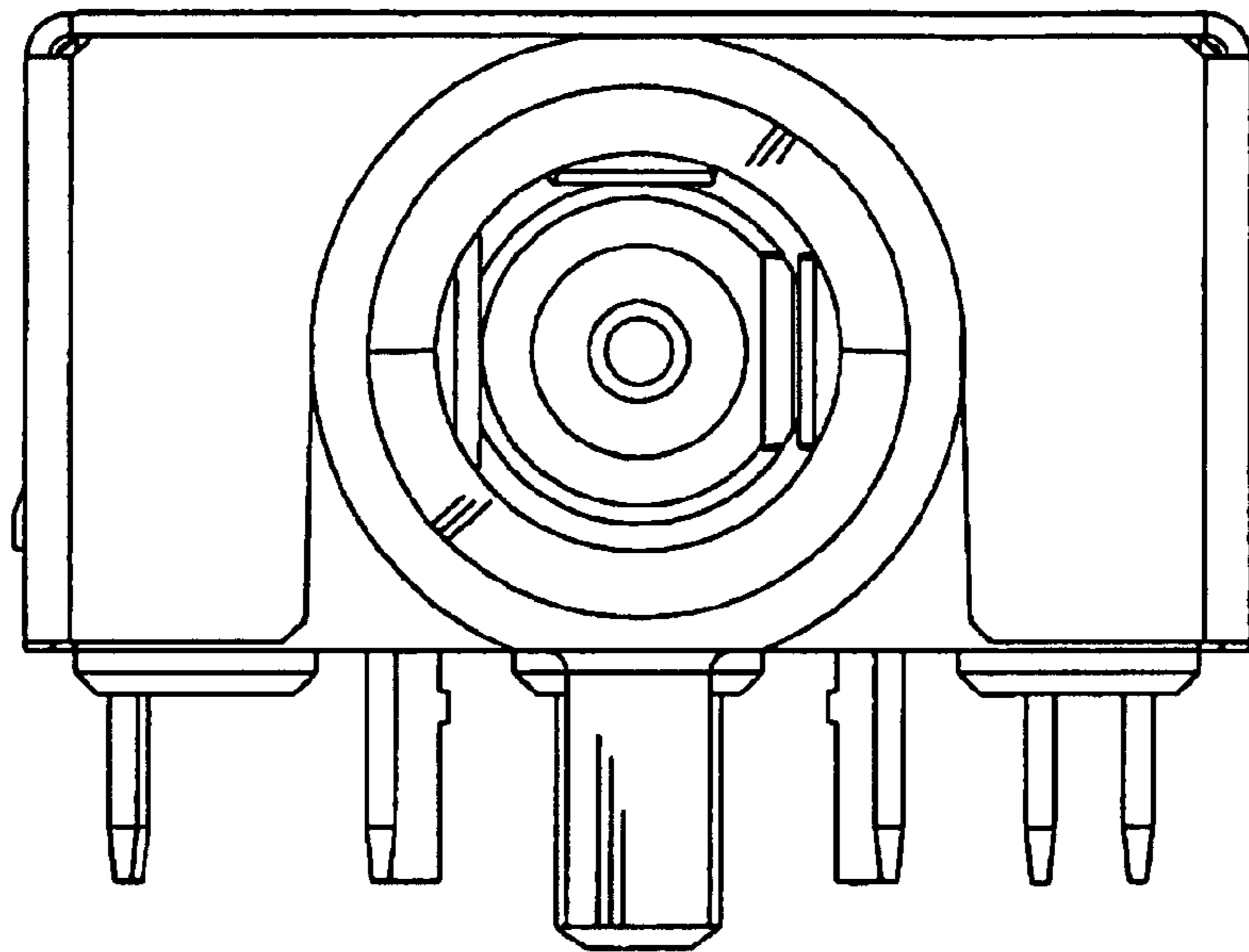


FIG. 2

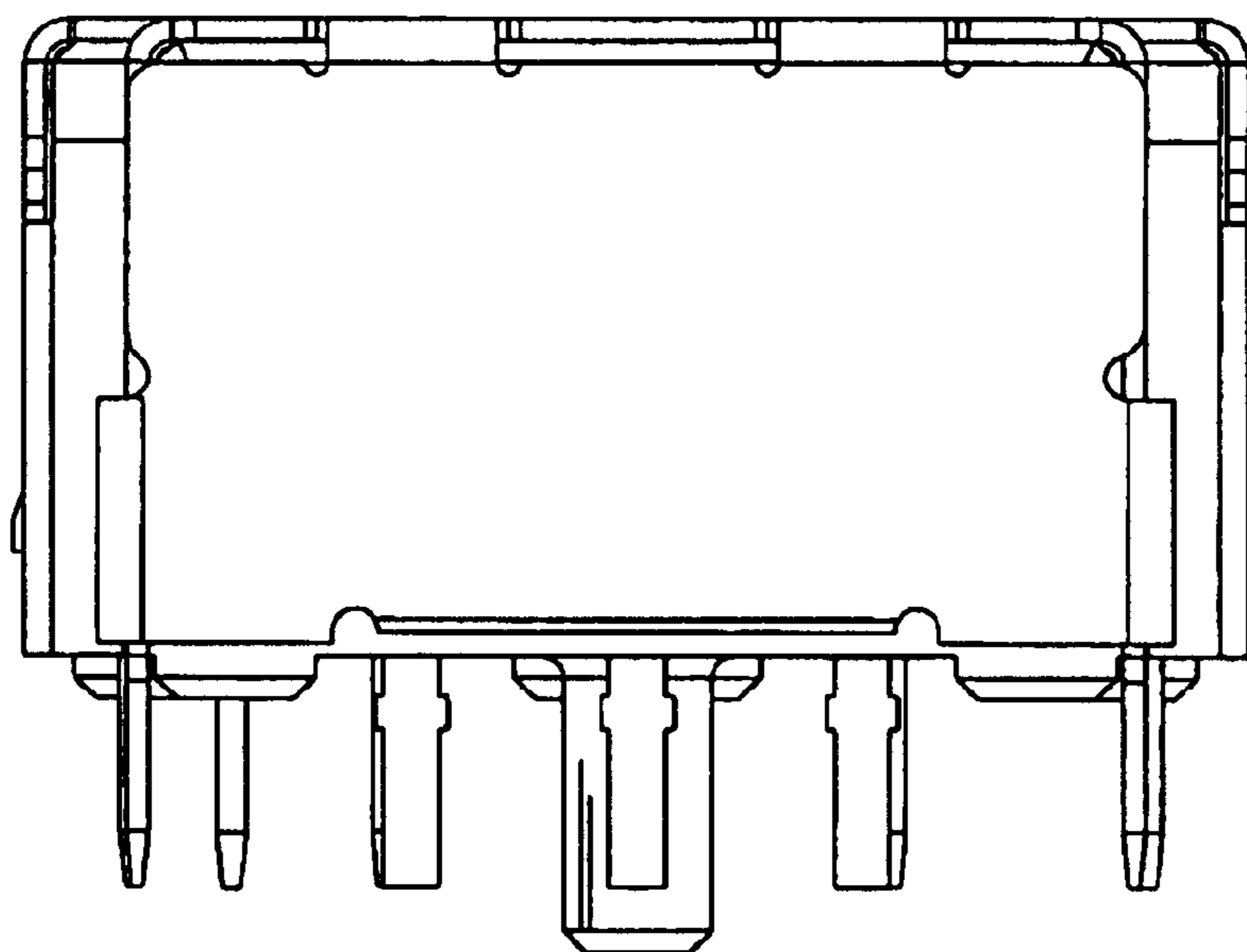


FIG. 3

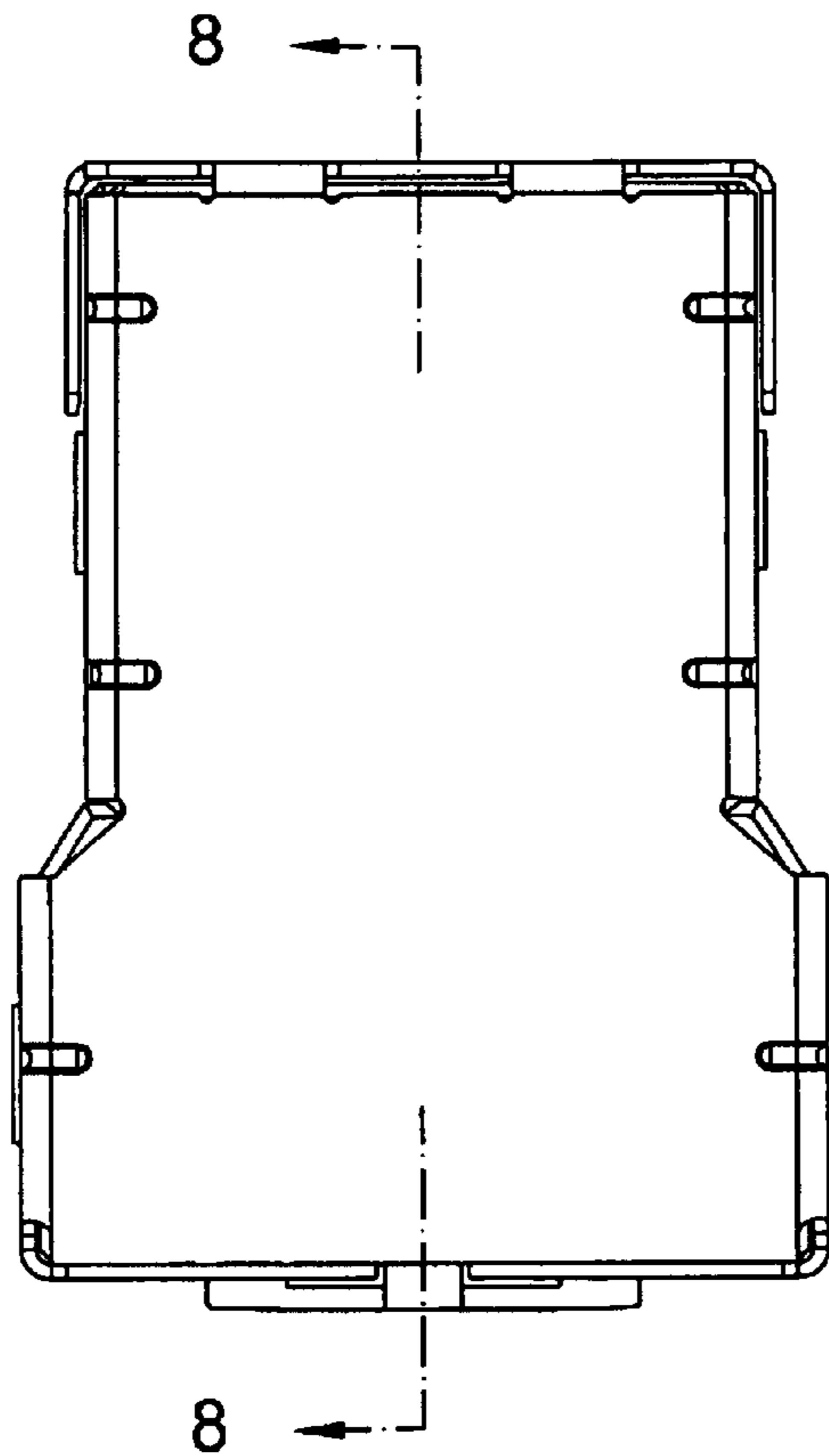


FIG.4

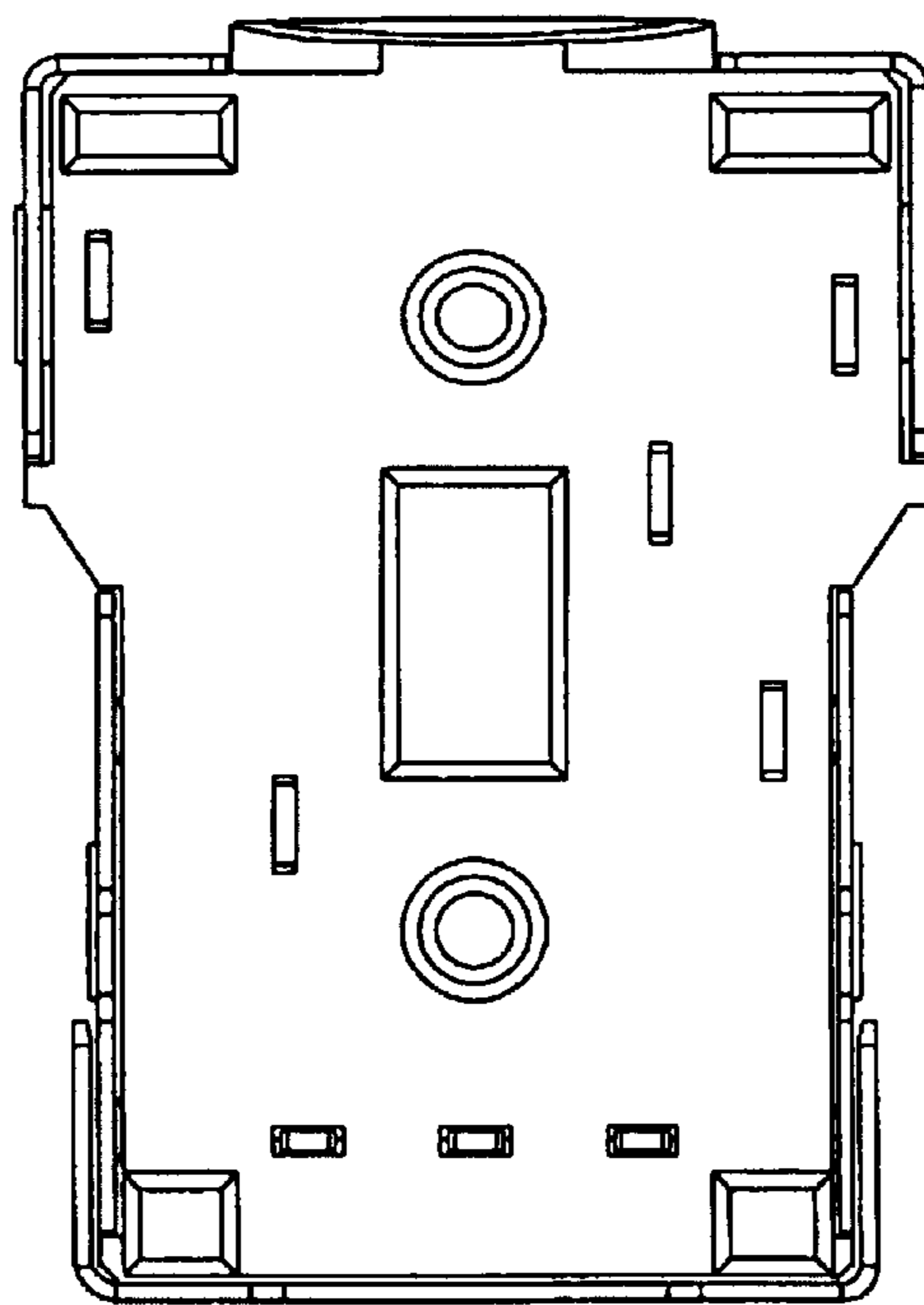


FIG.5

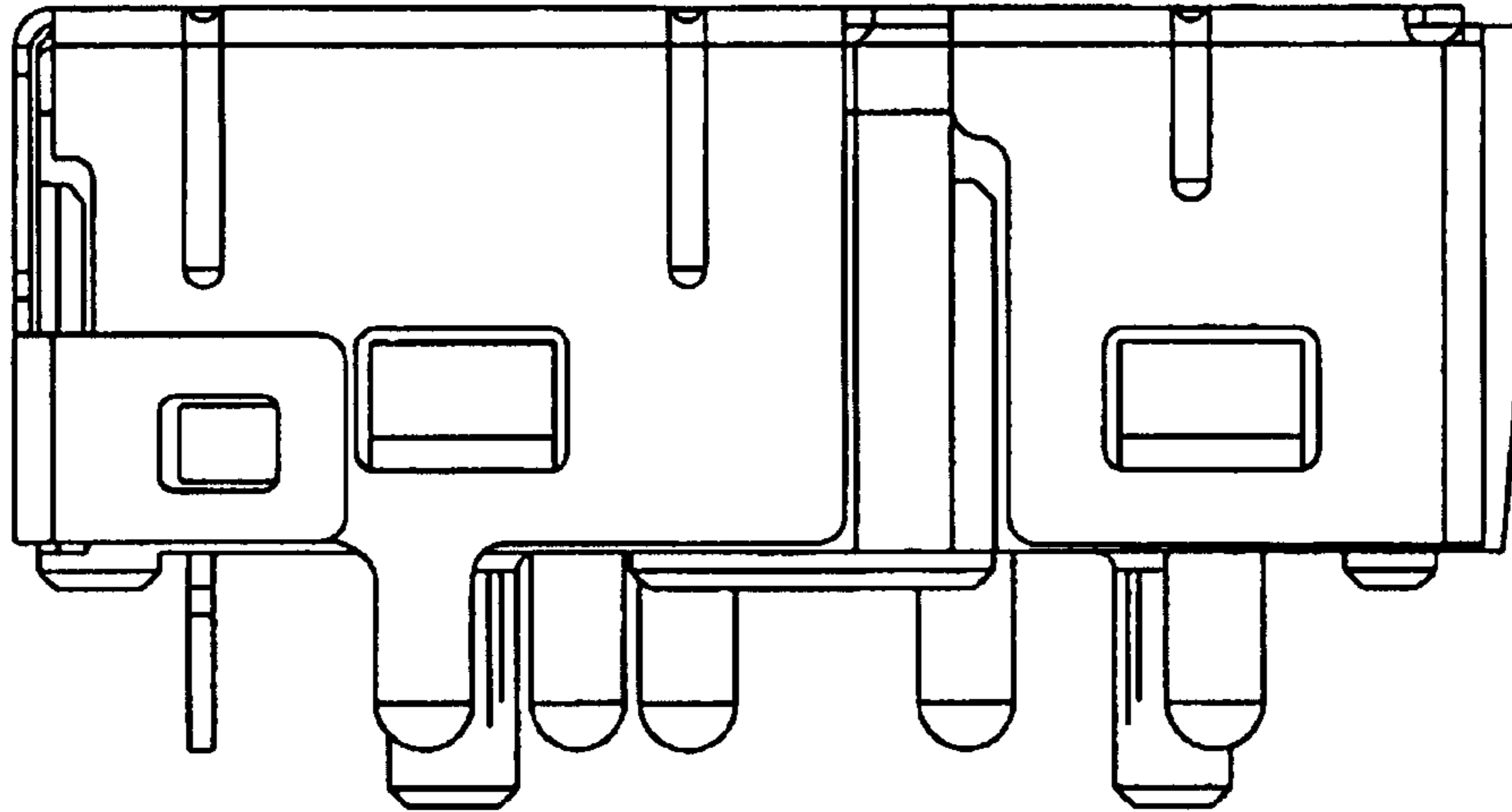


FIG. 6

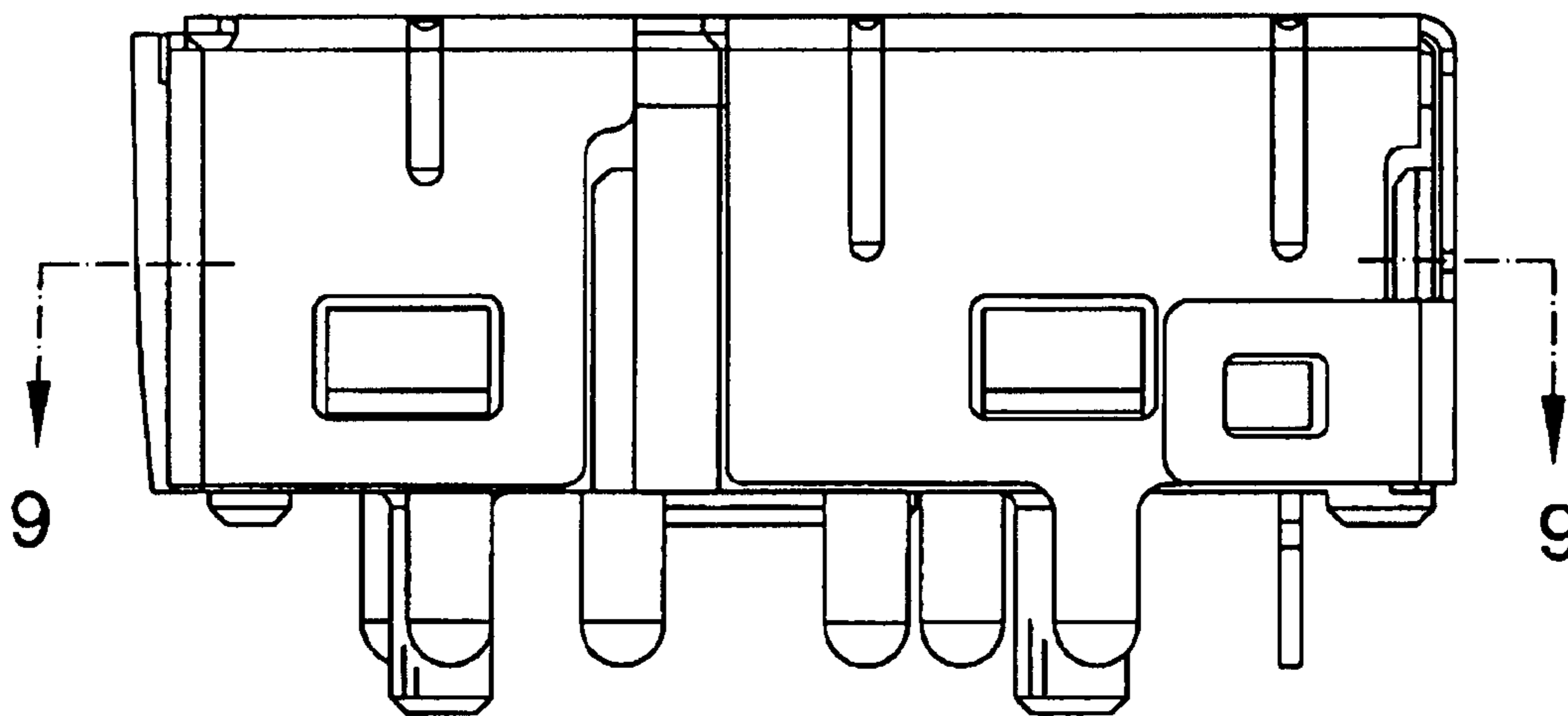


FIG. 7

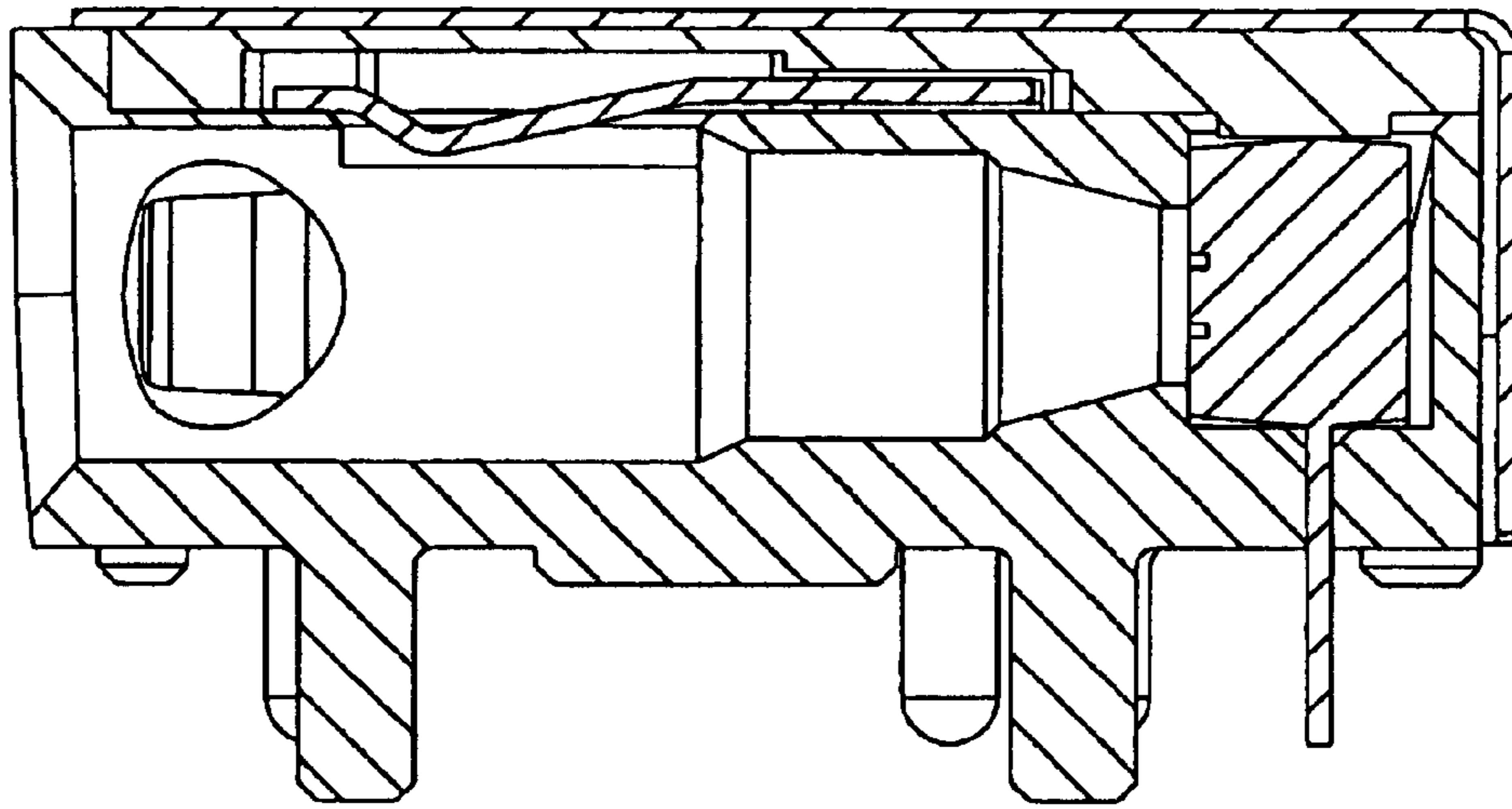


FIG. 8

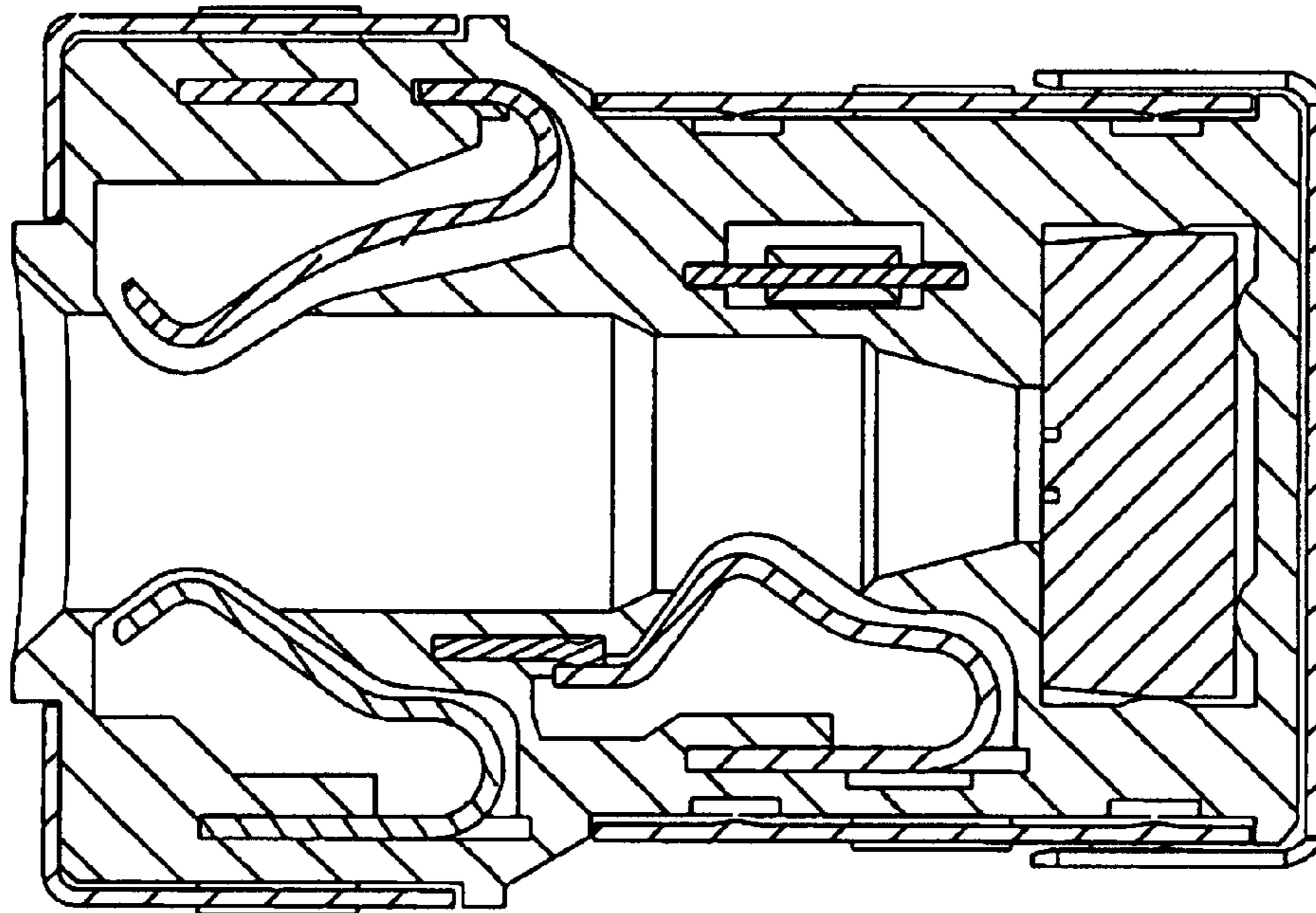


FIG. 9