

US00D536665S

(12) **United States Design Patent**
Solland

(10) **Patent No.:** **US D536,665 S**

(45) **Date of Patent:** **** Feb. 13, 2007**

(54) **AUDIO AND CHARGING STATION FOR A
HANDHELD ELECTRONIC DEVICE**

(75) Inventor: **Kurt Solland**, Westlake Village, CA
(US)

(73) Assignee: **Harman International Industries,
Incorporated**, Northridge, CA (US)

(**) Term: **14 Years**

(21) Appl. No.: **29/252,434**

(22) Filed: **Jan. 23, 2006**

(51) **LOC (8) Cl.** **13-02**

(52) **U.S. Cl.** **D13/108; D14/216**

(58) **Field of Classification Search** D13/107-110,
D13/118-119, 184; D14/216, 251, 253, 432,
D14/434; 320/107-115; 455/573

See application file for complete search history.

(56) **References Cited**

U.S. PATENT DOCUMENTS

D215,447 S	*	10/1969	Canney	D13/110
D260,877 S	*	9/1981	Scott et al.	D13/110
D460,064 S	*	7/2002	Solland	D14/207
D467,238 S	*	12/2002	Hlas et al.	D14/216
D467,241 S		12/2002	Solland		
D467,900 S	*	12/2002	Solland	D14/216
D467,902 S		12/2002	Solland		
D478,571 S		8/2003	Solland		
D482,653 S	*	11/2003	Cho	D13/110

D483,741 S	*	12/2003	Olson et al.	D14/216
D501,191 S	*	1/2005	Siebke	D14/149
D508,458 S	*	8/2005	Solland et al.	D13/108
D509,183 S		9/2005	Solland et al.		
D510,066 S	*	9/2005	Hickey et al.	D13/108
D514,092 S	*	1/2006	Christianson	D14/216
D521,983 S	*	5/2006	Kuo	D14/216
D524,243 S	*	7/2006	Lee	D13/108

* cited by examiner

Primary Examiner—Alan P. Douglas

Assistant Examiner—Rosemary K. Tarcza

(74) *Attorney, Agent, or Firm*—Plumsea Law Group, LLC

(57) **CLAIM**

The ornamental design for an audio and charging station for a handheld electronic device, as shown and described.

DESCRIPTION

FIG. 1 is a perspective view of an audio and charging station for a handheld electronic device showing my new design; FIG. 2 is a front elevational view, the rear elevational view being identical;

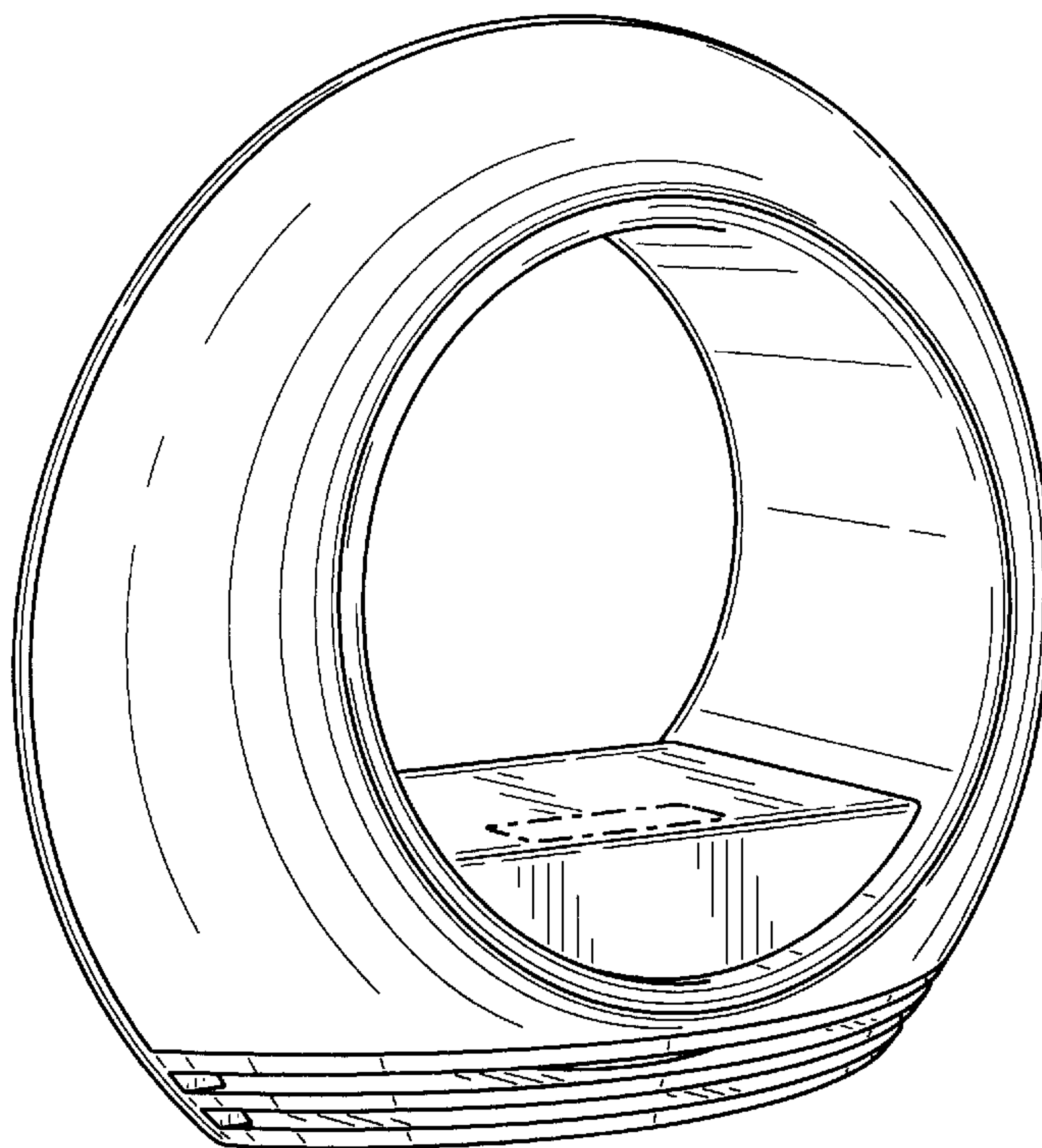
FIG. 3 is a top plan view thereof;

FIG. 4 is a side elevational view, the opposite side elevational being identical; and,

FIG. 5 is a perspective view shown with a handheld electronic device in broken lines.

The broken line showings of the rectangle in FIG. 1, and the handheld electronic device in FIG. 5 are for illustrative purposes only and form no part of the claimed design.

1 Claim, 4 Drawing Sheets



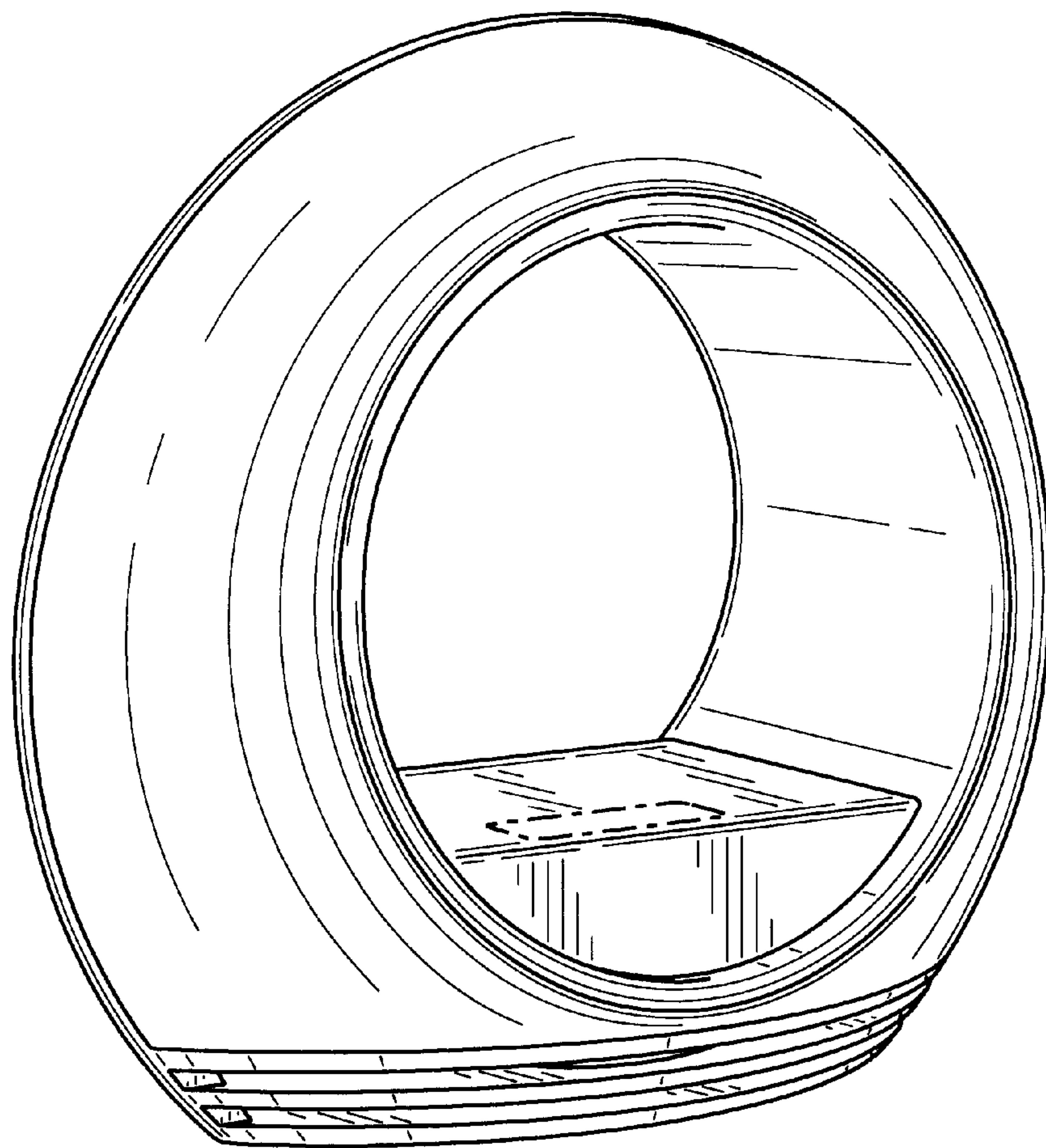


FIG. 1

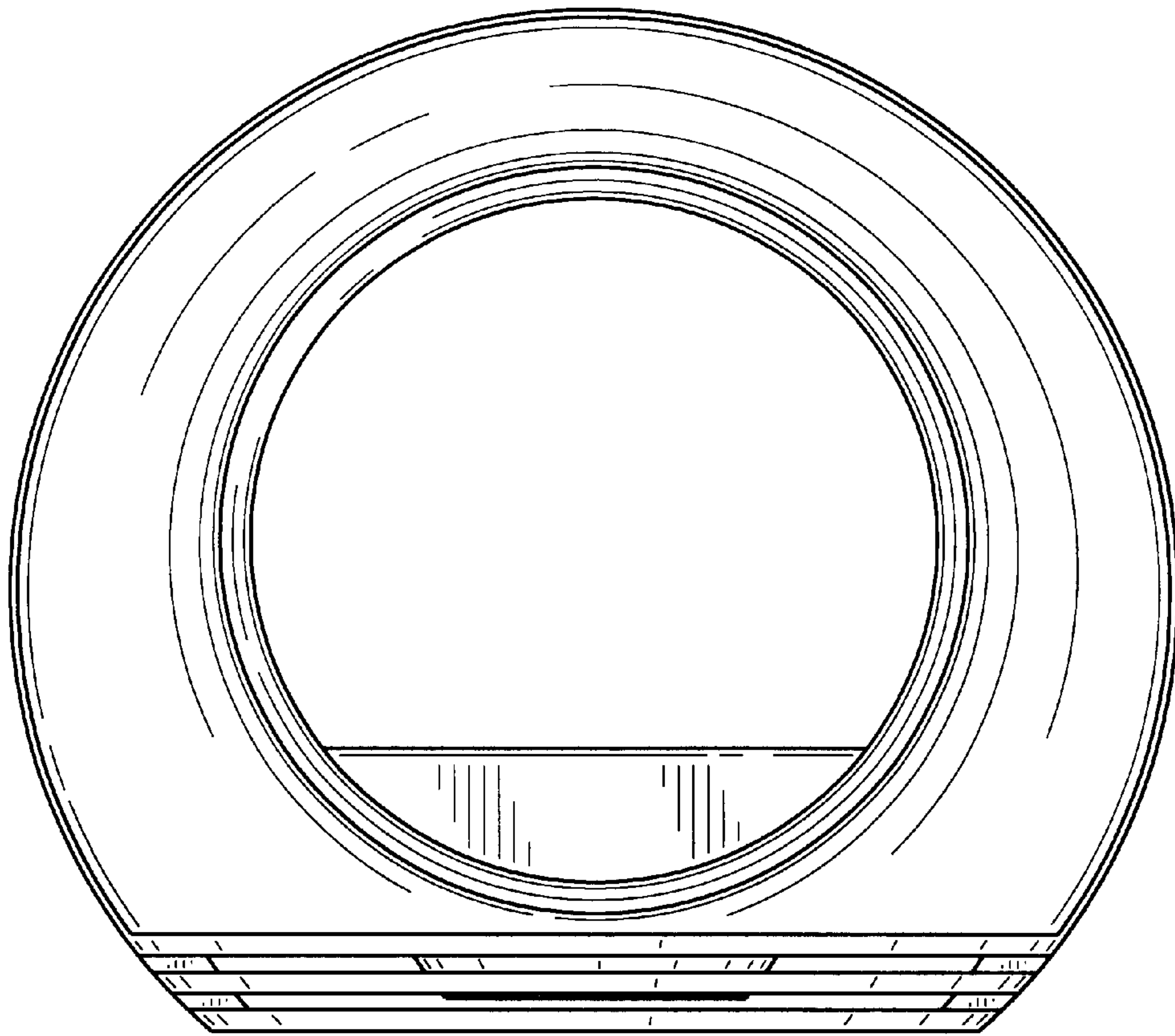


FIG. 2

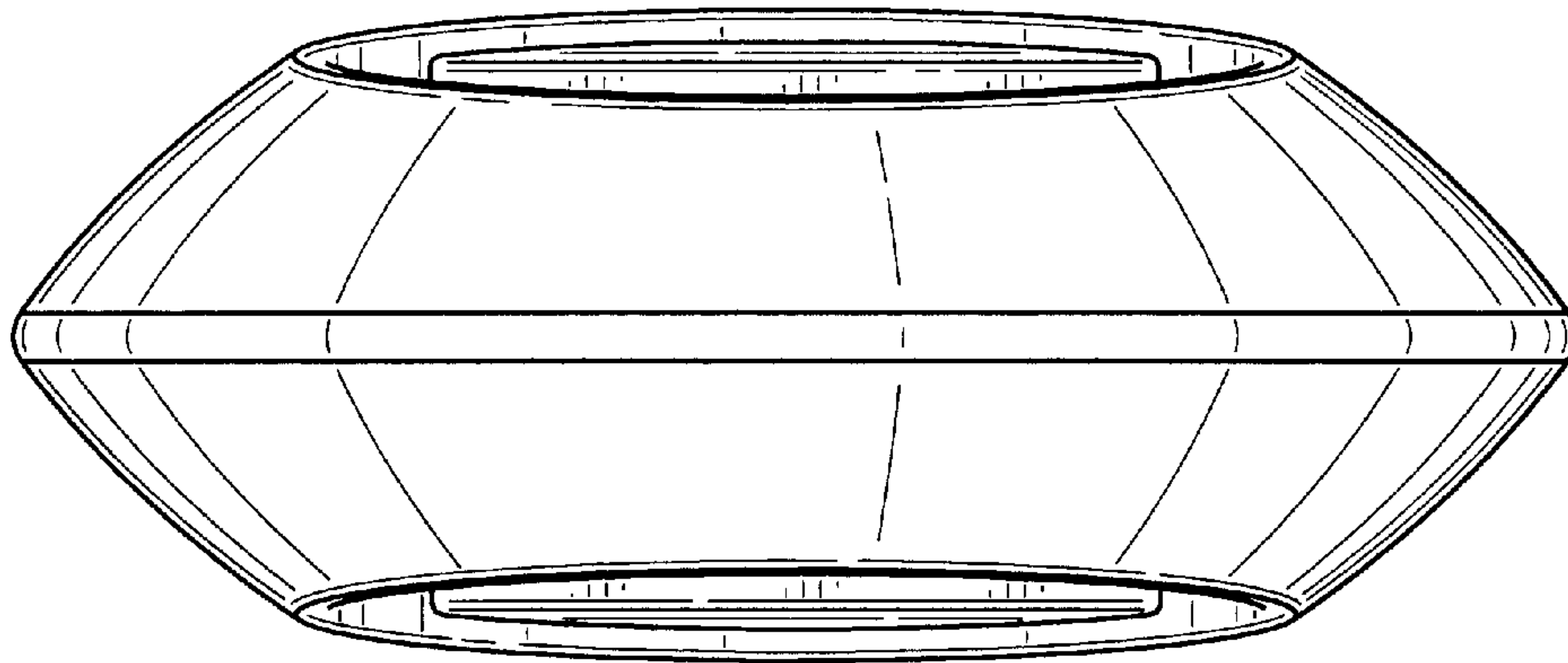


FIG. 3

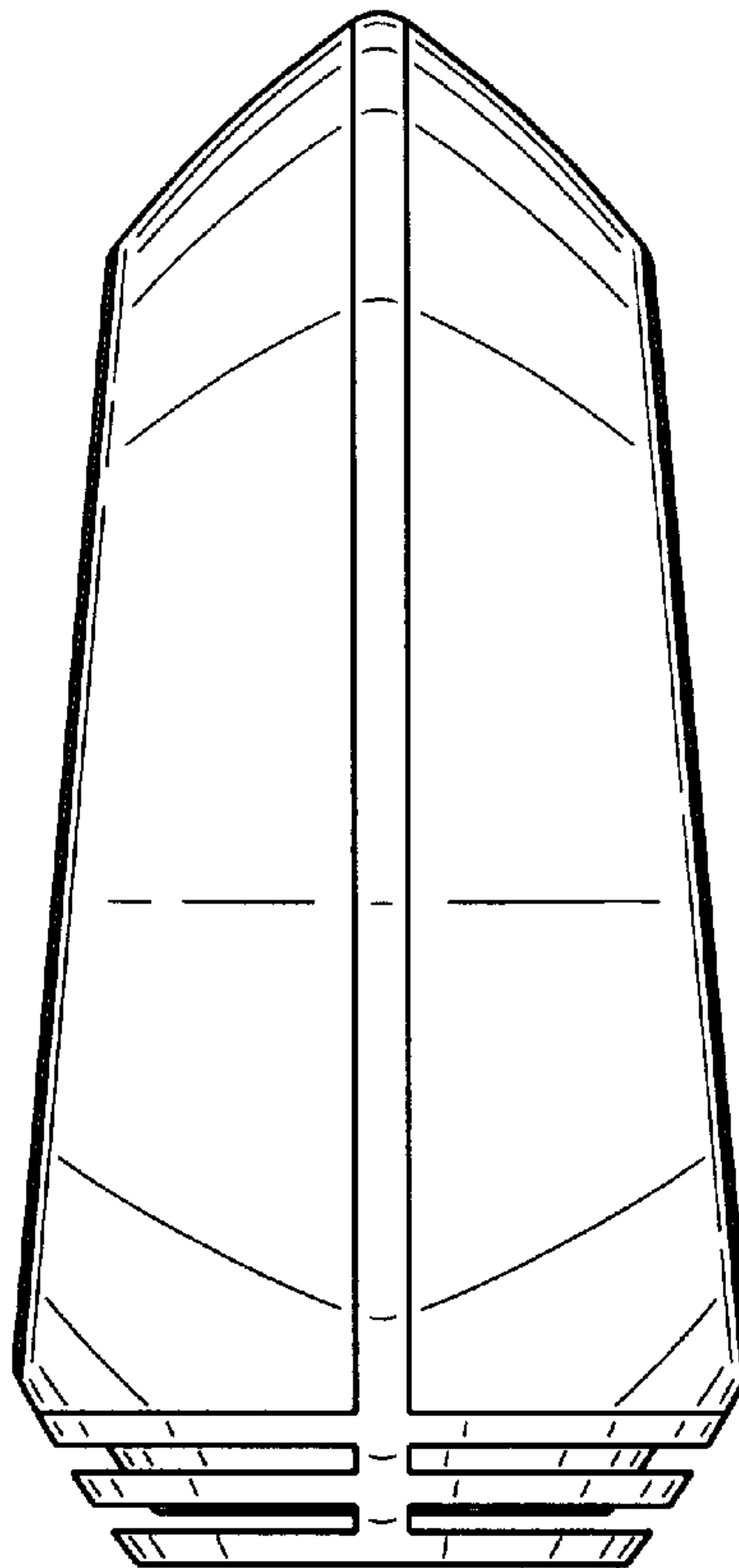


FIG. 4

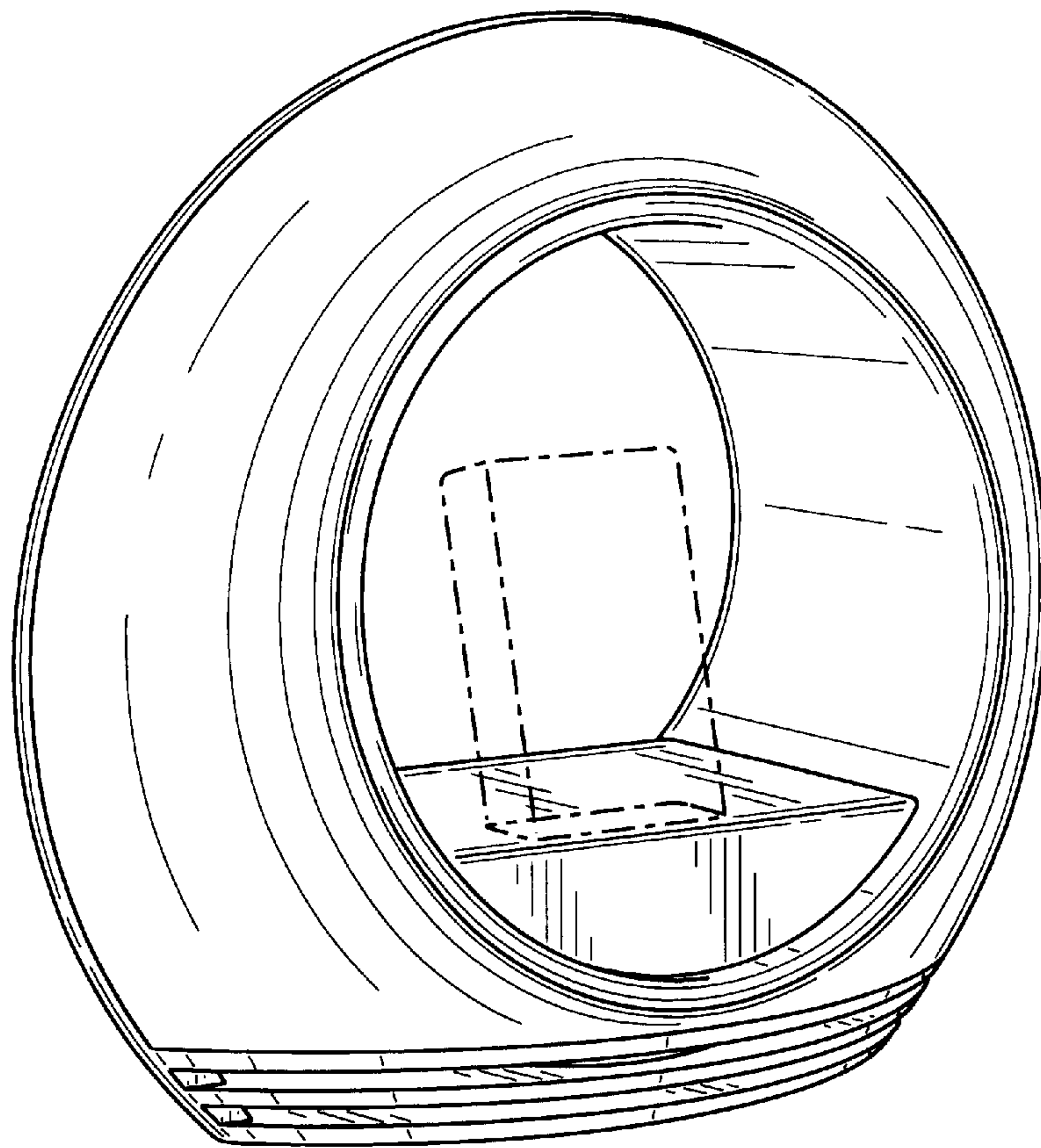


FIG. 5