



US00D536661S

(12) **United States Design Patent**
Maxwell

(10) **Patent No.:** **US D536,661 S**

(45) **Date of Patent:** **** Feb. 13, 2007**

(54) **TIRE TREAD**

D525,190 S * 7/2006 Oohigashi D12/544
D527,703 S * 9/2006 Oohigashi D12/579

(75) Inventor: **Paul Bryan Maxwell**, Kent, OH (US)

OTHER PUBLICATIONS

(73) Assignee: **The Goodyear Tire & Rubber Company**, Akron, OH (US)

Cavalier Traction King Plus Tire. 2004 Tread Design Guide, Jan. 2004, p. 69. 4/1.*

(**) Term: **14 Years**

Toyo G-25 EDT Tire. 2004 Tread Design Guide, Jan. 2004, p. 169. 2/1.*

(21) Appl. No.: **29/251,369**

* cited by examiner

(22) Filed: **Jan. 6, 2006**

Primary Examiner—Robert M. Spear

(51) **LOC (8) Cl.** **12-15**

(74) *Attorney, Agent, or Firm*—Richard B. O’Planick

(52) **U.S. Cl.** **D12/579; D12/581; D12/595**

(57) **CLAIM**

(58) **Field of Classification Search** D12/544,
D12/546, 560, 561, 566, 567, 579, 581, 596,
D12/597, 602, 603, 900, 901; 152/209.1,
152/209.12, 109.18, 209.25

The ornamental design for a tire tread, as shown and described.

See application file for complete search history.

DESCRIPTION

(56) **References Cited**

FIG. 1 is a perspective view of a tire tread showing my new design, it being understood that the pattern repeats uniformly throughout the circumference of the tread;

U.S. PATENT DOCUMENTS

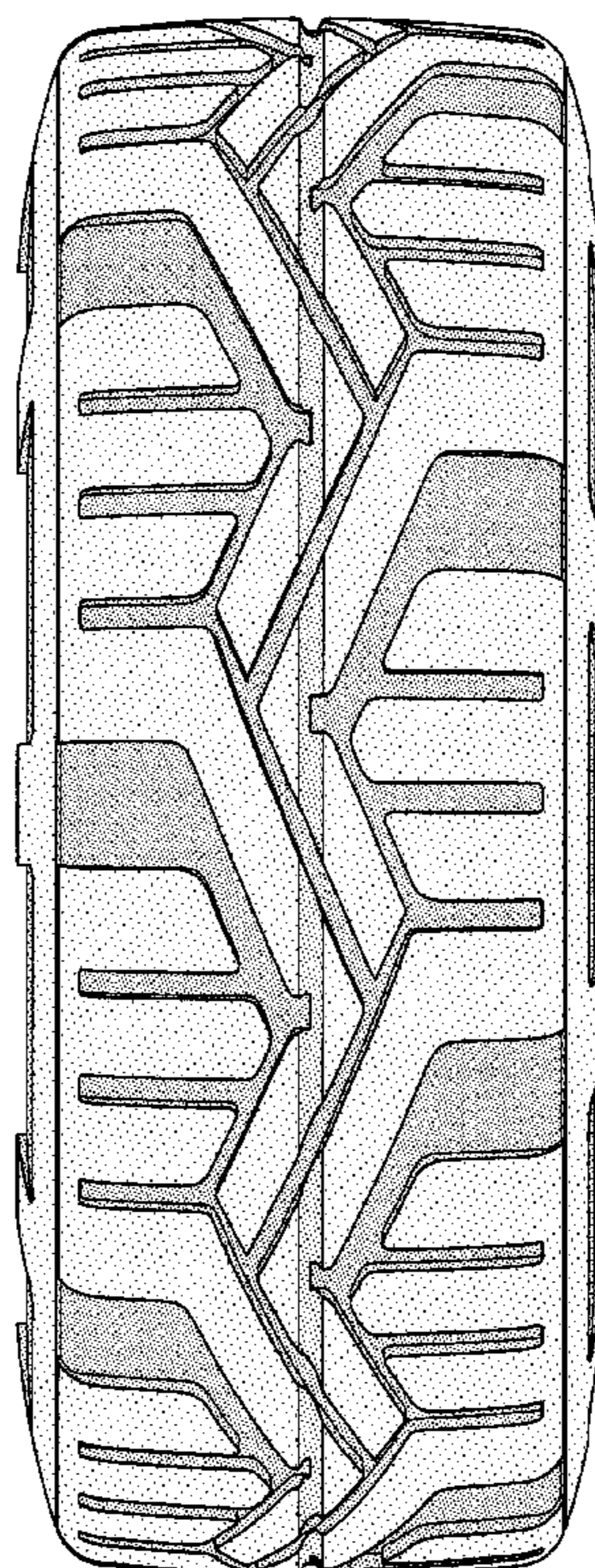
FIG. 2 is a front elevational view thereof;

1,996,418	A	*	4/1935	Hargraves	152/209.1
D444,108	S	*	6/2001	Maxwell	D12/579
6,298,890	B1	*	10/2001	Binsfeld	152/209.16
D462,935	S		9/2002	Maxwell	D12/544
D488,430	S		4/2004	Maxwell	D12/544
D492,644	S		7/2004	Maxwell	D12/579
D492,931	S		7/2004	Maxwell et al.	D12/579
D496,324	S		9/2004	Graas et al.	D12/542
D496,328	S		9/2004	Shondel et al.	D12/579
6,845,796	B2	*	1/2005	Katoh et al.	152/209.1

FIG. 3 is a right side elevational view thereof; the other side being a mirror image thereof; and,
FIG. 4 is an enlarged fragmentary front elevational view thereof.

In the drawings, the broken lines defining the tire inner bead are for illustrative purposes only and form no part of the claimed design.

1 Claim, 4 Drawing Sheets



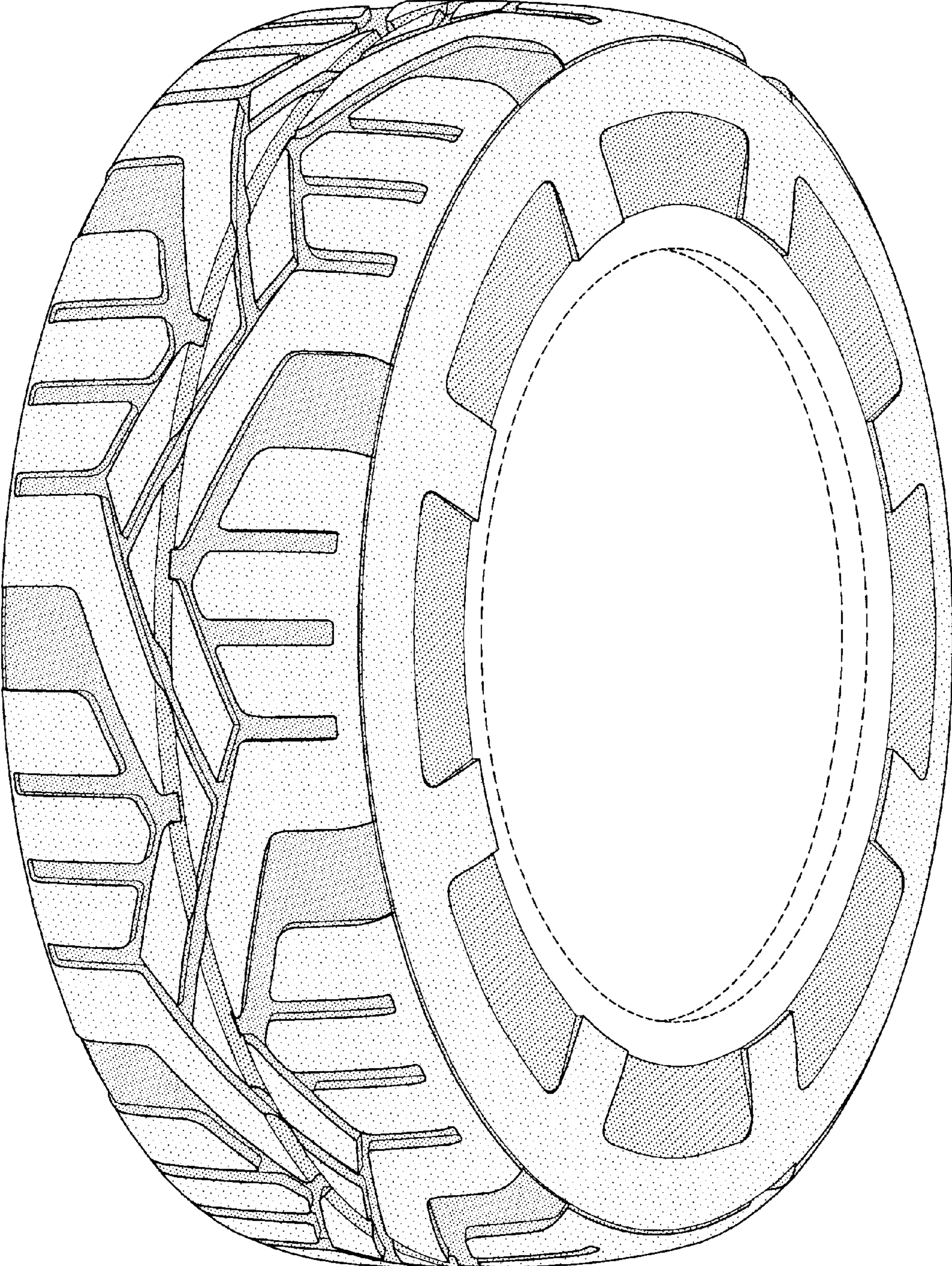


FIG-1

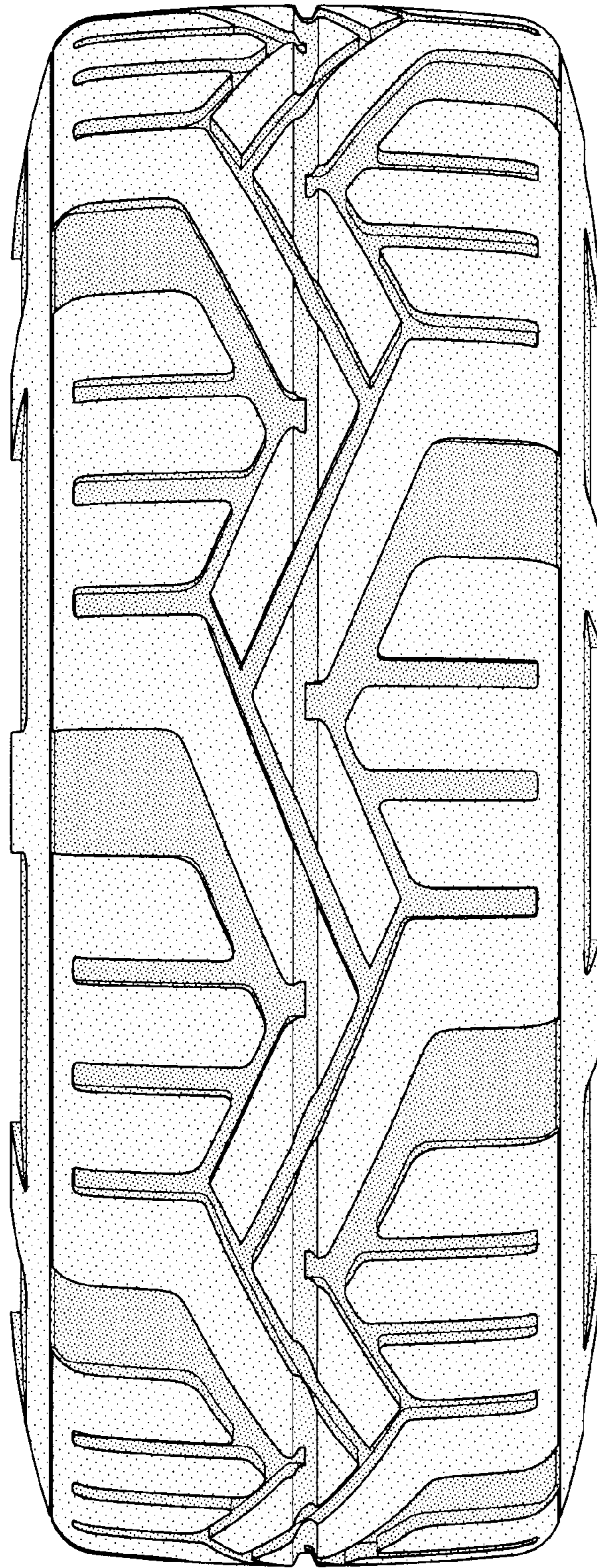


FIG-2

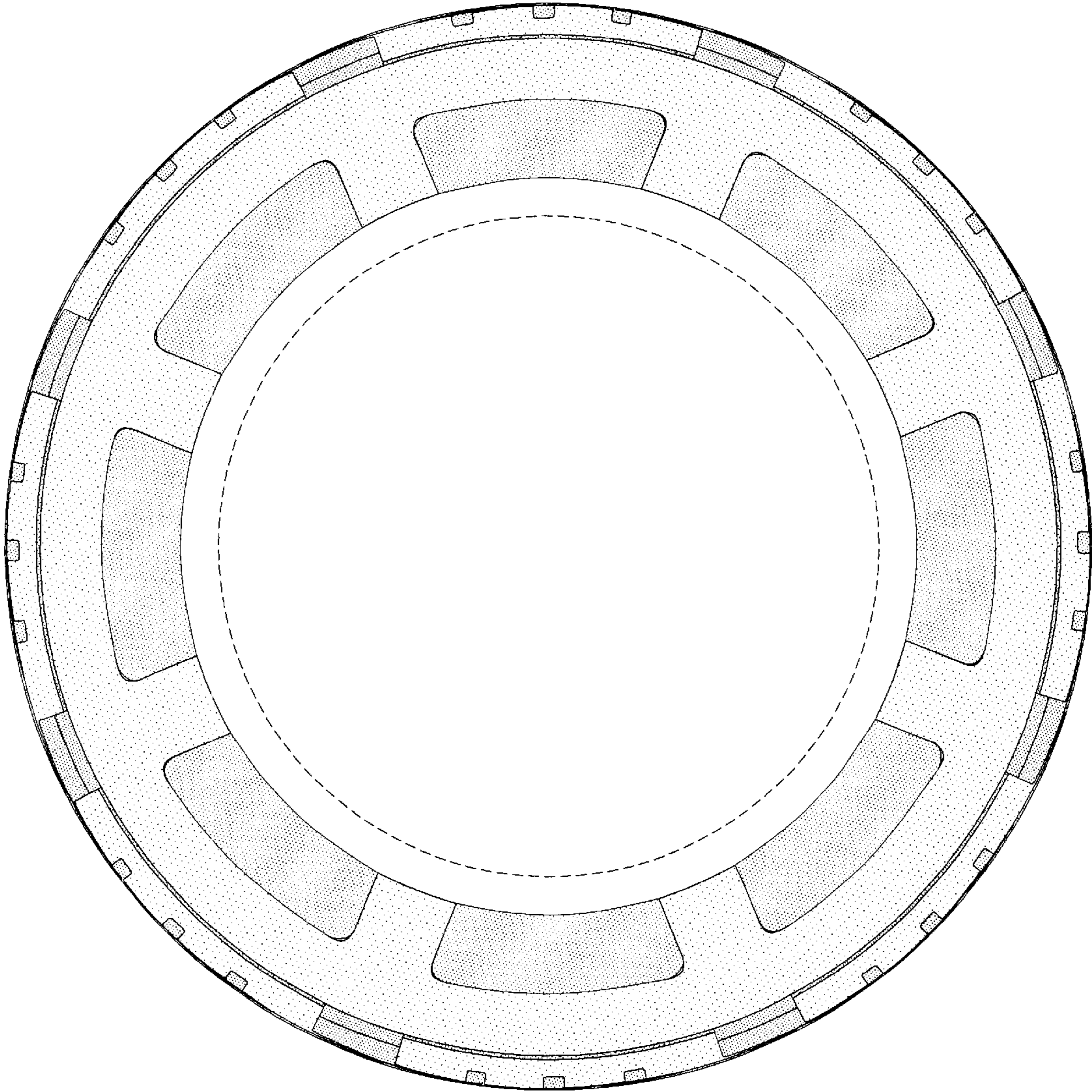


FIG-3

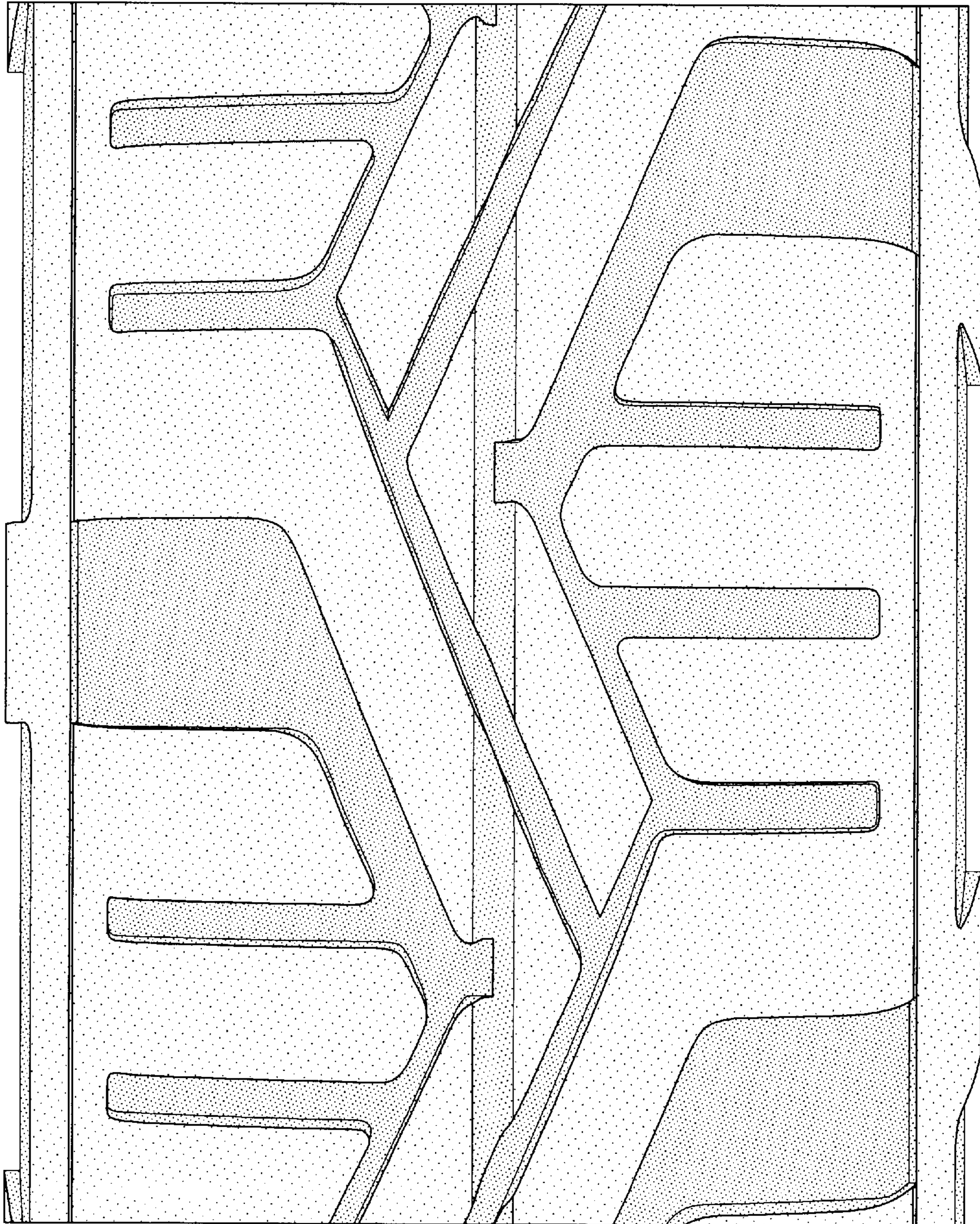


FIG-4