



US00D536658S

(12) **United States Design Patent**  
**Holmes**

(10) **Patent No.:** **US D536,658 S**

(45) **Date of Patent:** **\*\* Feb. 13, 2007**

(54) **VEHICLE DRINK HOLDER**

(76) Inventor: **William F. Holmes**, 9761 Britton Hwy.,  
Tecumseh, MI (US) 49286

(\*\*) Term: **14 Years**

(21) Appl. No.: **29/241,501**

(22) Filed: **Oct. 27, 2005**

(51) **LOC (8) Cl.** ..... **12-16**

(52) **U.S. Cl.** ..... **D12/419**

(58) **Field of Classification Search** ..... D12/415-420,  
D12/421-423; 296/37.1, 37.6, 37.8, 37.13-37.16;  
224/275-276, 42.11, 926, 539-543; 280/750-752,  
280/770, 762; 297/411.26, 411.23; 180/90;  
D22/115-116; D15/28; D7/619.1-625, 509,  
D7/523, 701

See application file for complete search history.

(56) **References Cited**

**U.S. PATENT DOCUMENTS**

- D303,420 S \* 9/1989 Huber et al. .... D22/116
- D338,138 S \* 8/1993 Miyajima ..... D7/620
- D360,396 S \* 7/1995 Collins ..... D12/419
- D409,135 S \* 5/1999 Davis ..... D12/420
- D422,182 S \* 4/2000 Miljanich ..... D7/619.1

- D425,012 S \* 5/2000 Bergin ..... D12/419
- D428,308 S \* 7/2000 Hartmann et al. .... D7/619.1
- D447,024 S \* 8/2001 Thomas ..... D7/701
- D474,944 S \* 5/2003 Cronk et al. .... D7/620
- D484,087 S \* 12/2003 Cheng et al. .... D12/420
- D511,439 S \* 11/2005 Roybal ..... D7/620
- D515,879 S \* 2/2006 Gomes et al. .... D7/620

\* cited by examiner

*Primary Examiner*—Stacia Cadmus

(74) *Attorney, Agent, or Firm*—James M. Deimen

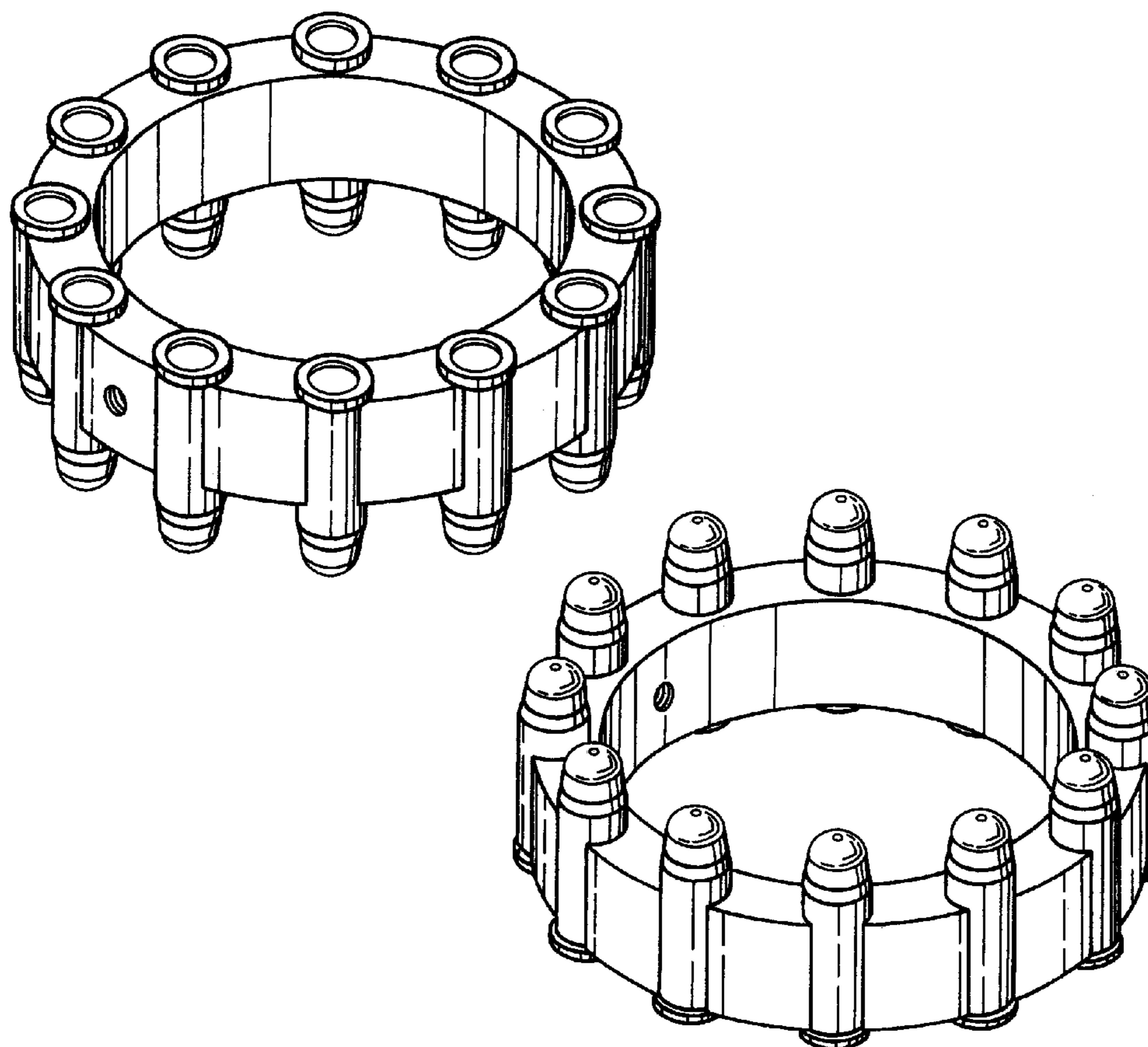
(57) **CLAIM**

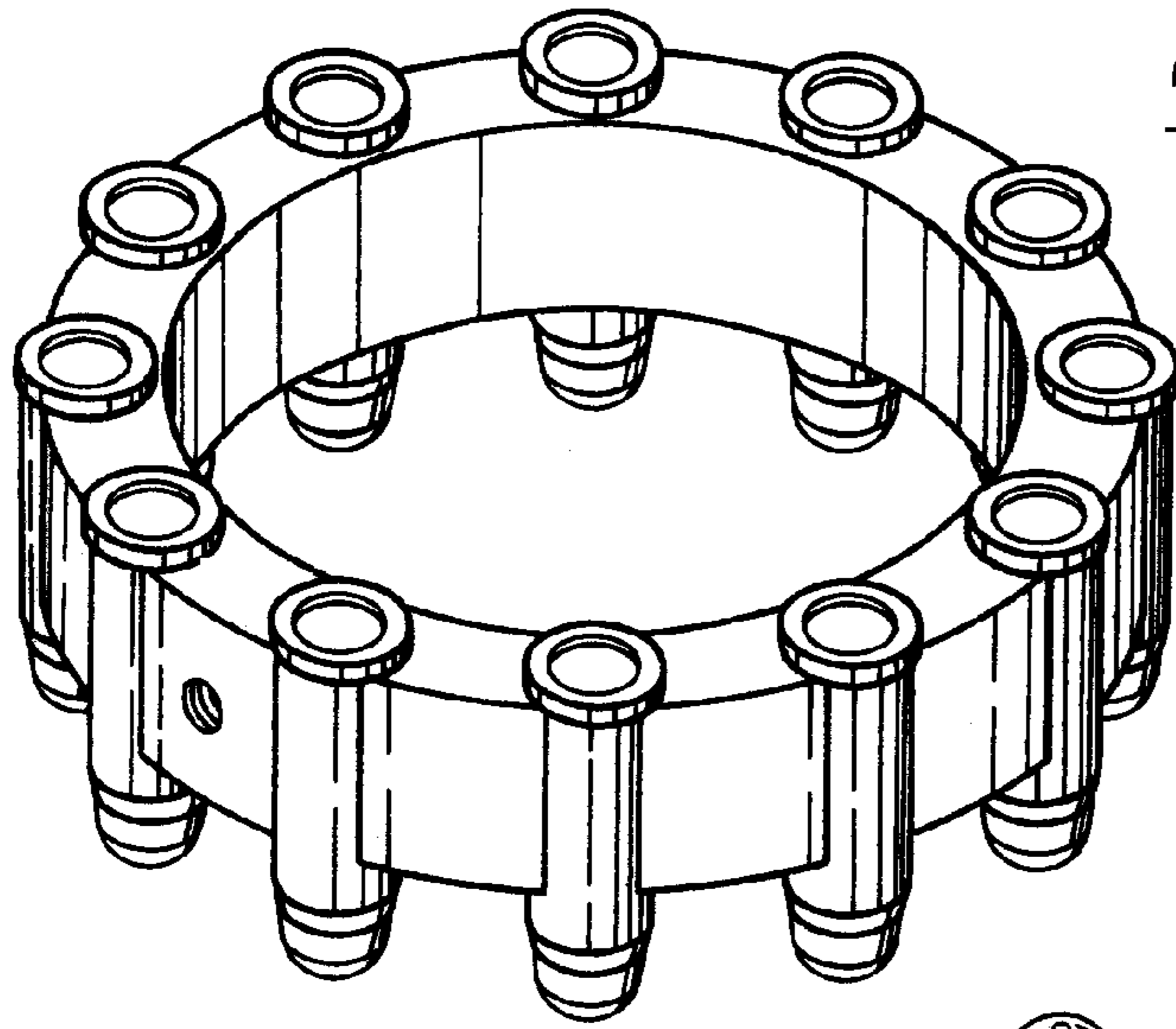
The ornamental design for a vehicle drink holder, as shown and described.

**DESCRIPTION**

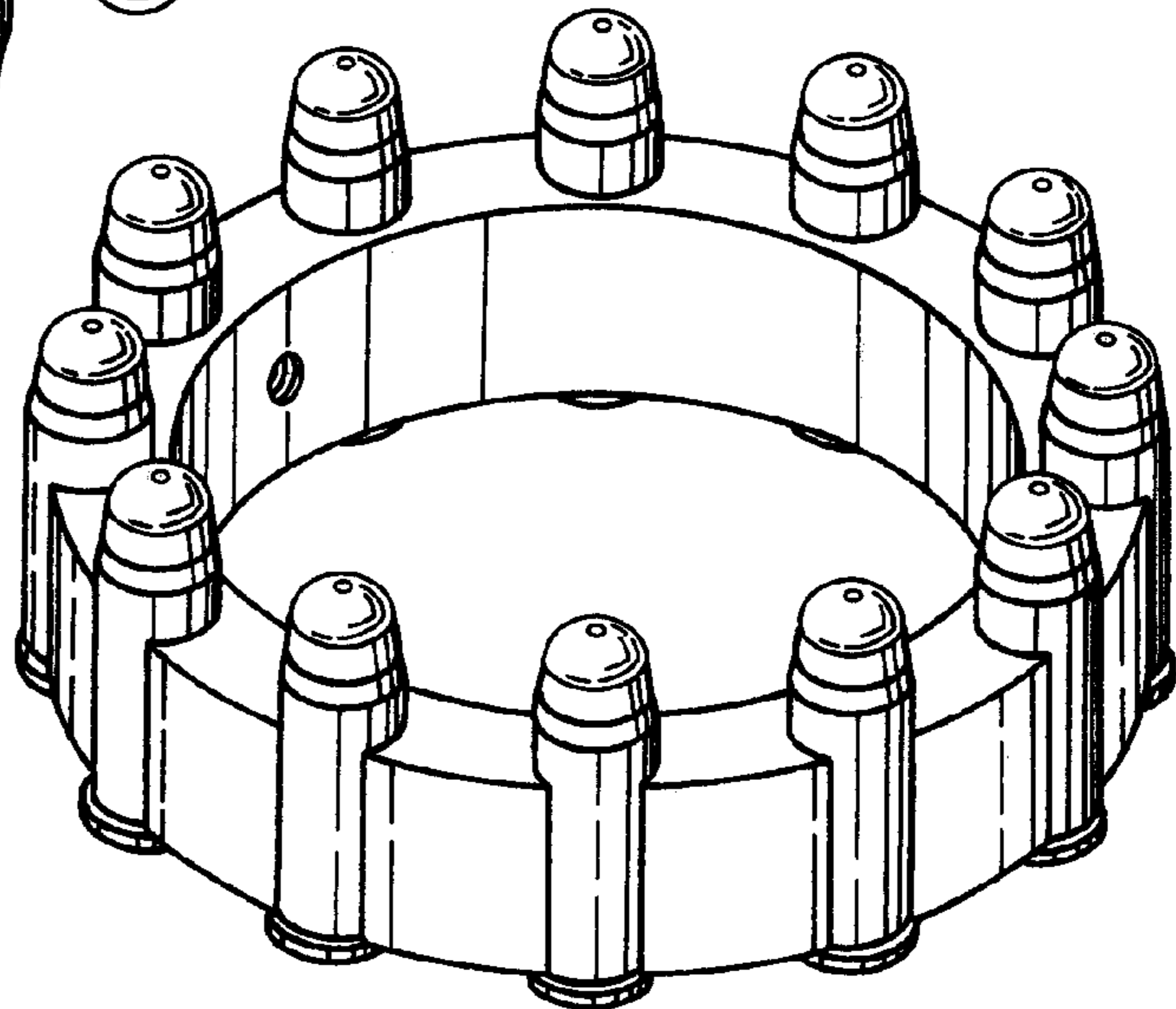
FIG. 1 is a perspective top view of the vehicle drink holder showing my new design;  
 FIG. 2 is a perspective bottom view;  
 FIG. 3 is a front elevational view;  
 FIG. 4 is a back elevational view;  
 FIG. 5 is a right side elevational view;  
 FIG. 6 is a left side elevational view;  
 FIG. 7 is a top plan view; and,  
 FIG. 8 is a bottom plan view.

**1 Claim, 2 Drawing Sheets**



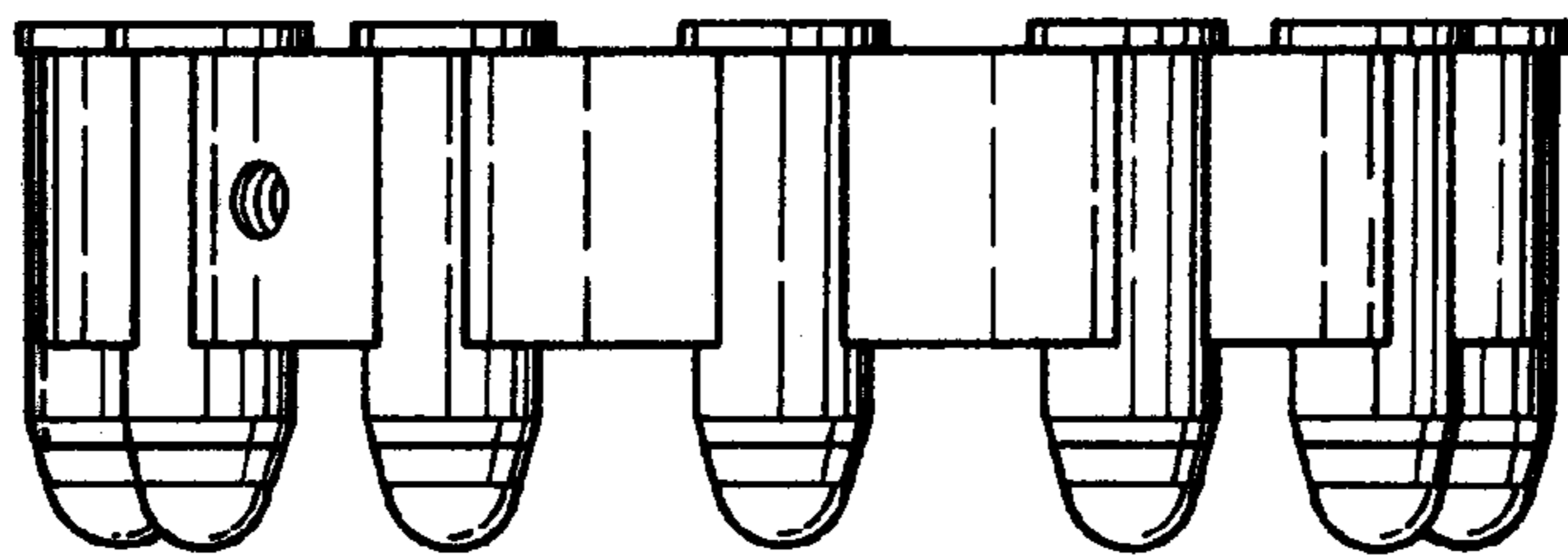


*FIG 1*

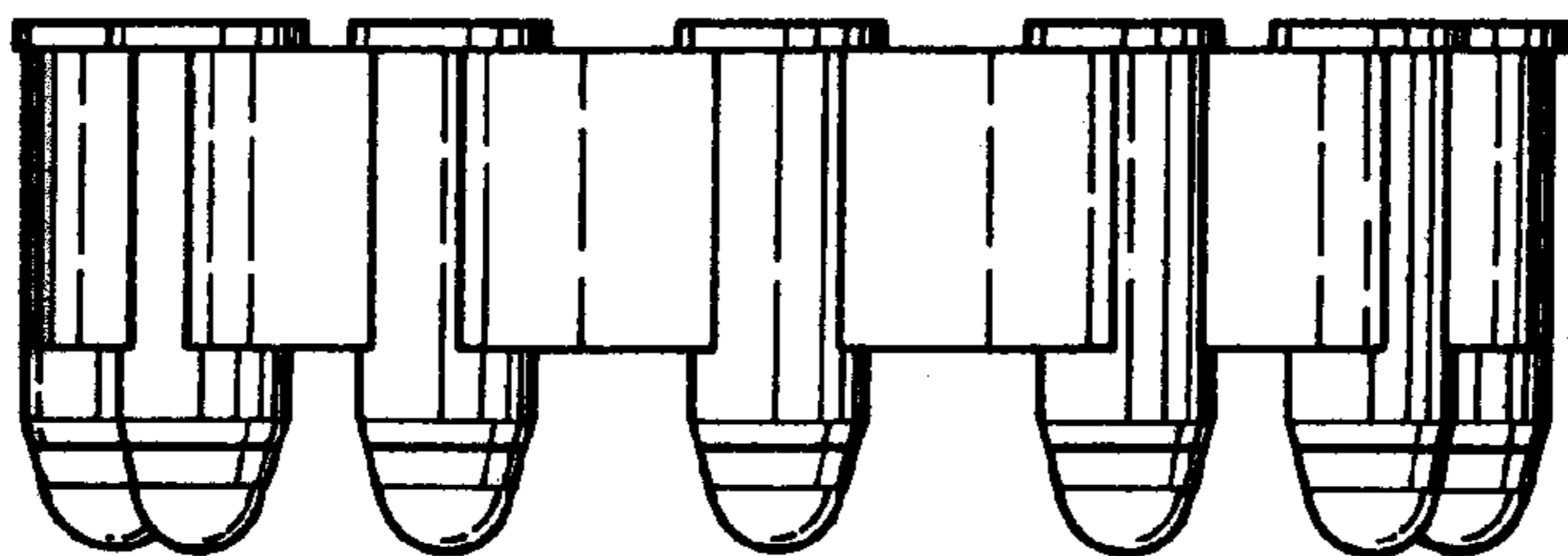


*FIG 2*

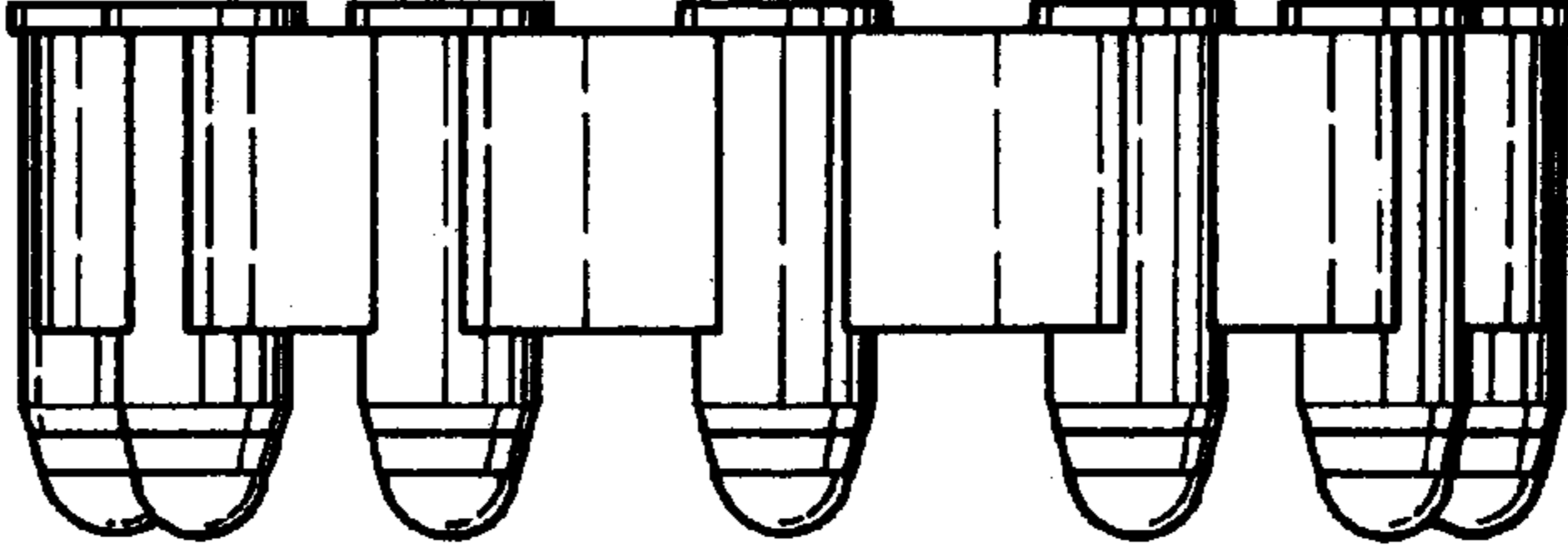
*FIG 3*



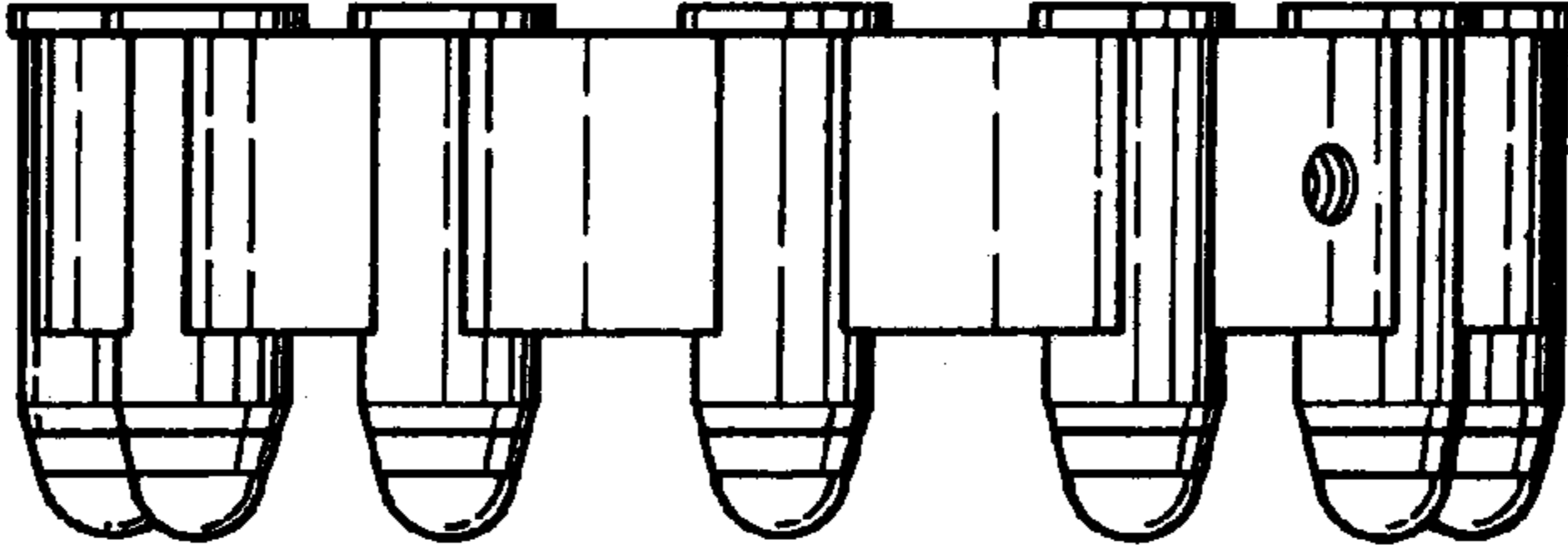
*FIG 4*



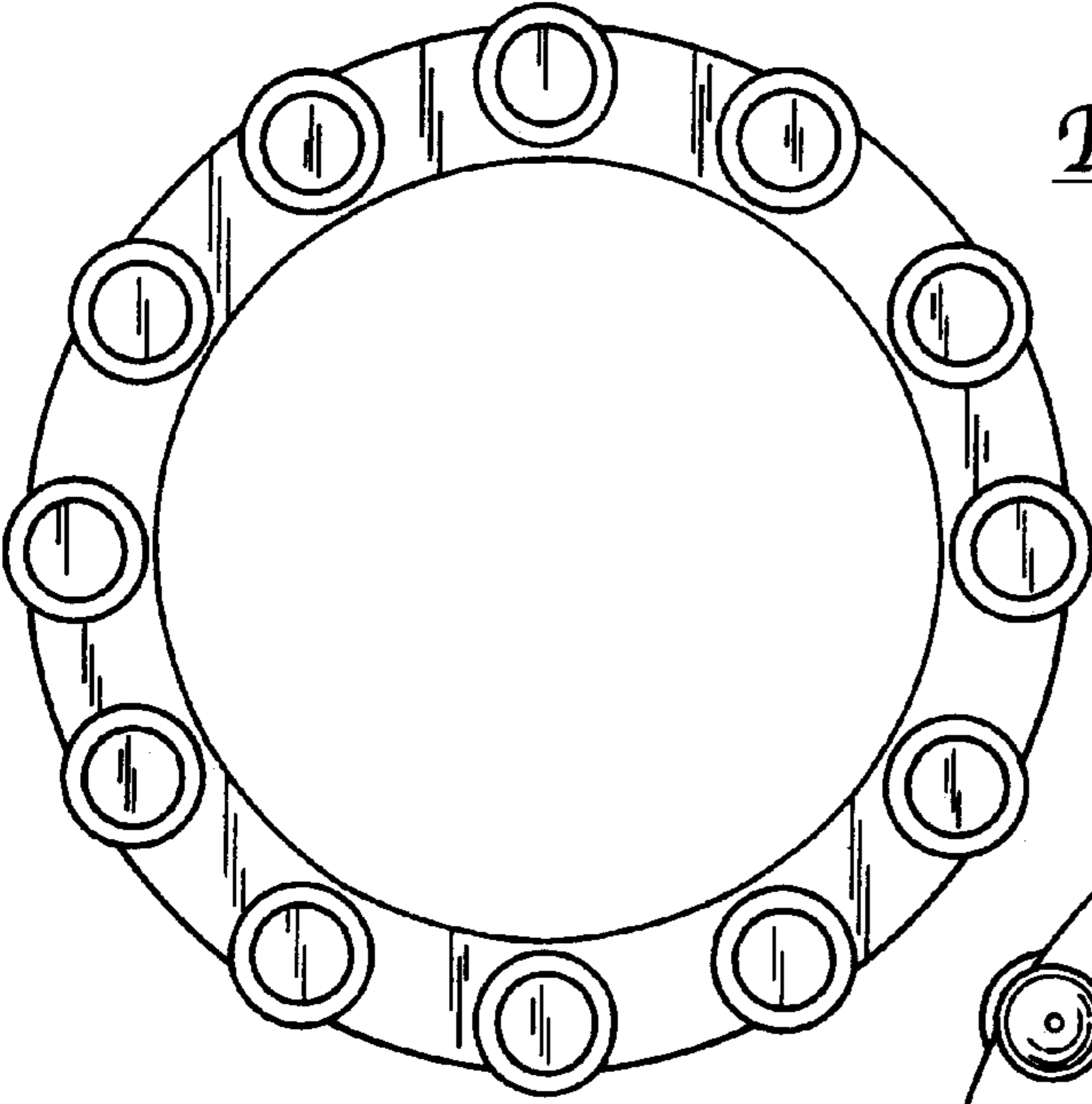
*FIG 5*



*FIG 6*



*FIG 7*



*FIG 8*

