

US00D536657S

(12) **United States Design Patent**
Rohden et al.

(10) **Patent No.:** **US D536,657 S**

(45) **Date of Patent:** **** Feb. 13, 2007**

(54) **SHIP**

(75) Inventors: **Rolf Rohden**, Aurich (DE); **Dirk Holtkamp**, Aurich (DE)

(73) Assignee: **Aloys Wobben**, Aurich (DE)

(**) Term: **14 Years**

(21) Appl. No.: **29/245,576**

(22) Filed: **Dec. 22, 2005**

(30) **Foreign Application Priority Data**

Jun. 22, 2005 (DE) 405 03 206

(51) **LOC (8) Cl.** **12-06**

(52) **U.S. Cl.** **D12/300**

(58) **Field of Classification Search** D12/300,
D12/301, 304, 315, 317, 318; D21/542, 543;
114/72, 73, 258-262

See application file for complete search history.

(56) **References Cited**

U.S. PATENT DOCUMENTS

D131,909 S	*	4/1942	Bartholomew	D12/315
D140,505 S	*	3/1945	Hannevig	D12/315
D188,923 S	*	9/1960	Gongwer	D12/315
D221,406 S	*	8/1971	Kimon	D12/315
D342,715 S	*	12/1993	Garrett	D12/300
D414,457 S	*	9/1999	Barbier et al.	D12/304
D465,189 S	*	11/2002	Brooks et al.	D12/300

D522,440 S * 6/2006 Brooks et al. D12/300
2002/0178988 A1 * 12/2002 Bowen et al. 114/259

* cited by examiner

Primary Examiner—Holly H. Baynham

Assistant Examiner—Cynthia M. Chin

(74) *Attorney, Agent, or Firm*—Seed IP Law Group PLLC

(57) **CLAIM**

The ornamental design for a ship, as shown and described.

DESCRIPTION

FIG. 1 is a front perspective view of a ship showing my new design.

FIG. 2 is a rear perspective view of the ship of FIG. 1.

FIG. 3 is a front elevational view thereof.

FIG. 4 is a left side elevational view thereof.

FIG. 5 is a top plan view thereof.

FIG. 6 is a rear elevational view thereof.

FIG. 7 is a right side elevational view thereof.

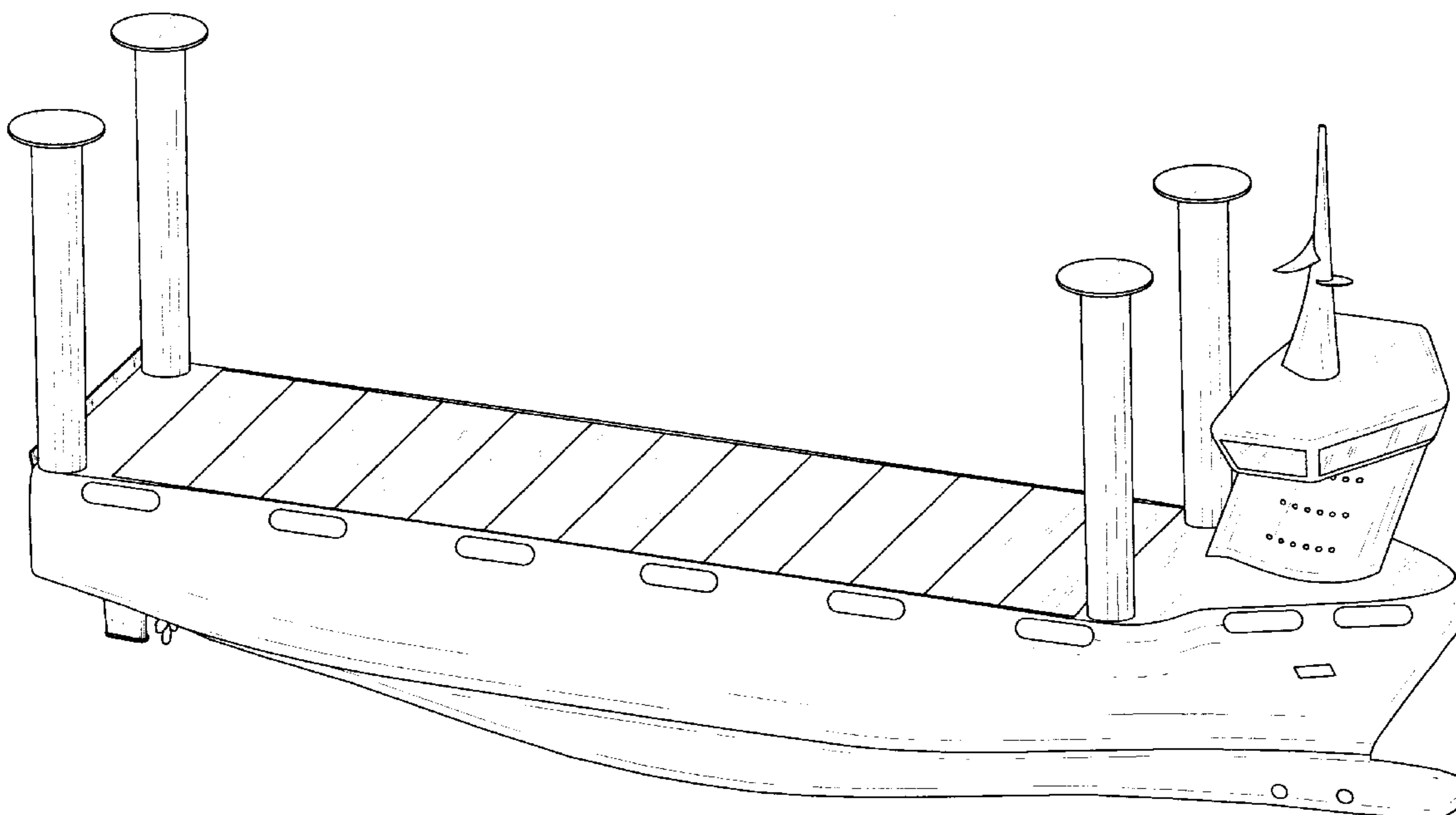
FIG. 8 is a bottom plan view thereof.

FIG. 9 is a front elevational view of an alternative embodiment of the ship not having a separate communications tower; and,

FIG. 10 is a right side elevational view of the embodiment of FIG. 9.

Embodiment 2 shares the same views as those shown in FIGS. 1-8 of Embodiment 1, with the exception of the communications tower.

1 Claim, 10 Drawing Sheets



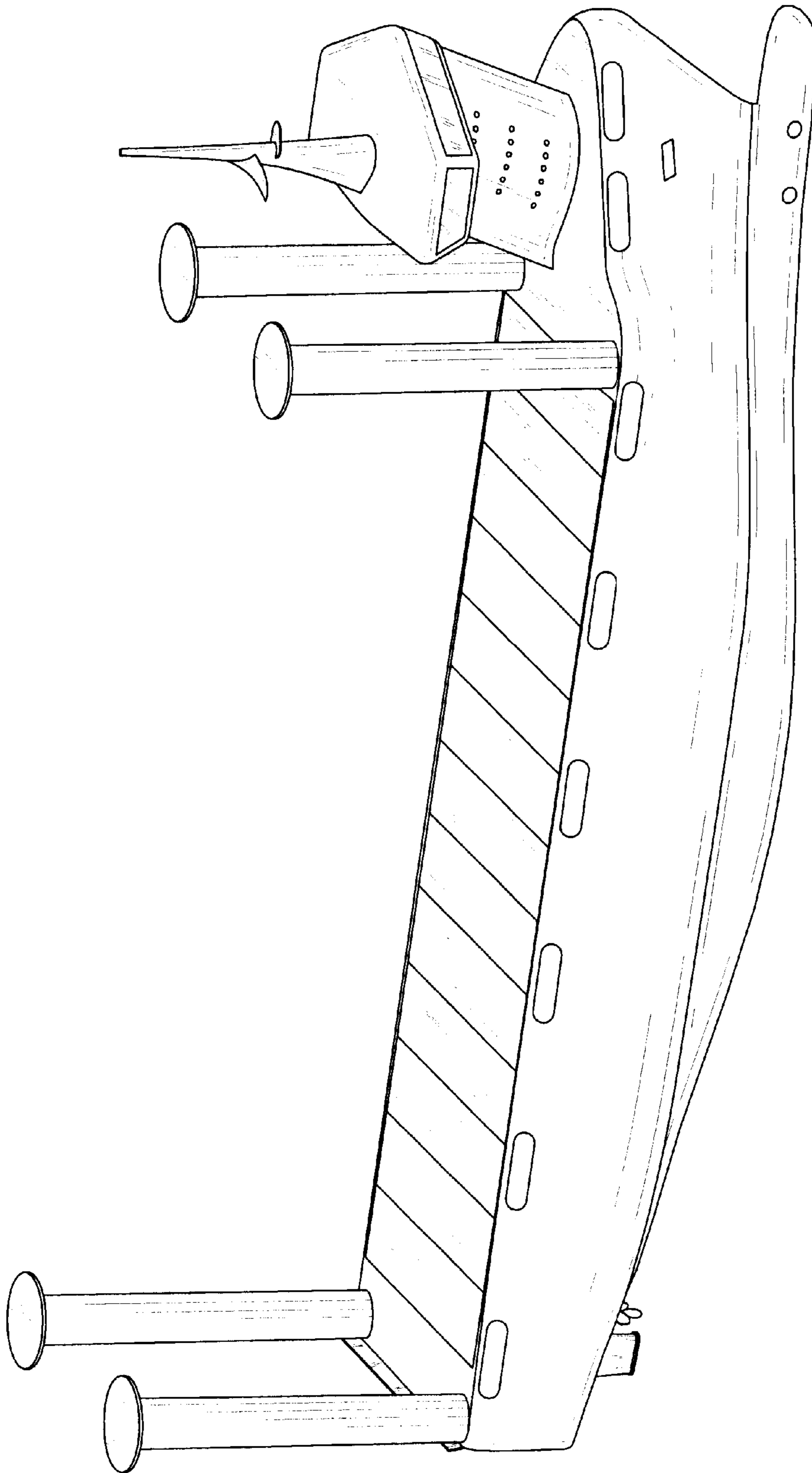


FIG. 1

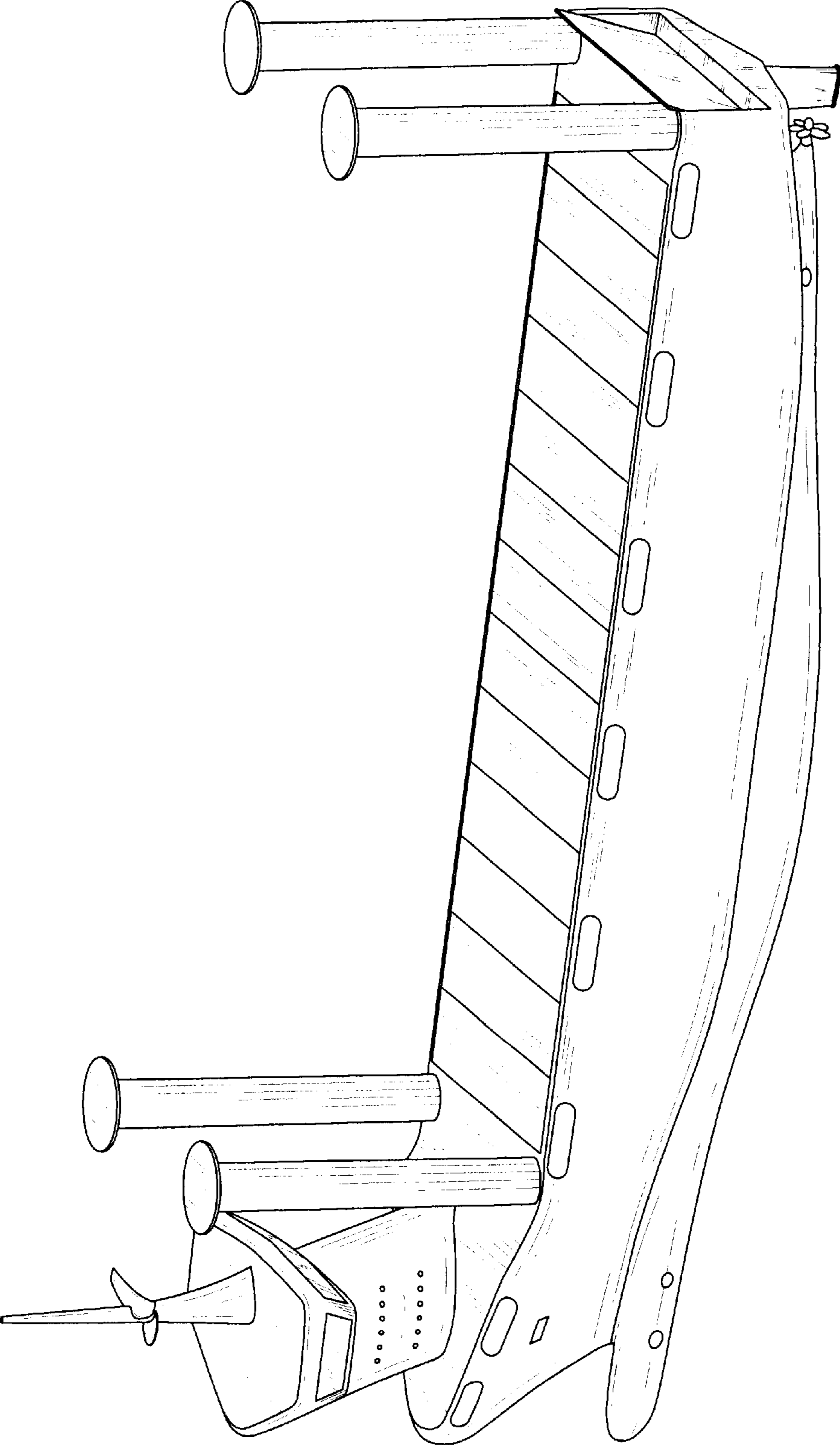


FIG. 2

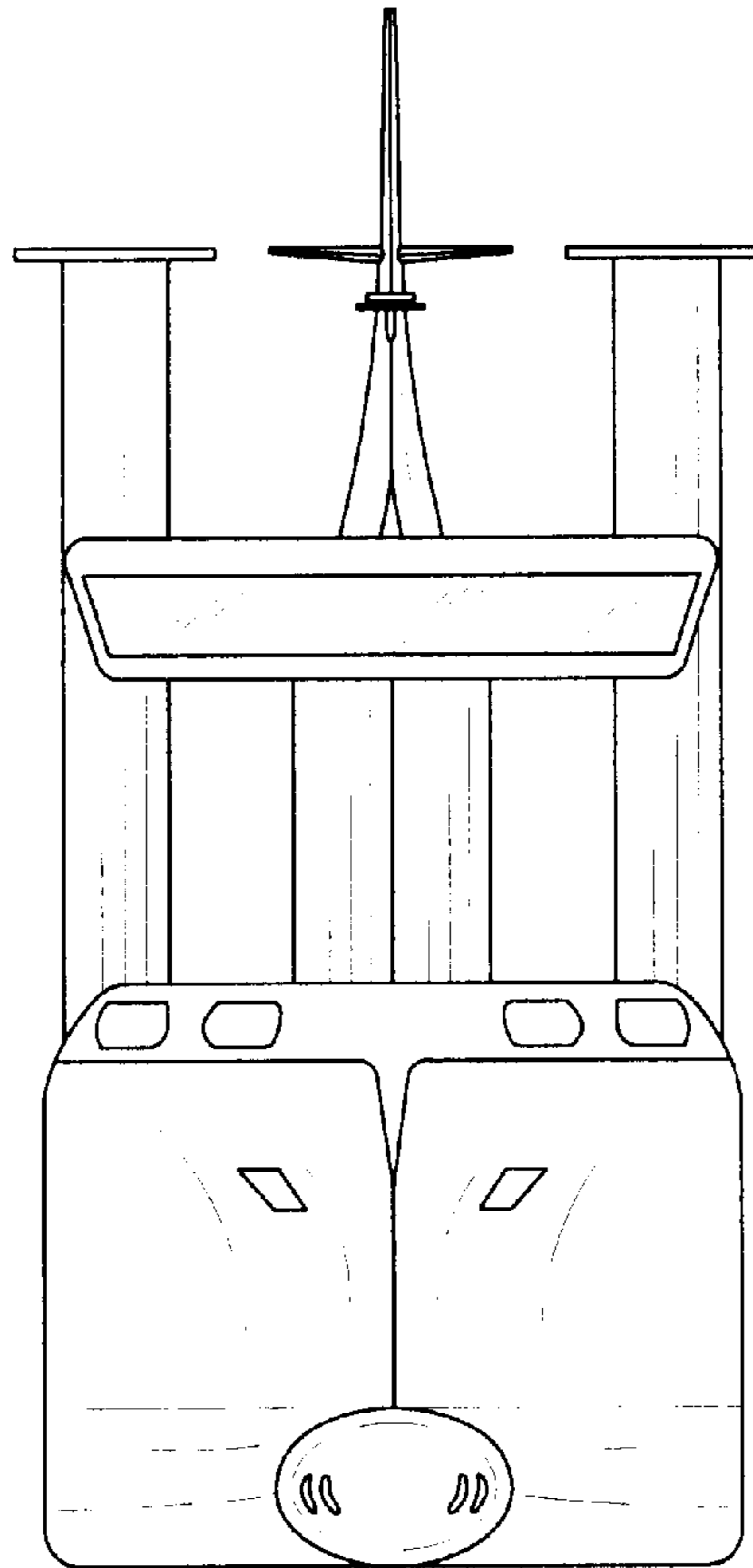


FIG. 3

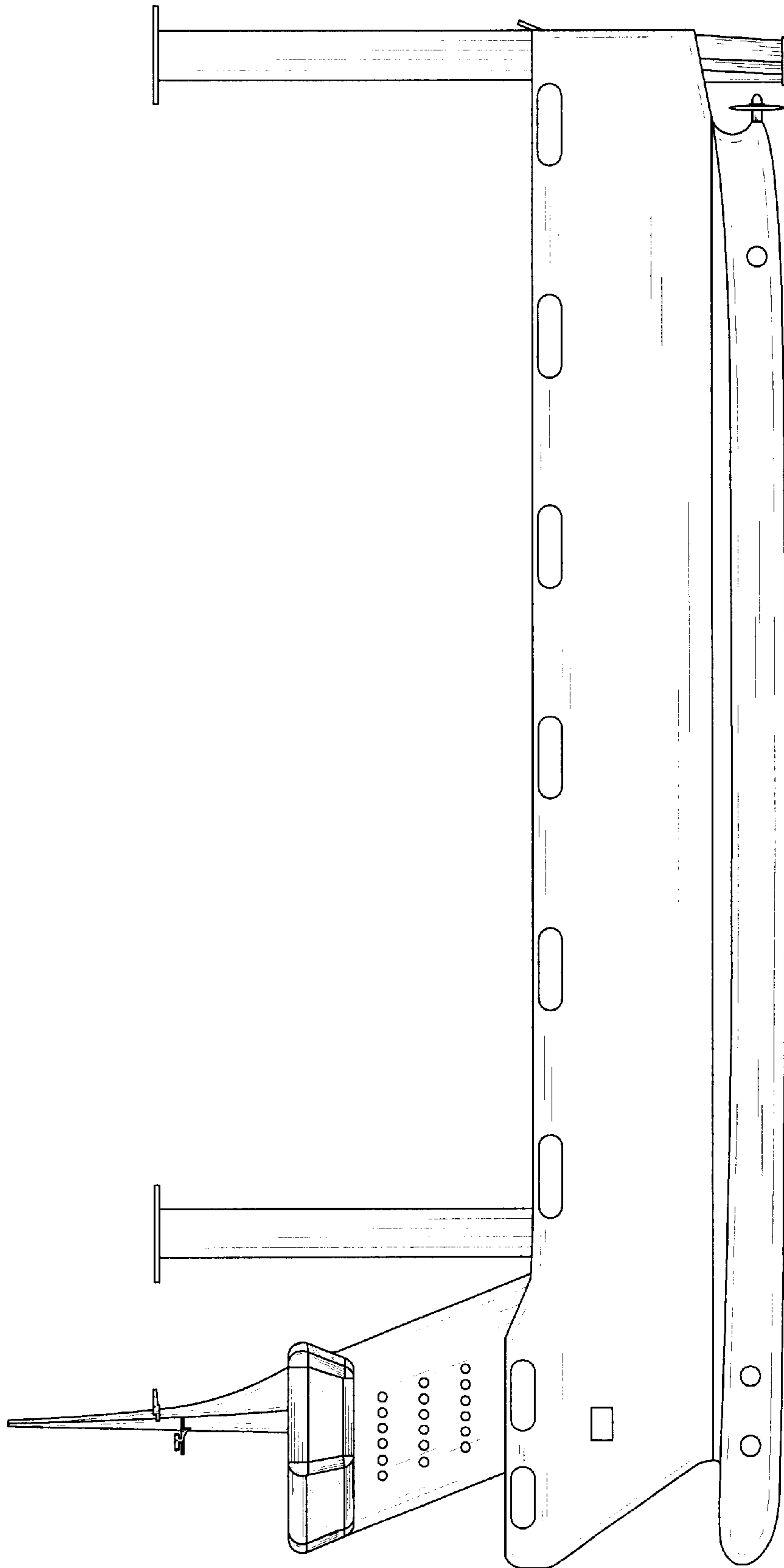


FIG. 4

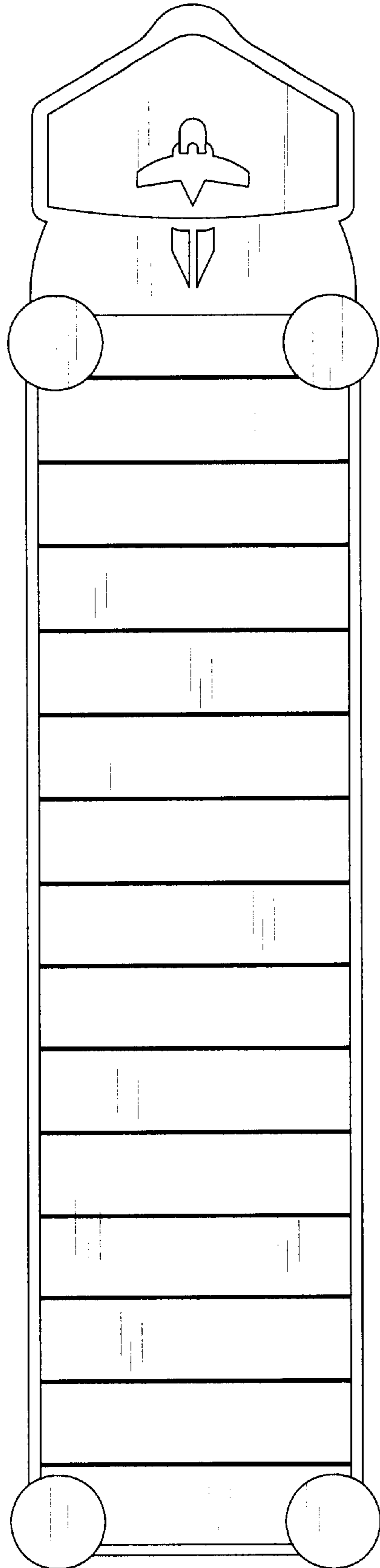


FIG. 5

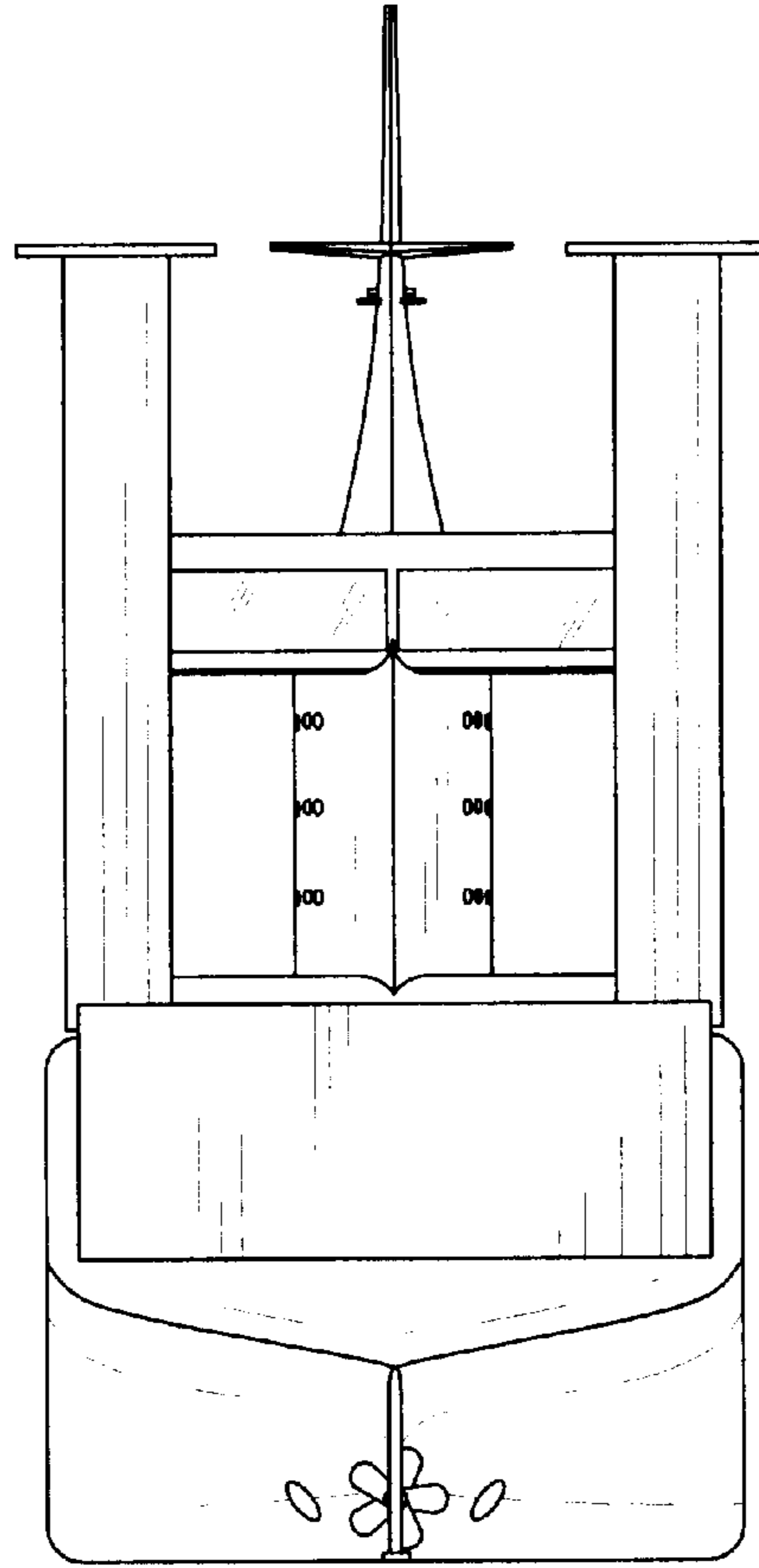


FIG. 6

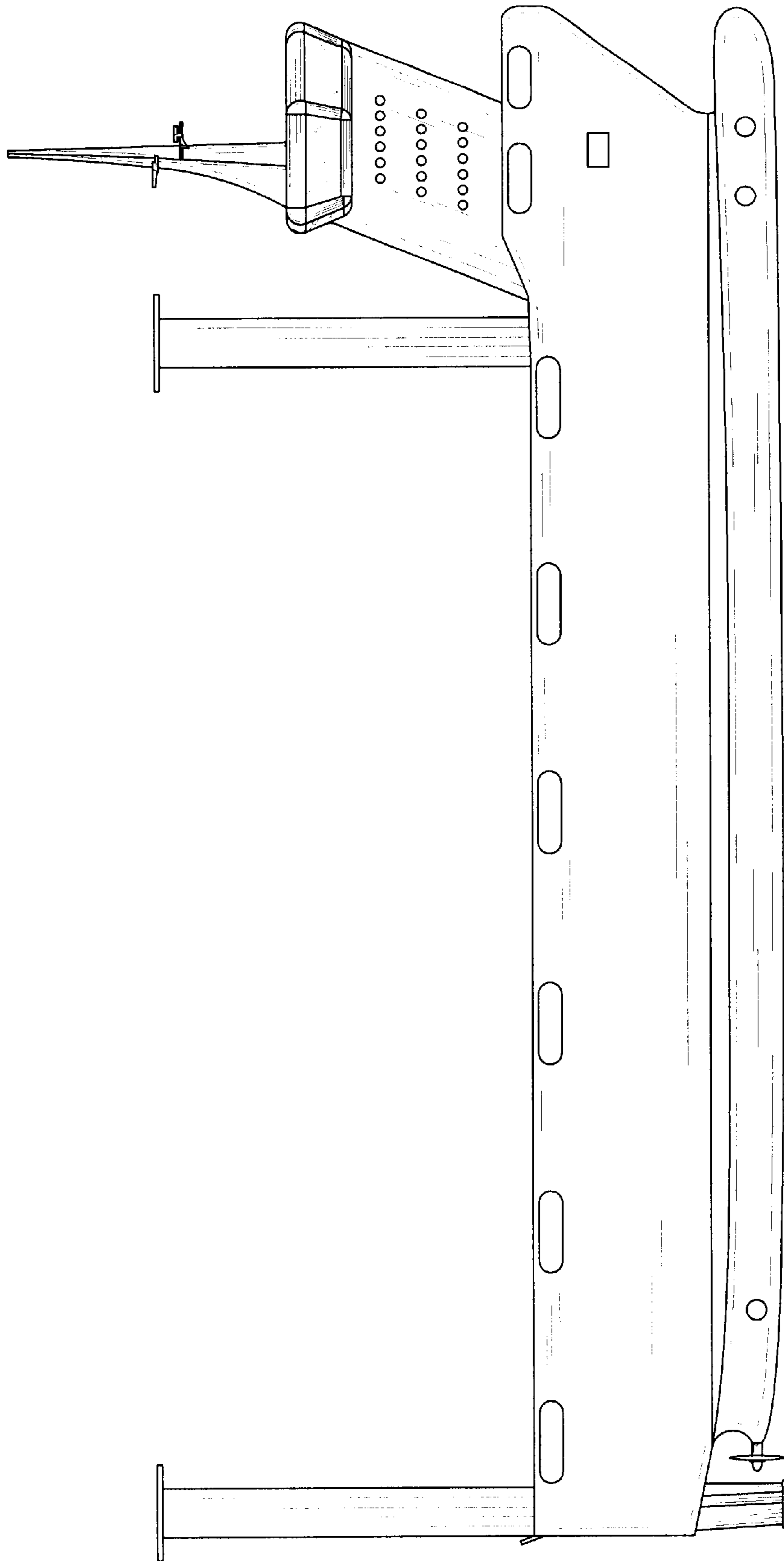


FIG. 7

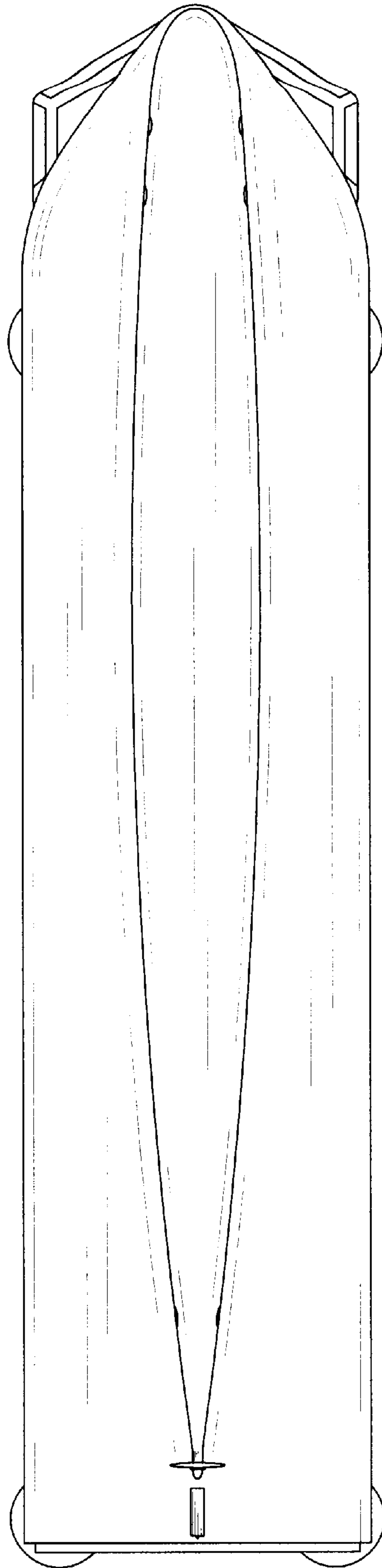


FIG. 8

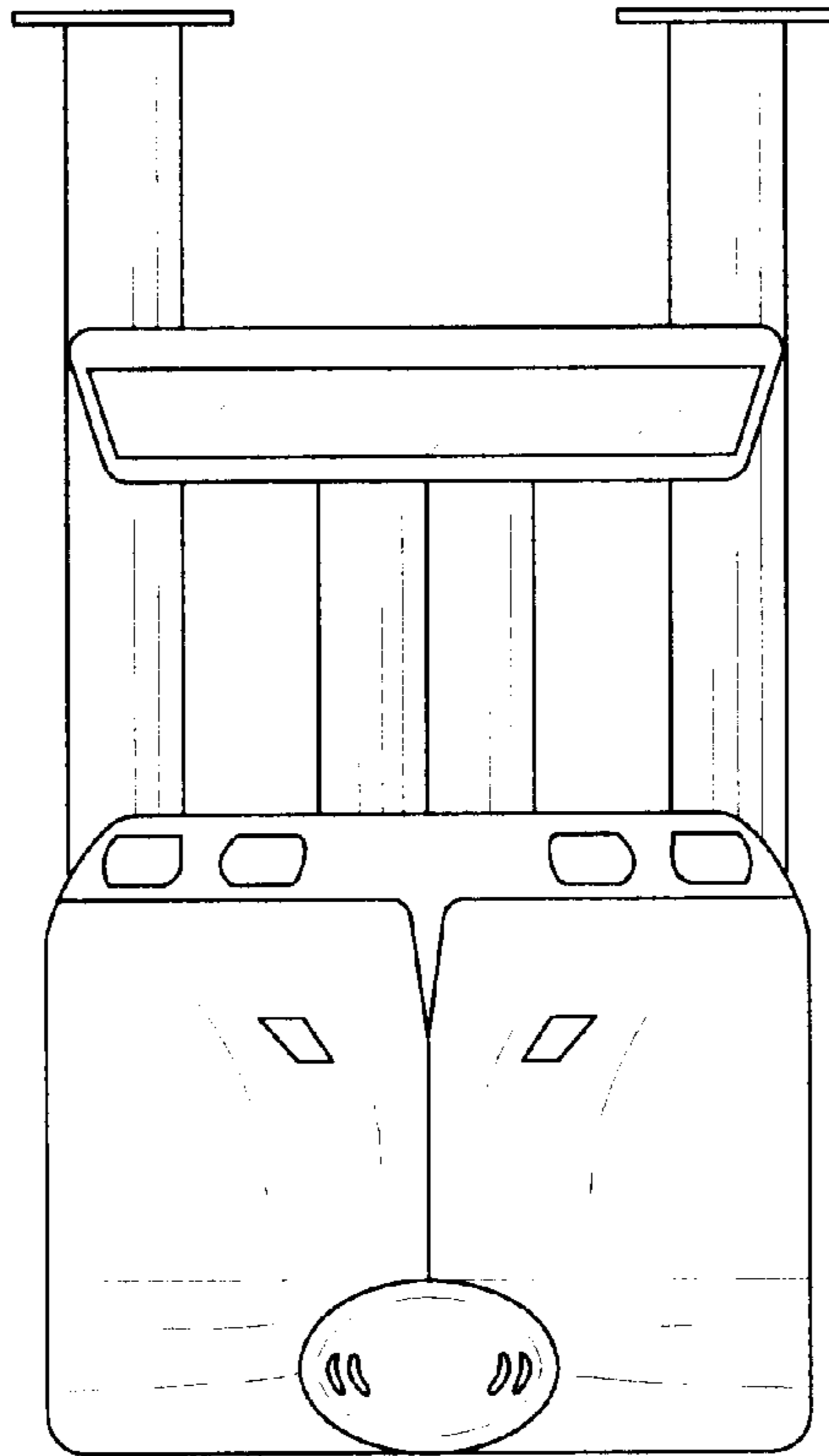


FIG. 9

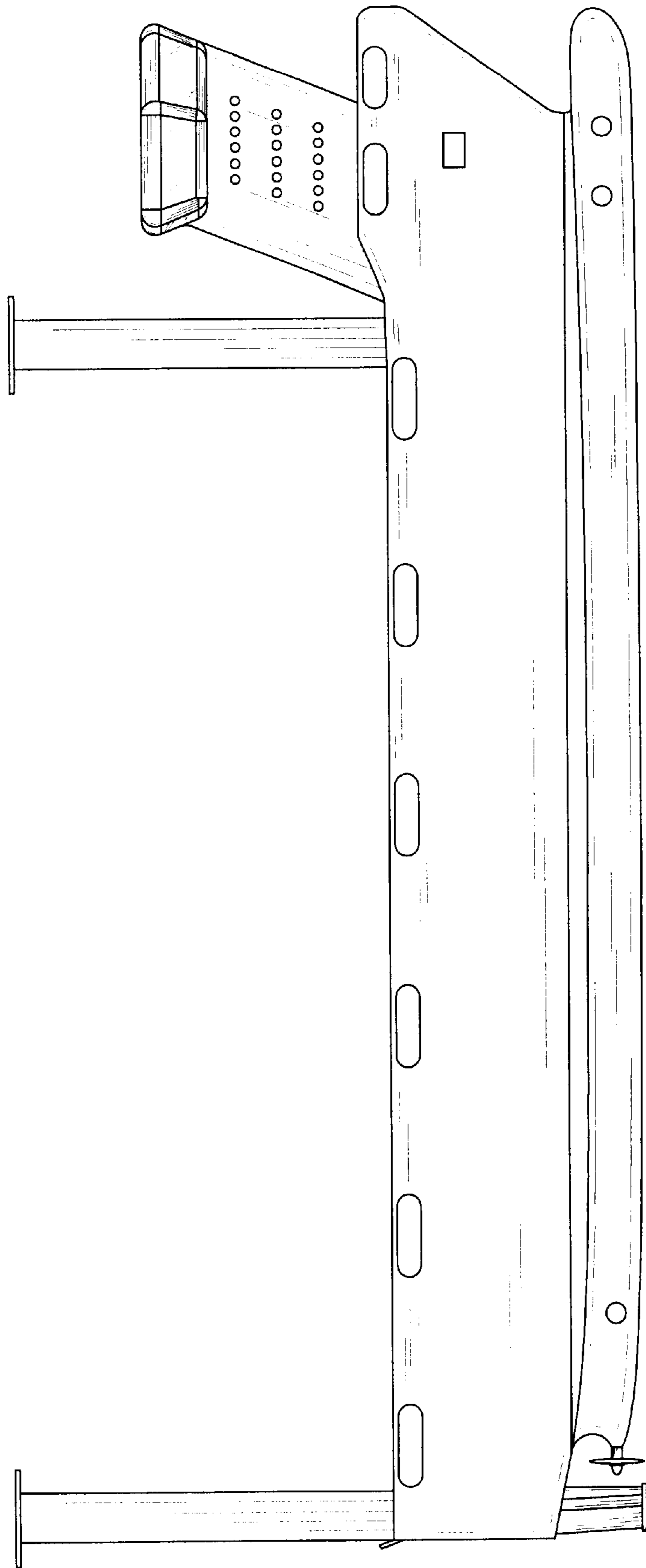


FIG. 10