



US00D536655S

(12) **United States Design Patent**
Kim

(10) **Patent No.:** **US D536,655 S**

(45) **Date of Patent:** **** Feb. 13, 2007**

(54) **FRONT FACE OF A VEHICLE WHEEL**

(75) Inventor: **Gi Beom Kim**, Seoul (KR)

(73) Assignee: **Lion's Wheel Industrial Corp.**, Irvine, CA (US)

(**) Term: **14 Years**

(21) Appl. No.: **29/225,986**

(22) Filed: **Mar. 22, 2005**

(51) **LOC (8) Cl.** **12-16**

(52) **U.S. Cl.** **D12/211**

(58) **Field of Classification Search** D12/204-213;
301/37.101, 64.101, 65

See application file for complete search history.

(56) **References Cited**

U.S. PATENT DOCUMENTS

D337,563 S	*	7/1993	Boselli	D12/209
D454,107 S	*	3/2002	Chung	D12/211
D460,733 S	*	7/2002	Bintoro	D12/211

D482,996 S	*	12/2003	Sulahian	D12/211
D497,870 S	*	11/2004	Cahyono	D12/211
D500,003 S	*	12/2004	Guevara	D12/211
D500,278 S	*	12/2004	Huet	D12/211
D501,175 S	*	1/2005	Kushartanto	D12/211
D505,375 S	*	5/2005	Kushartanto	D12/211
D507,775 S	*	7/2005	Pfeiffer	D12/211
D512,949 S	*	12/2005	Ettensberger	D12/211

* cited by examiner

Primary Examiner—Stacia Cadmus

(74) *Attorney, Agent, or Firm*—Blakely, Sokoloff, Taylor & Zafman, LLP

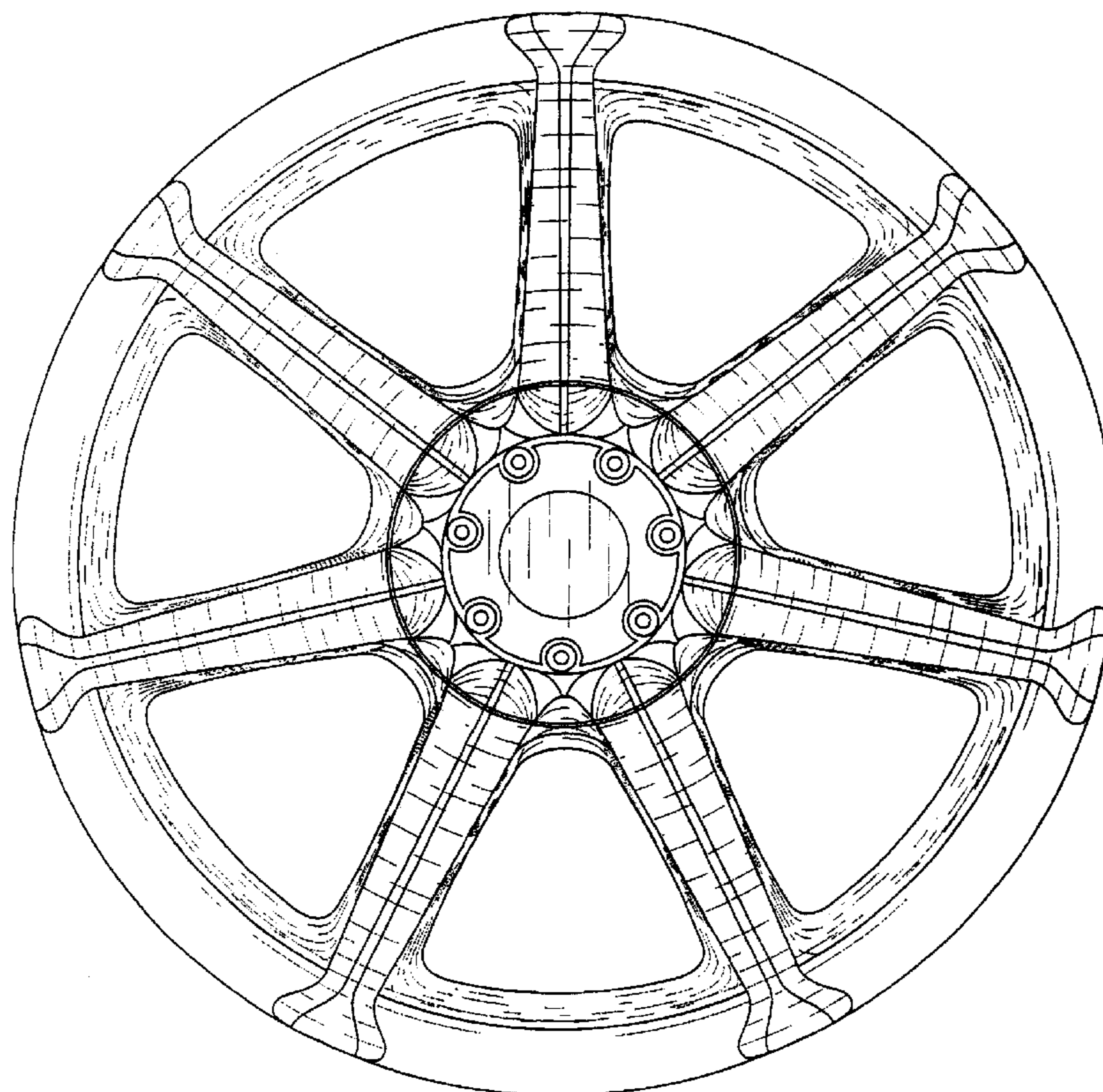
(57) **CLAIM**

The ornamental design for a front face of a vehicle wheel, as shown and described.

DESCRIPTION

FIG. 1 is a perspective view of a front face of a vehicle wheel showing my new design; and, FIG. 2 is a front view thereof.

1 Claim, 2 Drawing Sheets



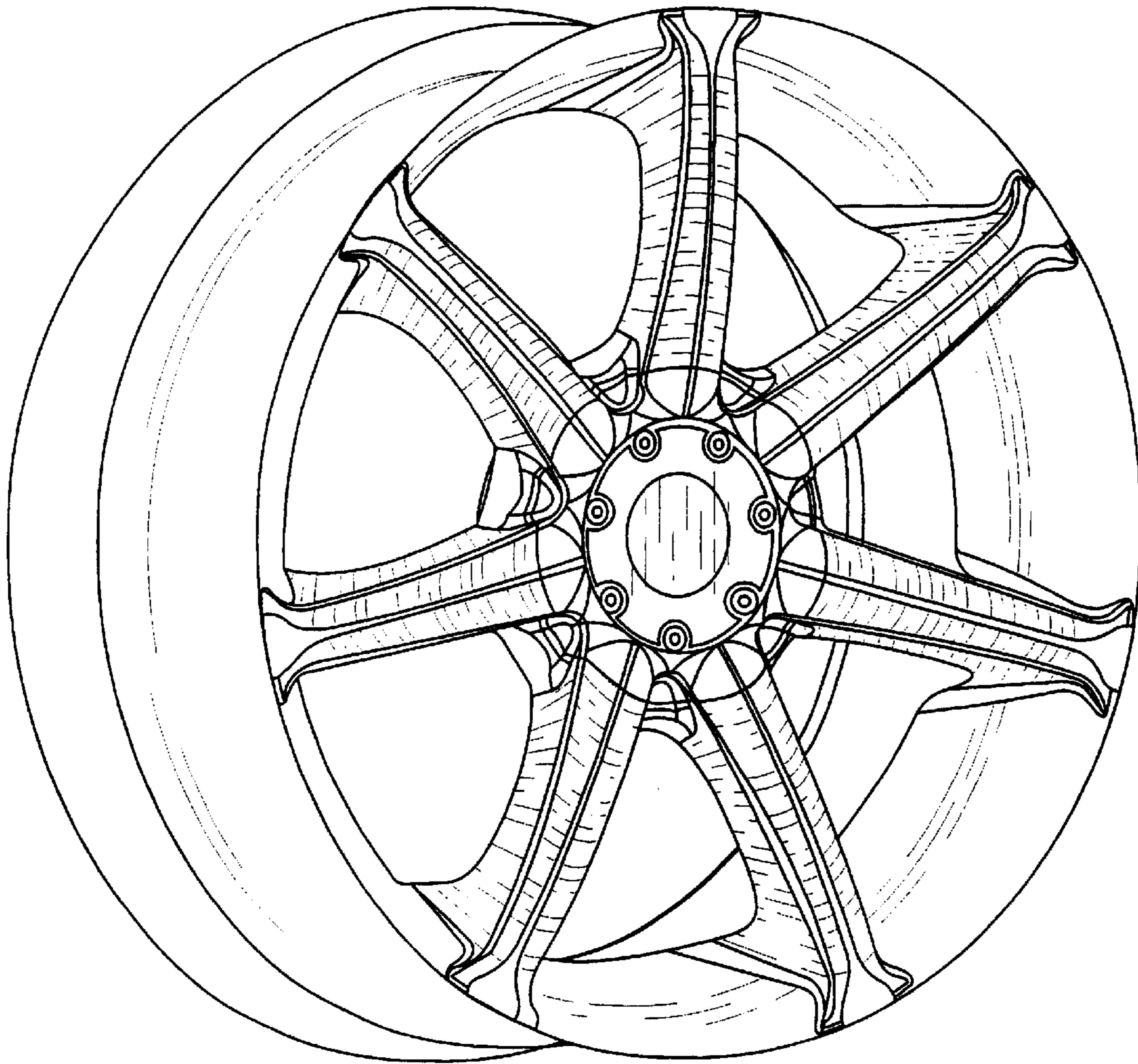


FIG. 1

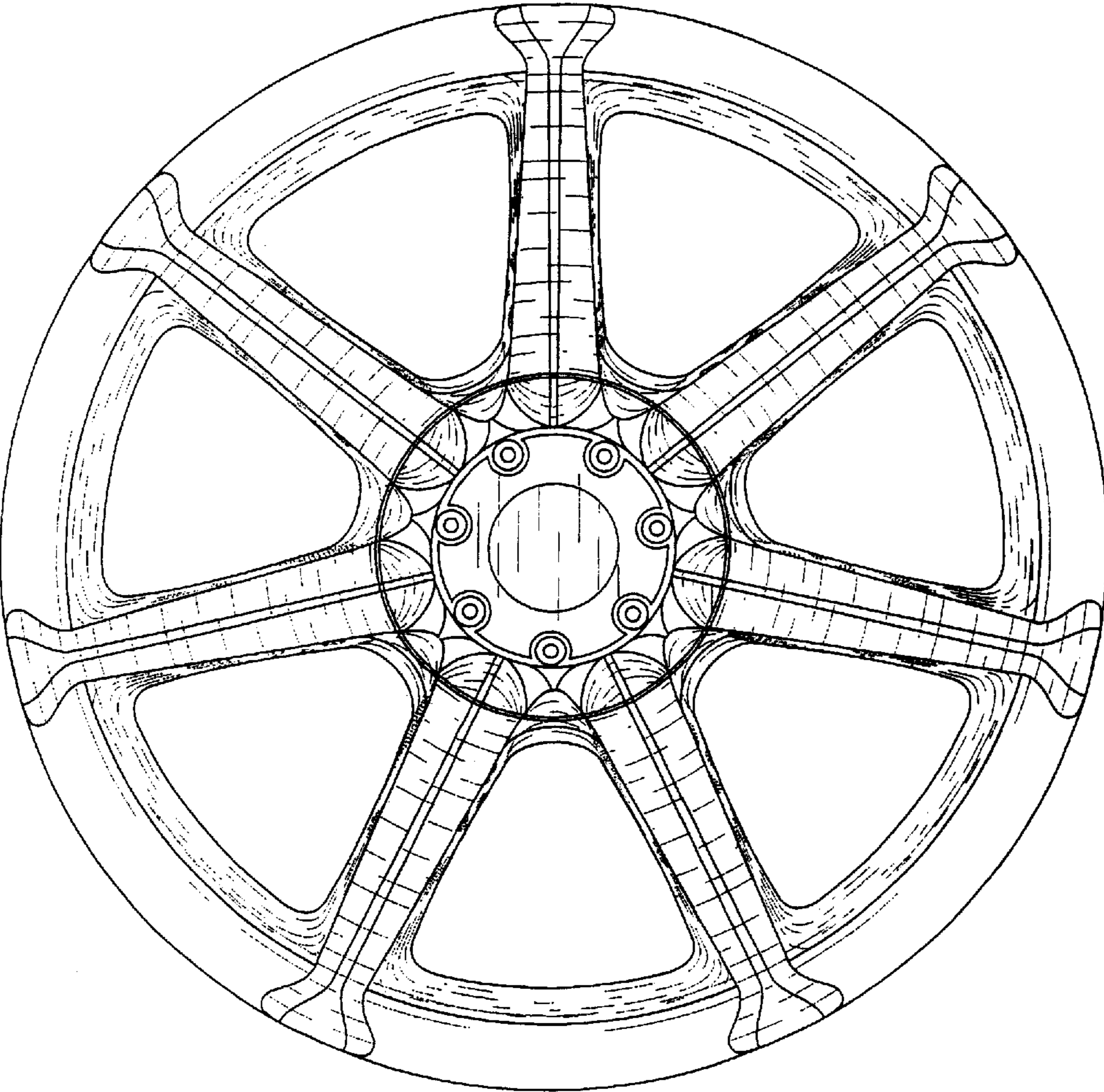


FIG. 2