



US00D536653S

(12) **United States Design Patent** (10) **Patent No.:** **US D536,653 S**
Rasmussen et al. (45) **Date of Patent:** **** Feb. 13, 2007**

(54) **WHEEL**

FOREIGN PATENT DOCUMENTS

(75) Inventors: **Kirk Rasmussen**, Wales, WI (US);
Willie G. Davidson, Delafield, WI
(US); **Louis Netz**, Grafton, WI (US)

WO WO 01/28786 4/2001
WO WO 2004/083666 9/2004
WO WO 2005/037573 4/2005

(73) Assignee: **Harley-Davidson Motor Company
Group, Inc.**, Milwaukee, WI (US)

OTHER PUBLICATIONS

(**) Term: **14 Years**

(21) Appl. No.: **29/221,821**

(22) Filed: **Jan. 21, 2005**

(51) **LOC (8) Cl.** **12-16**

(52) **U.S. Cl.** **D12/211**

(58) **Field of Classification Search** D12/204–213;
301/37.101, 64.101, 65

See application file for complete search history.

Arlen Ness Motorcycles, “Arlen Ness Motorcycles 2003,” pp. 52–55, 58, published prior to Jan. 1, 2004.
Buell American Motorcycles, “Draw a Line in the Road,” published prior to Jan. 1, 2004.
Buell American Motorcycles, “Buell® American Motorcycles 2003 Apparel & Accessories,” p. 27, published prior to Jan. 1, 2004.
Custom Chrome, “Custom Chrome® 2003,” pp. 13.02–13.17, published prior to Jan. 1, 2004.
Harley-Davidson, Inc., “Harley-Davidson® 2003 Genuine Motor Accessories & Genuine Motor Parts,” pp. 623–631, published prior to Jan. 1, 2004.
V-Twin Manufacturing, “V-Twin Manufacturing® Product Reference Guide,” pp. 970–972, published prior to Jan. 1, 2004.
Harley-Davidson, Inc., “1995 Harley-Davidson®, Genuine Parts & Accessories,” pp. 108 and 109, published prior to Jan. 1, 2004.

(56) **References Cited**

U.S. PATENT DOCUMENTS

2,937,905 A	5/1960	Altenburger	
4,518,204 A	5/1985	Takada	
D298,224 S	10/1988	Yamada et al.	
D306,154 S	2/1990	Berg	
D310,191 S	8/1990	Yamada et al.	
5,360,261 A	11/1994	Archibald et al.	
5,429,422 A	7/1995	Baldi	
5,548,896 A	8/1996	Archibald et al.	
5,794,340 A	8/1998	Pollkötter	
5,826,949 A	10/1998	Bortoloni	
5,997,102 A	12/1999	Stanavich	
D421,953 S	* 3/2000	Sims et al.	D12/211
D441,337 S	5/2001	Netz et al.	
6,497,042 B1	12/2002	Dietrich	
6,536,111 B1	3/2003	Baumgarten et al.	
D524,218 S	* 7/2006	Madden	D12/211
D524,713 S	* 7/2006	Brouillette et al.	D12/211
D526,948 S	* 8/2006	Truebsbach	D12/211
D527,333 S	* 8/2006	Blasi	D12/211

* cited by examiner

Primary Examiner—Stacia Cadmus

(74) *Attorney, Agent, or Firm*—Michael Best & Friedrich LLP

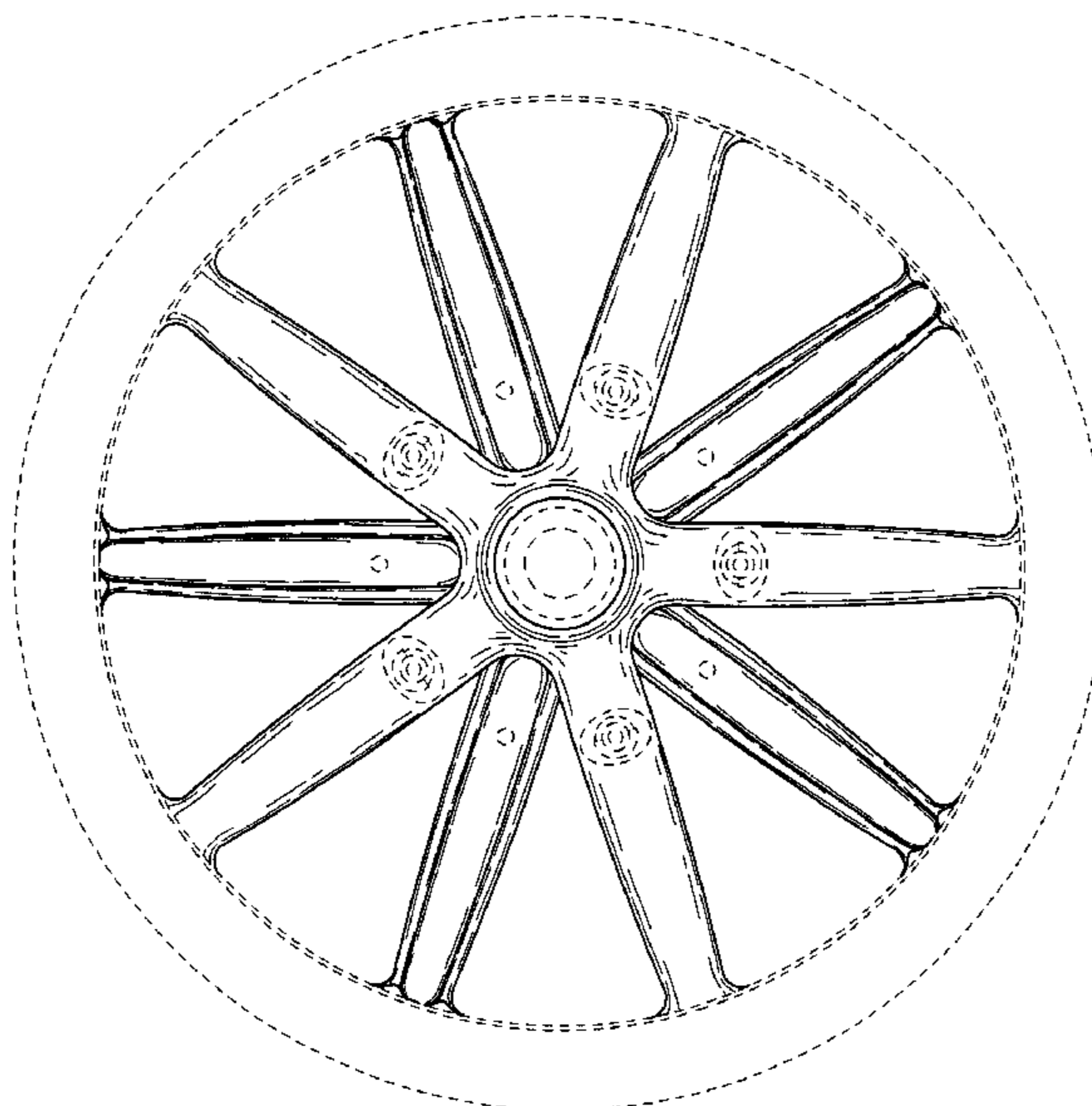
(57) **CLAIM**

The ornamental design for a wheel, as shown and described.

DESCRIPTION

FIG. 1 is a front view of a wheel, showing our new design; and, FIG. 2 is a perspective view thereof. The broken line showing of the environment is for illustrative purposes only and forms no part of the claimed design.

1 Claim, 2 Drawing Sheets



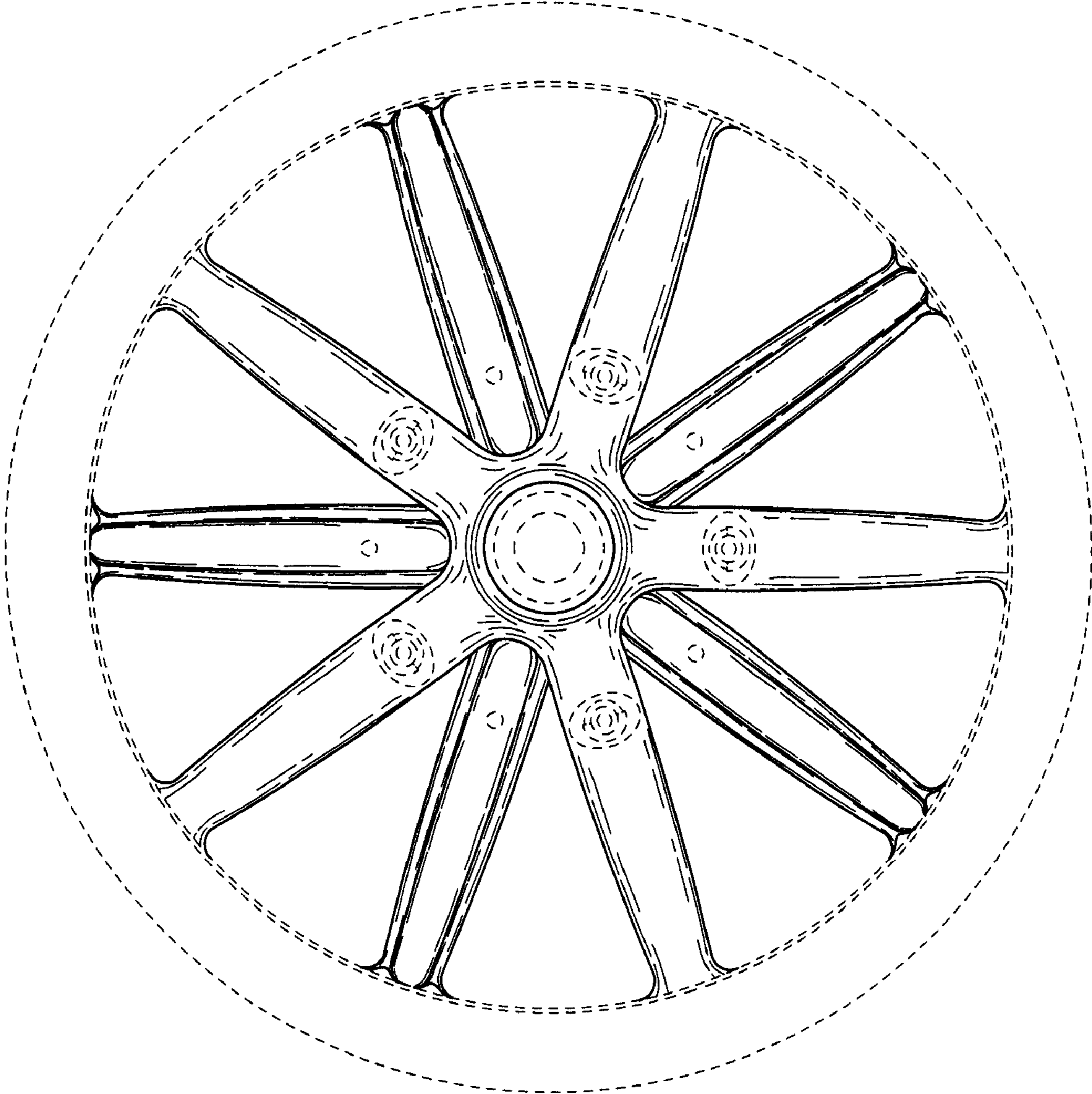


FIG. 1

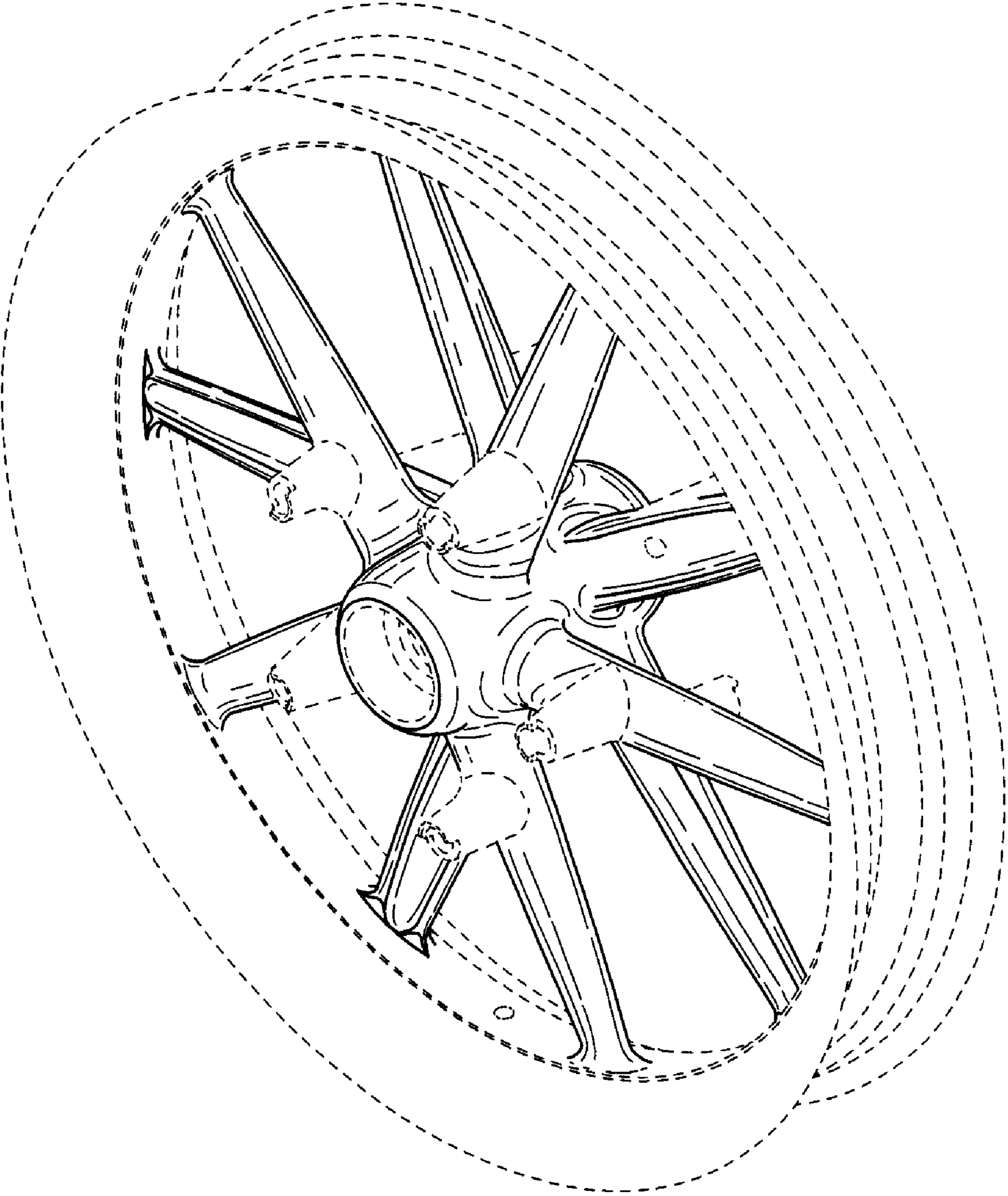


FIG. 2