



US00D536652S

(12) **United States Design Patent**
Sulahian

(10) **Patent No.:** **US D536,652 S**

(45) **Date of Patent:** **** Feb. 13, 2007**

(54) **PORTION OF A FRONT FACE OF A VEHICLE**

D493,764 S * 8/2004 Sulahian D12/211
D512,008 S * 11/2005 Tirado D12/209
D513,218 S * 12/2005 Fitzgerald D12/209
D516,987 S * 3/2006 Sulahian D12/211

(76) Inventor: **Diko Sulahian**, 12717 Ann St., Santa Fe Springs, CA (US) 90670

OTHER PUBLICATIONS

(**) Term: **14 Years**

Page from website of wtwcorp.com showing 6-Oval Wheel Rim, date unknown but believed to be available more than one year prior to Oct. 22, 2003.

(21) Appl. No.: **29/192,204**

* cited by examiner

(22) Filed: **Oct. 22, 2003**

(51) **LOC (8) Cl.** **12-16**

Primary Examiner—Stacia Cadmus

(52) **U.S. Cl.** **D12/211**

(74) *Attorney, Agent, or Firm*—Nixon & Vanderhye P.C.

(58) **Field of Classification Search** D12/204–213;
301/37.101, 64.101, 65

(57) **CLAIM**

See application file for complete search history.

The ornamental design for a portion of a front face of a vehicle, as shown and described.

(56) **References Cited**

DESCRIPTION

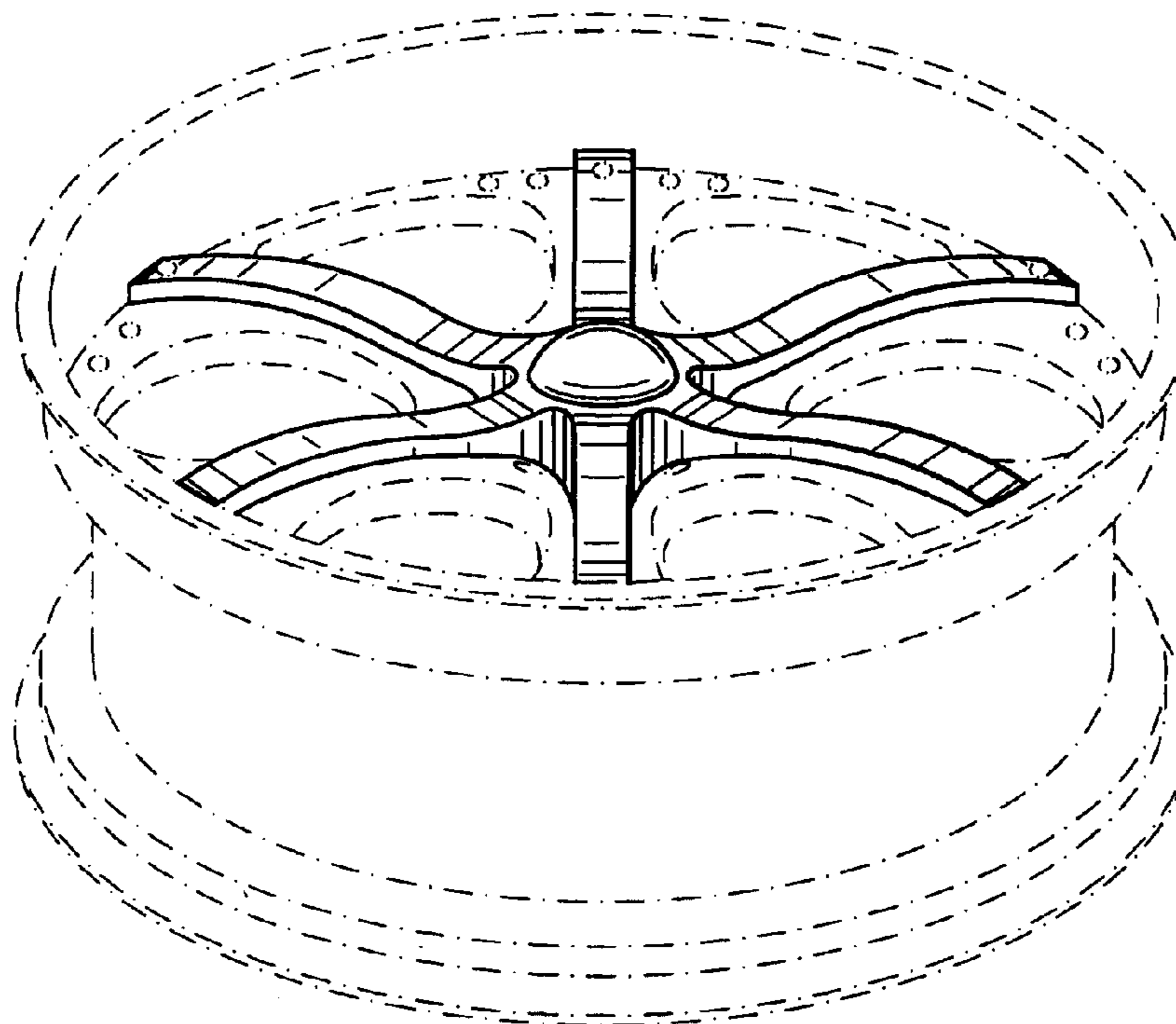
U.S. PATENT DOCUMENTS

D206,709 S	*	1/1967	Reid	D12/209
D416,533 S		11/1999	Sulahian		
D437,278 S		2/2001	Sulahian		
D446,180 S		8/2001	Sulahian et al.		
D446,493 S		8/2001	Sulahian et al.		
D455,699 S	*	4/2002	Chung	D12/209
D478,540 S		8/2003	Sulahian		
D478,541 S		8/2003	Sulahian		
D478,542 S		8/2003	Sulahian		
D479,172 S		9/2003	Sulahian		
D481,000 S	*	10/2003	Wartono	D12/209
D481,984 S		11/2003	Sulahian		
D482,309 S		11/2003	Sulahian		
D482,996 S		12/2003	Sulahian		
D486,109 S	*	2/2004	Singer	D12/210

FIG. 1 is a front view of a portion of a front face of a vehicle showing my new design; and, FIG. 2 is a bottom and front side perspective view of the wheel shown in FIG. 1.

Throughout the various figures of the drawings, certain views are not provided. The omission of a particular view is intended to convey that the element(s) depicted is/are plain and unornamented in that omitted view, or that the particular ornamental appearance in that view is simply not claimed. Where included, broken lines showing environmental or structure are for illustrative purposes only and form no part of the claimed design.

1 Claim, 2 Drawing Sheets



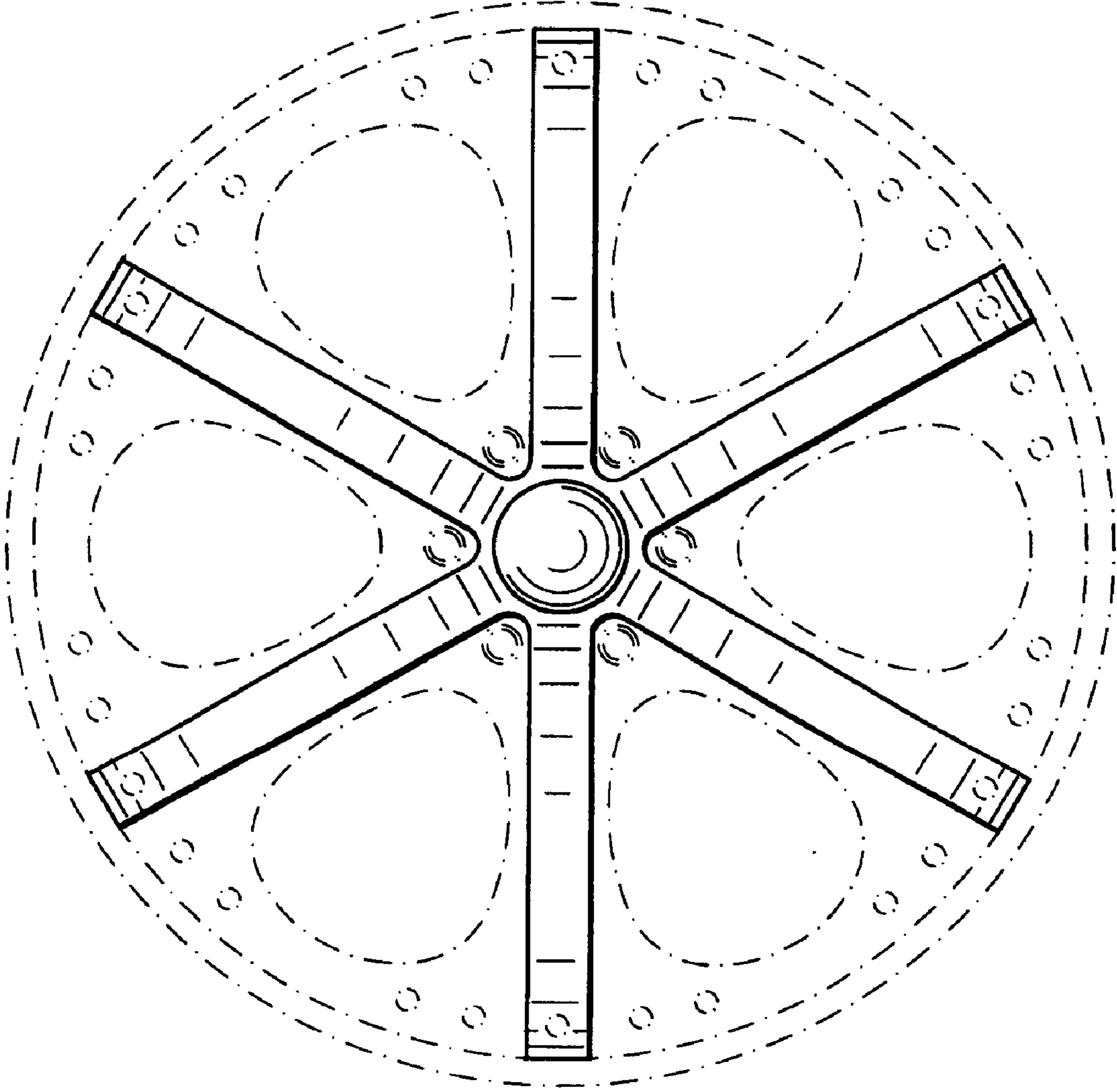


Fig. 1

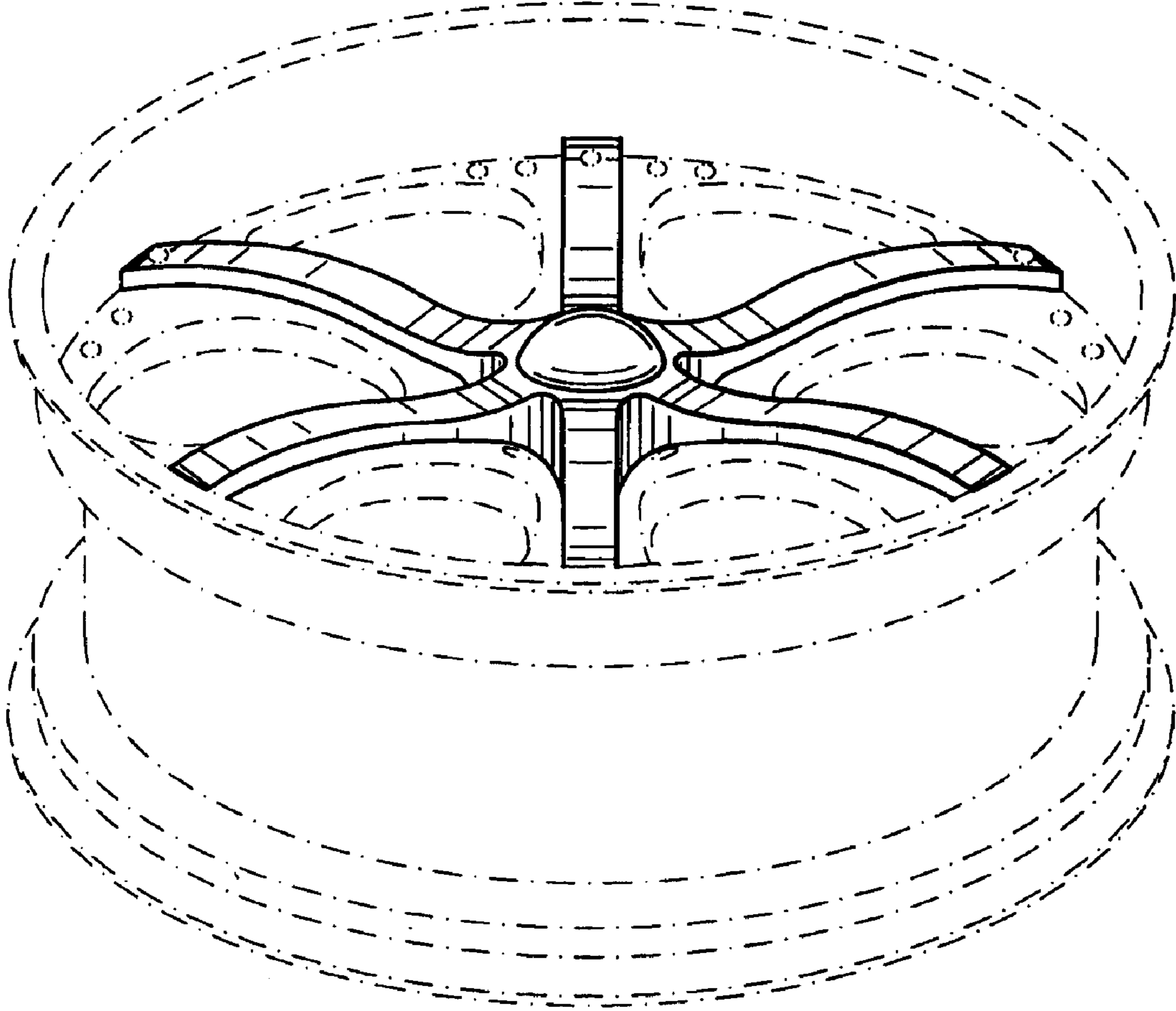


Fig. 2