



US00D536651S

(12) **United States Design Patent**
Polka

(10) **Patent No.:** **US D536,651 S**

(45) **Date of Patent:** **** Feb. 13, 2007**

(54) **STEP FOR TUBULAR BARS ON A TRUCK OR SUV**

D364,597 S * 11/1995 Branch D12/203
D384,020 S * 9/1997 Snyder et al. D12/203
D389,588 S * 1/1998 Dunk D25/69

(76) Inventor: **John G. Polka**, 1335 Margate,
Libertyville, IL (US) 60048

* cited by examiner

(**) Term: **14 Years**

Primary Examiner—Stacia Cadmus

(74) *Attorney, Agent, or Firm*—Robert L. Marsh

(21) Appl. No.: **29/219,659**

(57) **CLAIM**

(22) Filed: **Dec. 20, 2004**

The ornamental design for a step for tubular bars on a truck or SUV, as shown and described.

(51) **LOC (8) Cl.** **12-16**

(52) **U.S. Cl.** **D12/203**

(58) **Field of Classification Search** D12/203,
D12/400; D25/68–69; 52/179–180, 718.03,
52/718.04; 280/163.166, 169, 163, 164.1–164.2,
280/414.1–414.3, 847–848; 248/214; 182/92
See application file for complete search history.

DESCRIPTION

FIG. 1 is a front perspective view of a step for tubular bars on a truck or SUV showing my new design, shown in its position of use;

FIG. 2 is an enlarged top perspective view thereof;

FIG. 3 is an enlarged bottom perspective view thereof;

FIG. 4 is an enlarged top plan view thereof;

FIG. 5 is an enlarged end view thereof, it being understood that the opposite end is a mirror image thereof;

FIG. 6 is an enlarged side view thereof;

FIG. 7 is an enlarged bottom plan view thereof; and,

FIG. 8 is an enlarged side view thereof, showing that side opposite of the shown in FIG. 6.

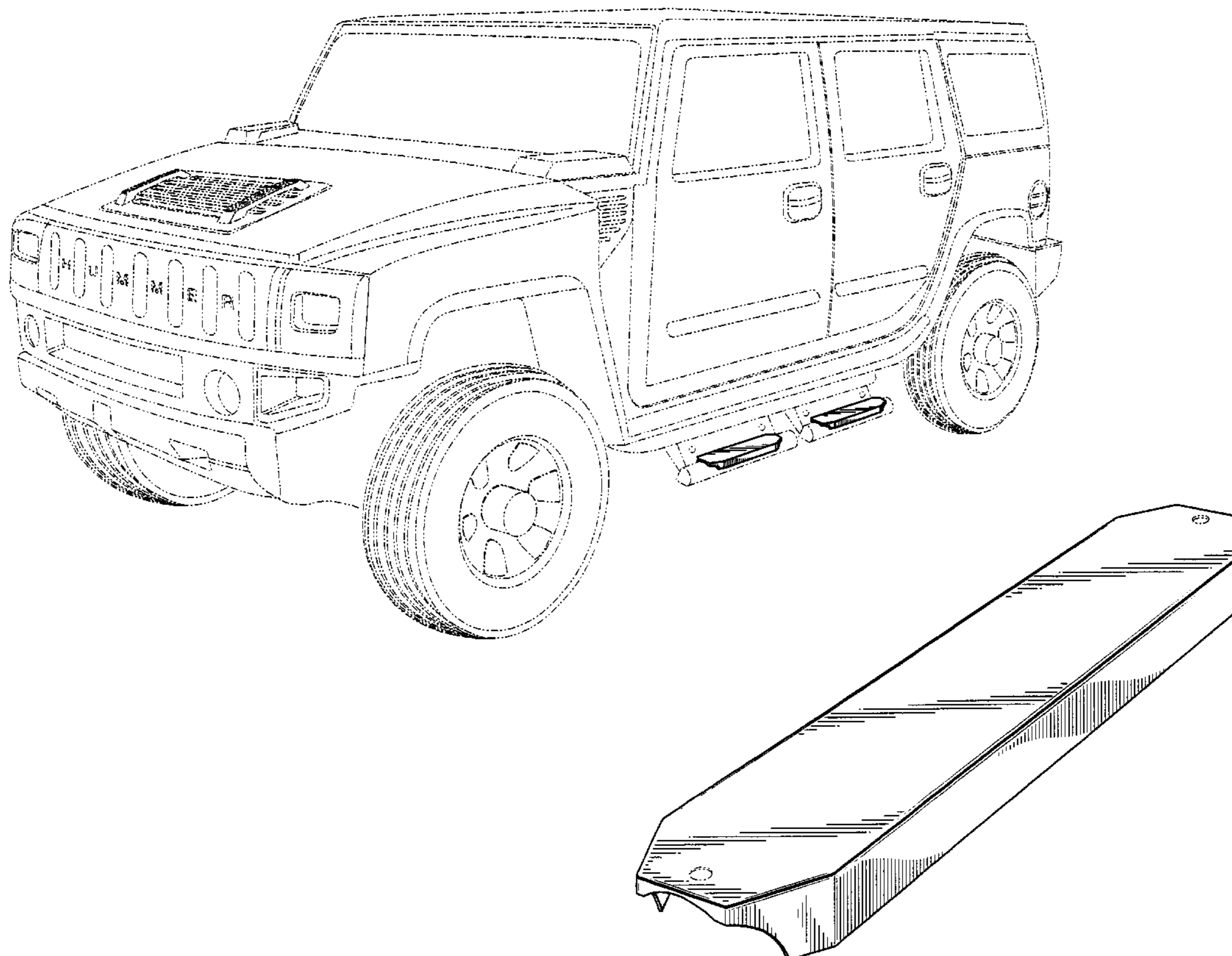
The broken line showing environment is for illustrative purposes only and forms no part of the claimed design.

(56) **References Cited**

U.S. PATENT DOCUMENTS

1,178,723 A * 4/1916 Hudson 280/169
1,294,904 A * 2/1919 Hayne 280/169
1,334,565 A * 3/1920 Spiro 280/169
3,093,216 A * 6/1963 Dunham 52/180
D258,839 S * 4/1981 Broyles D25/69
D281,106 S * 10/1985 Thomas et al. D25/68
4,721,319 A * 1/1988 Dale 280/169
D328,448 S * 8/1992 Gamauf D12/203

1 Claim, 3 Drawing Sheets



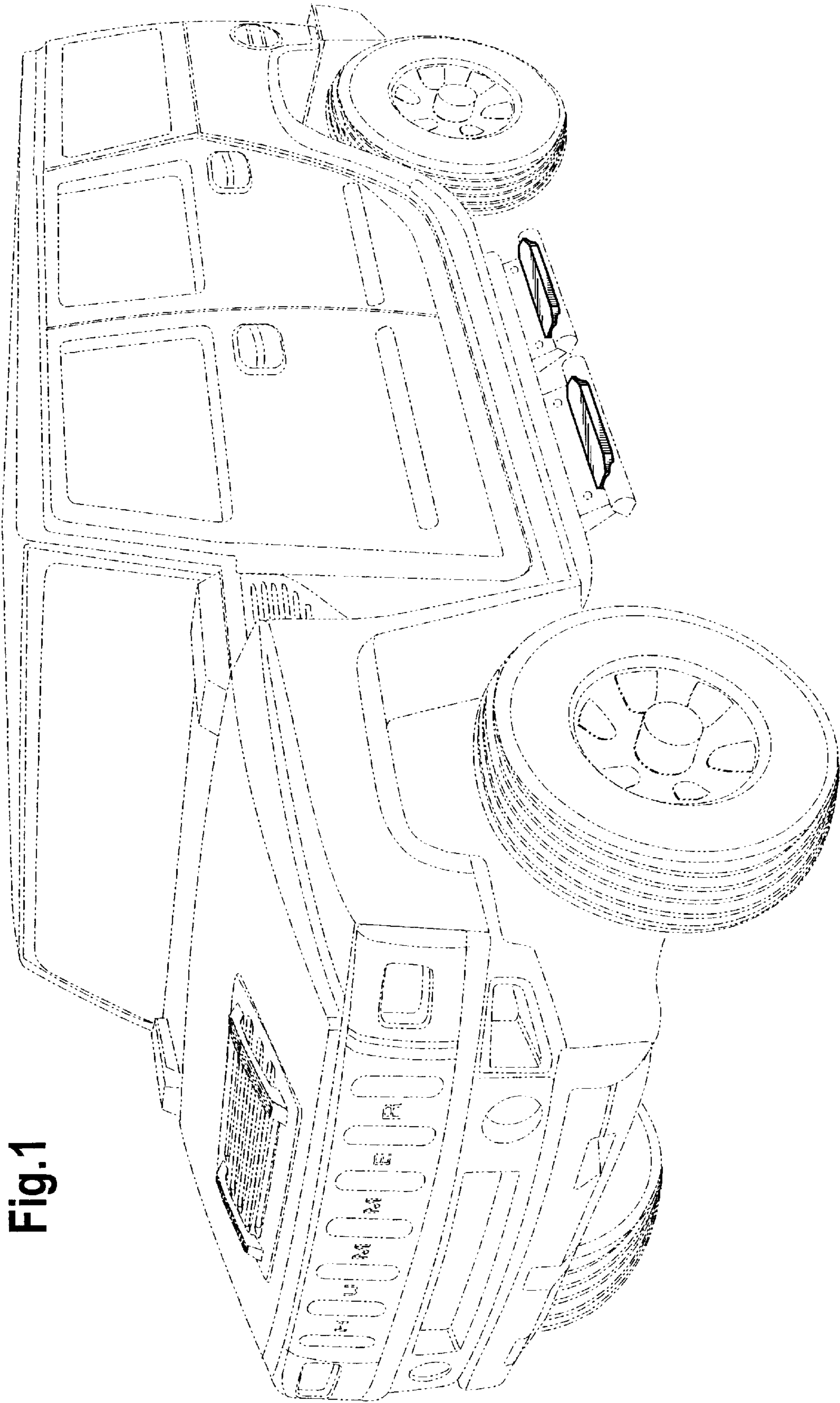


Fig.1

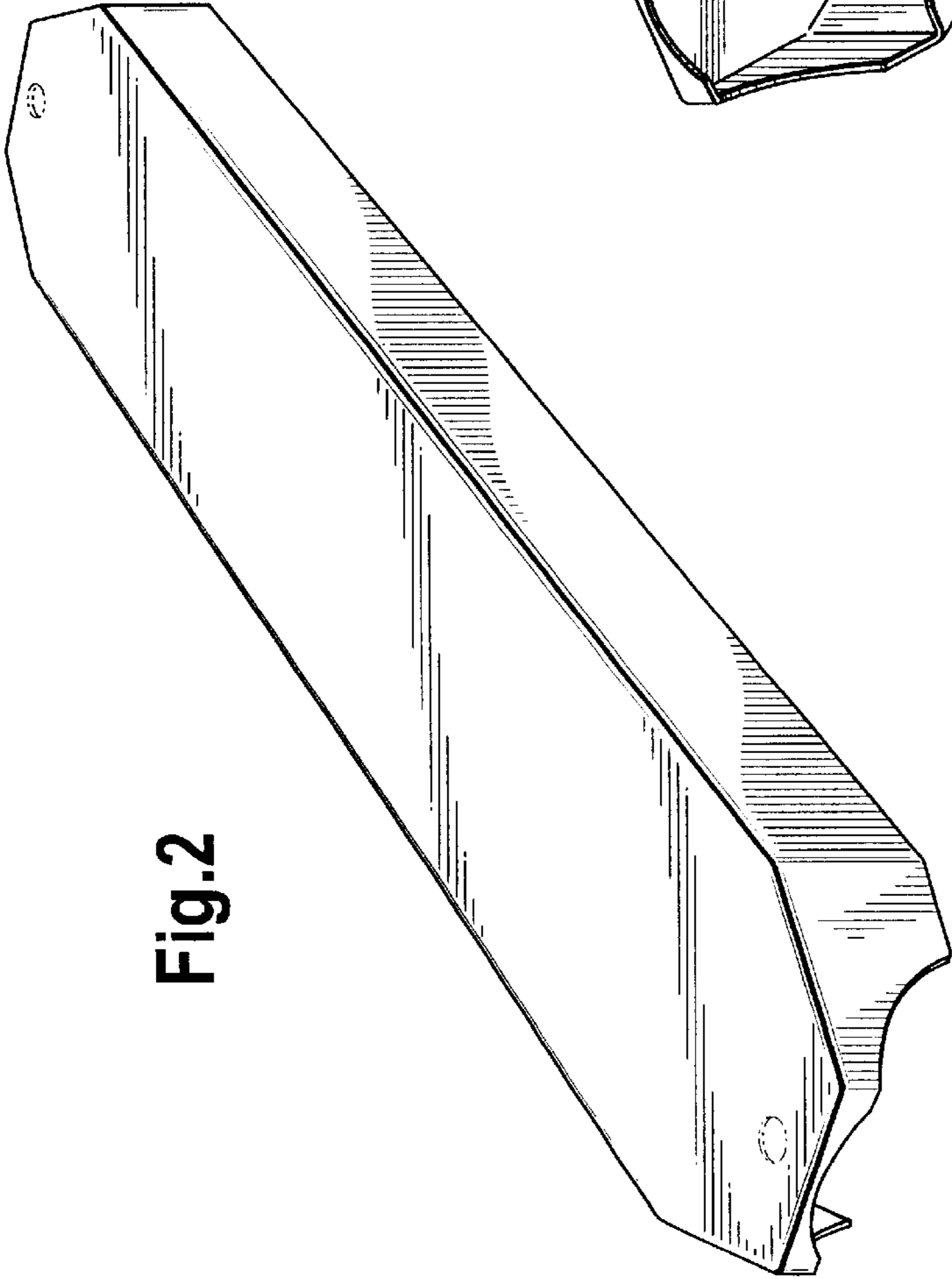


Fig. 2

Fig. 3

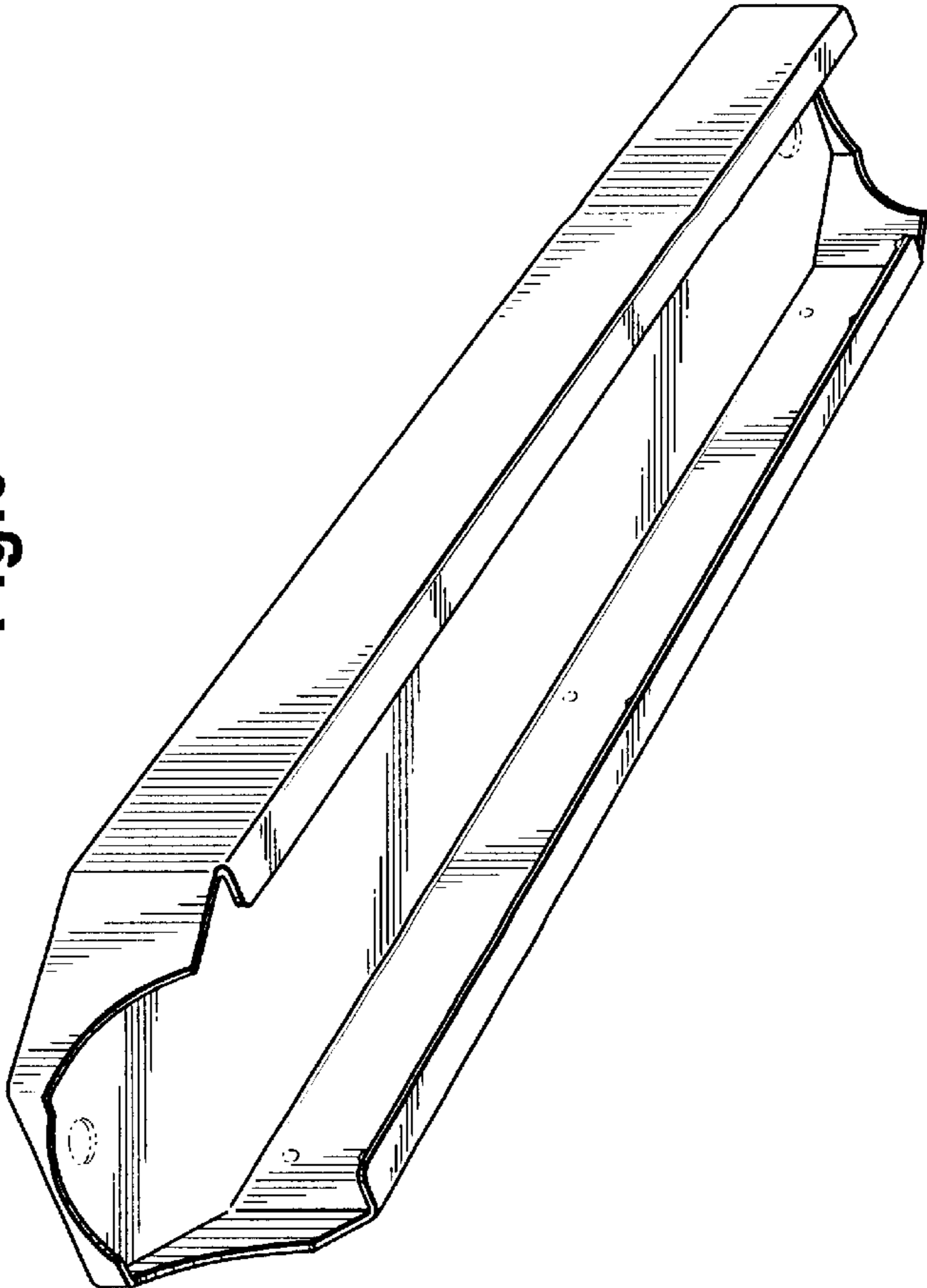


Fig.4

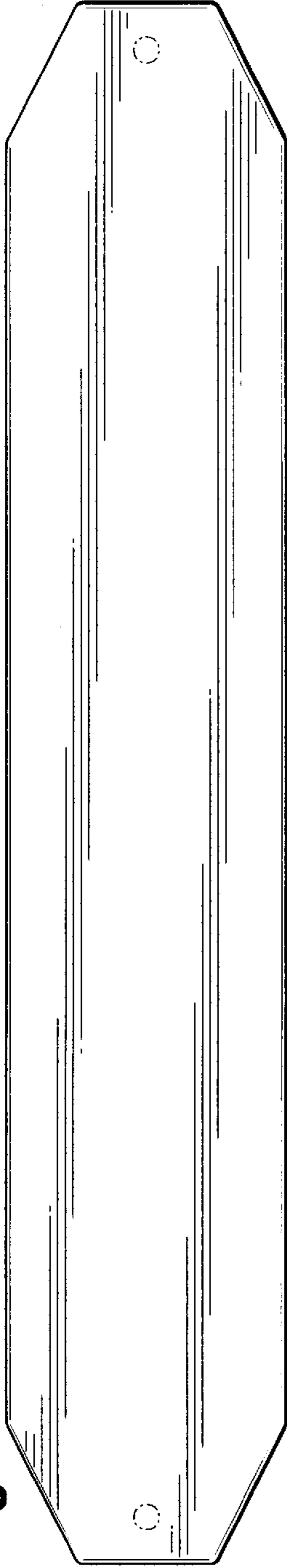


Fig.5

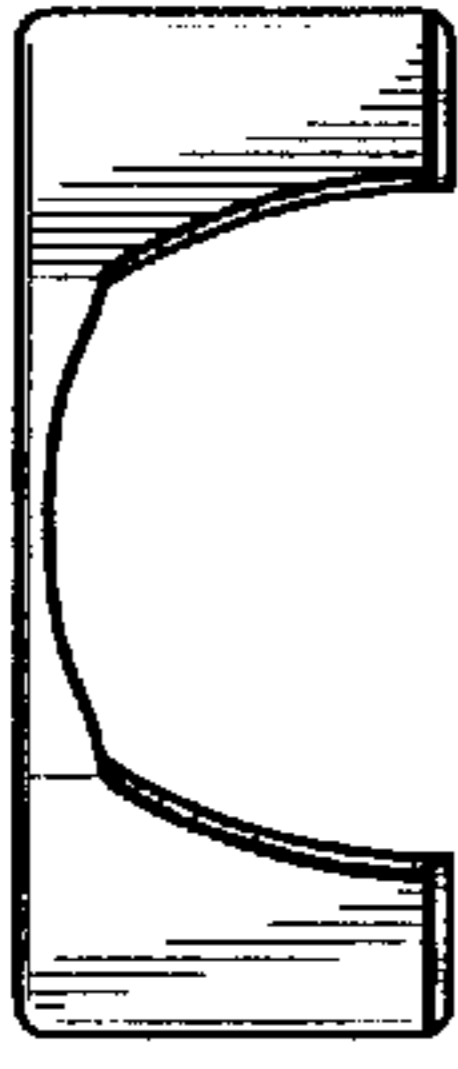


Fig.6

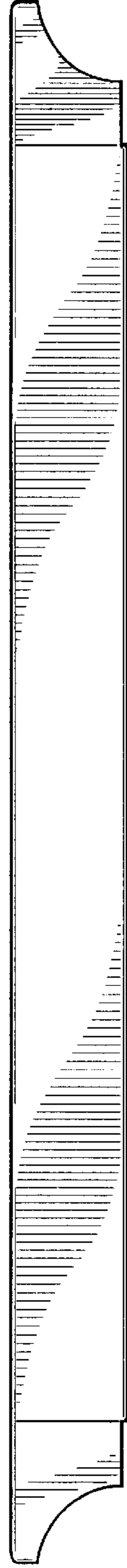


Fig.7

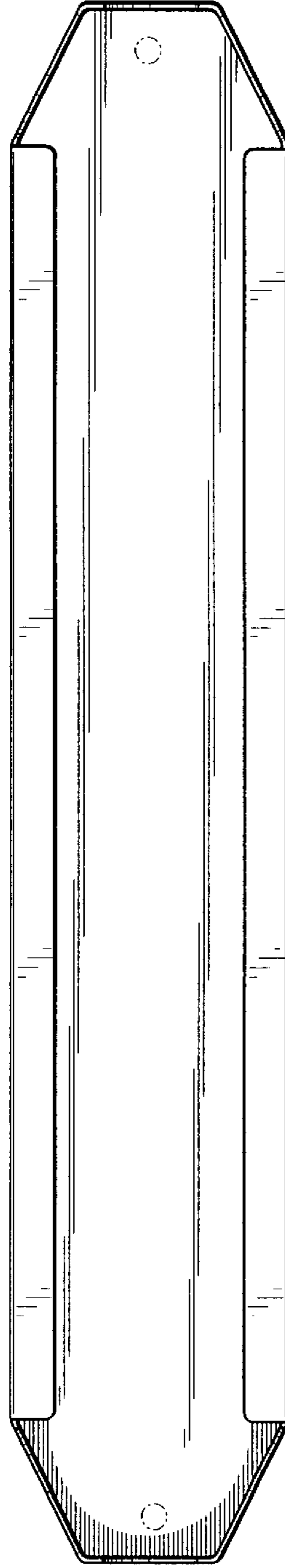


Fig.8

