



US00D536650S

(12) **United States Design Patent**
Young et al.

(10) **Patent No.:** **US D536,650 S**

(45) **Date of Patent:** **** Feb. 13, 2007**

(54) **DOOR PANEL OF A TRUCK VEHICLE**

D409,543 S	5/1999	Sutton et al.	
D409,965 S	5/1999	Mueller et al.	
D463,343 S	* 9/2002	Siegert	D12/195
D467,211 S	* 12/2002	Pfeiffer et al.	D12/195
D519,429 S	* 4/2006	Miyashita	D12/195
D521,917 S	* 5/2006	Takagi et al.	D12/195

(75) Inventors: **Bryan Young**, Fort Wayne, IN (US);
Richard B. Hatch, Fort Wayne, IN (US)

(73) Assignee: **International Truck And Engine Corporation Canada**, Warrenville, IL (US)

(**) Term: **14 Years**

(21) Appl. No.: **29/232,373**

(22) Filed: **Jun. 16, 2005**

(51) **LOC (8) Cl.** **12-08**

(52) **U.S. Cl.** **D12/195**

(58) **Field of Classification Search** D12/195,
D12/190; 49/501-502; 296/37.1, 37.13, 149,
296/153, 146.1

See application file for complete search history.

(56) **References Cited**

U.S. PATENT DOCUMENTS

D387,024 S * 12/1997 Hellhake et al. D12/195

* cited by examiner

Primary Examiner—Stacia Cadmus

(74) *Attorney, Agent, or Firm*—Jeffrey P. Calfa; Gerald W. Askew; Dennis K. Sullivan

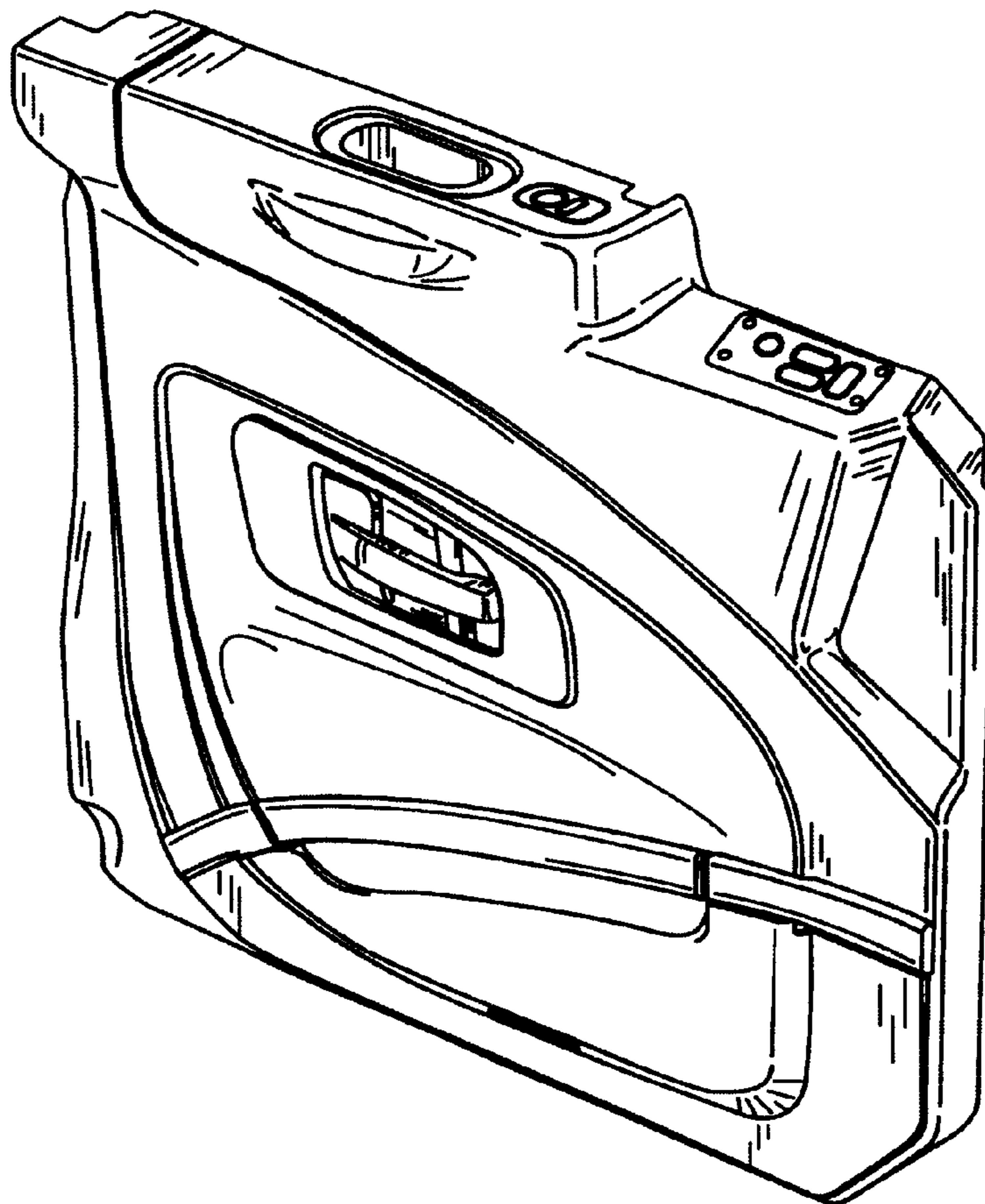
(57) **CLAIM**

The ornamental design for a door panel of a truck vehicle, as shown and described.

DESCRIPTION

FIG. 1 is a left, front perspective view of a door panel of a truck vehicle showing our new design;
FIG. 2 is a front view thereof;
FIG. 3 is a top down view thereof,
FIG. 4 is a right view thereof; and,
FIG. 5 is a left view thereof.

1 Claim, 2 Drawing Sheets



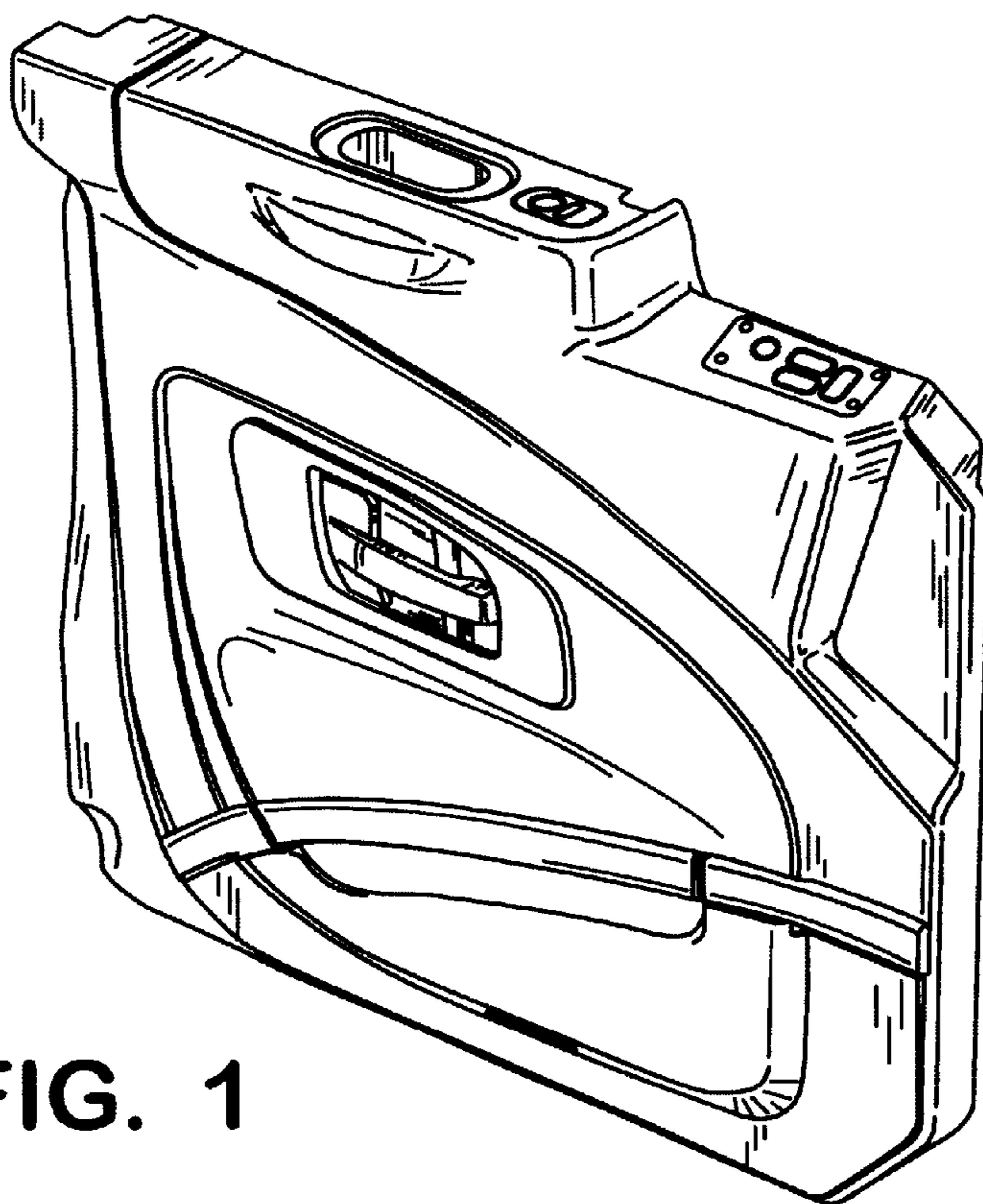


FIG. 1

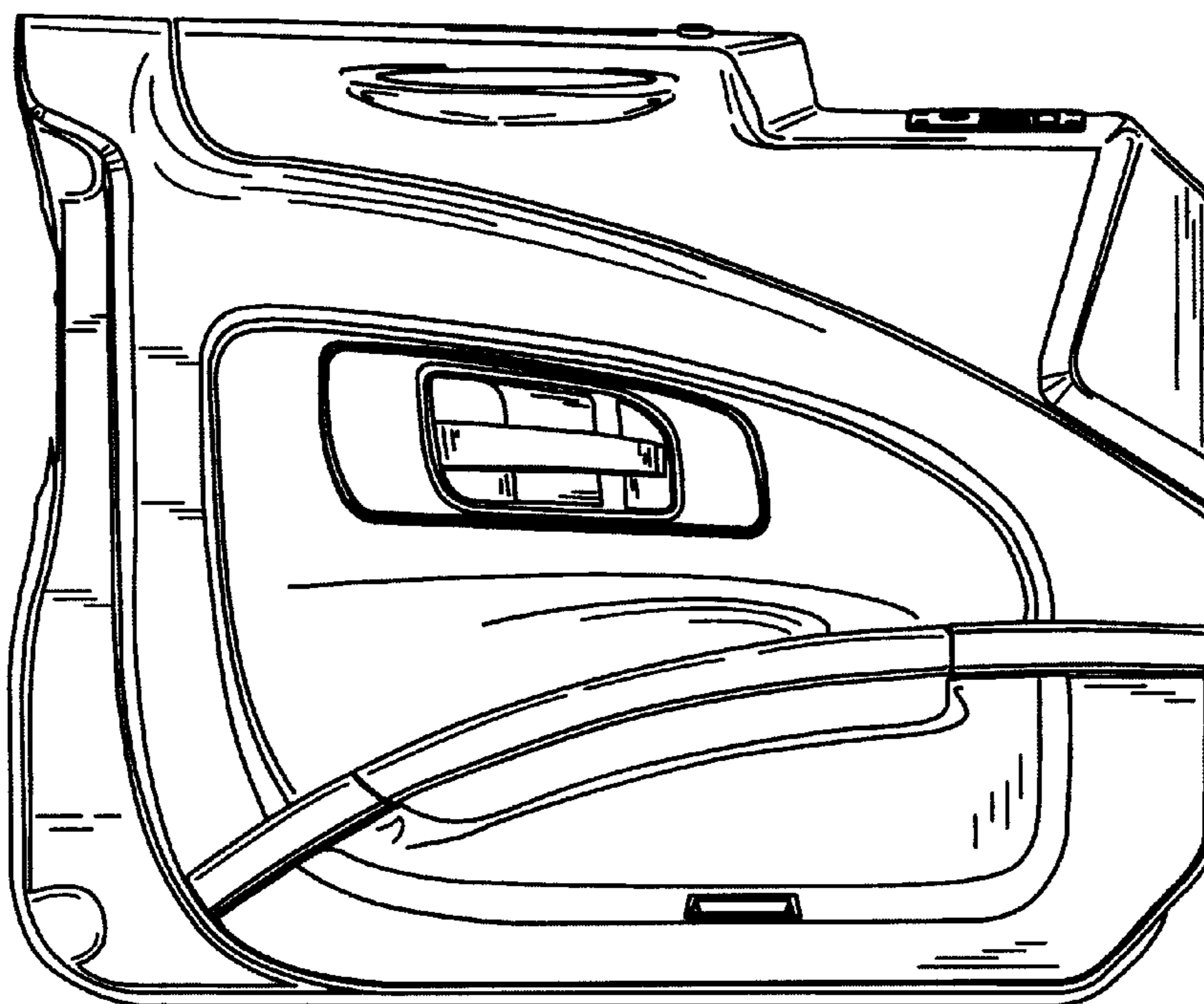


FIG. 2



FIG. 3

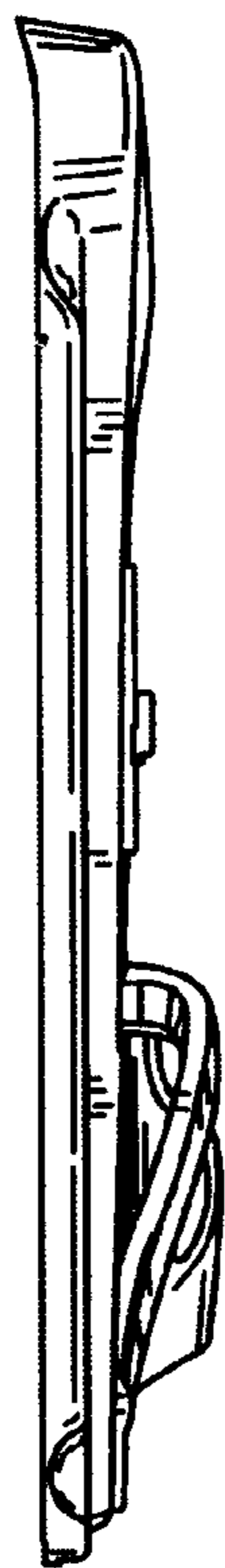


FIG. 4

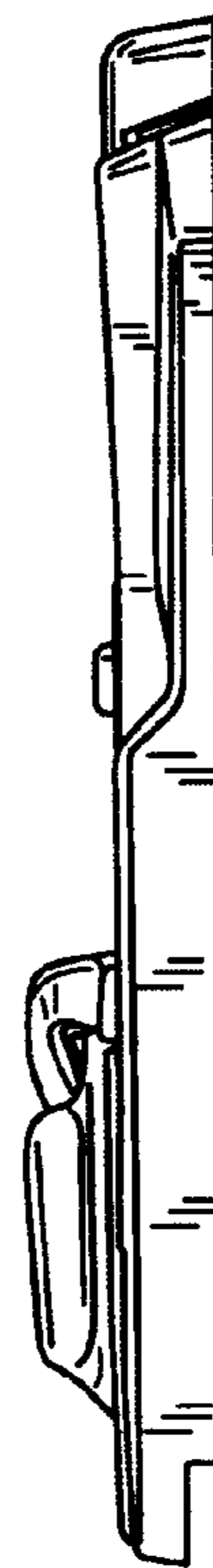


FIG. 5