

US00D536649S

(12) **United States Design Patent**  
**Monson et al.**

(10) **Patent No.:** **US D536,649 S**

(45) **Date of Patent:** **\*\* Feb. 13, 2007**

(54) **MUFFLER ASSEMBLY HOUSING**

D467,846 S \* 12/2002 McGee ..... D12/194

(75) Inventors: **Robert J. Monson**, St. Paul, MN (US);  
**Jianhua Yan**, Prior Lake, MN (US);  
**Douglas H. Azinger**, Prior Lake, MN  
(US)

\* cited by examiner

*Primary Examiner*—Doris Clark  
*Assistant Examiner*—Michael Pratt

(73) Assignee: **Lockheed Martin Corporation**,  
Bethesda, MD (US)

(74) *Attorney, Agent, or Firm*—Hamre, Schumann Mueller  
& Larson, P.C.

(\*\*) Term: **14 Years**

(57) **CLAIM**

The ornamental design for a muffler assembly housing, as shown and described.

(21) Appl. No.: **29/252,850**

**DESCRIPTION**

(22) Filed: **Jan. 27, 2006**

(51) **LOC (8) Cl.** ..... **12-16**

(52) **U.S. Cl.** ..... **D12/194**

(58) **Field of Classification Search** ..... D12/194;  
293/113; 181/227, 228, 247–249, 264, 282,  
181/239–241; D15/5; 138/37–39, 44, 103,  
138/109

FIG. 1 is a perspective view of a muffler assembly housing according to our new design;

FIG. 2 is a top plan view thereof;

FIG. 3 is a front elevation view thereof;

FIG. 4 is a right side elevation view thereof;

FIG. 5 is a back side elevation view thereof;

FIG. 6 is a left plan view of thereof; and,

FIG. 7 is a bottom plan view thereof.

See application file for complete search history.

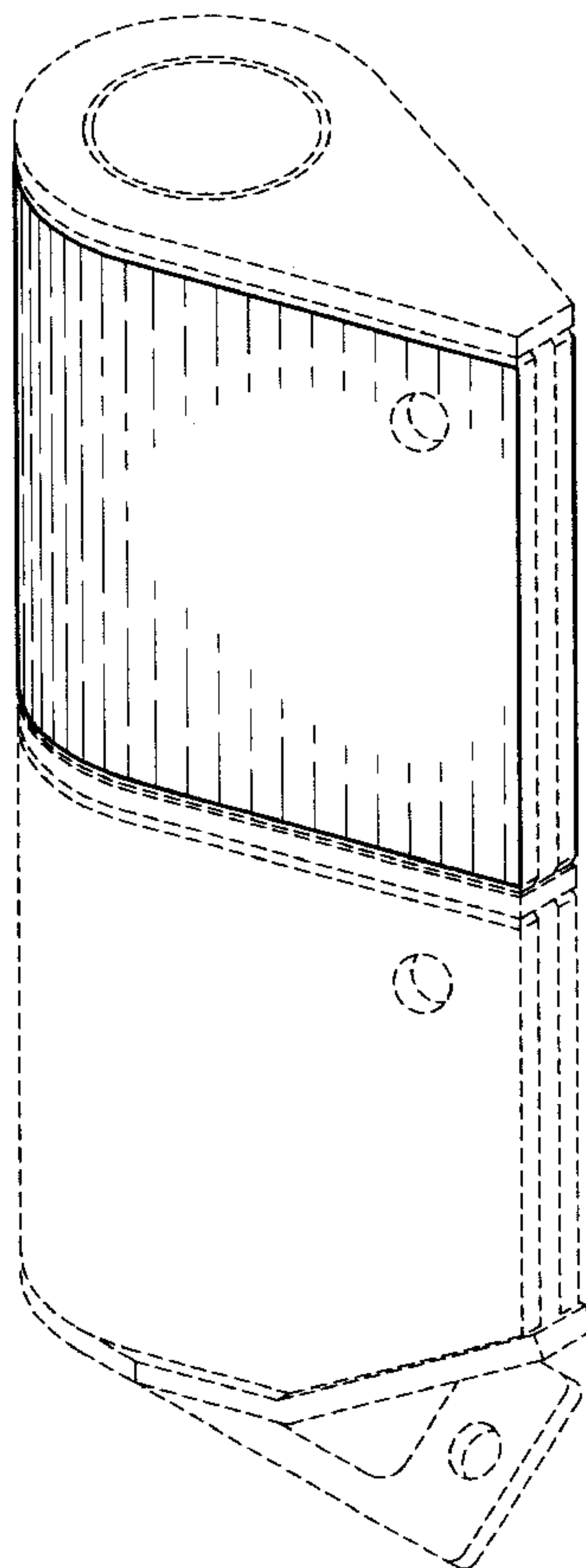
The broken lines in the drawings are for illustrative purposes only and form no part of the claimed design.

(56) **References Cited**

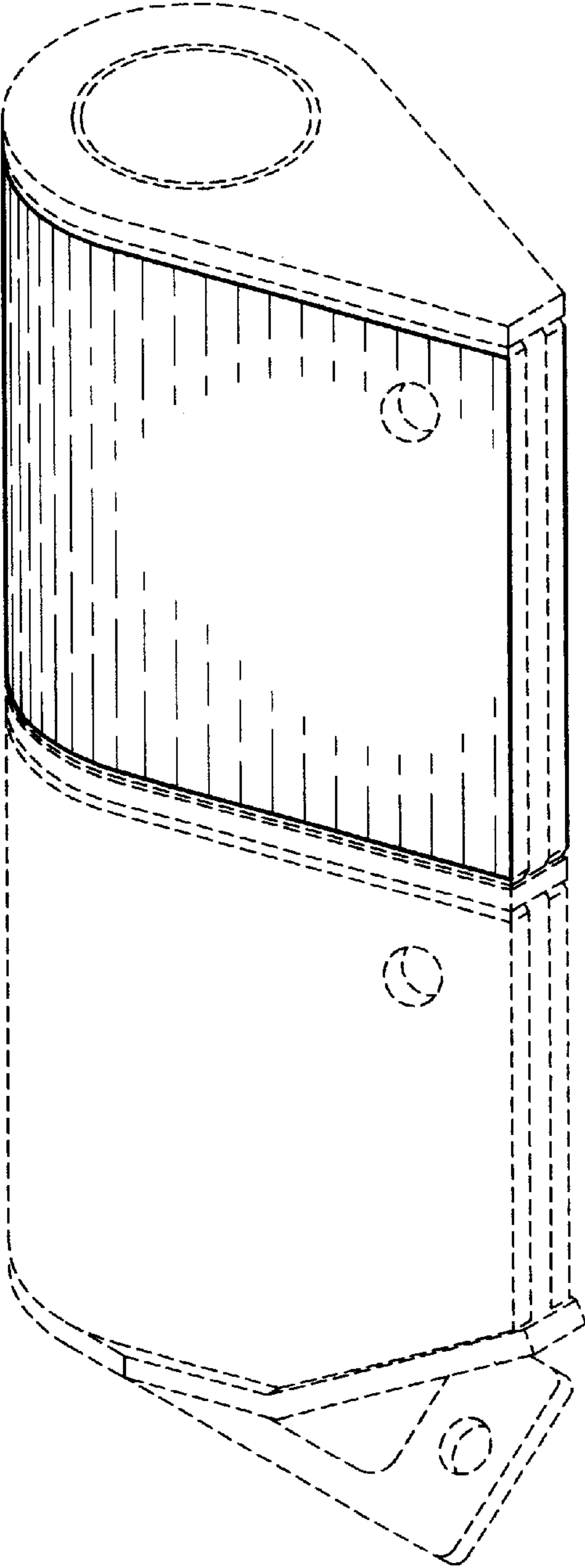
**U.S. PATENT DOCUMENTS**

6,382,347 B1 \* 5/2002 Gerber ..... 181/227

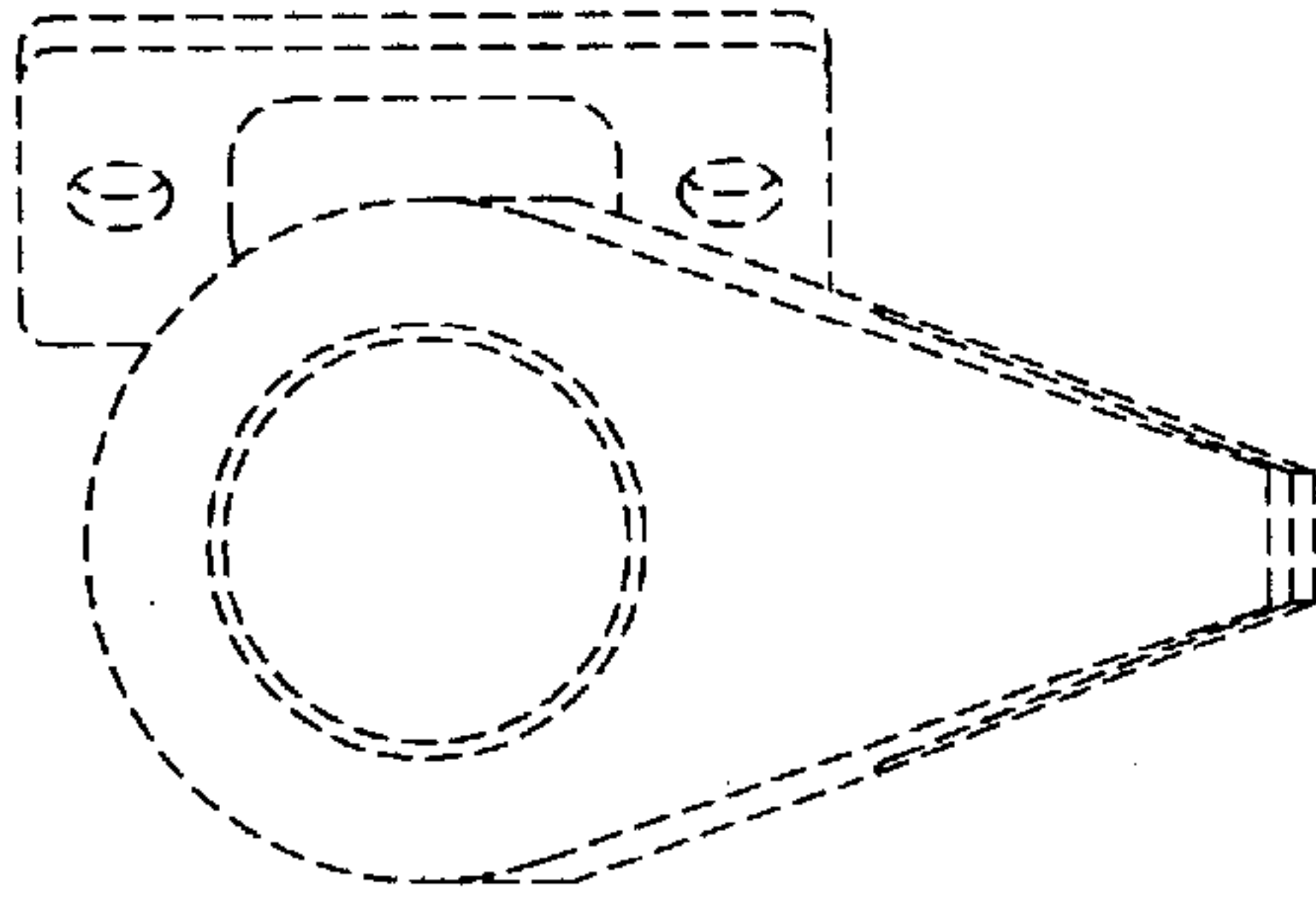
**1 Claim, 3 Drawing Sheets**



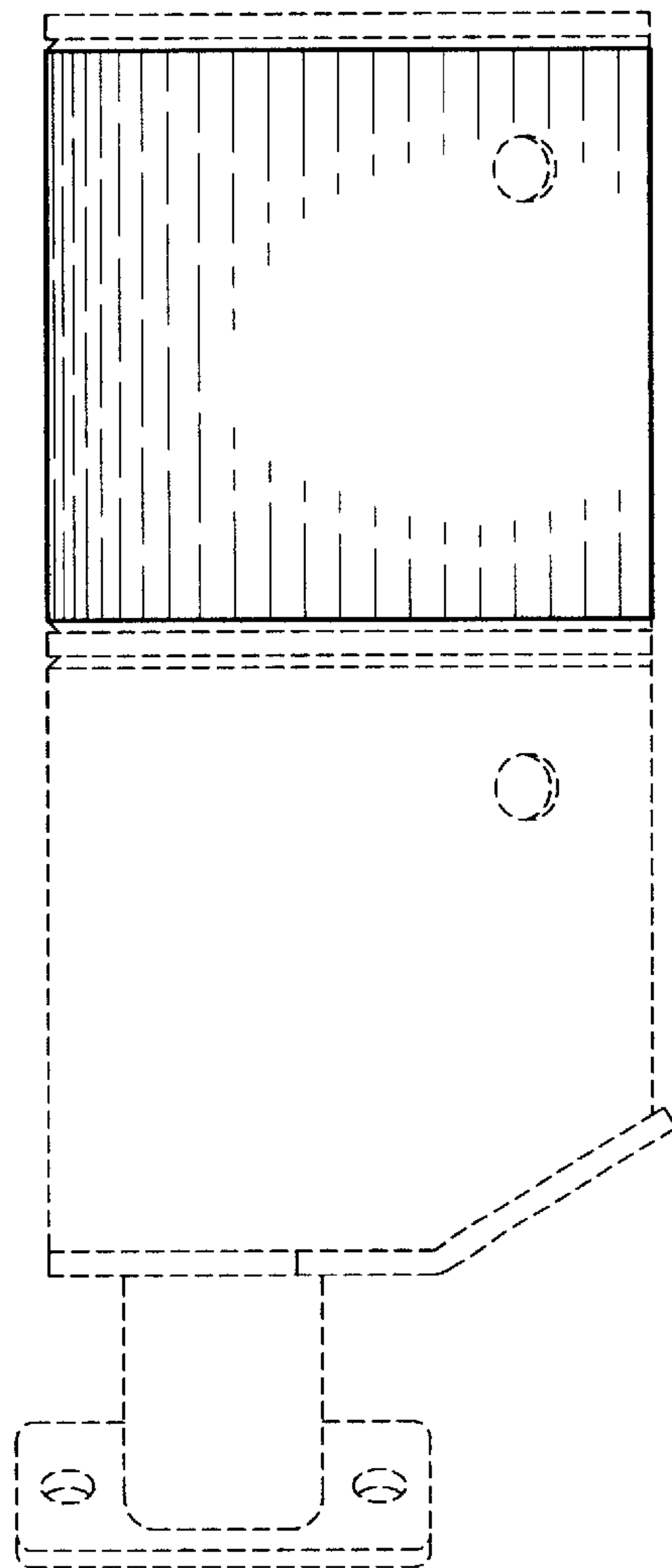
*Fig. 1*



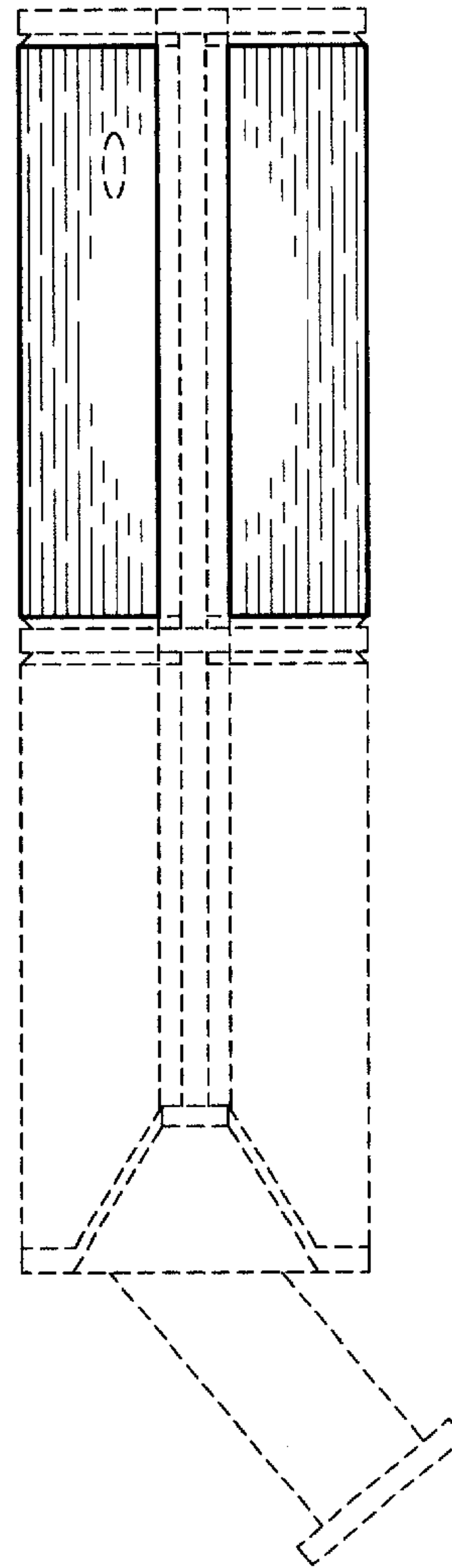
*Fig. 2*



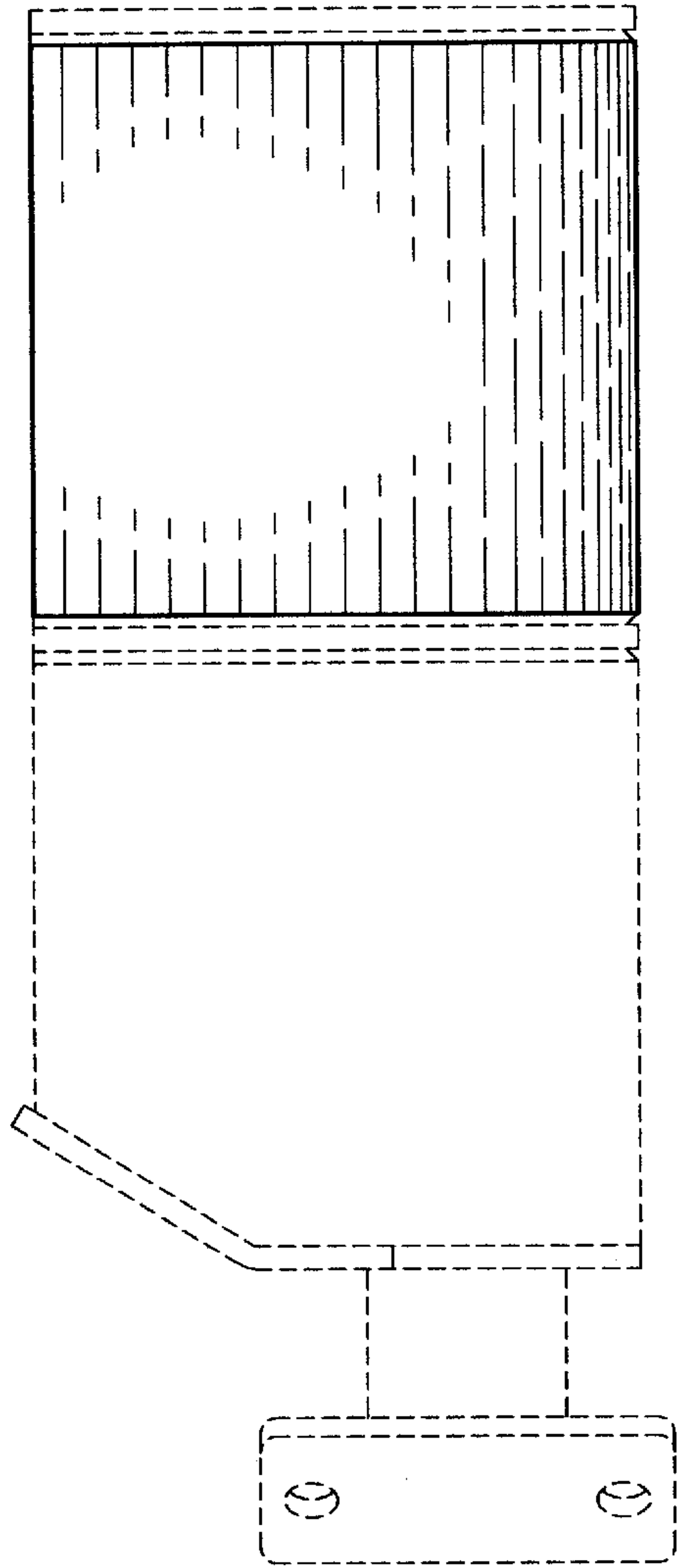
*Fig. 3*



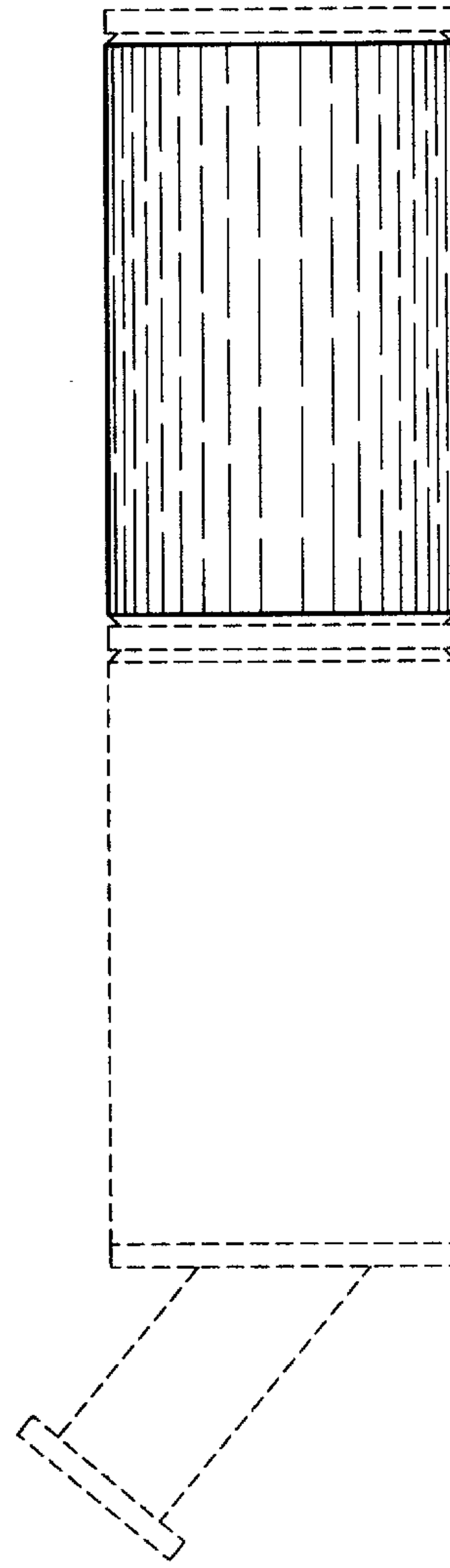
*Fig. 4*



*Fig. 5*



*Fig. 6*



*Fig. 7*

